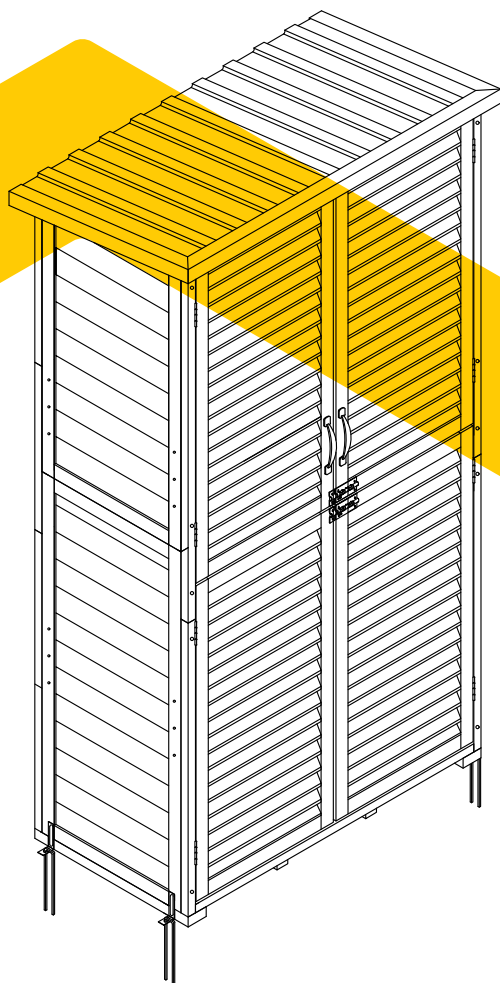


INSTRUCTION MANUAL

AIR 7012-W-LX





NOTICE

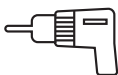
Please keep this manual for future reference.

- Firmly tighten all bolts, screws, and knobs before use.
- Check all bolts, screws, and knobs every 90 days to ensure they remain secure.
- During assembly, fasten screws loosely at first. Do not fully tighten until the entire unit is assembled.
- Do not use or store this product near open flames or flammable materials.
- Some parts may be heavy or have sharp edges—use caution.
- Moving parts may cause injury, pinching, or cuts—handle with care.
- If any parts are missing, broken, or damaged, discontinue use until repairs or replacements are made.
- Use this product only as described in the instructions. Improper use may void the warranty.

TOOLS REQUIRED //



Phillips
screwdriver



Drill
(recommended)



Two-person assembly
recommended



Estimated assembly
time: 80 minutes

HARDWARE //

M6.0 x 35 mm bolt
30 pcs + 1 spare



P1

M6.0 x 20 mm bolt
4 pcs + 1 spare



P2

M5.0 x 30 mm bolt
8 pcs + 1 spare



P3

M3.5 x 45 mm screw
12 pcs + 1 spare



P4

M3.5 x 40 mm screw
6 pcs + 1 spare



P5

M3.5 x 35 mm screw
4 pcs + 1 spare



P6

M3.5 x 20 mm screw
8 pcs + 1 spare



P7

M3.0 x 32 mm screw
8 pcs + 1 spare



P8

HARDWARE

M3.0 x 30 mm screw

12 pcs + 1 spare



P9

M3.0 x 23 mm screw

2 pcs + 1 spare



P10

M3.0 x 16 mm screw

18 pcs + 1 spare



P11

Magnetic catch

2 pcs



P12

Magnetic door contact

2 pcs



P13

Handle

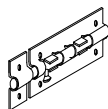
2 pcs



P14

Latch

2 pcs



P15

Shelf bracket

8 pcs



P16

Floor bracket

4 pcs



P17

Landscape staple

4 pcs



P18

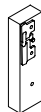
HARDWARE

Carriage bolt
4 pcs



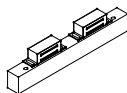
P19

Latch with wooden board
1 pc



P20

Magnetic catch
1 pc



P21

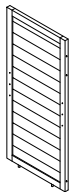
M4.0 x 28 mm bolt
4 pcs + 1 spare



P22

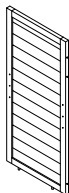
PARTS

Lower right side panel
1 pc



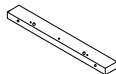
A

Lower left side panel
1 pc



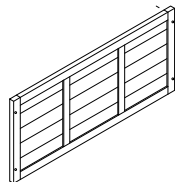
B

Connection strip
2 pcs



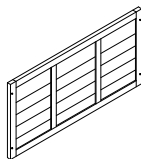
C

Lower back panel
2 pcs



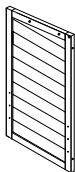
D

Upper/middle back panel
2 pcs



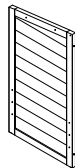
E

Upper left side panel
1 pc



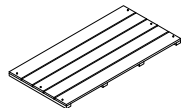
F

Upper right side panel
1 pc



G

Bottom panel
1 pc



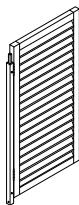
H

Wooden block
4 pcs



I

Front lower left panel
1 pc



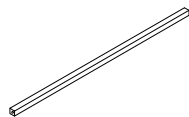
J

Front lower right panel
1 pc



K

Bottom connection strip
1 pc



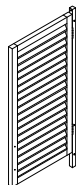
L

Front upper left panel
1 pc



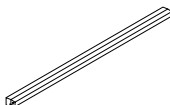
M

Front upper right panel
1 pc



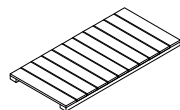
N

Top connection strip
1 pc



O

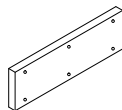
Shelf
2 pcs



P

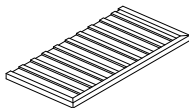
PARTS //

Positioning bar
2 pcs



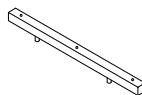
Q

Top panel
1 pc



R

Positioning strip
2 pcs

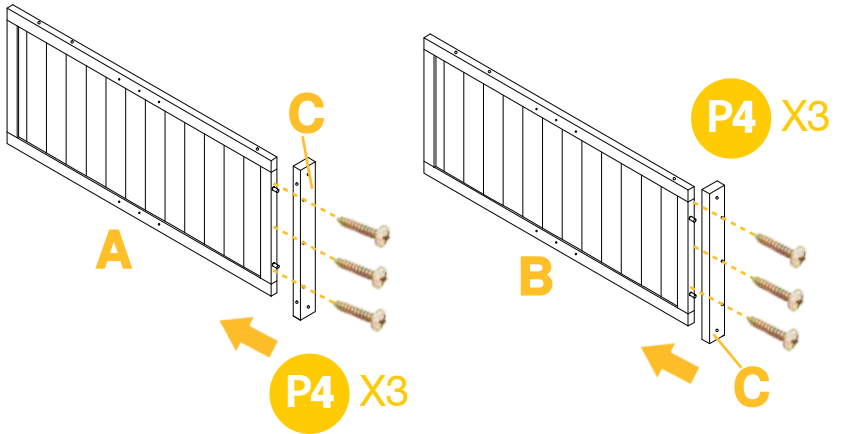


S

PRODUCT ASSEMBLY //

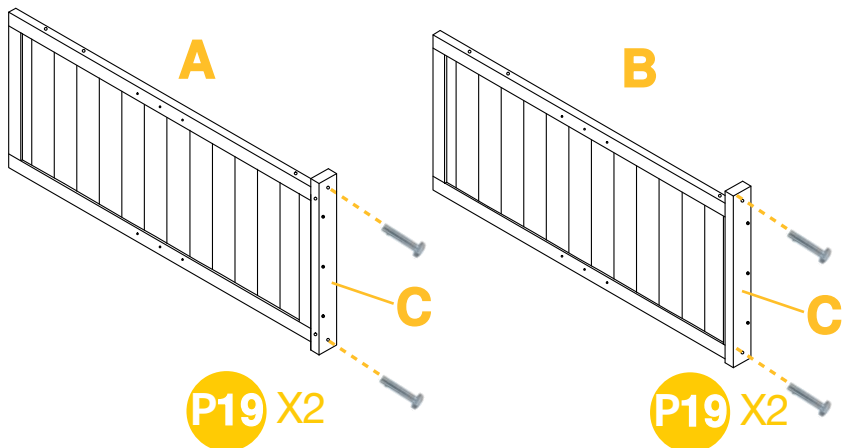
01

Connect each C to A and B using 3x P4 screws.



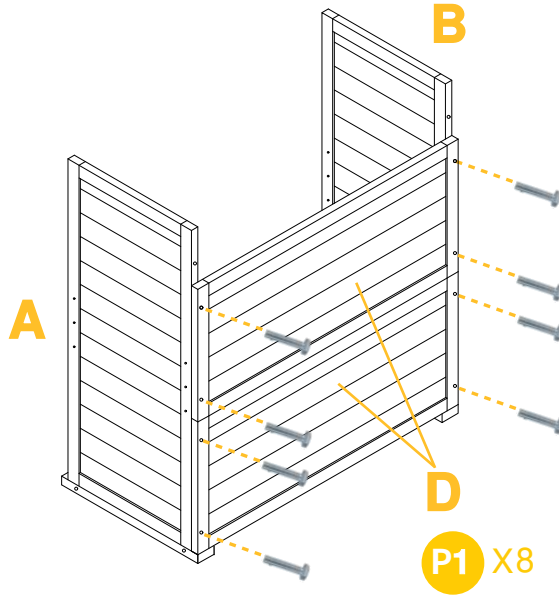
02

Fasten each C with 2x P19 carriage bolts.

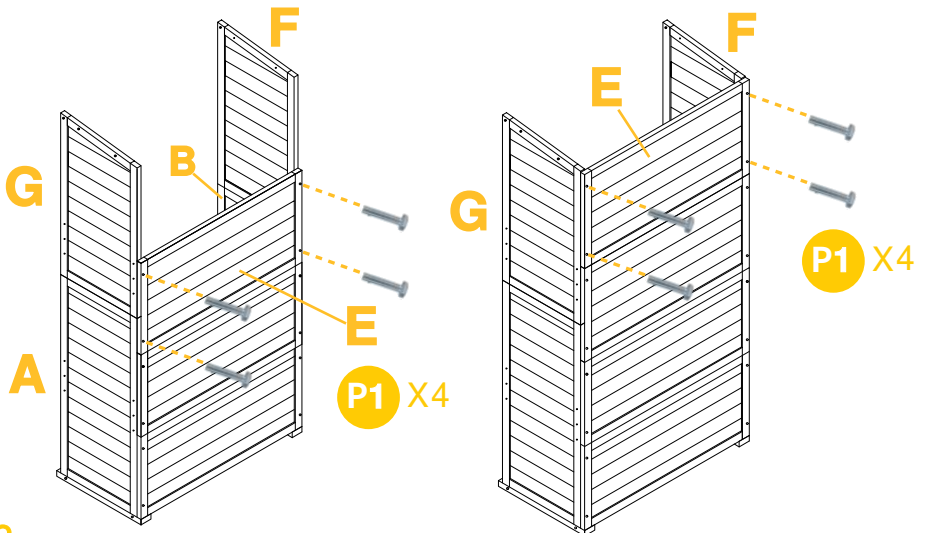


PRODUCT ASSEMBLY //

03 Attach D to A and B using 8x P1 bolts.

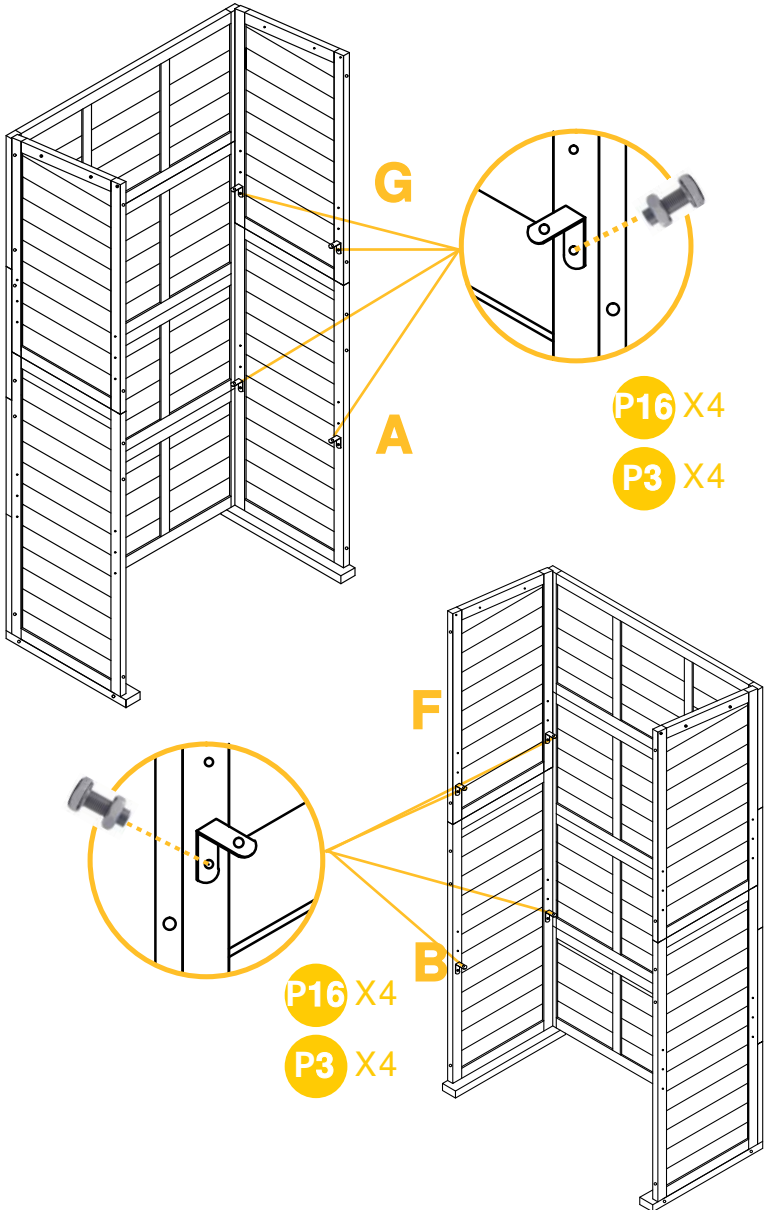


04 Attach E to A, B, G, and F using 4x P1 bolts. Then, attach another E to G and F using 4x P1 bolts.



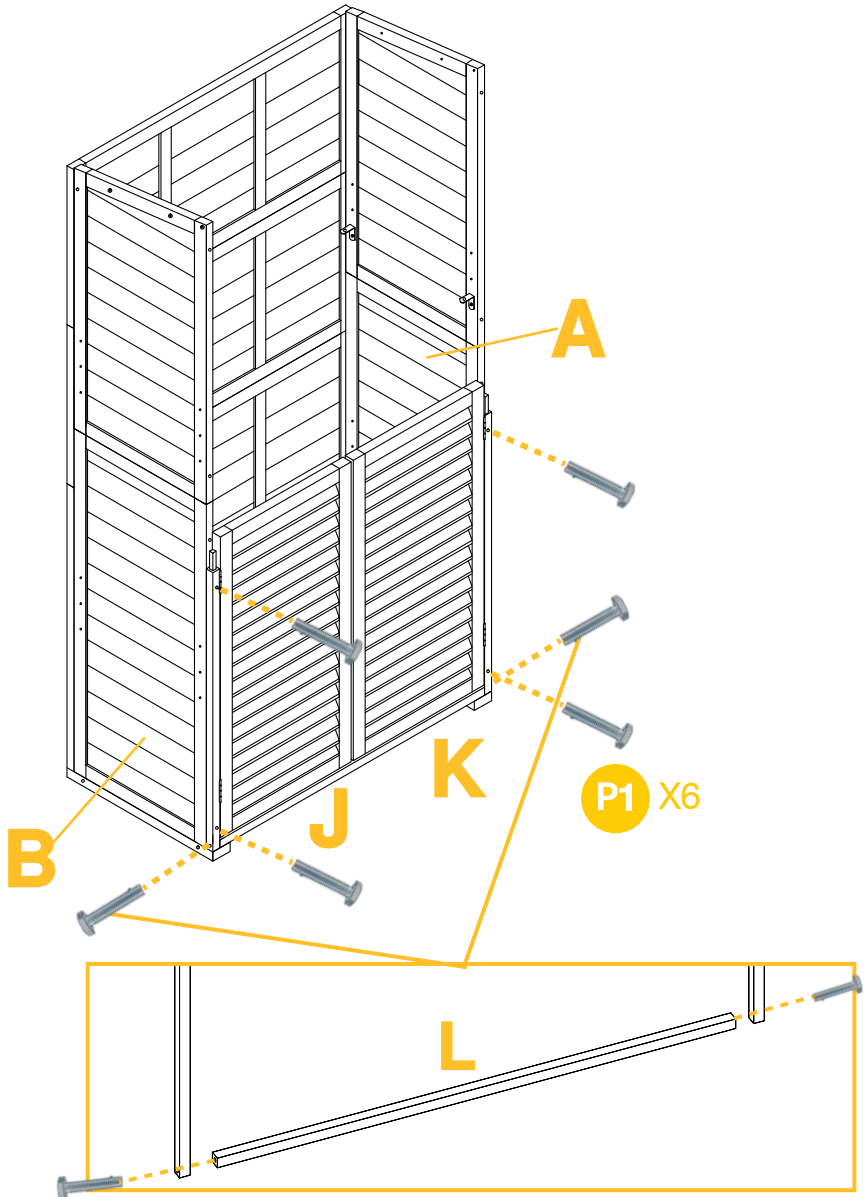
PRODUCT ASSEMBLY //

05 Attach 2x P16 shelf brackets to each of G, A, F, and B using a total of 8x P3 bolts.



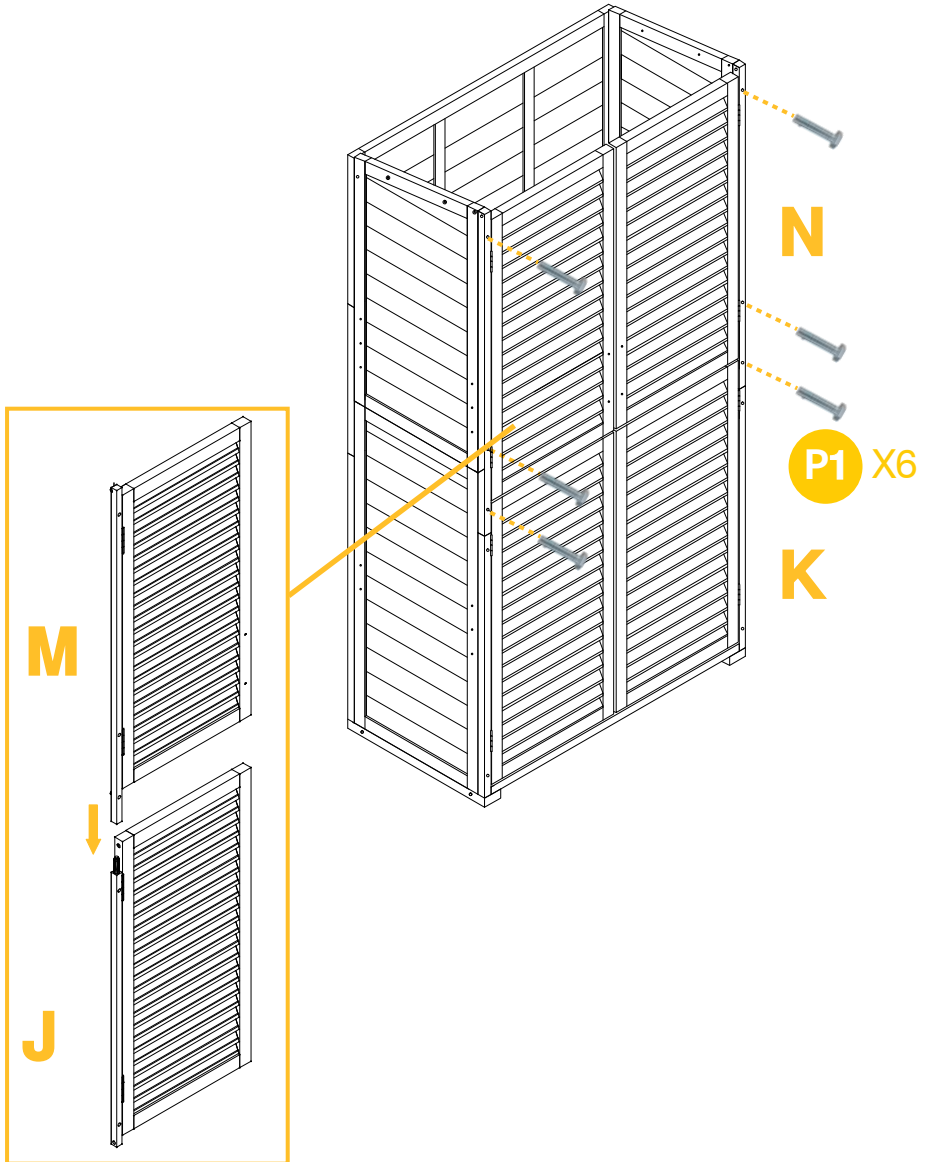
PRODUCT ASSEMBLY

06 Secure J and K to A and B with 4x P1 bolts. Then, install L with 2x P1 bolts.



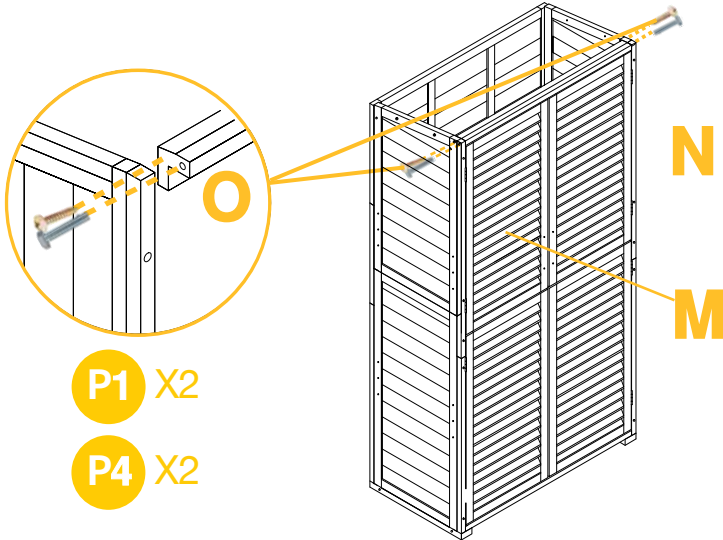
PRODUCT ASSEMBLY //

07 Insert M into J, and N into K. Then, use 6x P1 bolts to secure both M and N.

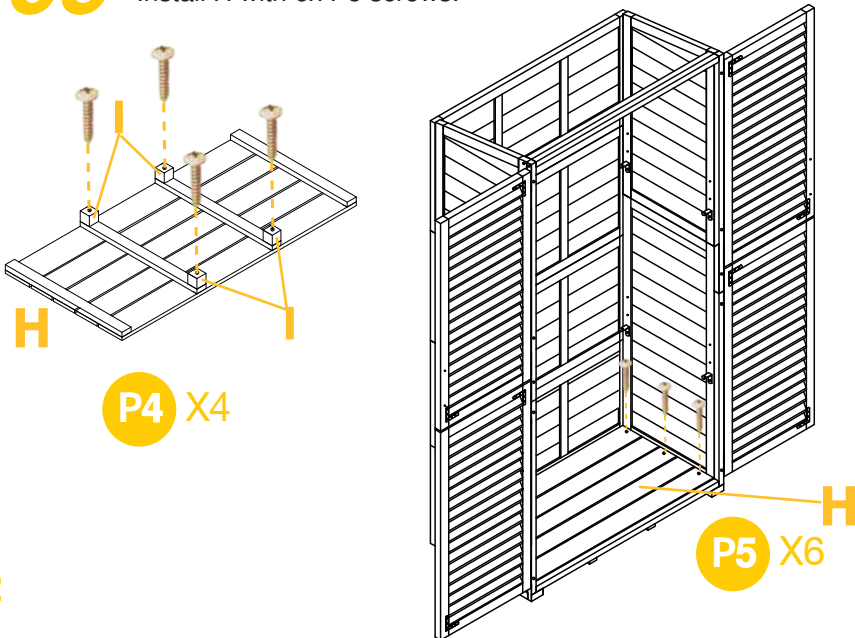


PRODUCT ASSEMBLY //

08 Attach O to M and N using 2x P1 bolts and 2x P4 screws.

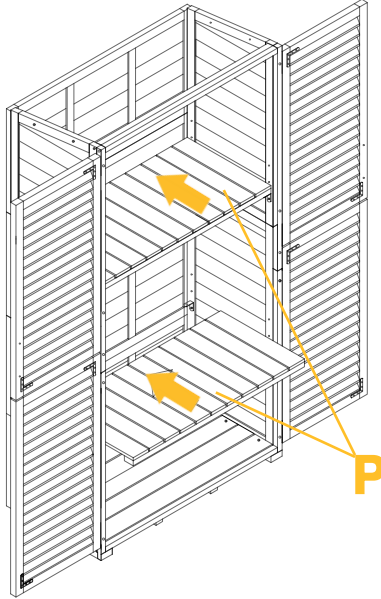


09 Attach 4x I to H using 4x P4 screws. Install H with 6x P5 screws.

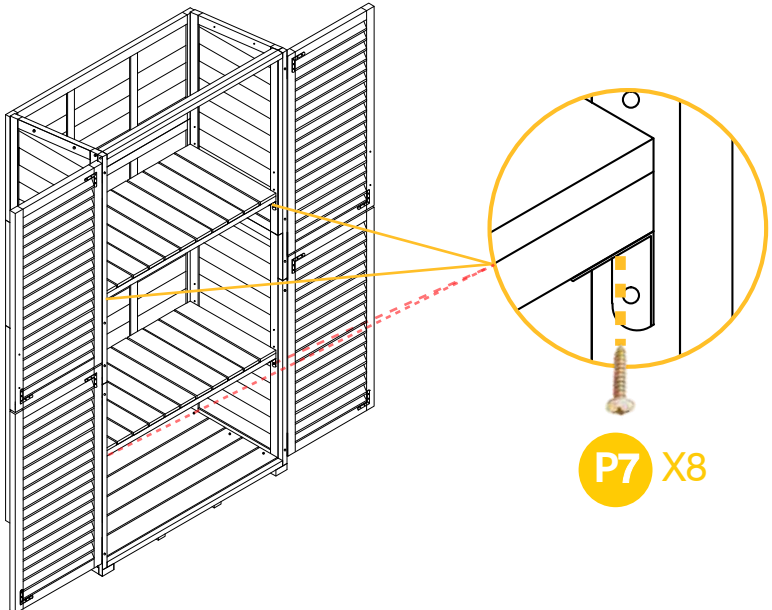


PRODUCT ASSEMBLY //

10 Insert 2x P.

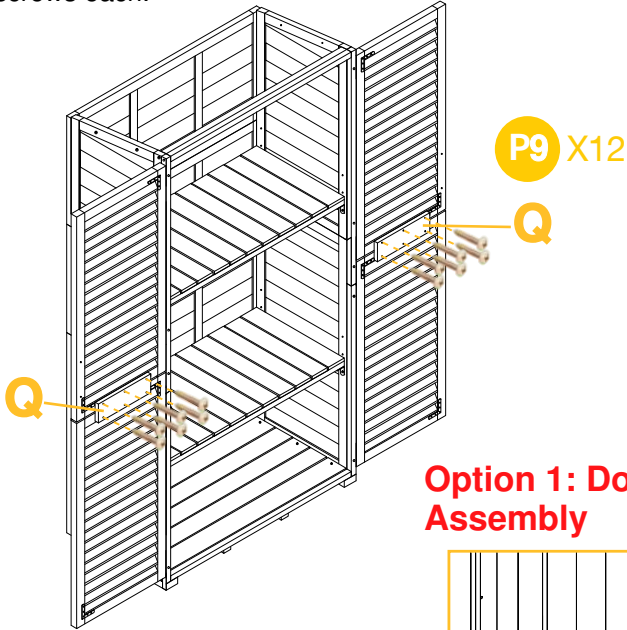


11 Secure 2x P with 8x P7 screws.

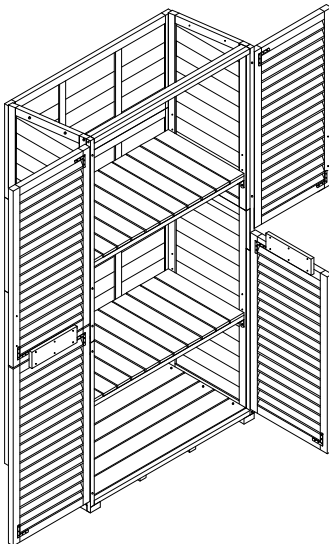
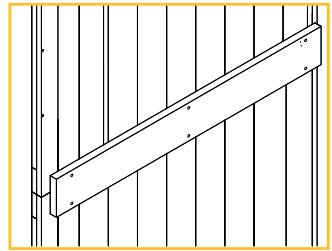


PRODUCT ASSEMBLY //

12 Attach Q to M and J, and another Q to N and K, using 6x P9 screws each.

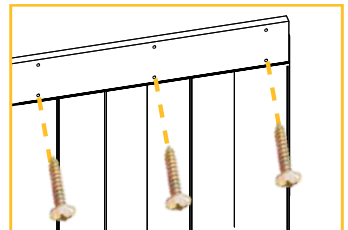


Option 1: Double-Door Assembly



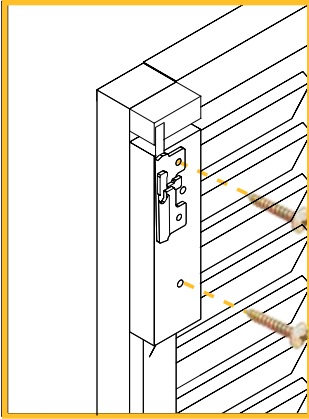
Option 2: Four-Door Assembly

If you prefer four separate doors, attach each Q the same way, but install only the lower row of screws.

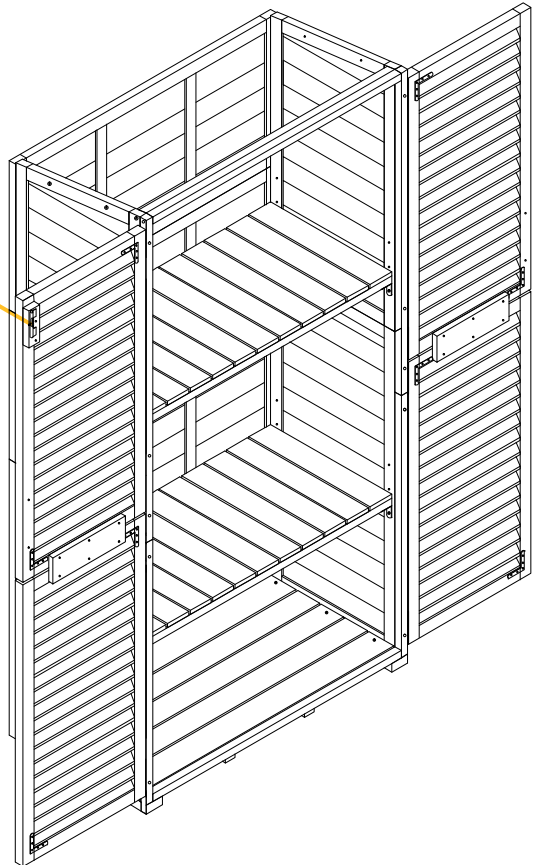


PRODUCT ASSEMBLY //

13 Install 1x P20 latch with wooden board using 2x P8 screws.



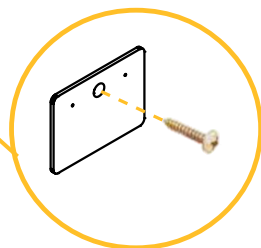
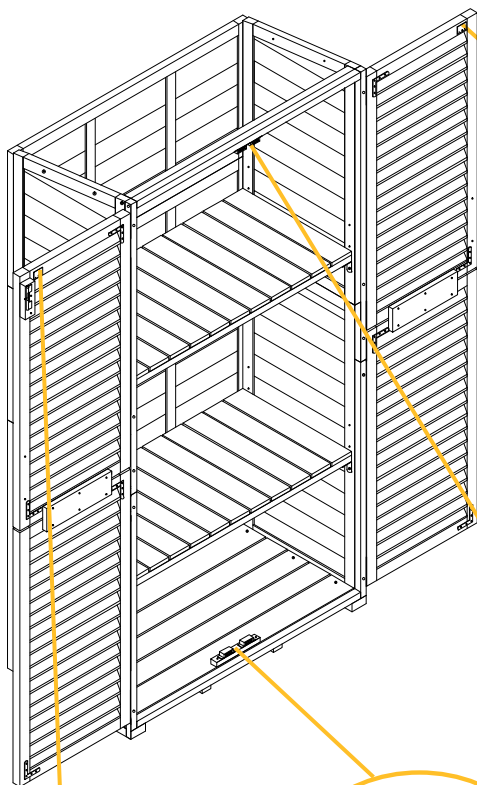
P8 X2
P20 X1



PRODUCT ASSEMBLY //

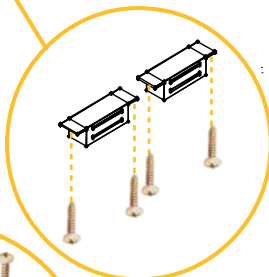
14

- ① Attach 2x P12 magnetic catches to O using 4x P11 screws.
- ② Attach 1x P21 magnetic catch to H using 2x P10 screws.
- ③ Attach 1x P13 magnetic door contact to M and 1x to N, using 1x P11 screw for each.



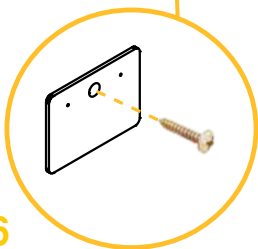
P11 X2

P13 X2



P12 X2

P11 X4



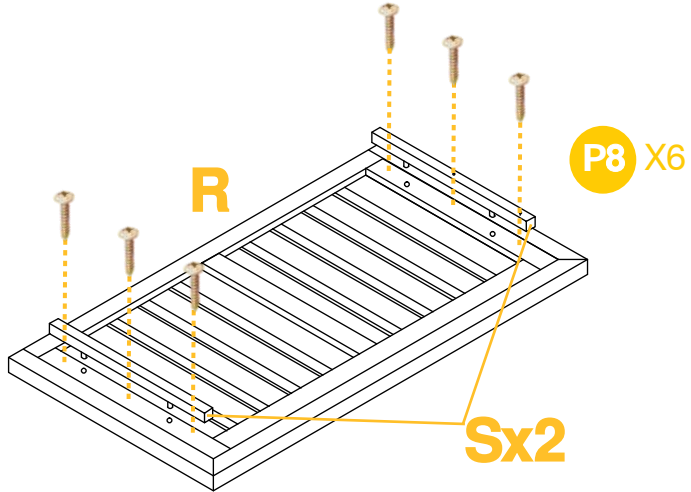
P21 X1

P10 X2

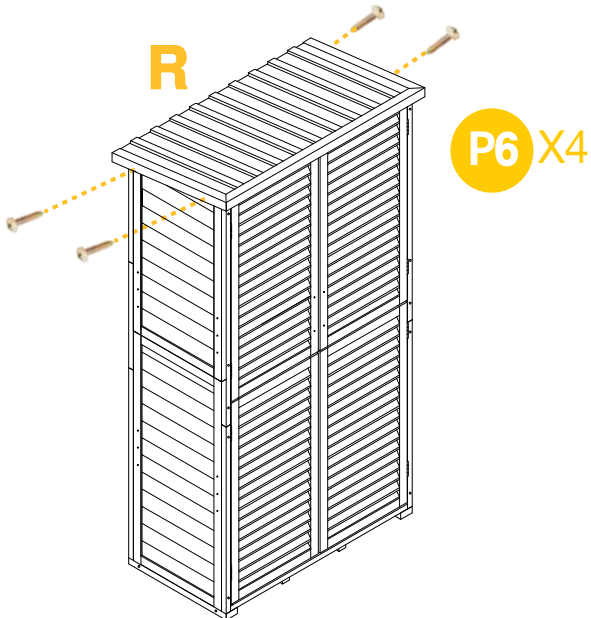
16

PRODUCT ASSEMBLY //

15 Attach 2x S to R using 6x P8 screws.

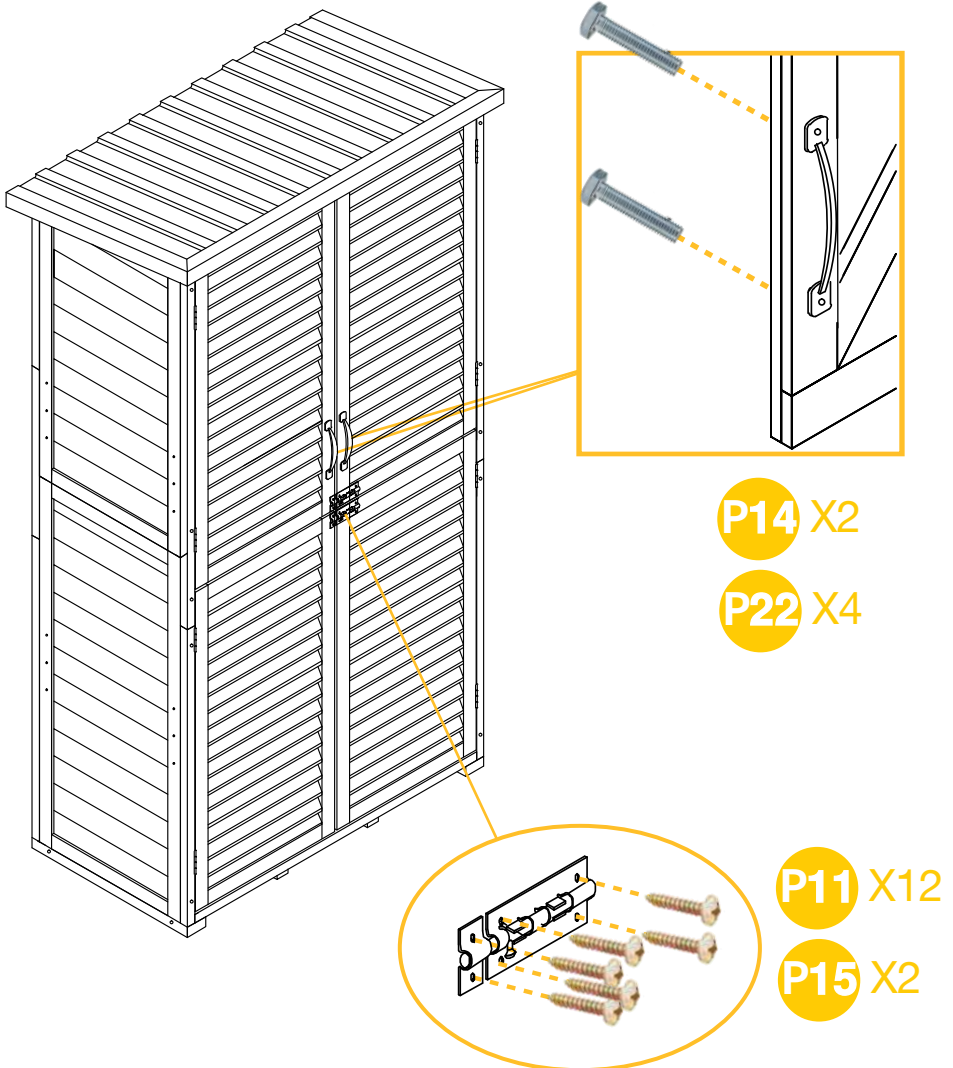


16 Install R using 4x P6 screws.



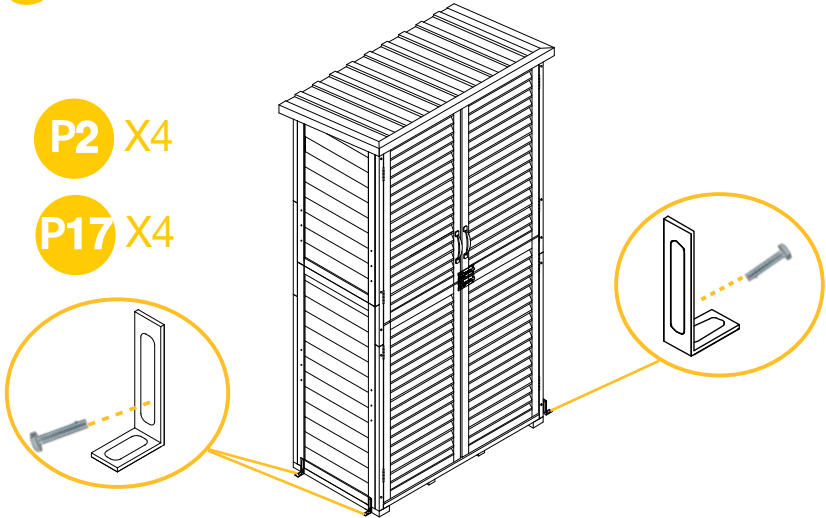
PRODUCT ASSEMBLY //

- 17** ① Attach 1x P14 handle to M and 1x to N, using 2x P22 bolts per handle.
② Install 2x P15 latches using 12x P11 screws.

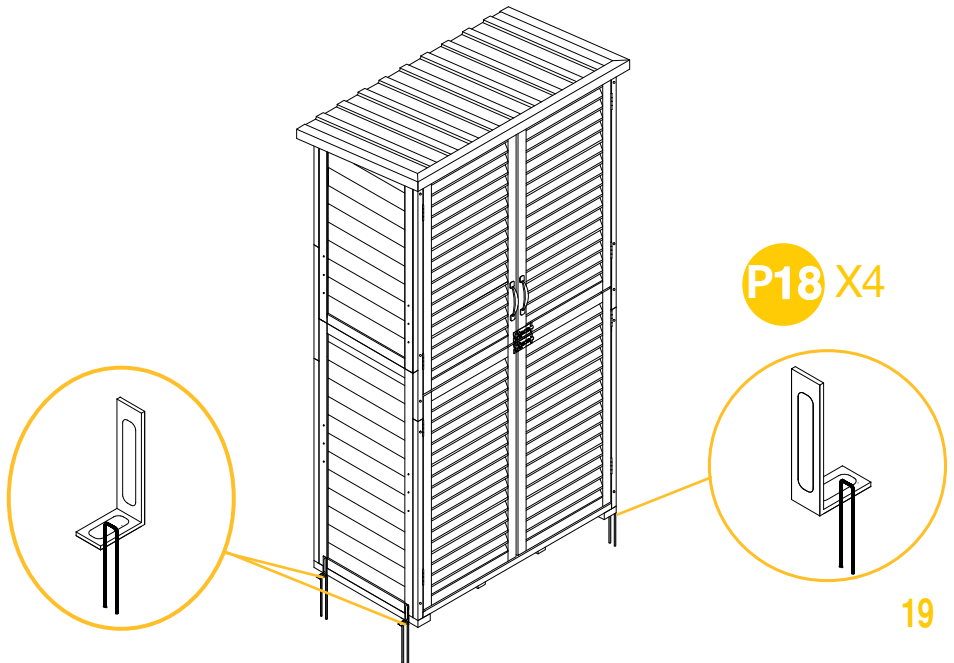


PRODUCT ASSEMBLY //

18 Install 4x P17 floor brackets using 4x P2 bolts.



19 Install 4x P18 landscape staples.





WARNING

The manufacturer and seller expressly disclaim all liability for personal injury, property damage, or loss—whether direct, indirect, or incidental—resulting from improper installation, misuse, lack of maintenance, or neglect of this product.