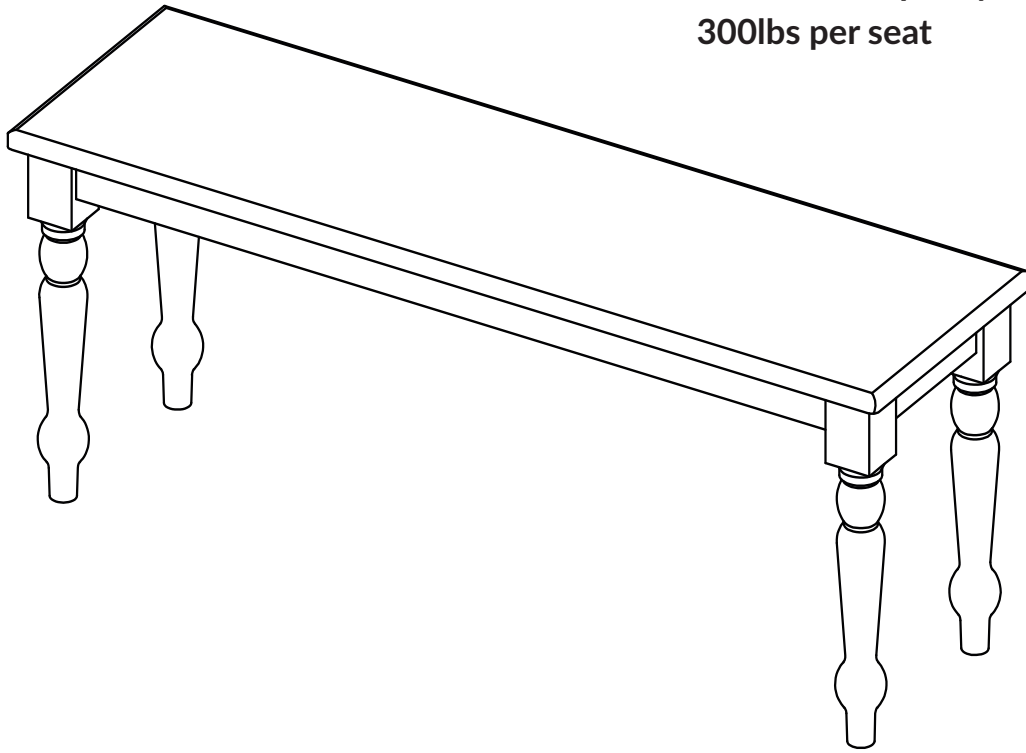


# ASSEMBLY INSTRUCTIONS

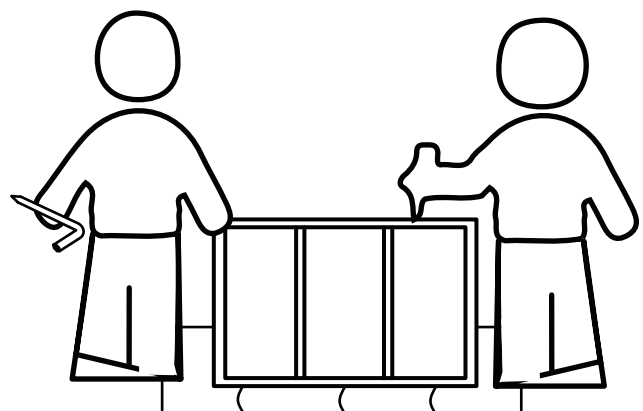
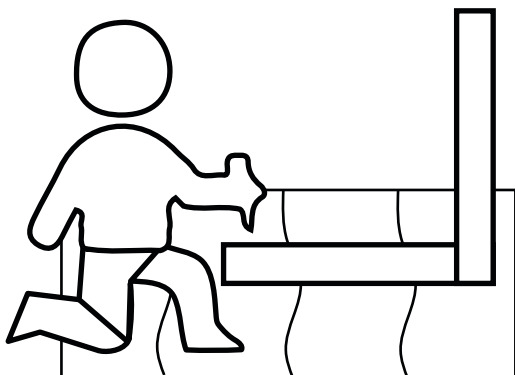
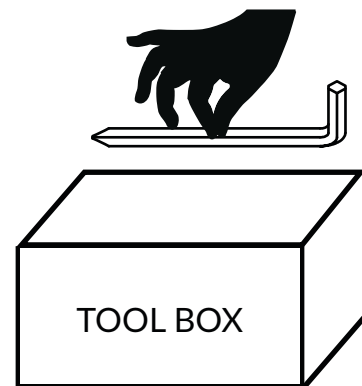
---

## BENCH

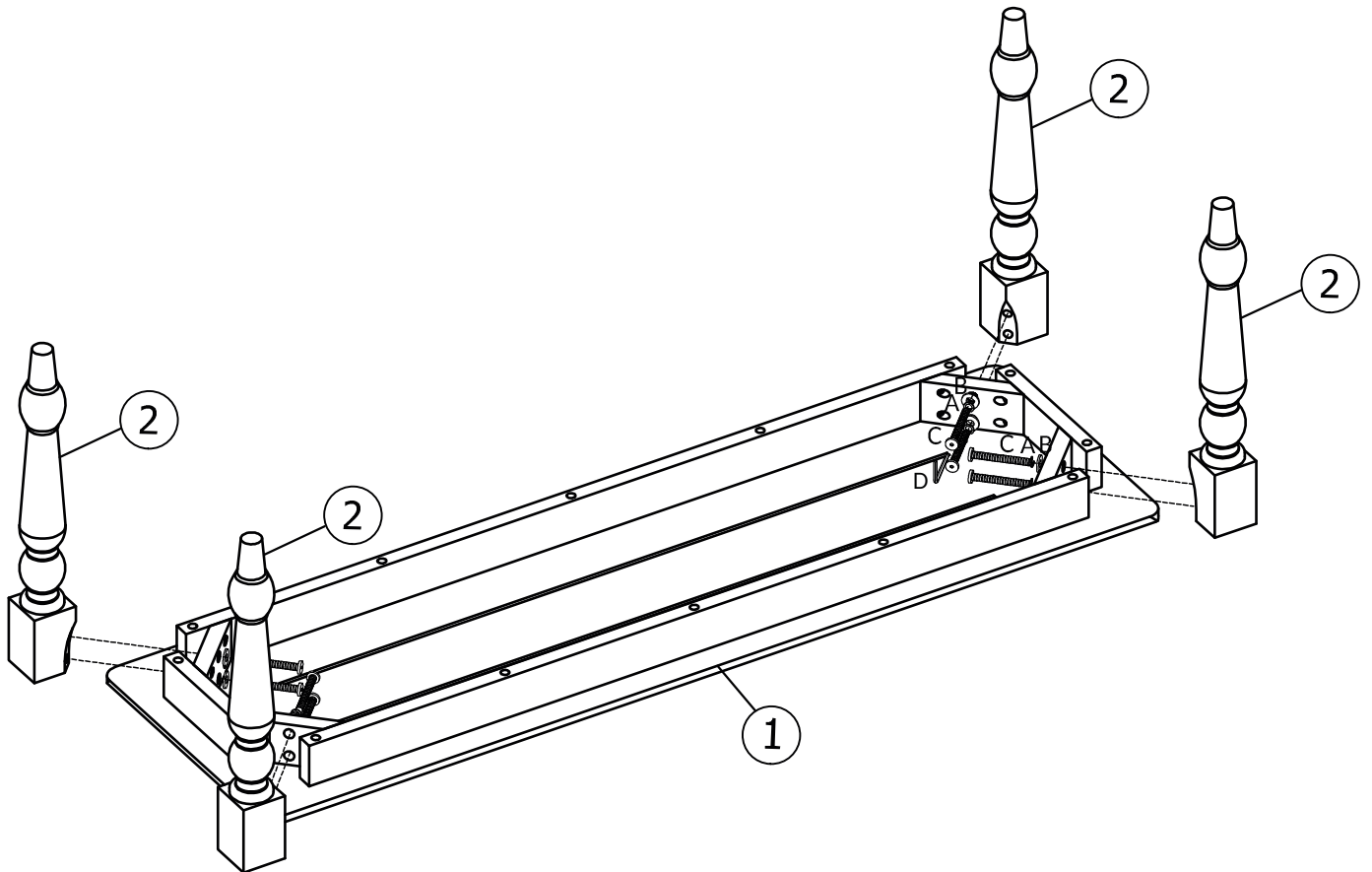
**Note: Maximum Capacity- 2 person,  
300lbs per seat**



- All required tools for assembly are included unless noted.
- Locate and inspect all parts for missing items or damage prior to assembly.
- Do not dispose of packing materials until assembly is completed.
- Assemble item on a soft, clean surface to prevent damage to the item.
- Proper assembly requires 2 people.



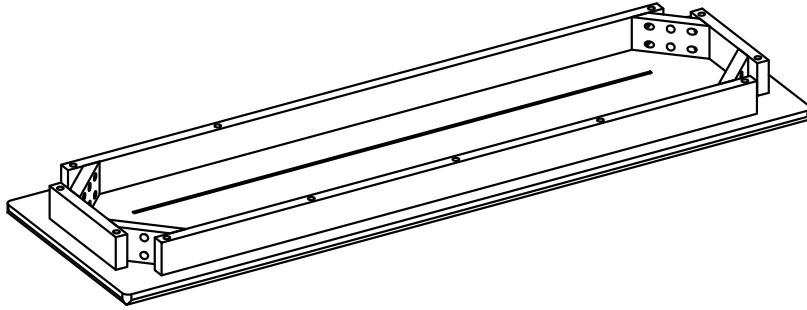
# Assembly Overview



# PARTS

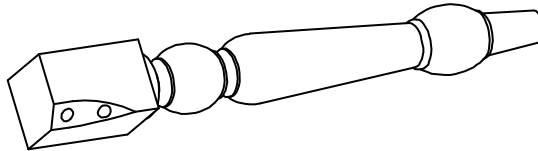
① (x1)

Seat :



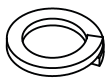
② (x4)

Leg :



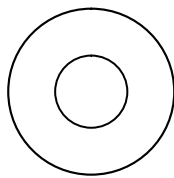
# HARDWARE

Ⓐ (x8)



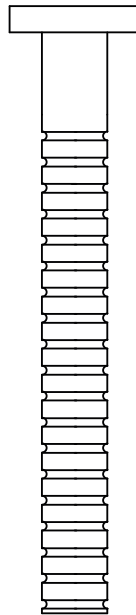
Spring Washer

Ⓑ (x8)



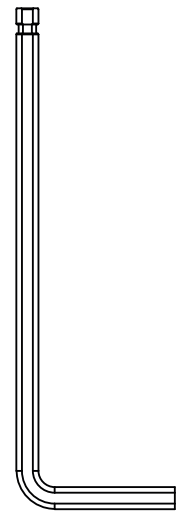
Flat Washer

Ⓒ (x8)



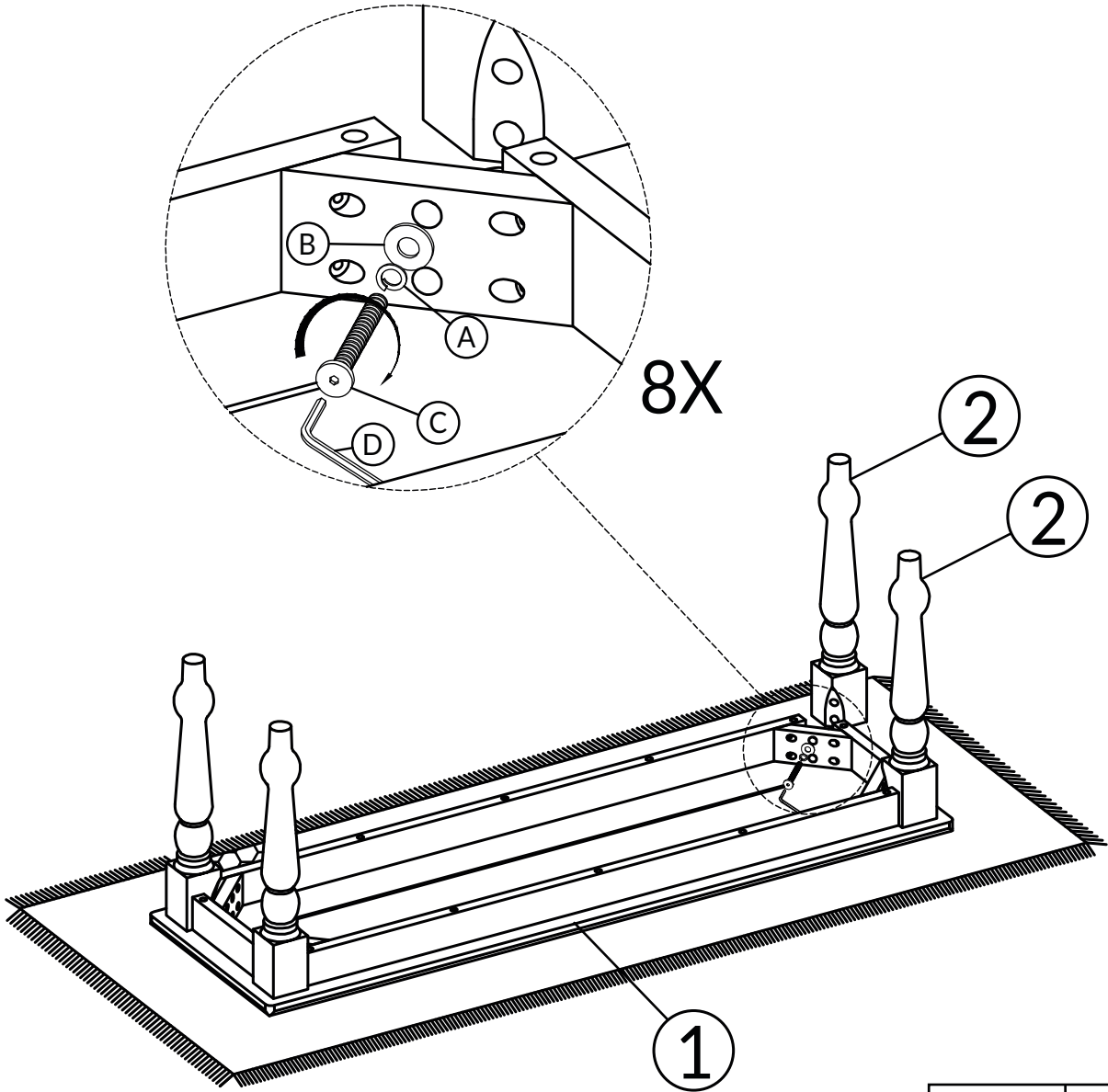
Bolt  
M8x70

Ⓓ (x1)



Allen  
Wrench

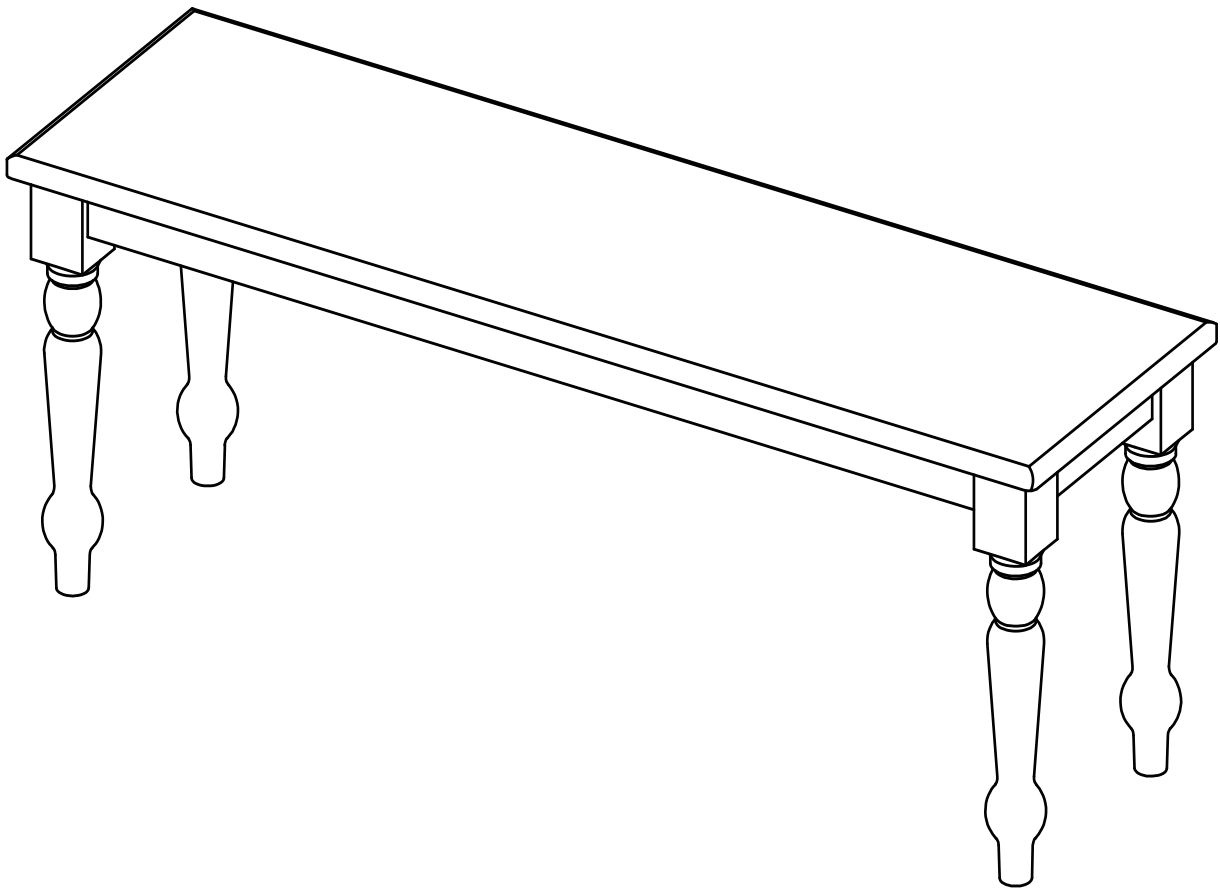
# 01



Hardware	Count
A	8
B	8
C	8
D	1

TIGHTEN BOLT COMPLETELY.

**Note: Maximum Capacity- 2 person,  
300lbs per seat**



**BE SURE TO CHECK ALL BOLTS ARE SECURELY TIGHTENED PRIOR TO USE.**