



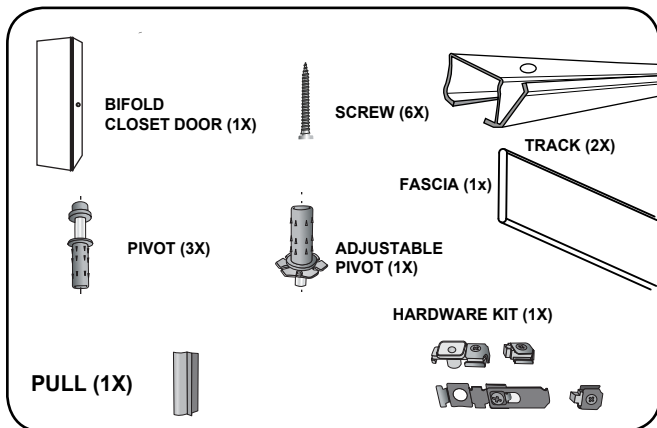
colonialelegance

HOW TO INSTALL YOUR CLOSET DOOR

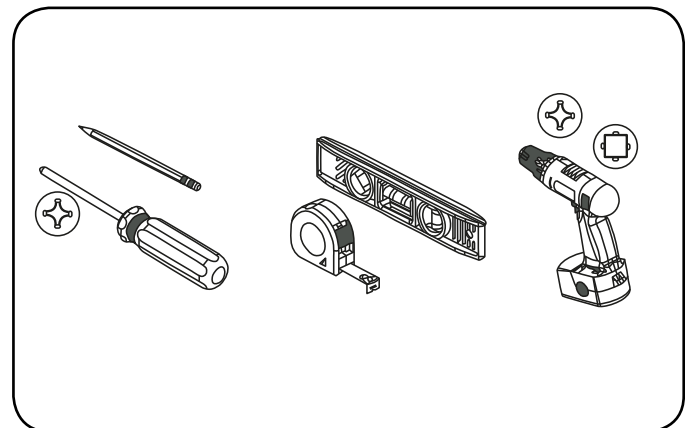
BIFOLD – DESIGN COLLECTION

IMPORTANT - PLEASE READ THE INSTRUCTIONS BEFORE BEGINNING INSTALLATION.

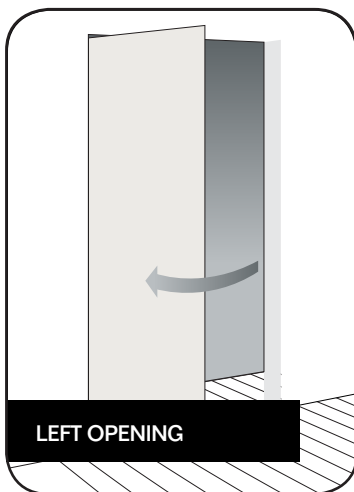
- These instructions are for installing a design bifold door.



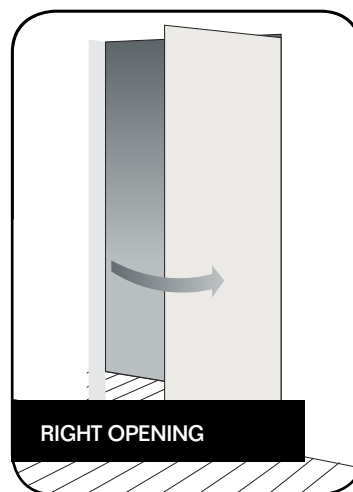
Parts included



Recommended tools



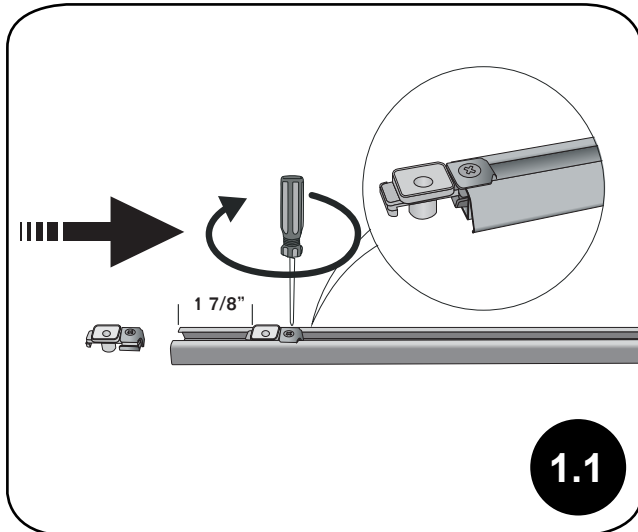
Follow Step 1, for left opening installation



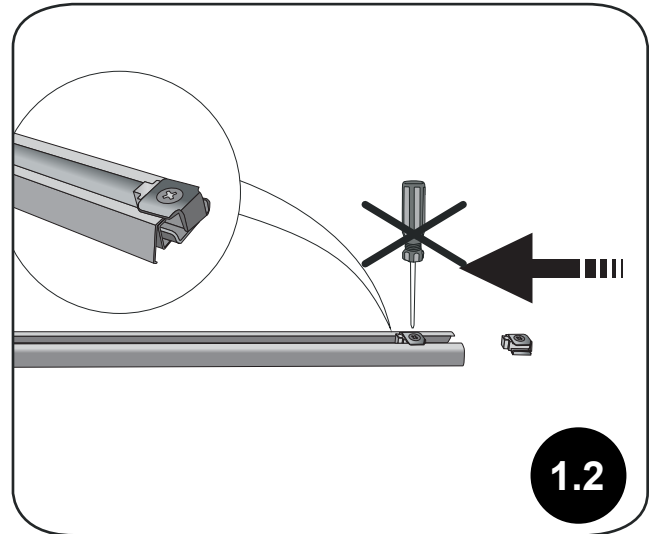
Follow Step 3, for right opening installation

1. Left opening tracks preparation

Bottom track

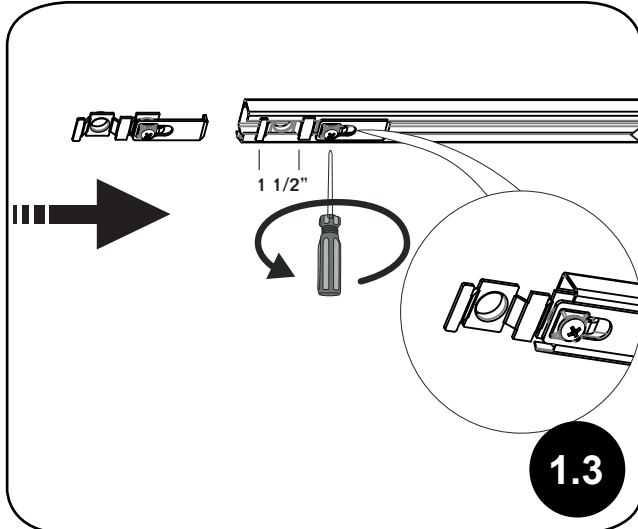


Slide the bottom pivot bracket to 1 7/8" from the left side then tight in place.

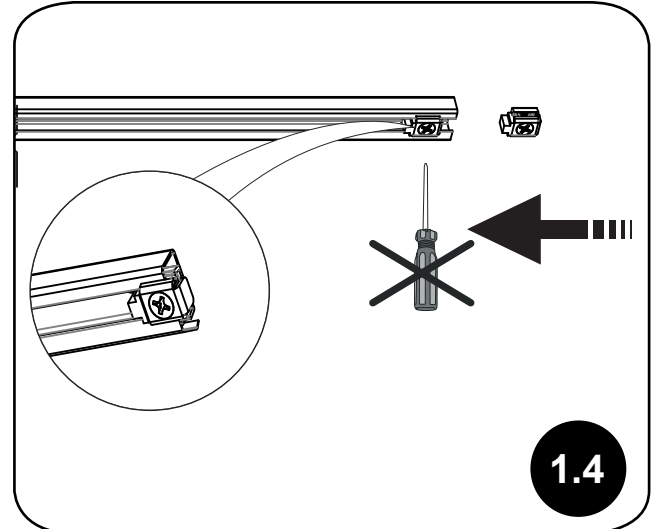


Slide the stopper on the right side. Do not tight now, it will be adjusted later.

Top track

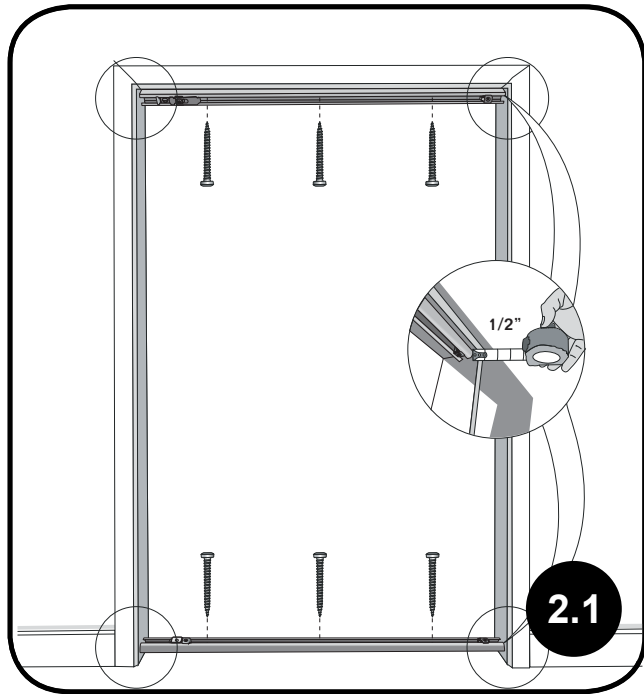


Slide the top pivot bracket to 1 1/2" from the left side then tight in place.

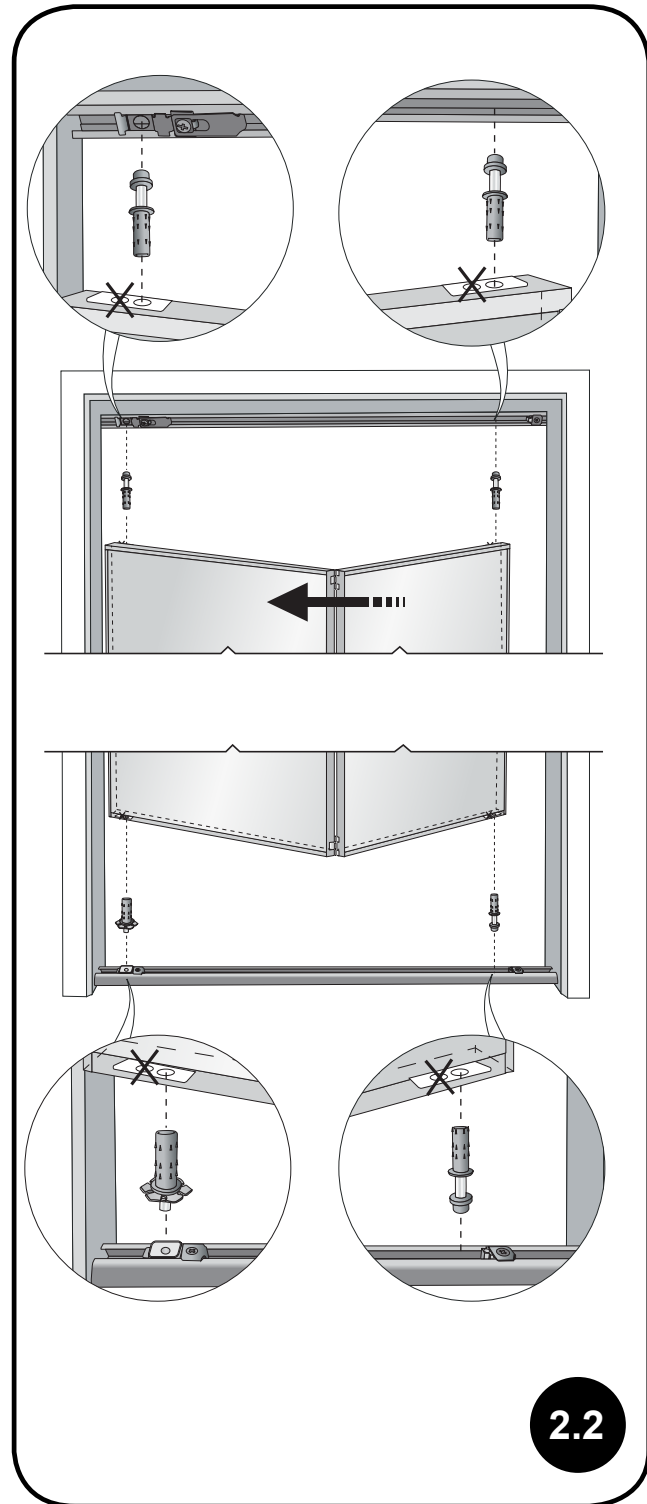


Slide the stopper on the right side. Do not tight now, it will be adjusted later.

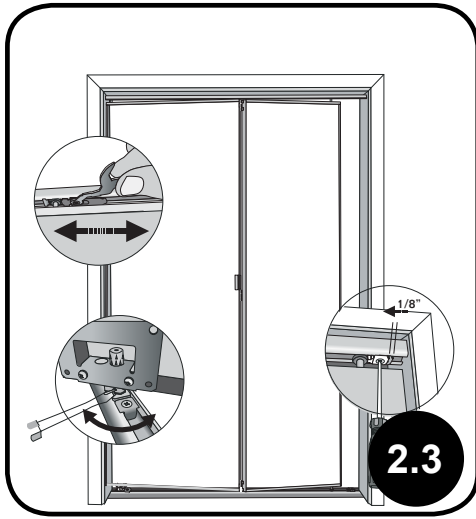
2. Door installation



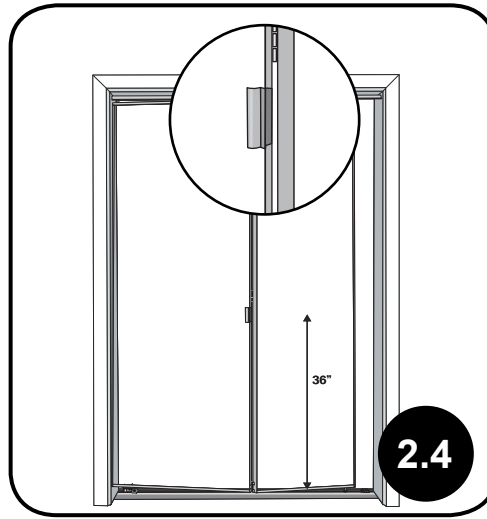
Install the tracks, leaving 1/2" between the door opening and the track, using provided screws.



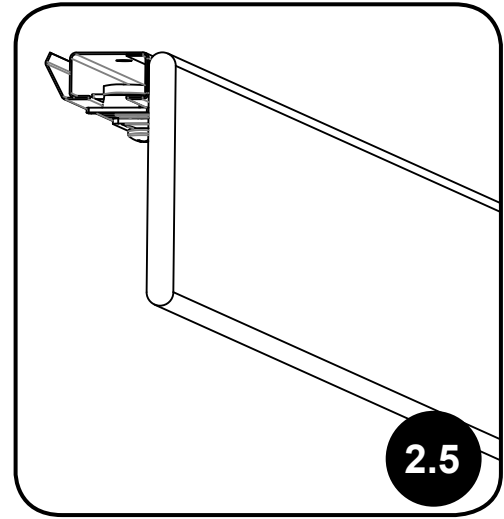
Insert the pivots in the appropriate holes. Then install the door by inserting the spring pivots in the brackets or in the tracks.



Adjust the stoppers so that they are 1/8" tighter when the door is closed. This adjustment allows the door to remain closed.



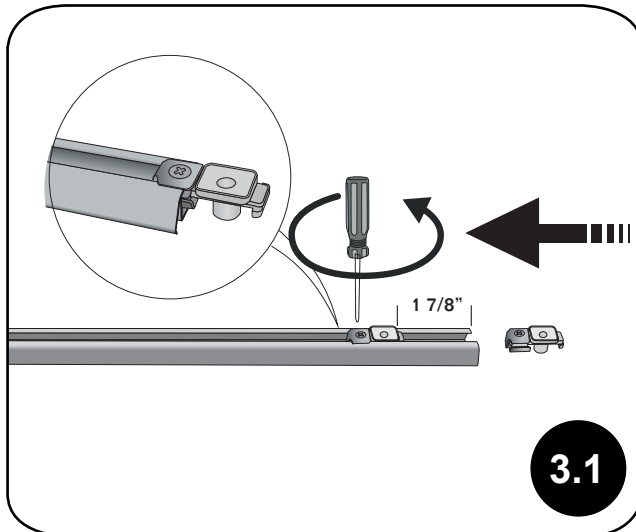
Install your pull.



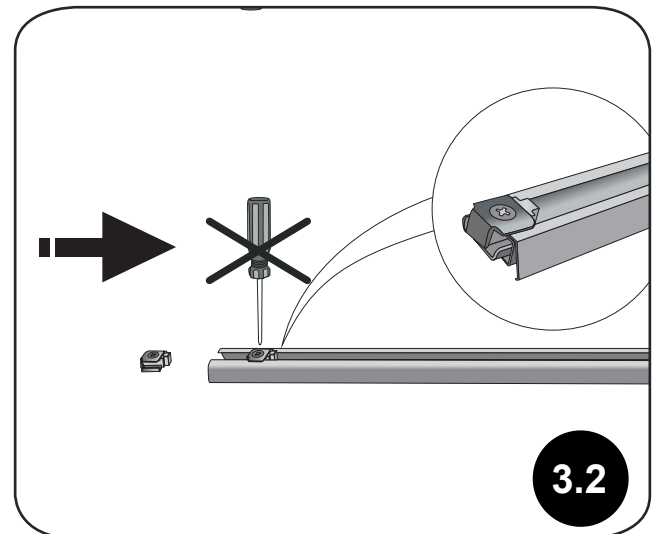
Stick fascia on top rail.

3. Right opening tracks preparation

Bottom track

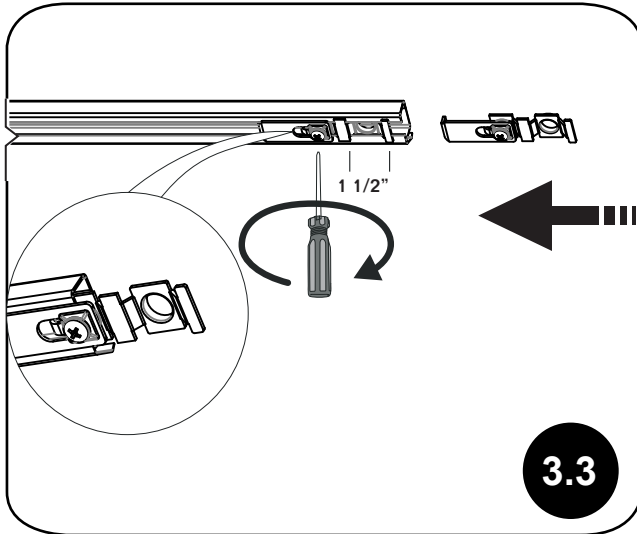


Slide the bottom pivot bracket to 1 7/8" from the right side then tight in place.

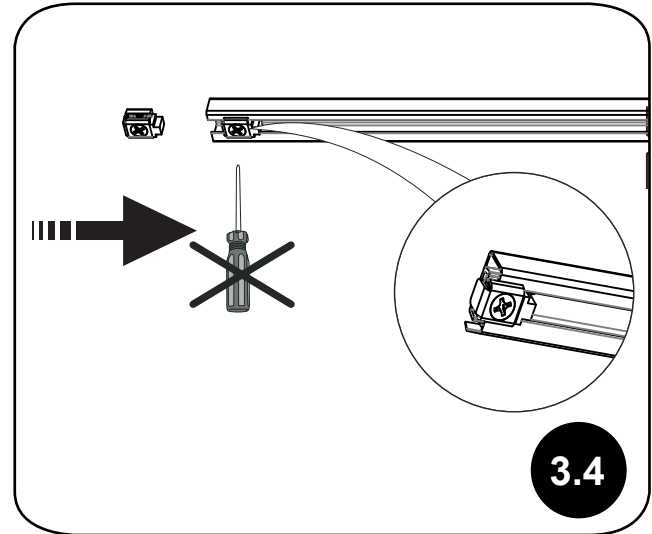


Slide the stopper on the left side. Do not tight now, it will be adjusted later.

Top track

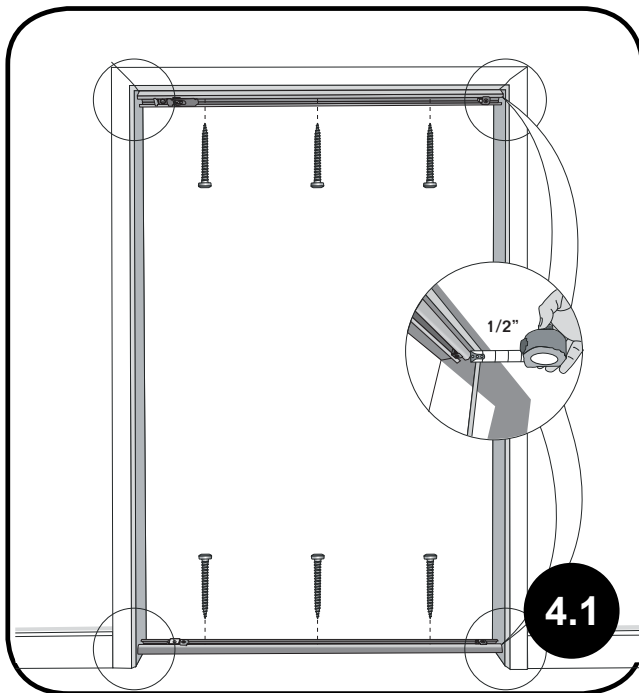


Slide the top pivot bracket to 1 1/2" from the right side then tight in place.

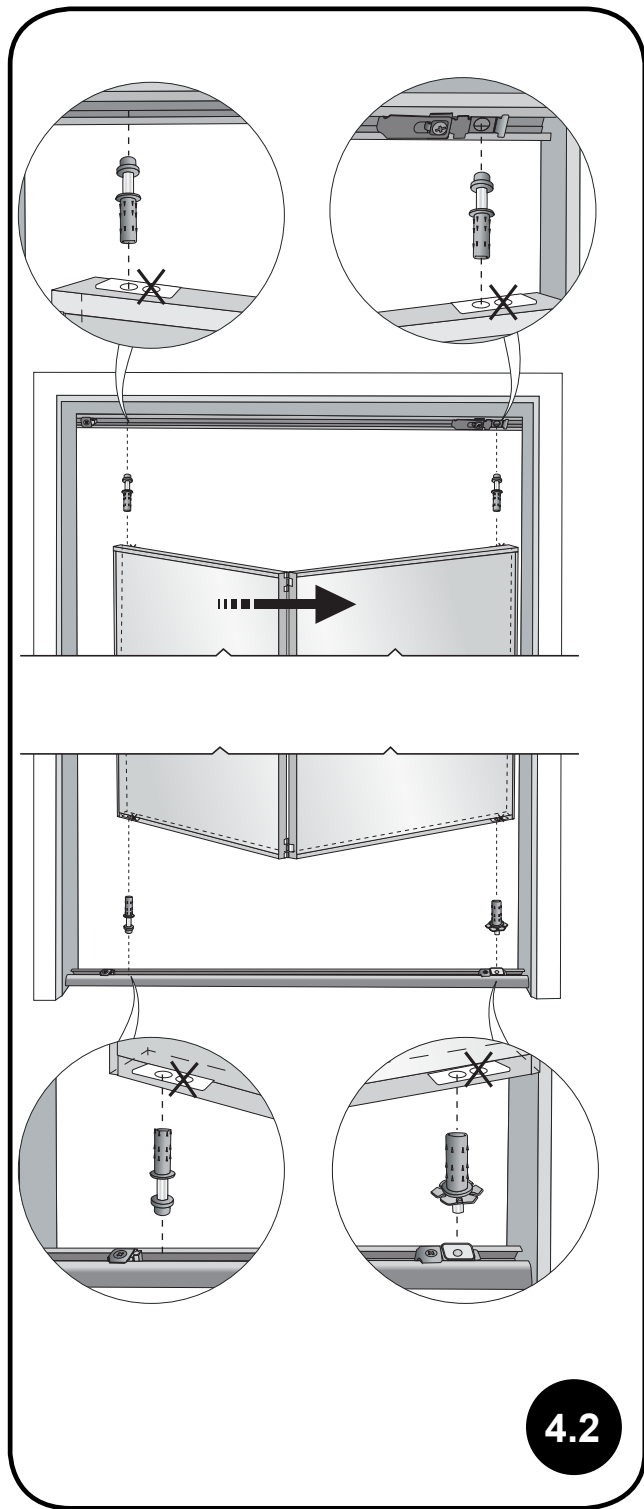


Slide the stopper on the left side. Do not tight now, it will be adjusted later

4. Door installation



Install the tracks, leaving 1/2" between the door opening and the track, using provided screws.



Insert the pivots in the appropriate holes. Then install the door by inserting the spring pivots in the brackets or in the tracks.

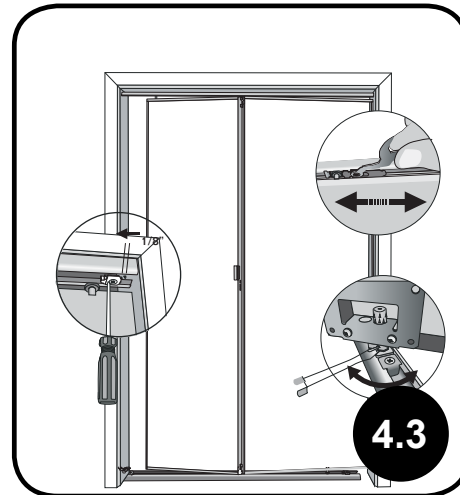
DO NOT RETURN TO RETAILER

If you have any questions, please contact our customer service at: info@colonialegance.com or call toll free at: 1-800-361-2030

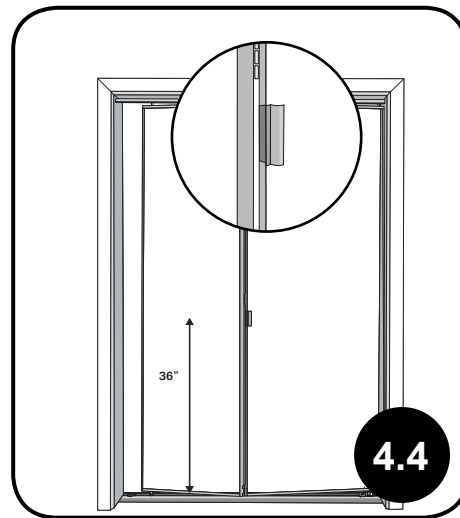
VISIT OUR WEB SITE

www.colonialegance.com

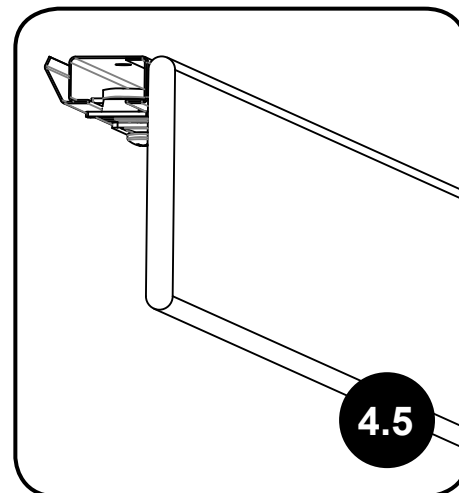
***1 year limited warranty**



Adjust the stoppers so that they are 1/8" tighter when the door is closed. This adjustment allows the door to remain closed.



Install your pull.



Stick fascia on top rail.