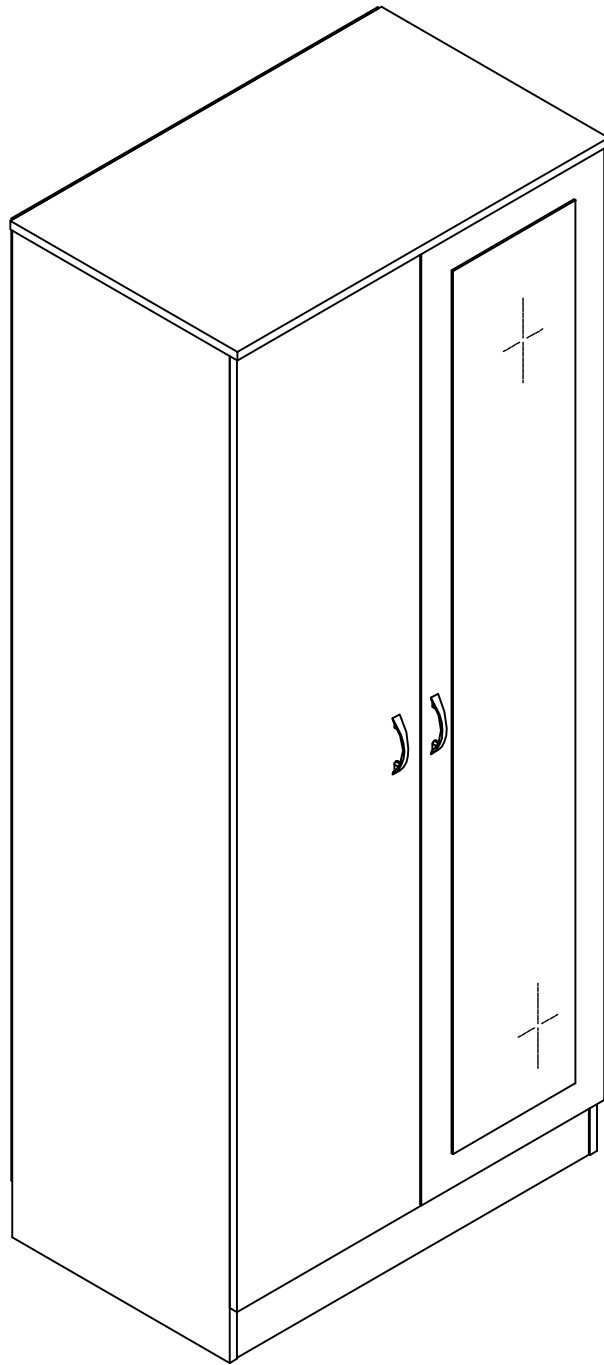


High Gloss Bedroom Furniture 3Pcs Set

Wardrobe Door Hinge with Soft Close Function

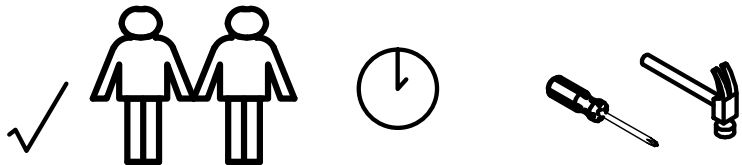
ASSEMBLY INSTRUCTION - Please Keep for Future Reference



Safety and Care Advice

IMPORTANT - Please Read This Instruction Carefully Before Assembly.

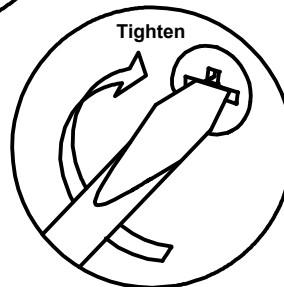
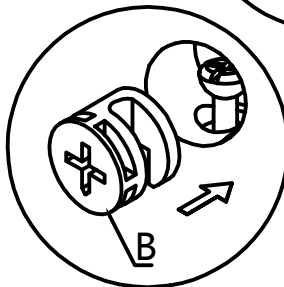
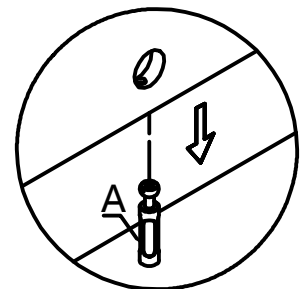
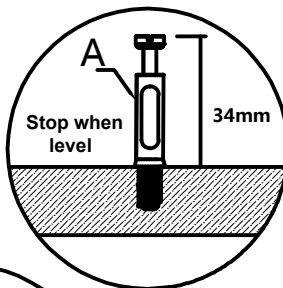
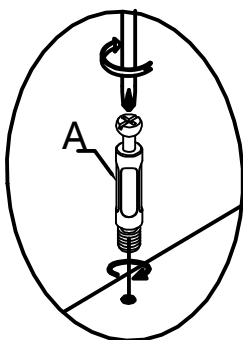
- Check you have all the components and tools listed on page 3.
- Remove all settings from the plastic bags and separate them into their groups.
- Keep children and animals away from the work area, small parts could choke if swallowed.
- Make sure you have enough space to layout the parts before assembly.
- Do not stand or put weight on the product, this could cause damage.
- Assemble the item as close to it's intended position (in the same room) as possible.
- Assemble on a soft level surface to avoid damaging the unit.
- Parts of the assembly will be easier with 2 people.
- Do not use power drill/drivers for assembly, or the unit may be damaged.
- Dispose of all packaging carefully and responsibly.



CARE and MAINTENANCE

- Only clean using a damp cloth and mild detergent, do not use bleach or abrasive cleaners.
- From time to time check that there are no loose screws on this unit.
- This product should not be discarded with household waste. Take to your local authority waste disposal center.

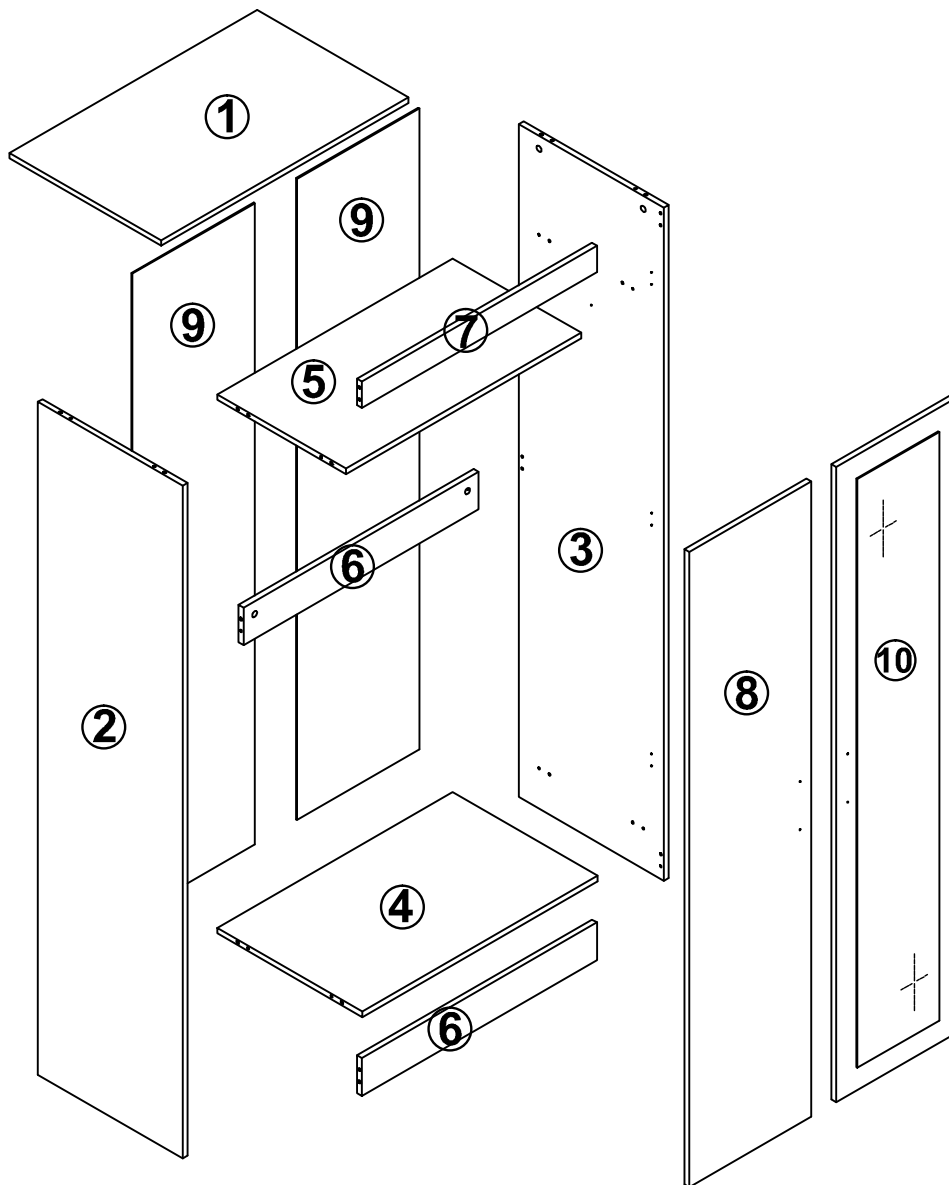
General Hints & Tips



Components and Tools

IMPORTANT - Please Check If You Have All The Components and Tools.

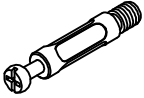
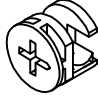
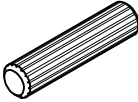
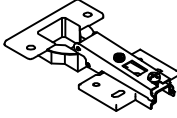







**Note: The quantities below are the correct amount to complete the assembly.
In some cases more pieces may be supplied than are required.**



Components and Tools

IMPORTANT - Please Check If You Have All The Components and Tools.

Note: The quantities below are the correct amount to complete the assembly. In some cases more pieces may be supplied than are required.

| | | | | | |
|--|---|--|--|--|--|
| <p>A=16</p>  <p>Peg M6*34mm</p> | <p>B=16</p>  <p>Lock M15*12mm</p> | <p>C=20</p>  <p>Dowel M6*30mm</p> | <p>D=6</p>  <p>Door Hinge</p> | <p>E=40</p>  <p>Screw M3.5*14mm</p> | <p>F=28</p>  <p>Pin</p> |
| <p>G=4</p>  <p>Screw M4*18</p> | <p>H=1</p>  <p>Clothes Bar 716mm</p> | <p>I=2</p>  <p>Clothes Holder</p> | <p>J=2</p>  <p>Handles 64mm</p> | <p>k=4</p>  <p>Plastic Feet</p> | |
| | | | | | |

Assembly Instruction

Step 1

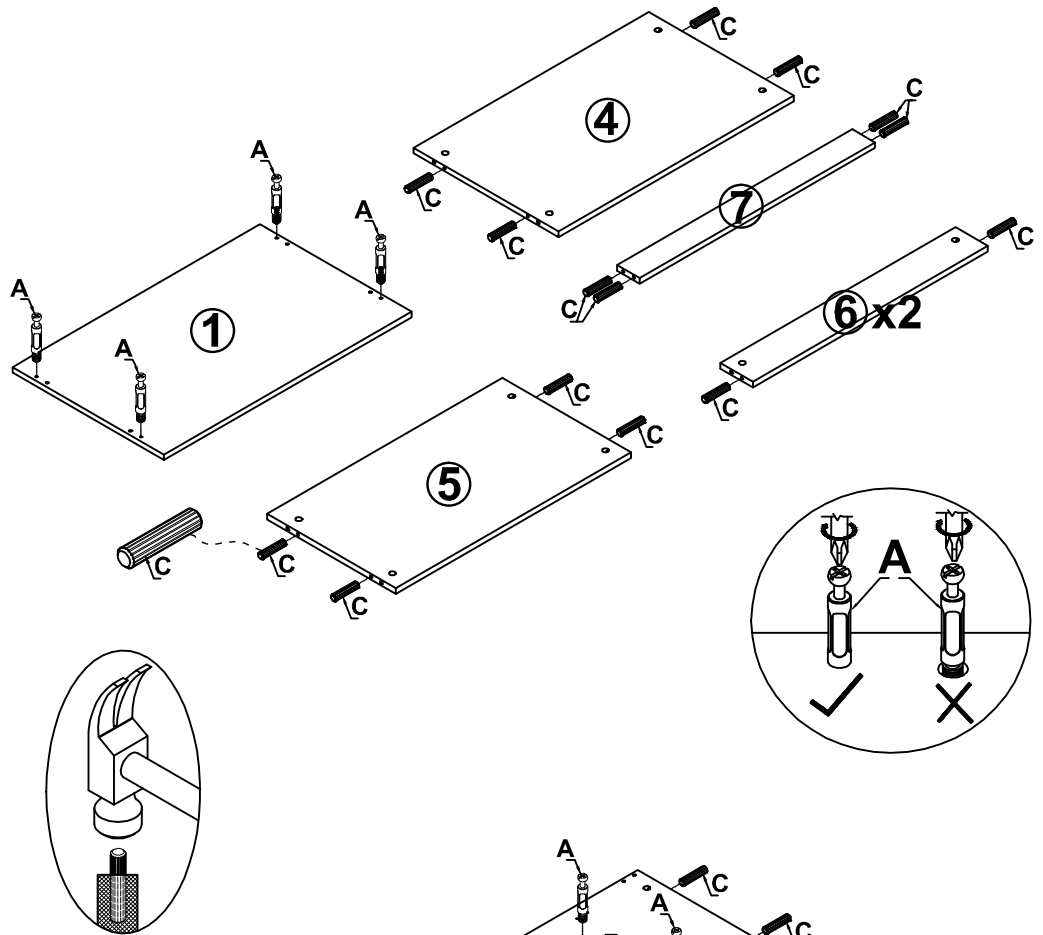
A=4

C=16



Peg

Dowel



Step 2

A=12

C=4



Peg

Dowel

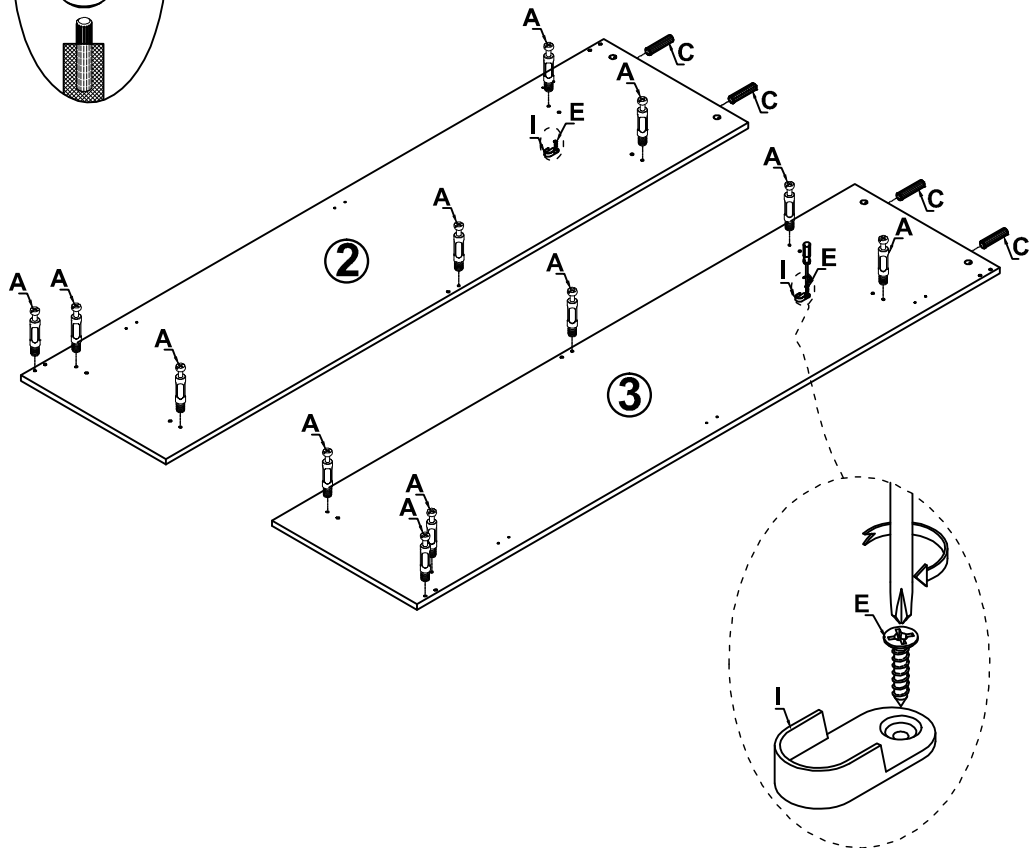
E=4

I=2



Screw

Clothes Holder



Assembly Instruction

Step 3

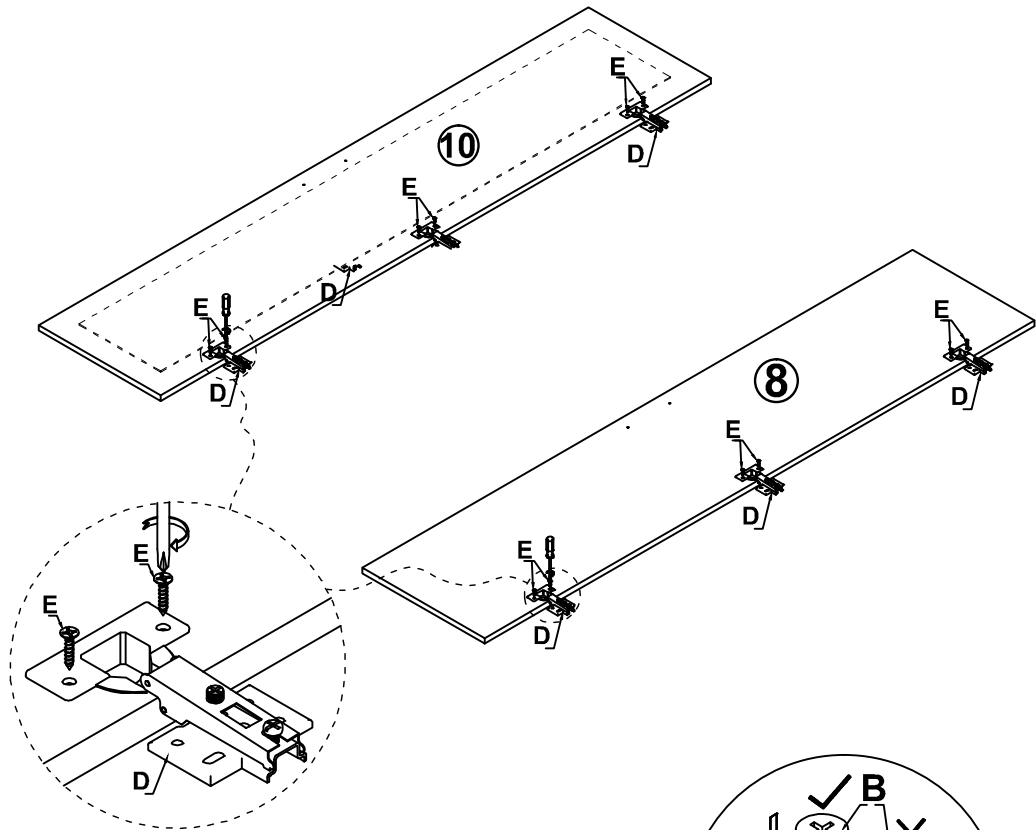
D=6

E=8



Door
Hinge

Screw

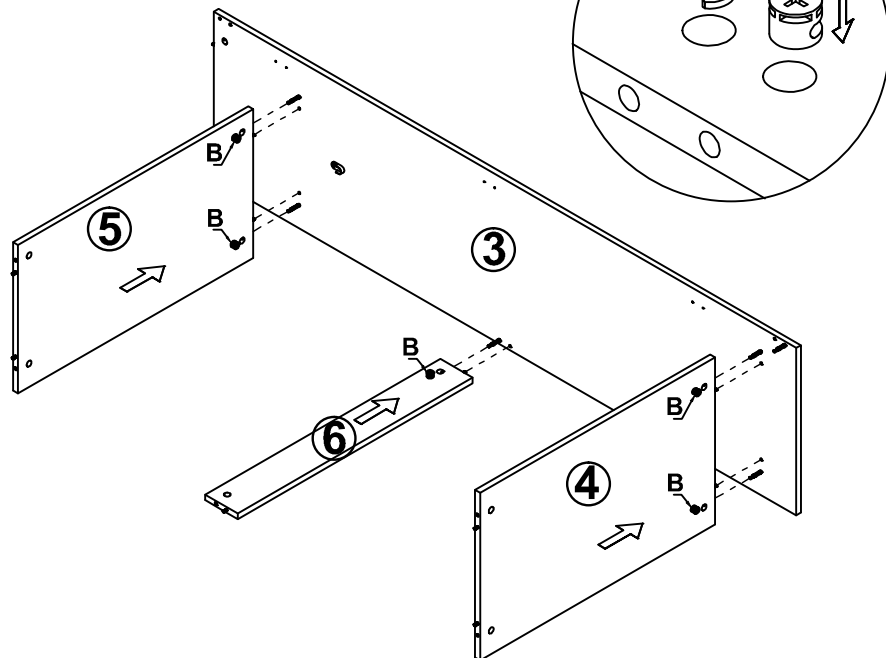


Step 4

B=5



Lock
M15*12



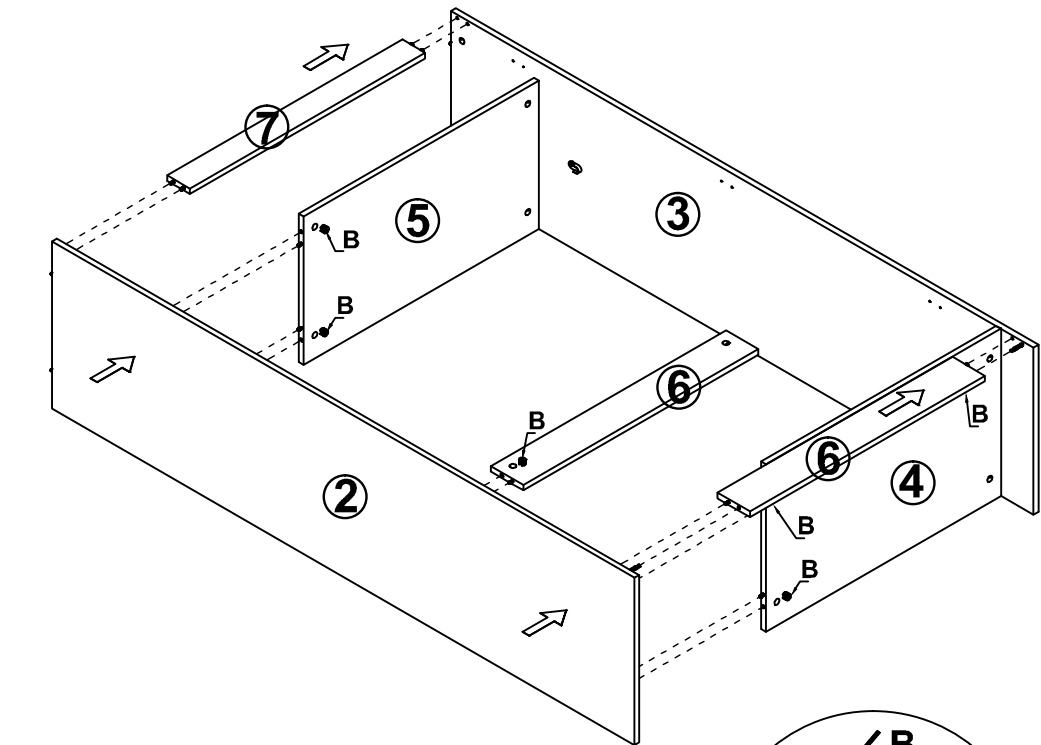
Assembly Instruction

Step 5

B=6



Lock
M15*12



Step 6

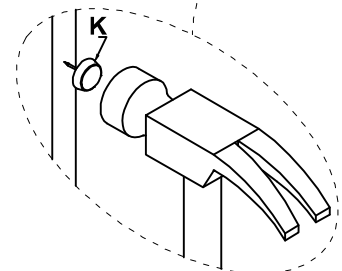
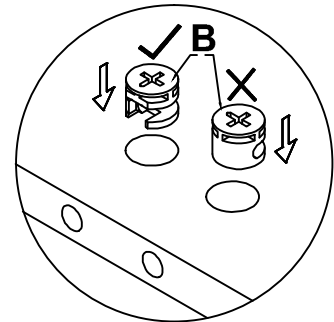
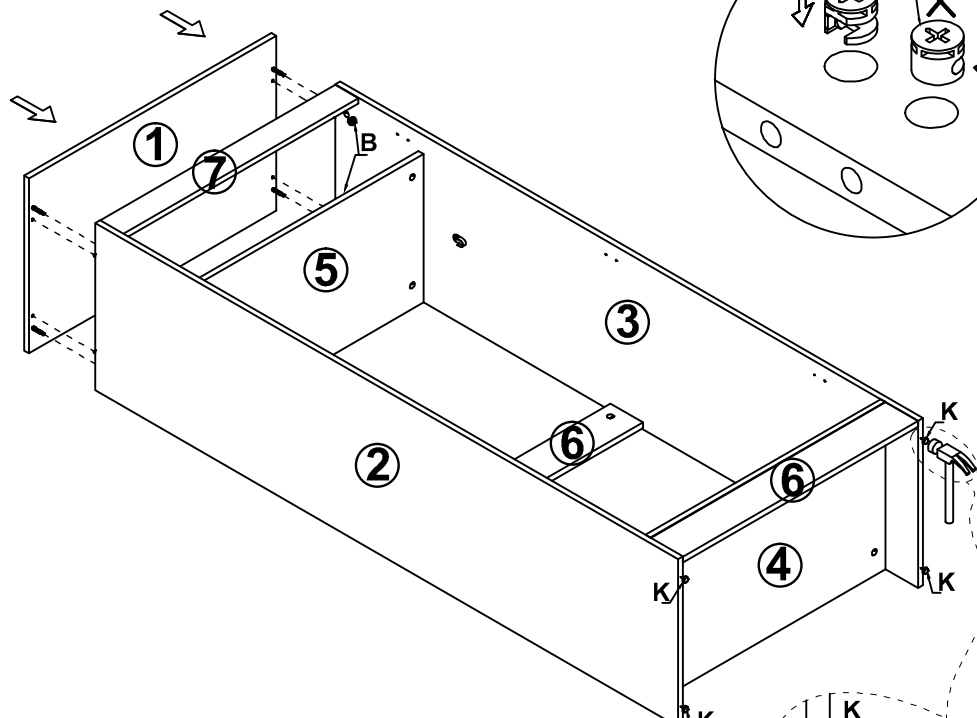
B=4

k=4



Lock
M15*12

Plastic
Feet



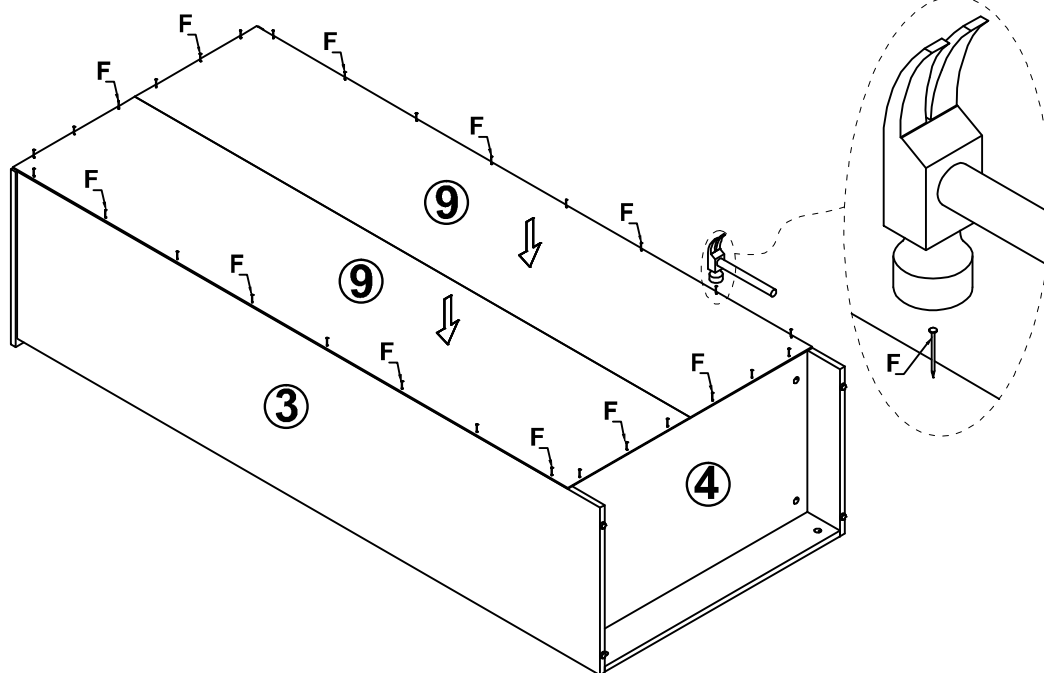
Assembly Instruction

Step 7

F=28



Pin

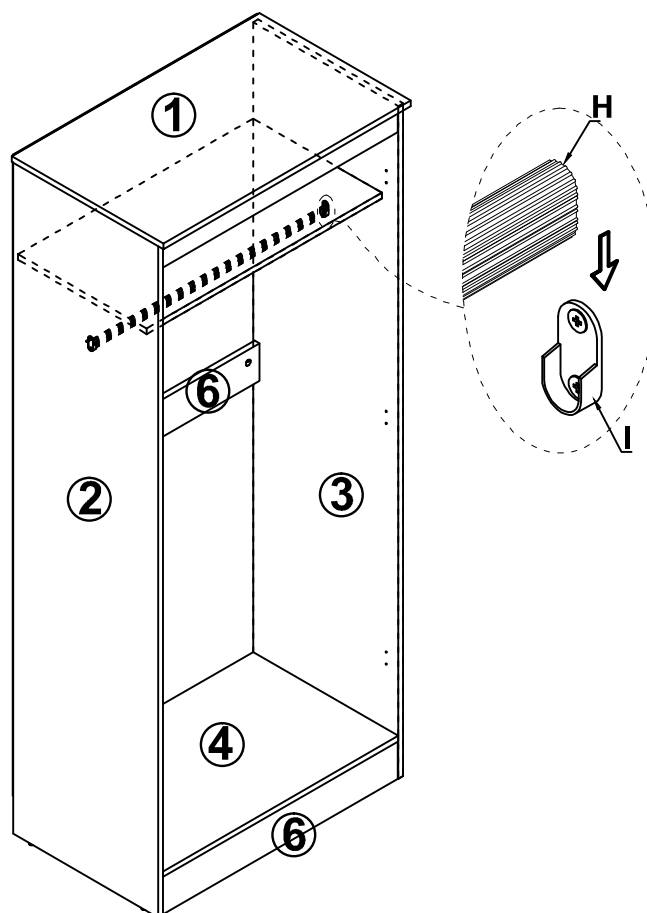


Step 8

H=1



Clothes Bar
716mm



Assembly Instruction

Step 9

G=4

J=2



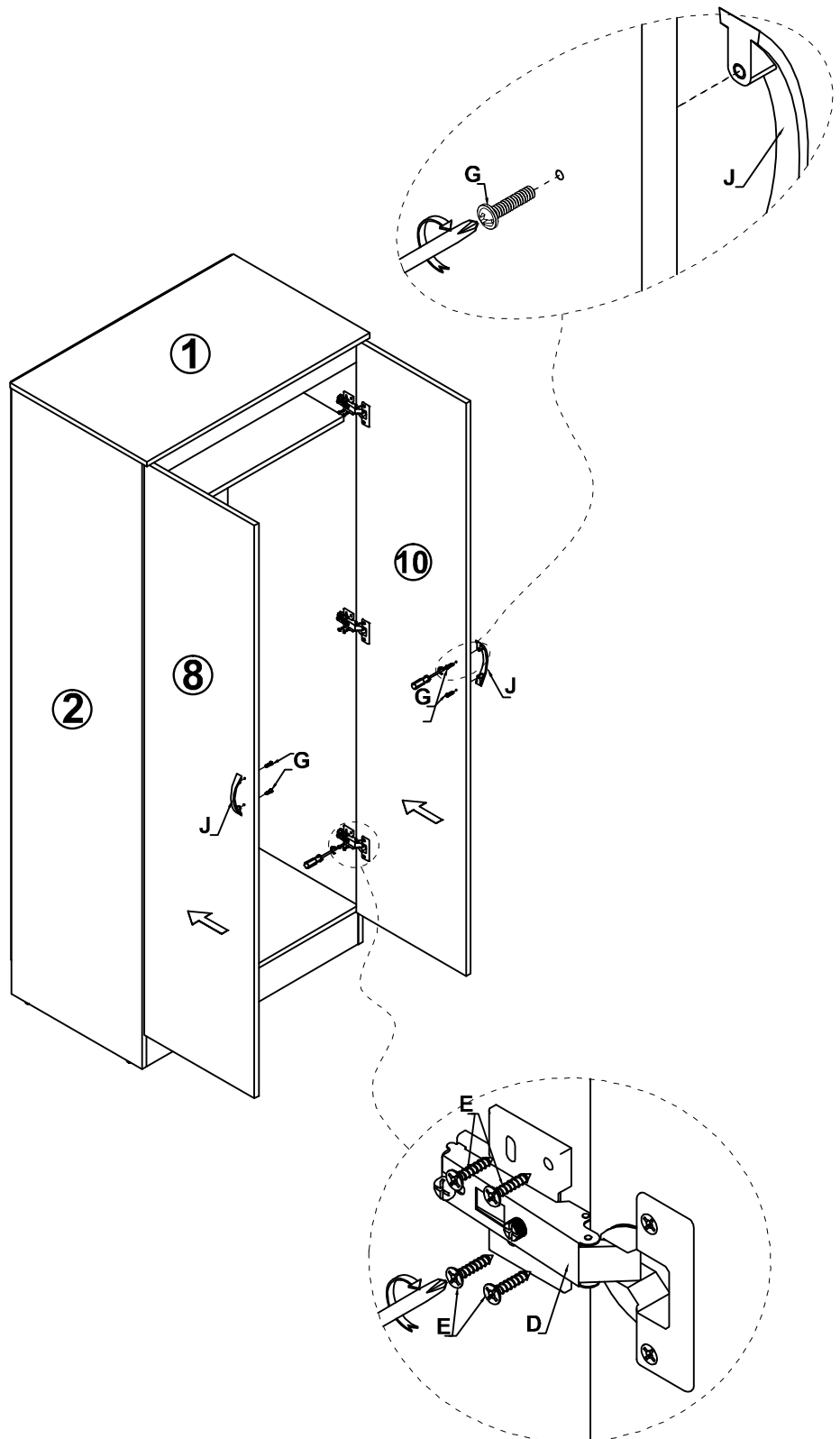
Screw
M4*18

Handles
64mm

E=24

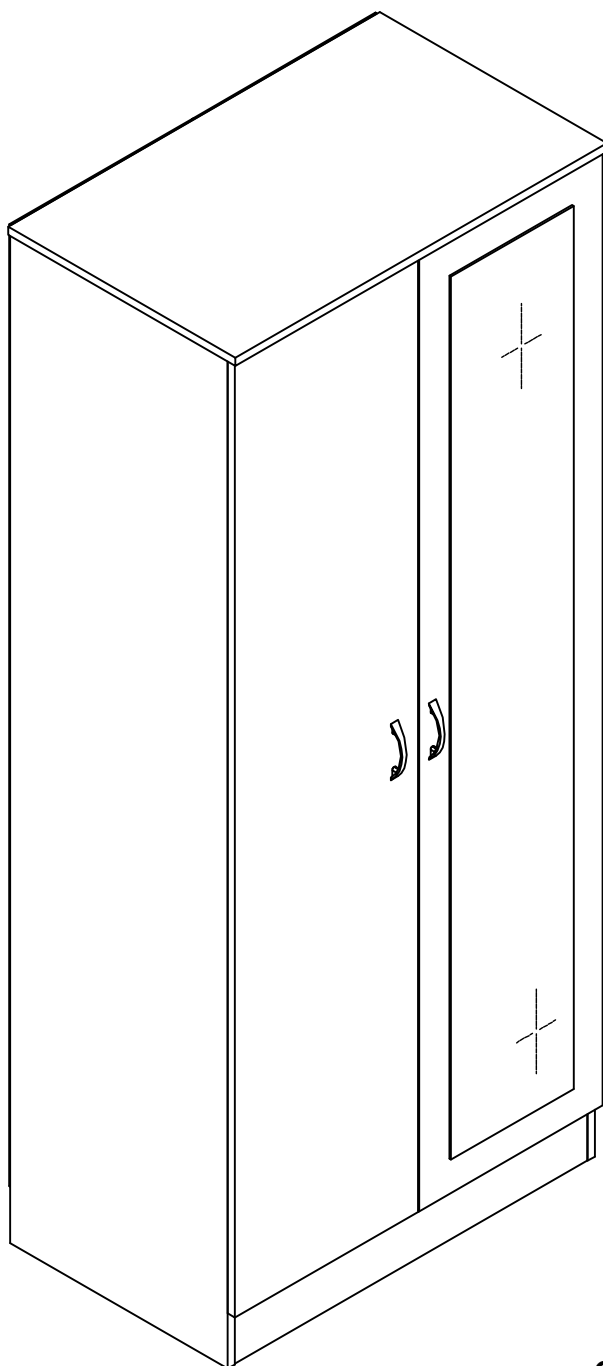


Screw



Assembly Instruction

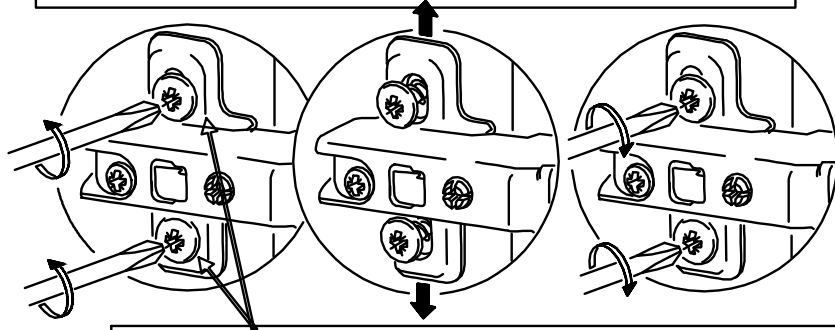
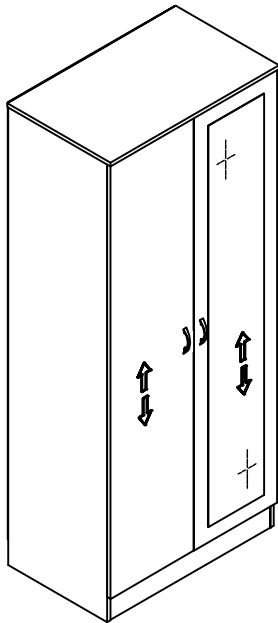
Step 10



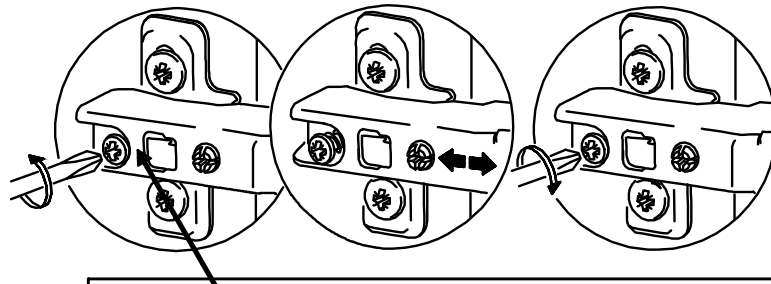
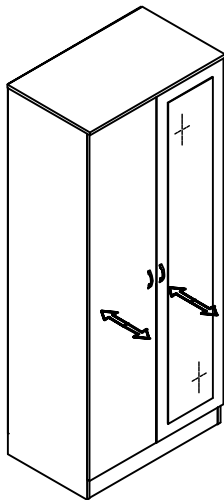
OK



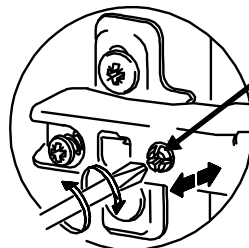
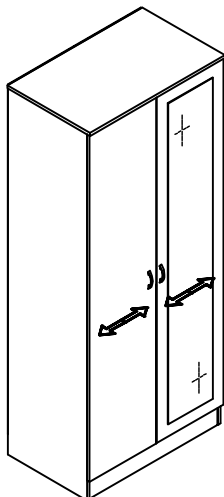
Customer Attention:
To Align Doors & Control Gap In Between Doors.
Product doors may need adjusting during & after
assembly or once wardrobe contains clothing.
This can be done by adjusting appropriate screws.
See below illustration.



Vertical Door Adjustment:
Loosening both screws on all hinges and lift the door
to desired height. This allows an even space at the
top and bottom between door and wardrobe frame.



Lateral Door Adjustment:
If door is hinge bound, (rubbing on frame as you
close or open door) loosening screw shown and
move the door in appropriate direction. (In or out)



Horizontal Door Adjustment:
Rotate Screw clock wise or anti
clockwise. This
will produce an even gap between doors
and frame.