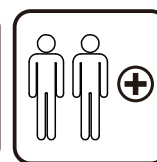
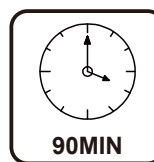
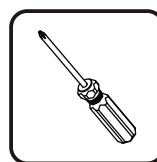
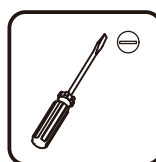
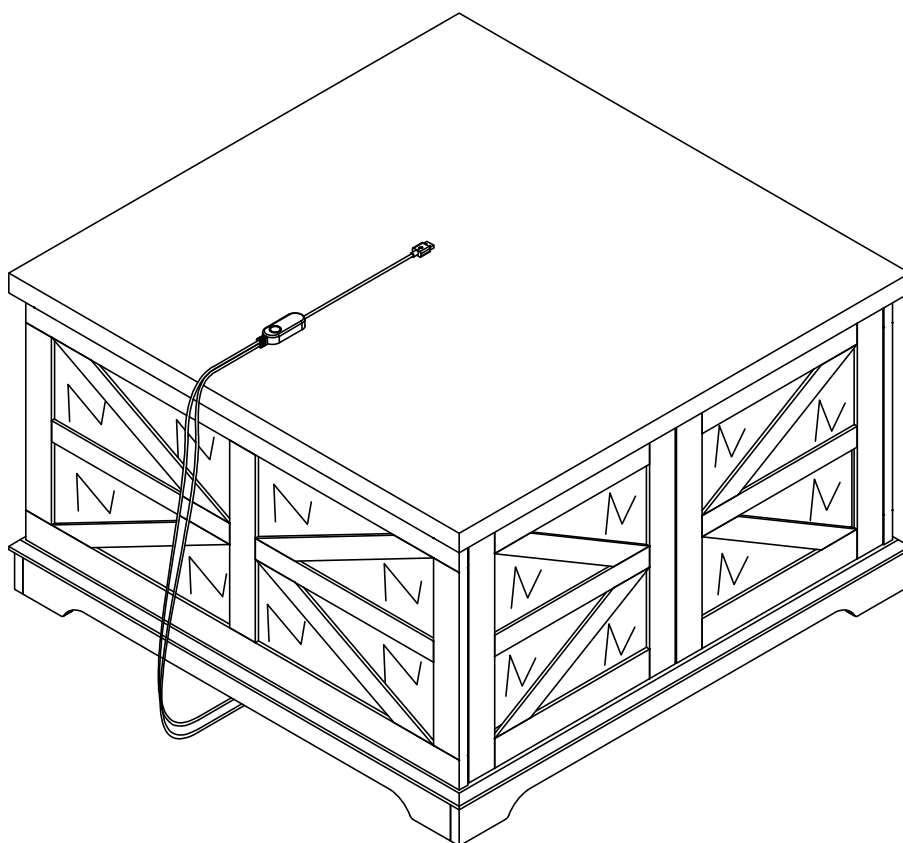
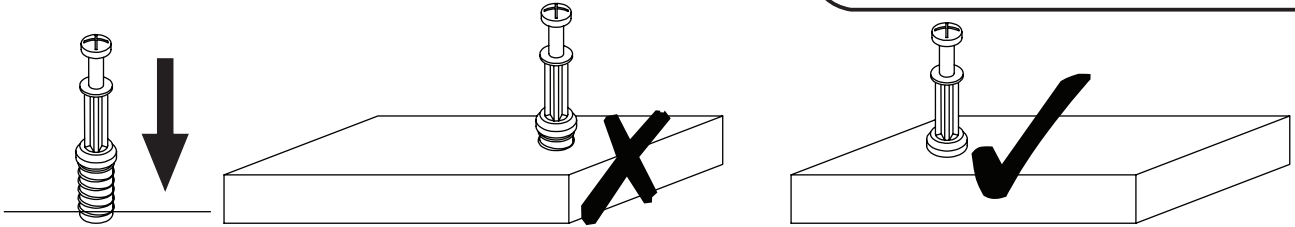


Installation & Assembly

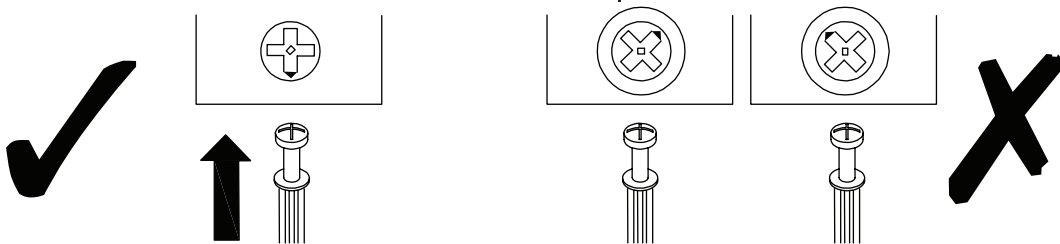


EN_IMPORTANT, RETAIN FOR FUTURE REFERENCE: READ CAREFULLY.

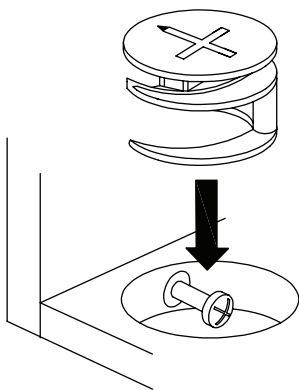
USING CAM LOCK AND QUICKFIT



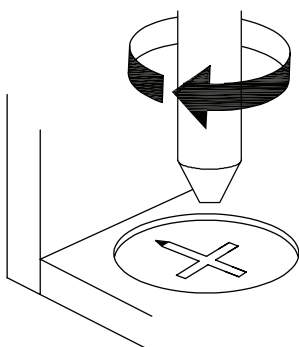
EN_QUICKFIT: Tighten quickfit until shoulder is flush with panel. Do not overtighten or undertighten.



EN_CAM LOCK: When fitting cam lock, ensure starting position is correct before you insert connecting quickfit.

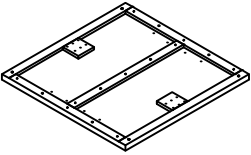
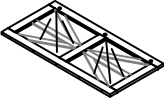
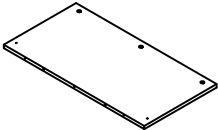
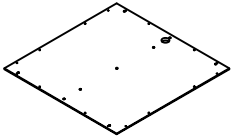


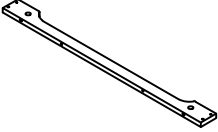
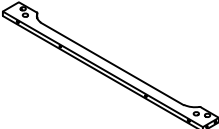


EN_Quickfit head should be in the centre of the cam lock when the two panels are joined.
Cam lock should be inserted before quickfit.

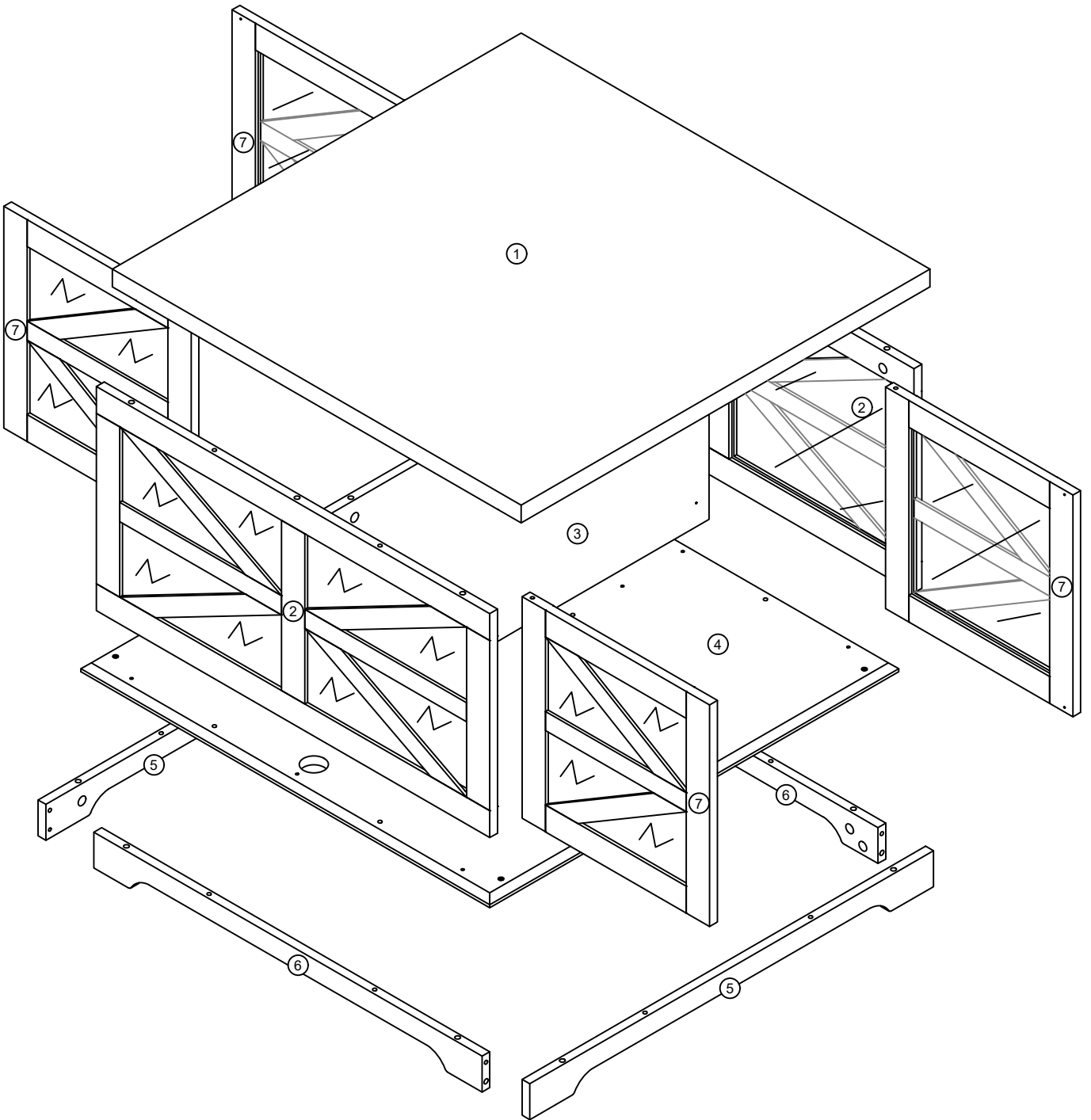


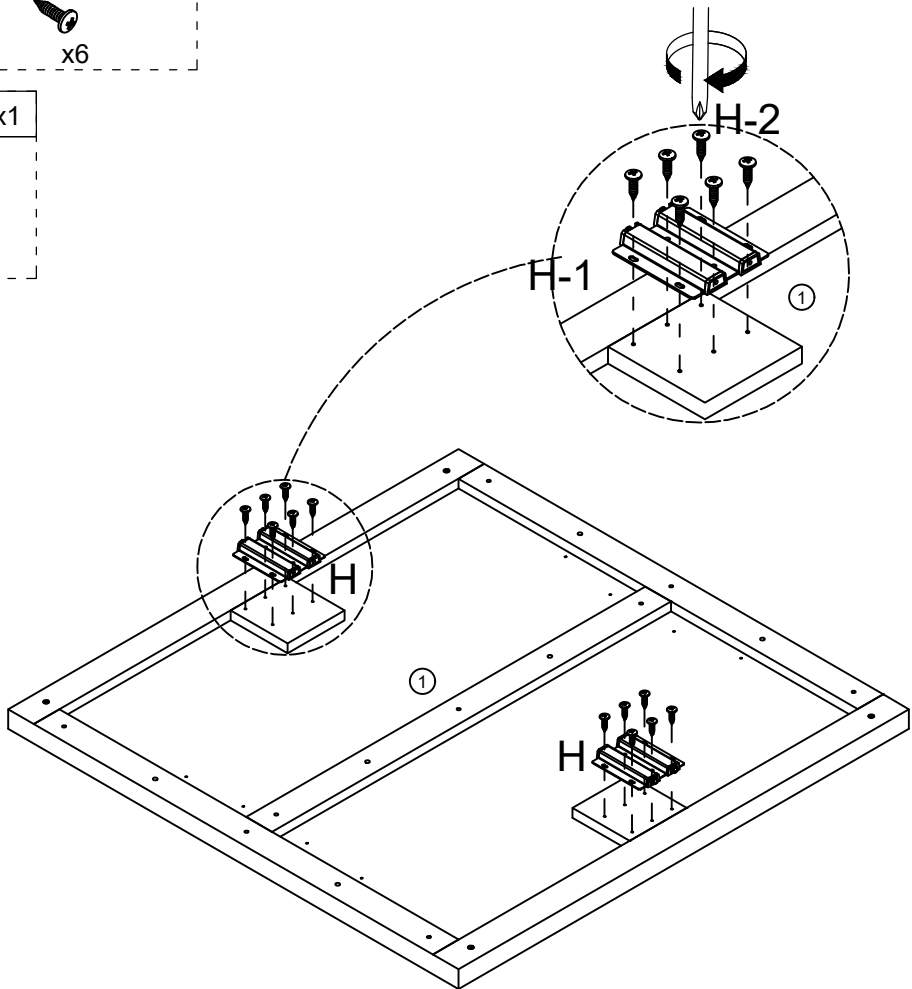
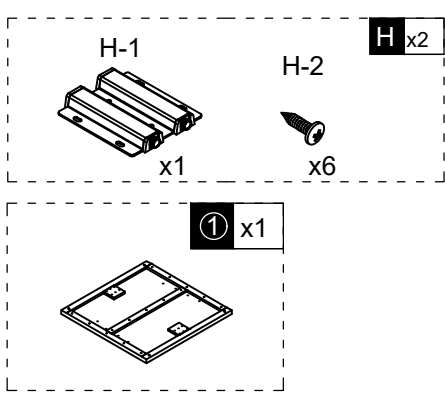
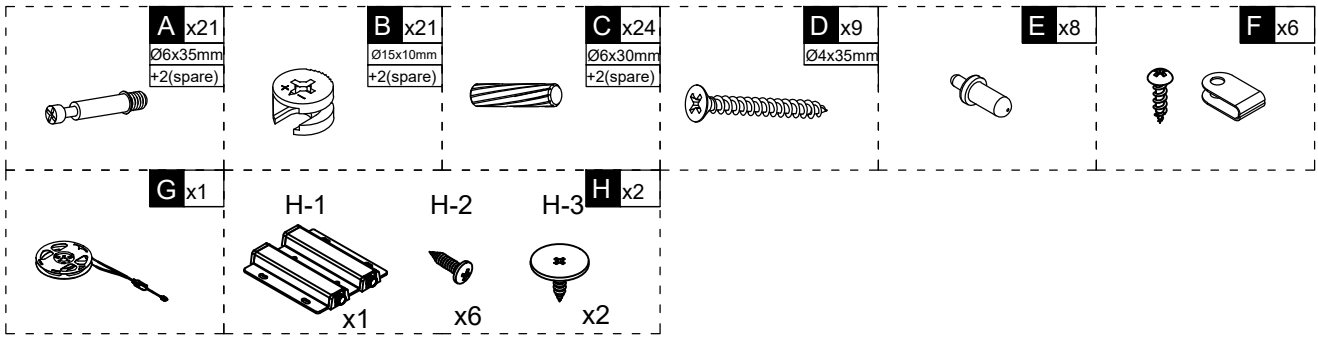
EN_Turn cam lock clockwise to tighten.

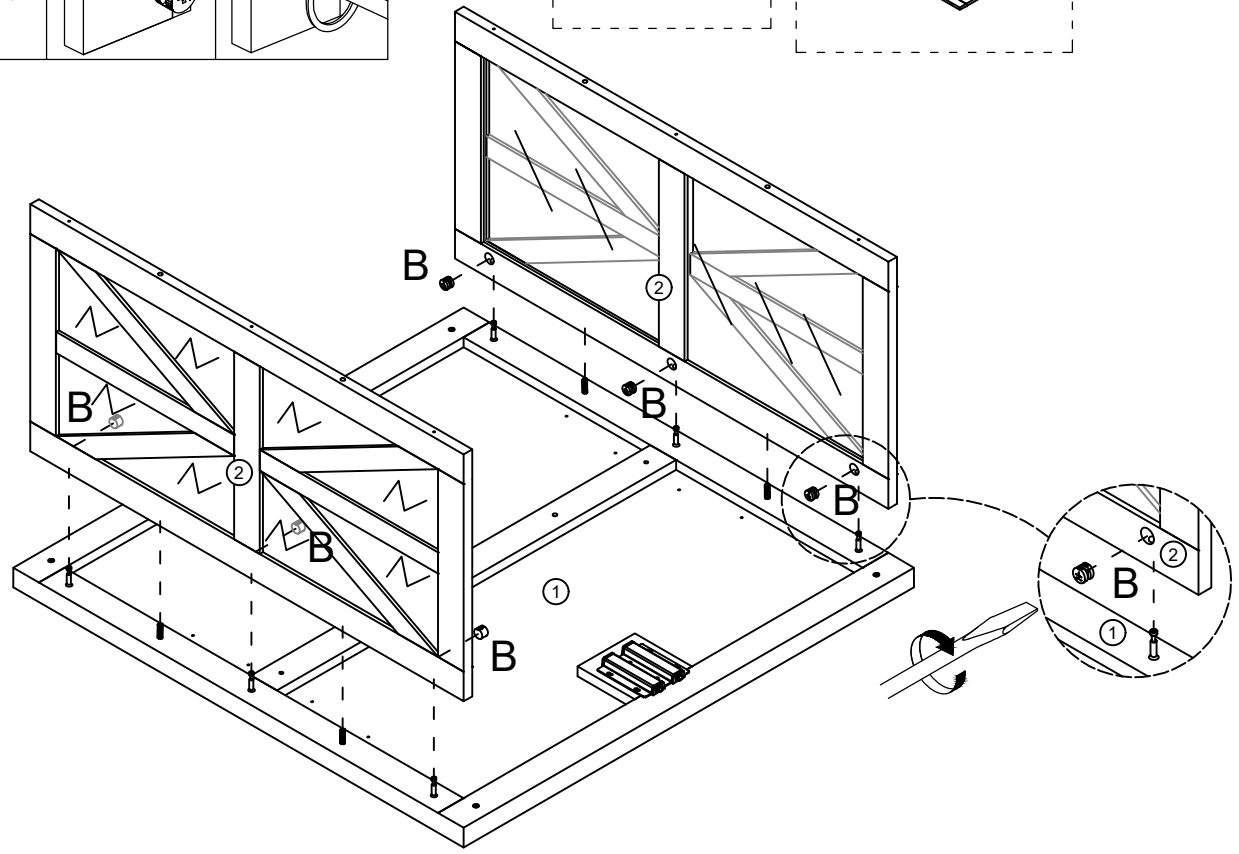
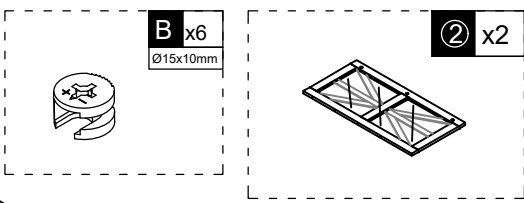
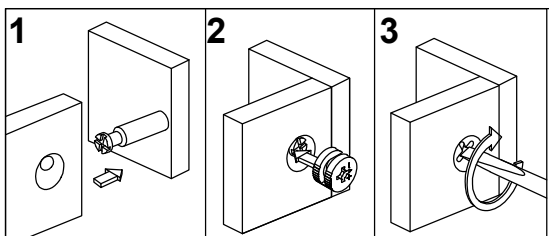
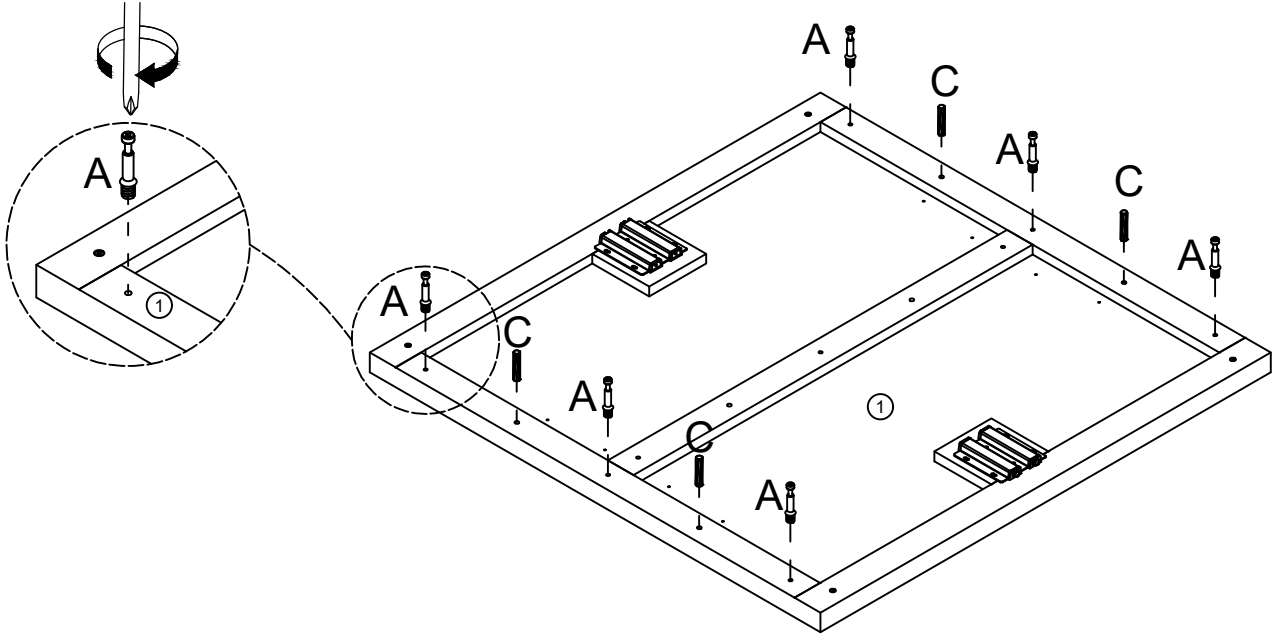
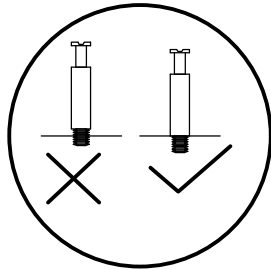
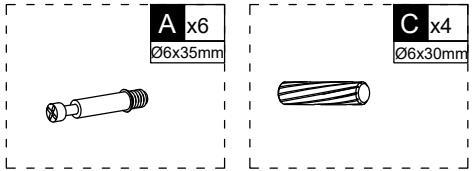
PACKING DELALS

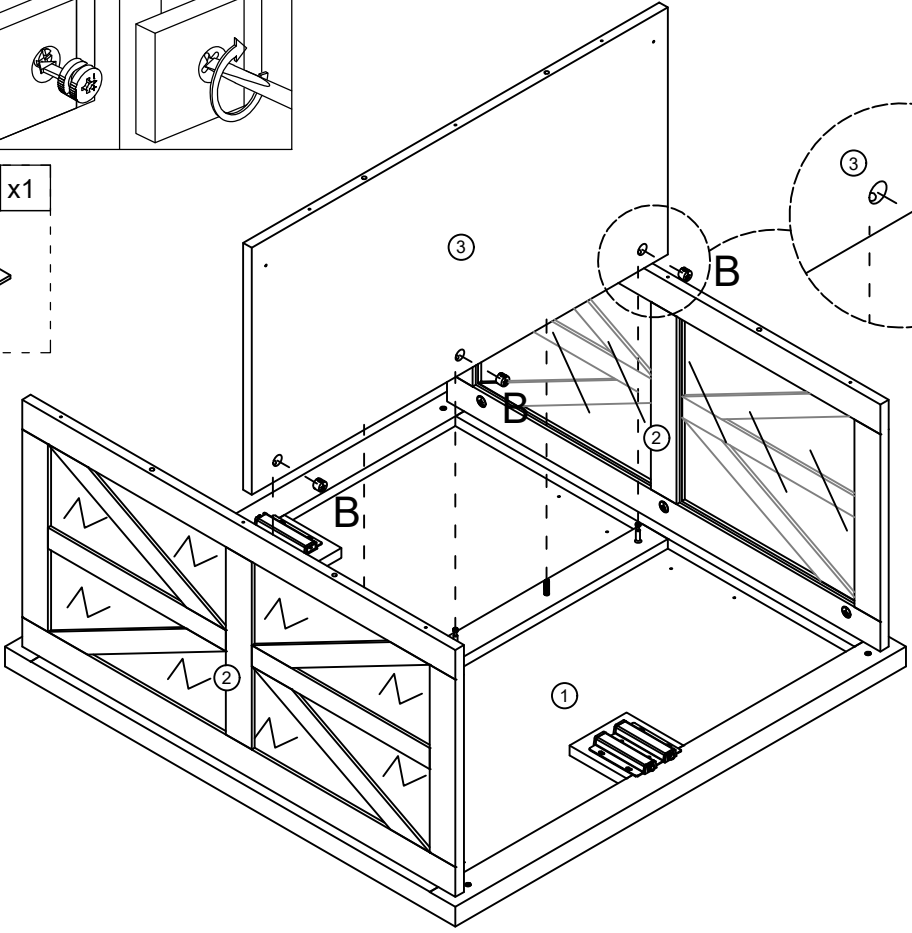
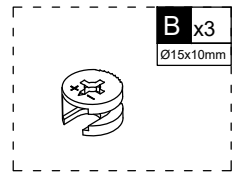
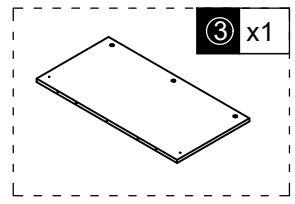
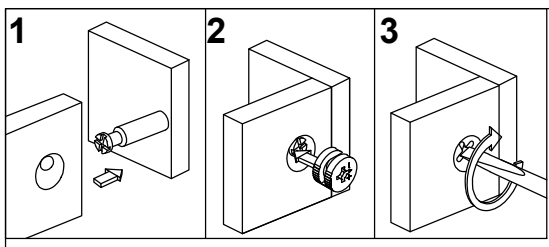
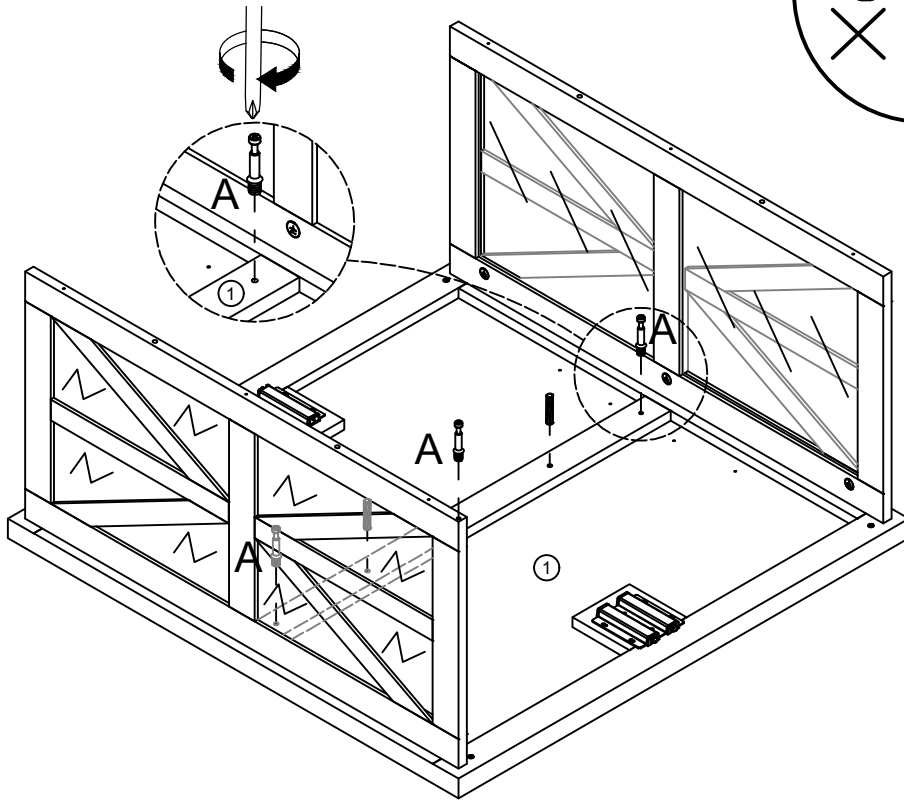
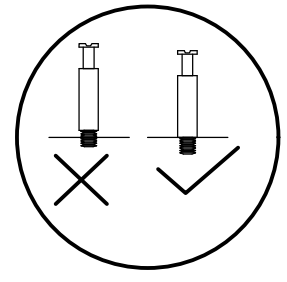
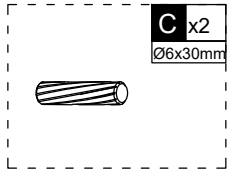
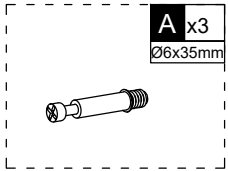
NO.	PARTS	QTY	SPARE
①		x1	
②		x2	
③		x1	
④		x1	

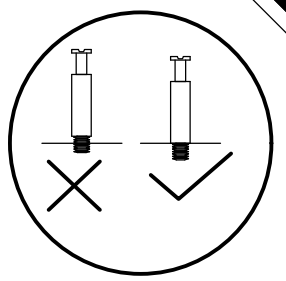
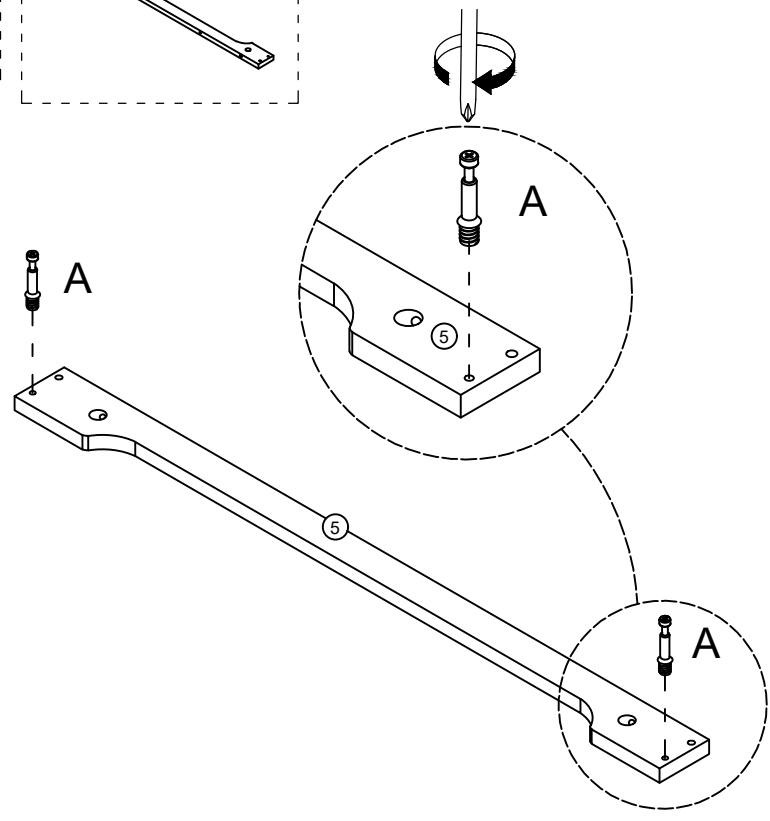
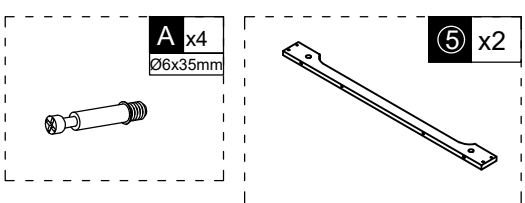
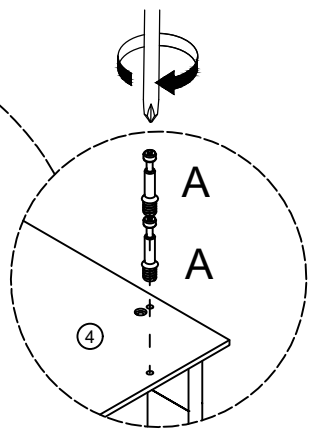
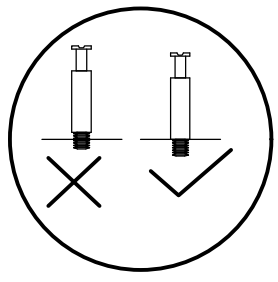
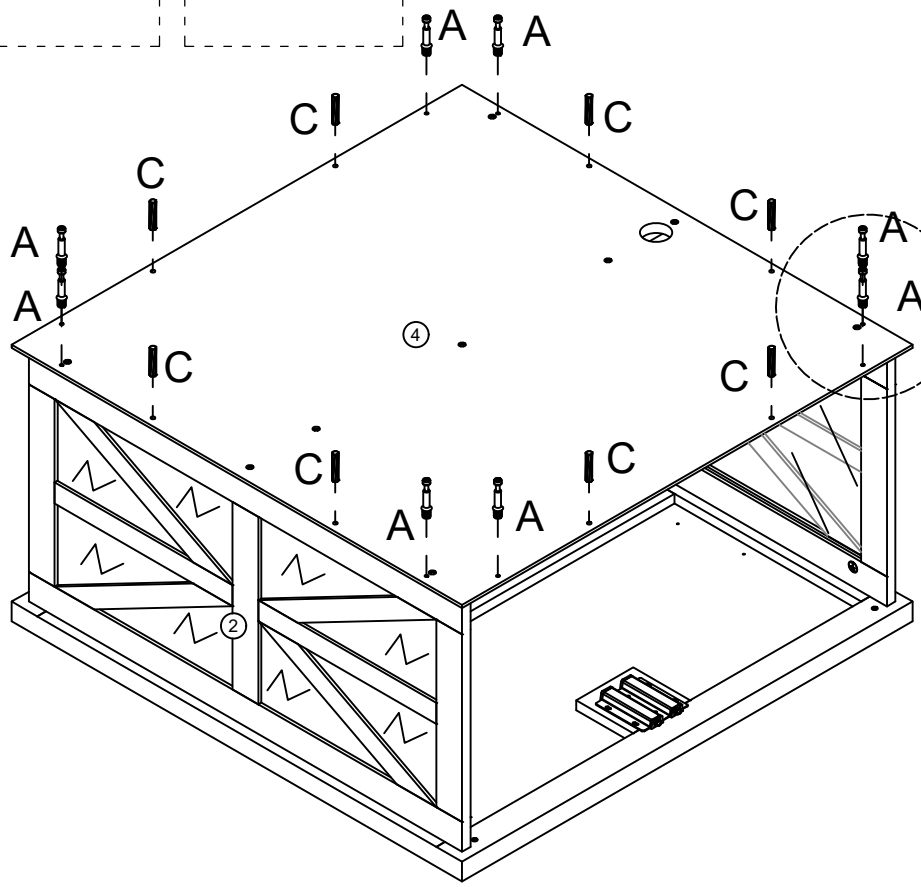
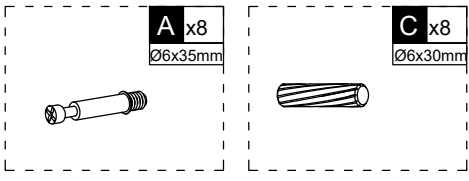
NO.	PARTS	QTY	SPARE
⑤		x2	
⑥		x2	
⑦		x4	
	 Hardware Kit		



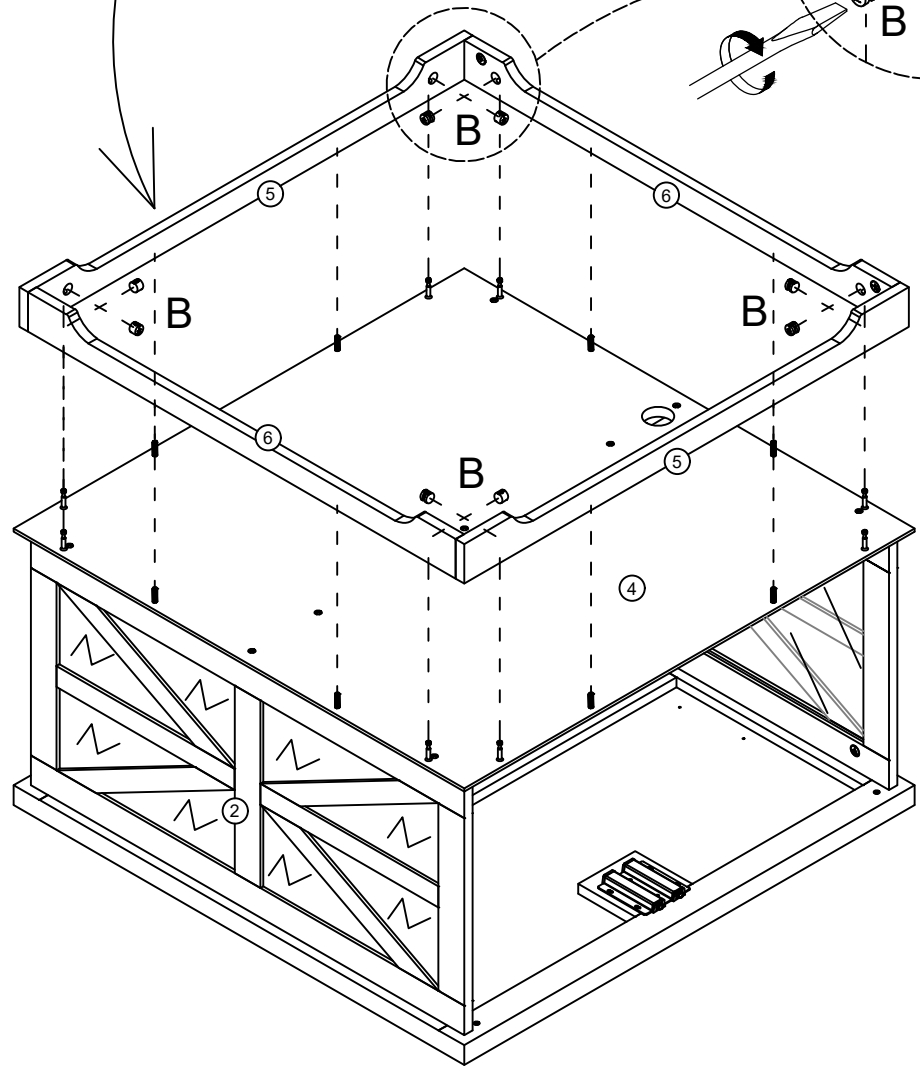
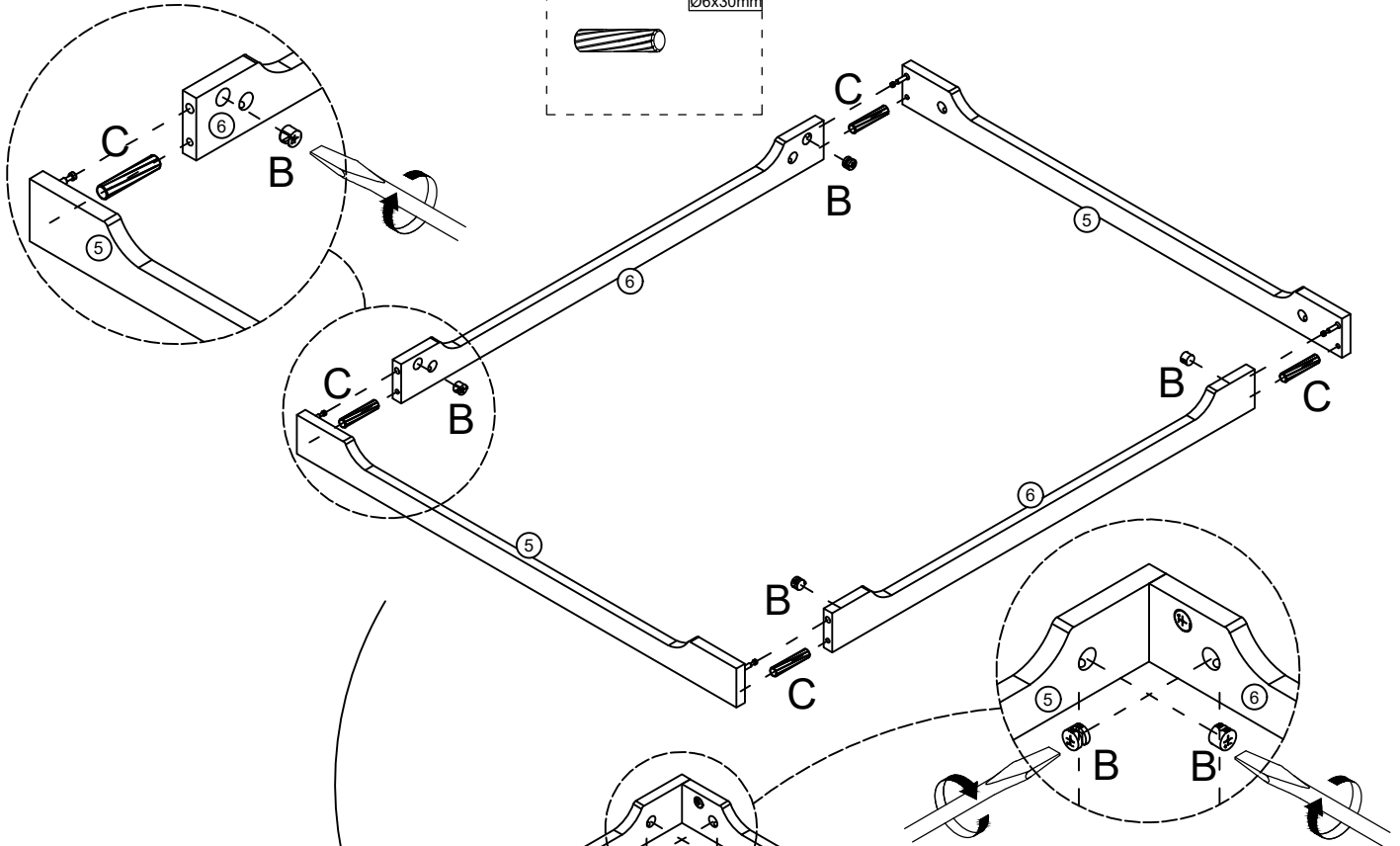
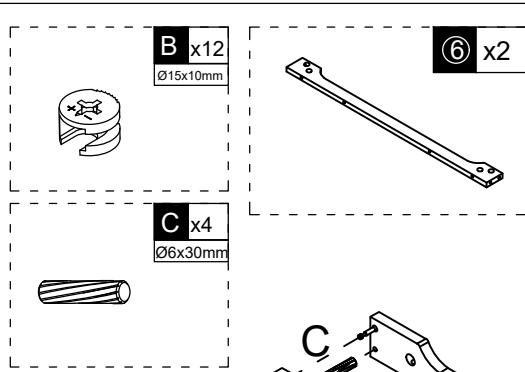
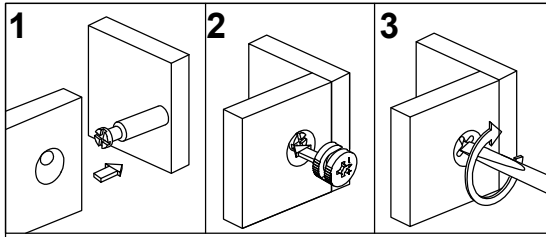


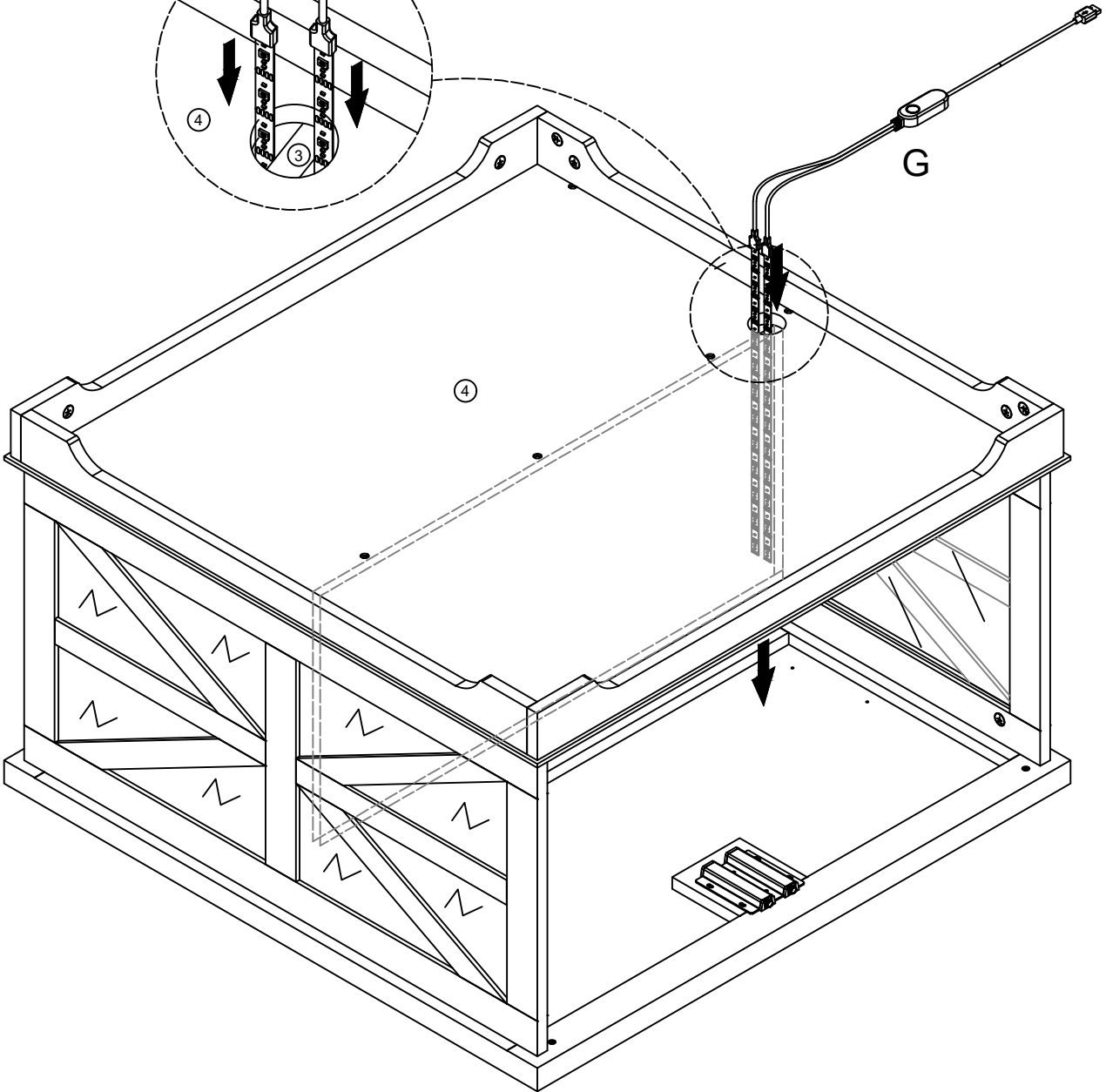
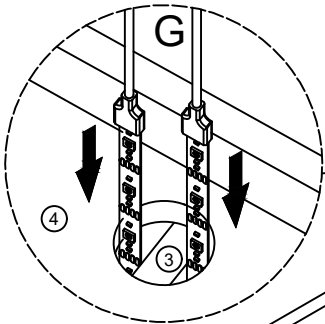
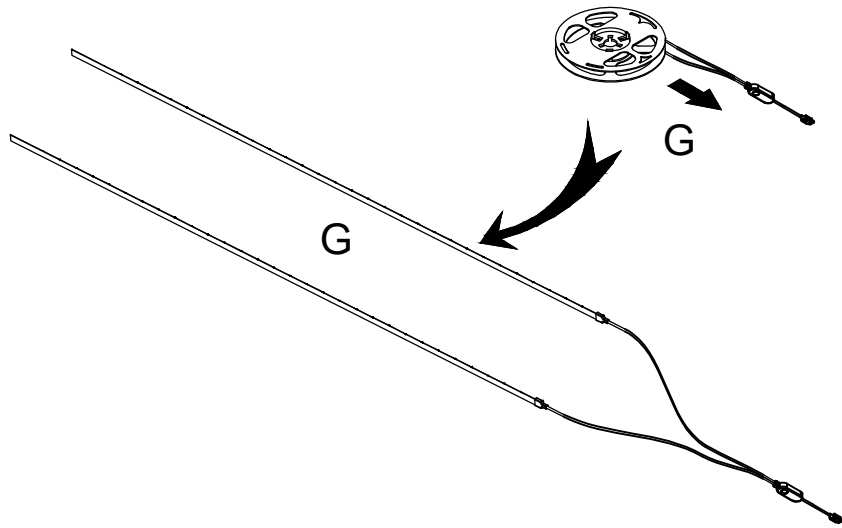
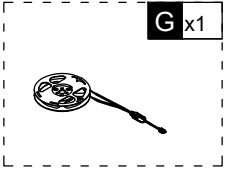


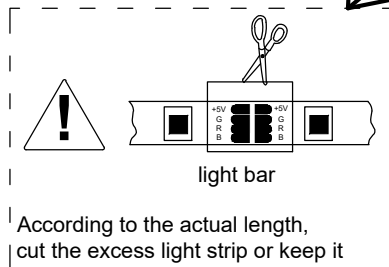
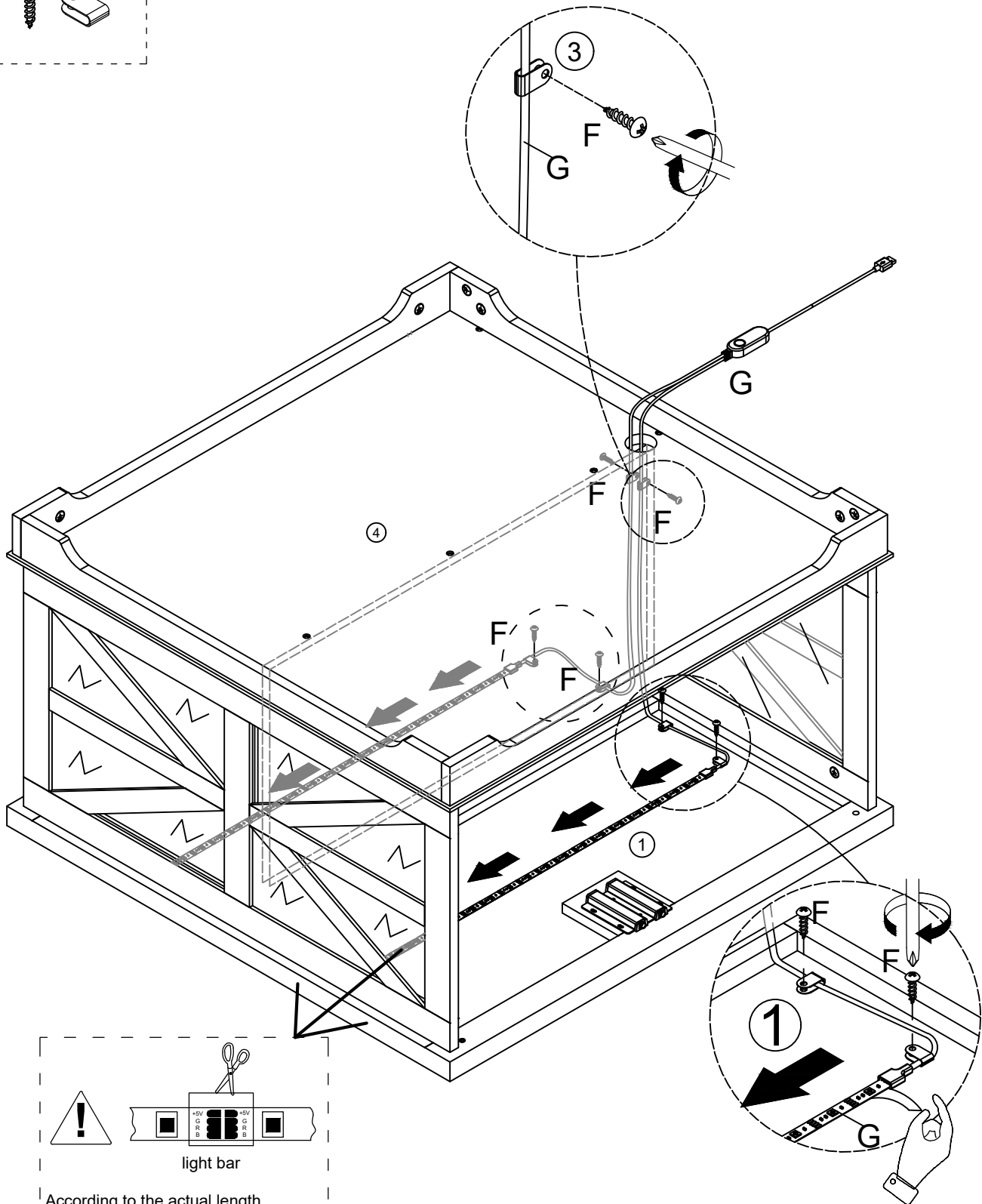
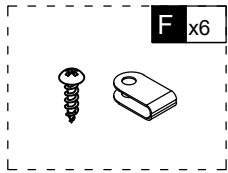




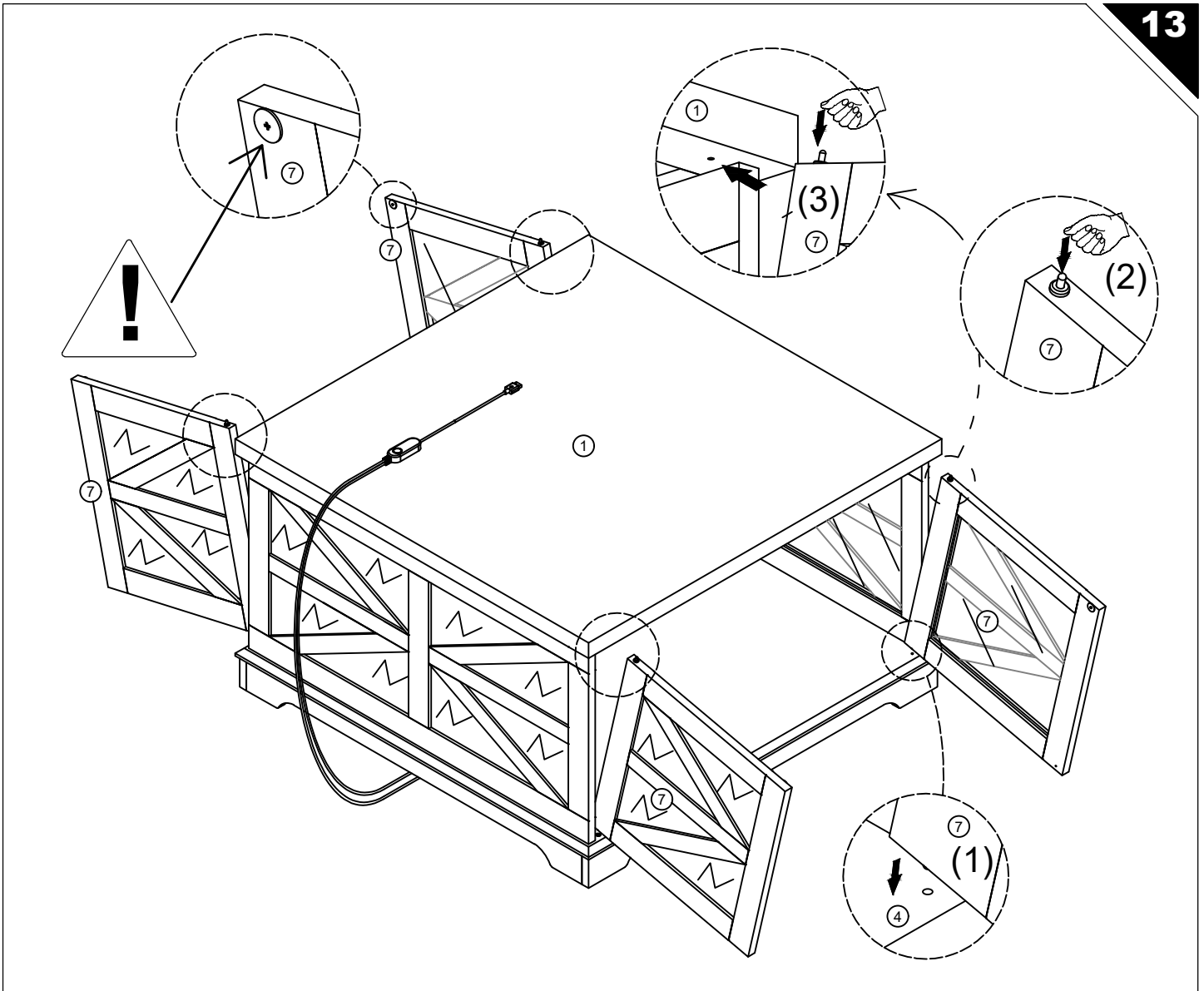
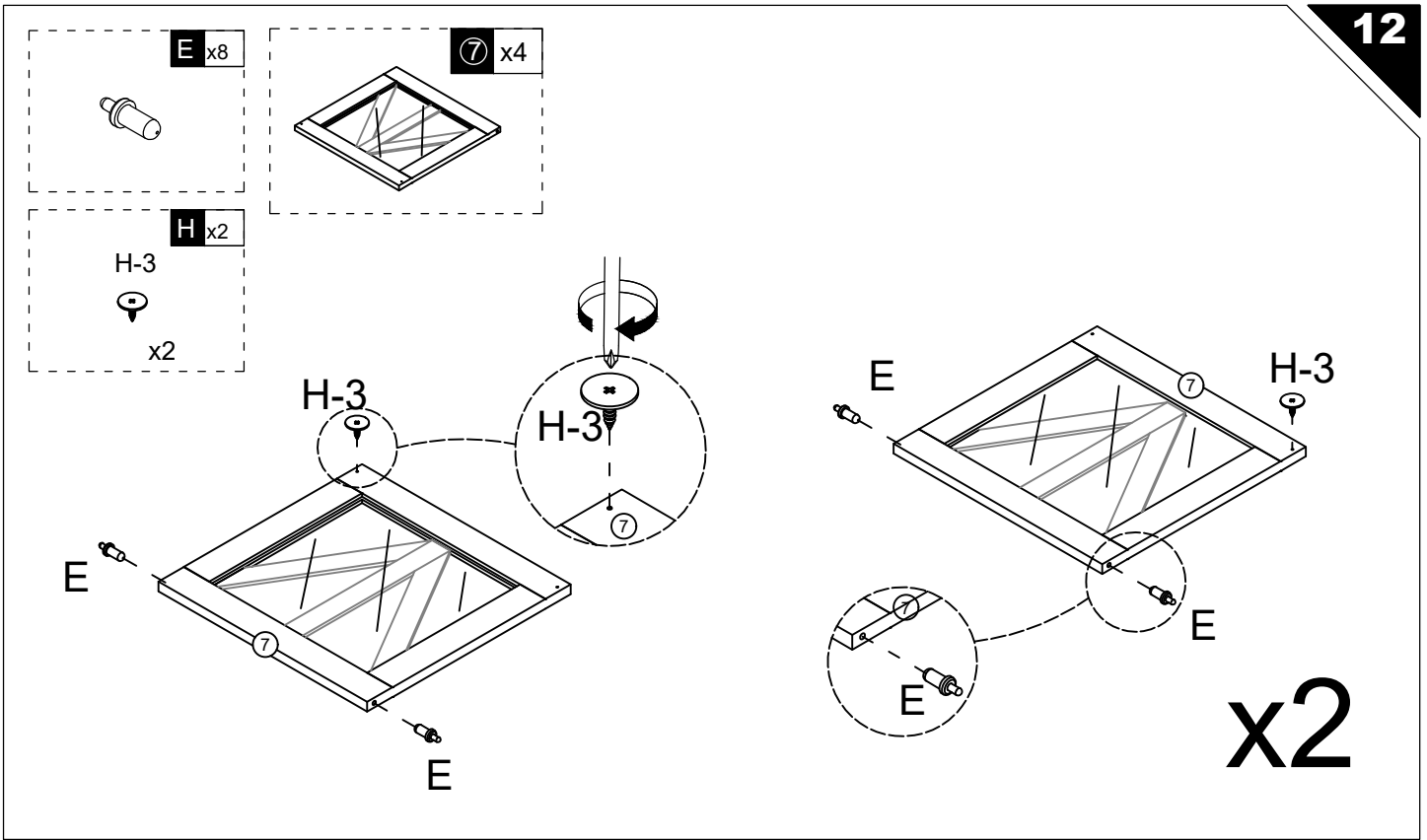
x2

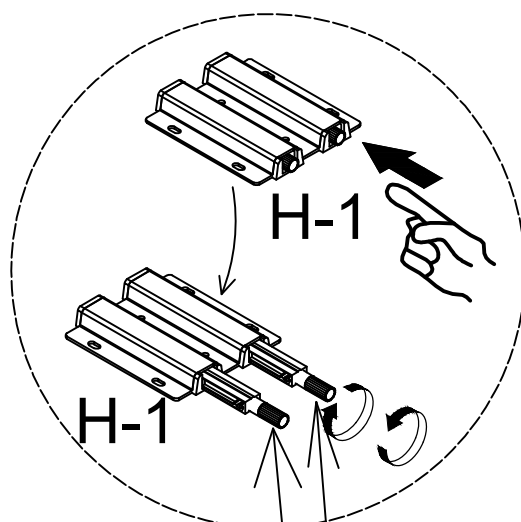




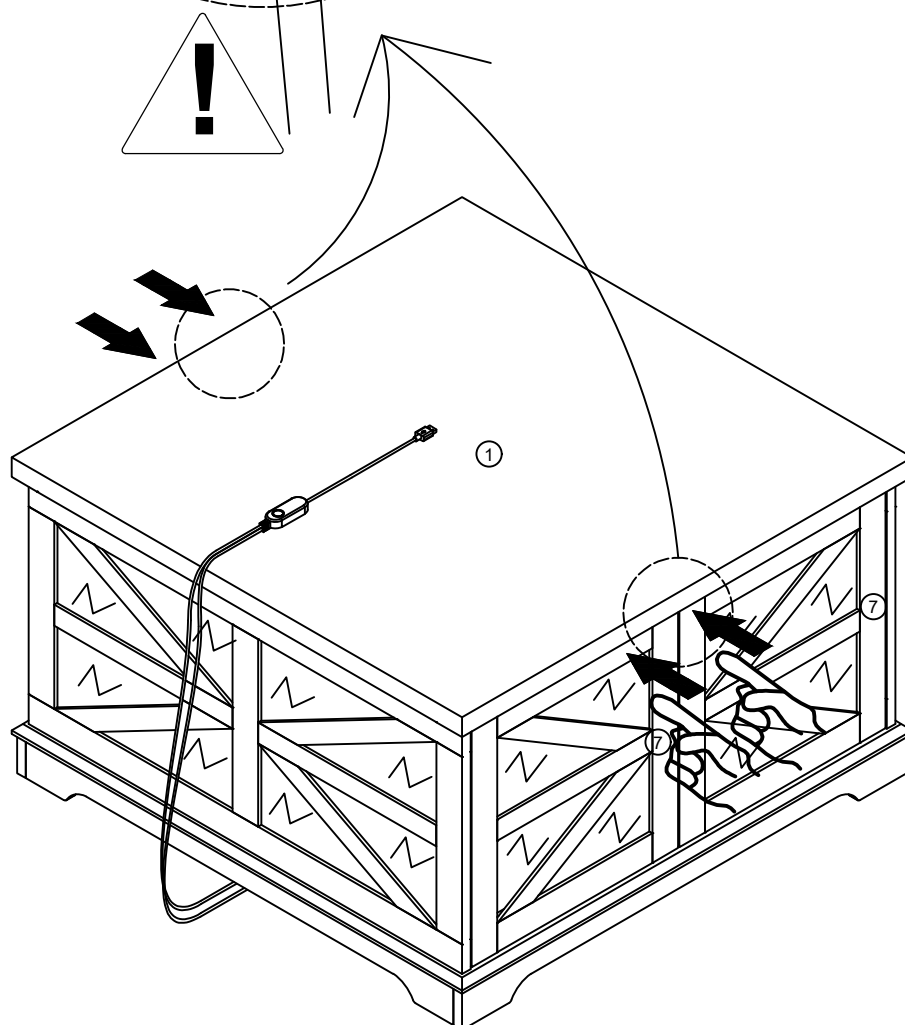


Please peel off a small piece of adhesive on the back of the light strip (G) as shown in the picture, then stick the light strip (G) along the direction indicated in the picture and tear off the adhesive on the back of the light strip (G). Finally, use F screws to thread through the inch buckle and lock it with No. 1.





When the 7th door panel is closed, if the elasticity of H-1 accessories is not suitable, please rotate the front of H-1 accessories.



Power supply

