

# USER MANUAL

## WARNING

1. Be sure the electricity to the wires you are working on is shut off; either the fuse is removed or the circuit breaker is turned off. Turning the power off using the light switch is not sufficient to prevent electrical shock.
2. Do NOT install or use the light fixture if any part is missing or damaged. Contact your dealer for replacement or missing parts.
3. For use with ceiling mounted track only.

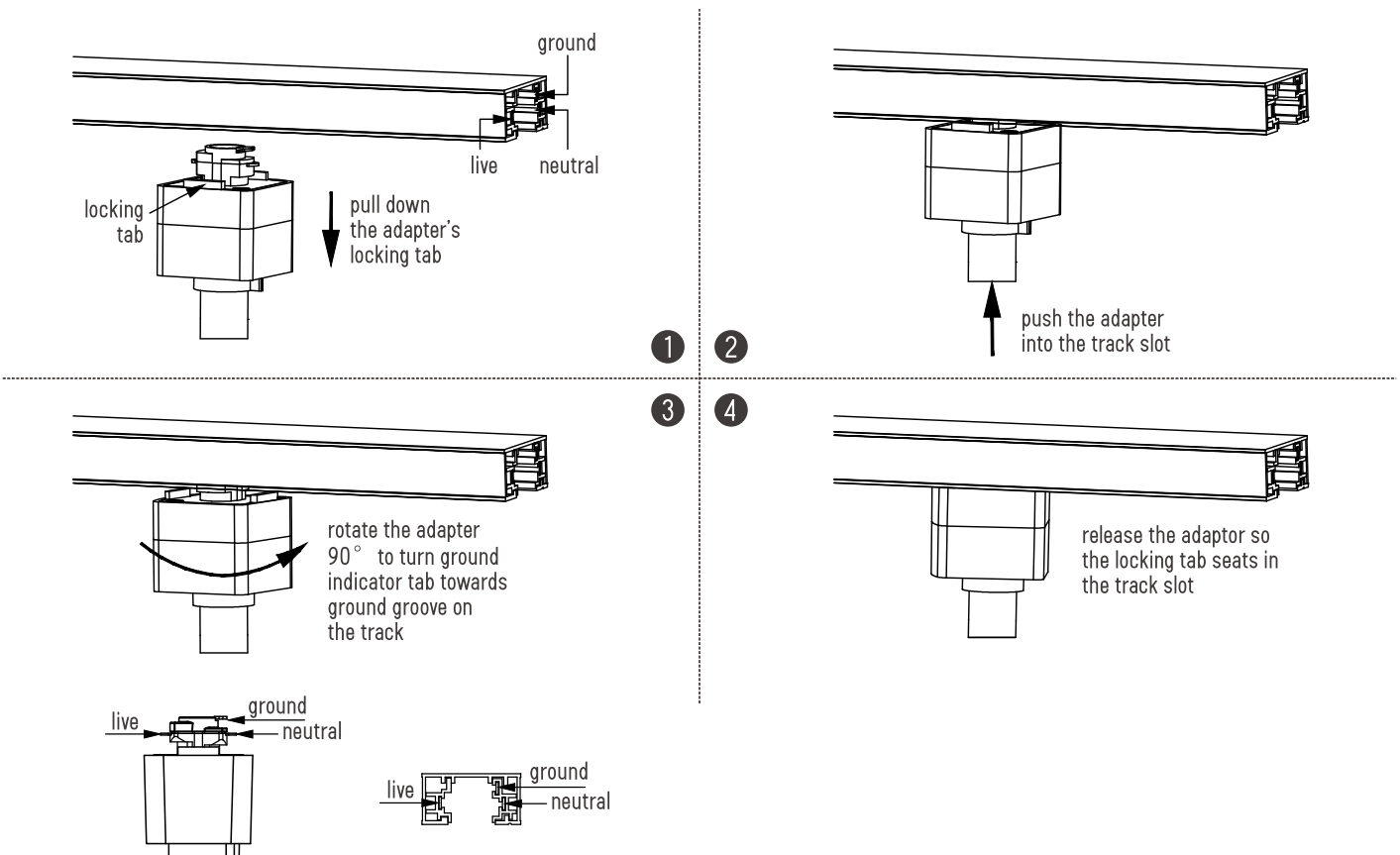
## IMPORTANT SAFETY INSTRUCTIONS

1. Read all instructions.
2. Do NOT install this track system in damp or wet locations.
3. Do NOT install any part of a track system less than 5 feet above the floor.
4. Do NOT install any luminaire assembly closer than 6 inches from any curtain, or similar combustible material.
5. Disconnect electrical power before adding to or changing the configuration of the track system.
6. Do NOT attempt to energize anything other than lighting track luminaires on the track. To reduce the risk of fire and electric shock, do NOT attempt to connect power tools, extension cords, appliances, and the like to the track.
7. Do NOT connect a track to more than one branch circuit unless the track is constructed so that it can be used with more than one branch circuit. Check with a qualified electrician. Although the track lighting system may seem to operate acceptably, a dangerous overload of the neutral may occur and result in a risk of fire.

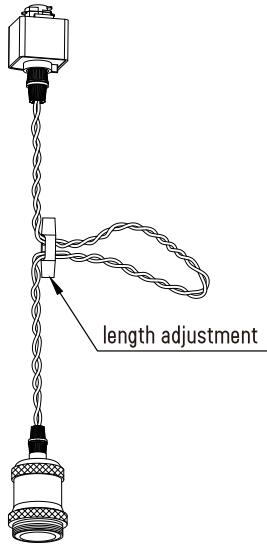
## CAUTION

HOT SURFACE! The track luminaire is hot when the power is on, wait at least 5min to touch it after the power is off.

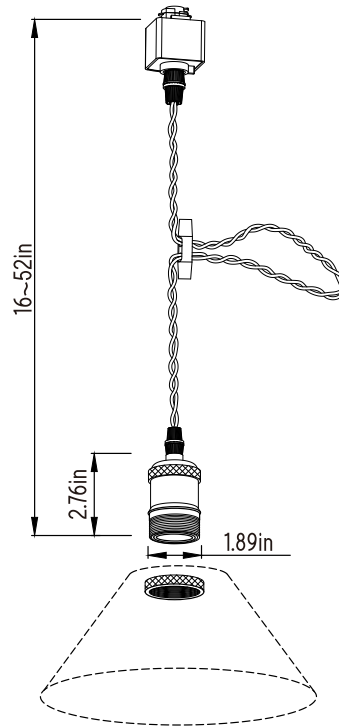
## INSTALLATION DIAGRAM



## DIMENSION



**GDS09**



Maximum weight limit: 4.4 LBS

## SPECIFICATIONS

Model	Voltage	Frequency	Bulb Base	Wattage	Track type
GDS09	120V	60Hz	E26	MAX 60W	H

## LIMITED WARRANTY

The manufacturer warrants all of its lighting fixtures against defects in materials and workmanship for one year from the date of purchase. If within this period the product is found to be defective in material or workmanship, the product must be returned, with a copy of the original sales receipt as proof of purchase. The manufacturer will, at its option, replace or refund the original purchase price to the consumer. This warranty does not cover fixtures becoming defective due to misuse, accidental damage, improper handling and/or installation and specifically excludes liability for direct, incidental or consequential damages. As some states do not allow exclusions or limitations on an implied warranty, the above exclusions and limitations may not apply to you. This warranty gives you specific legal rights, and you may have other rights that vary from state to state.