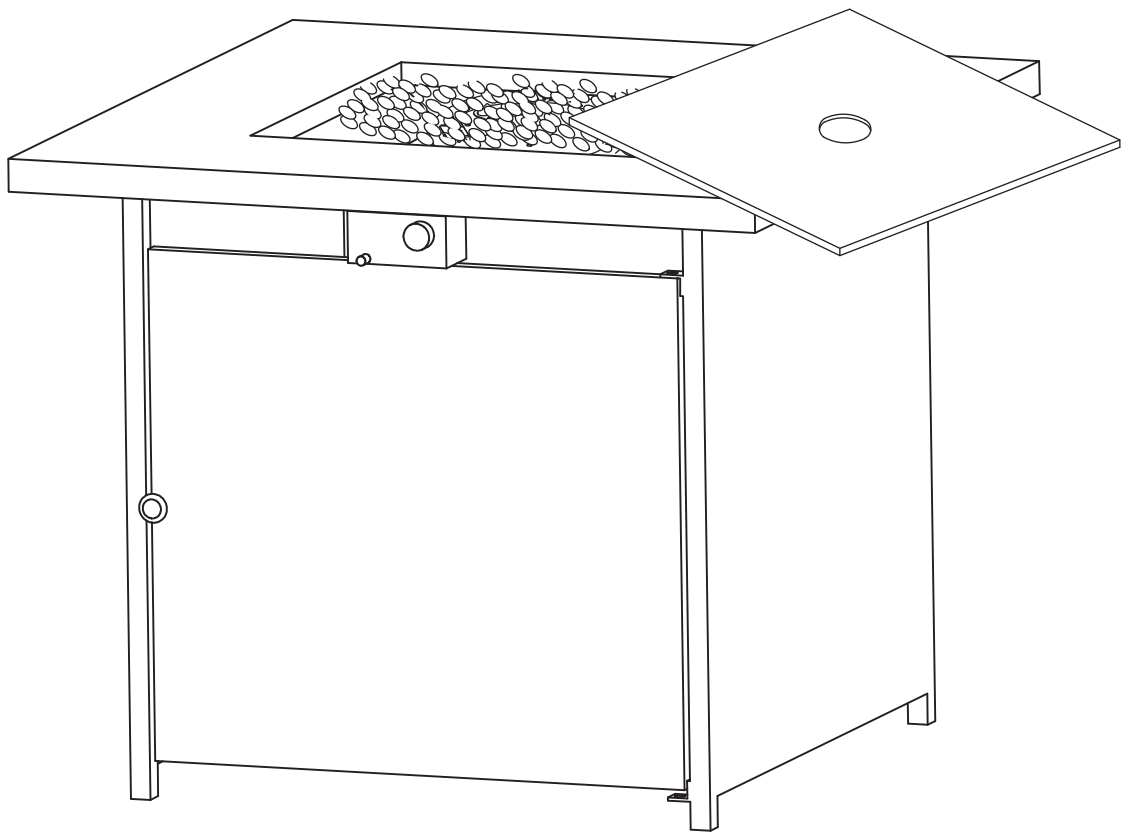


Fire pit table

Instruction manual



* Don't fully tighten all the bolts till the very end!

INSTALLER: Leave this manual with the appliance.
CONSUMER: Retain this manual for future reference.

⚠ WARNING: It is UNSAFE to use this product for cooking!

⚠ WARNING: For Outdoor Use Only.
Installation and service must be performed by a qualified installer, service agency, or the gas supplier.

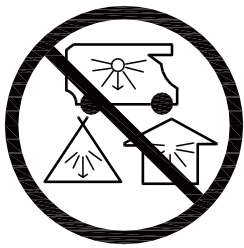
⚠ WARNING
Do not store or use gasoline, or other flammable vapors and liquids in the vicinity of this or any other appliance.
An LP-cylinder not connected for use should not be stored in the vicinity of this or any other appliance.

⚠ DANGER
FIRE OR EXPLOSION HAZARD
If you smell gas:

- Shut off gas to the appliance.
- Extinguish any open flame.
- If odor continues, leave the area immediately.
- After leaving the area, call your gas supplier or fire department.

Failure to follow these instructions could result in fire or explosion, which could cause property damage, personal injury, or death.

⚠ DANGER



CARBON MONOXIDE HAZARD

This appliance can produce carbon monoxide which has no odor. Using it in an enclosed space can be fatal.
Never use this appliance in an enclosed space such as a camper, tent, car or home.

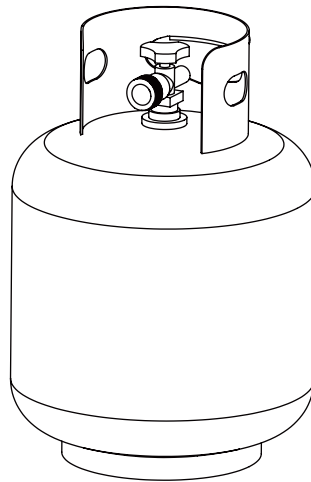
⚠ WARNING:
If the information in this manual is not followed exactly, a fire or explosion may result in property damage, personal injury, or loss of life.

IMPORTANT SAFETY INFORMATION

1. The installation must conform with local codes or in the absence of local codes, with the National Fuel Gas Code, ANSI Z223.1.NFPA 54; National Fuel Gas Code; Natural Gas and Propane Installation Code, CSA B149.1; or Propane Storage and Handling Code, CSA B149.2, as applicable.
2. The appliance must be isolated from the gas supply piping system by closing its individual manual shutoff valve during any pressure testing of the gas supply piping system at test pressures equal to or less than 1/2 psi (3.5 kPa).
3. The maximum inlet gas supply pressure is 250 psi.
4. The appliance area must be kept clear and free from combustible materials, gasoline, and other flammable vapors and liquids.
5. Do not use this appliance if any part has been under water. Immediately call a qualified service technician to inspect the appliance and to replace any part of the control system and any gas control that has been under water.
6. Children and adults should be alerted to the hazards of high surface temperatures and should stay away to avoid burns or clothing ignition.
7. Young children should be carefully supervised when they are in the area of the appliance.
8. Clothing or other flammable materials should not be hung from the appliance or placed on or near the appliance.
9. Any guard or other protective device removed for servicing the appliance shall be replaced prior to operating the appliance.
10. Installation and repair should be done by a qualified service person. The appliance should be inspected before use and at least annually by a qualified service person. More frequent cleaning may be required as necessary. It is imperative that the control compartment, burners, and circulating air passageways of the appliance are kept clean.
11. CAUTION: The propane gas pressure regulator provided with this appliance must be used. This regulator is set for an outlet pressure of 11 inches water column.
12. DO NOT burn solid fuels in this appliance.
13. This outdoor gas appliance is for Outdoor Use ONLY.
14. This outdoor gas appliance is not intended to be installed in or on recreational vehicles and/or boats.
15. This outdoor appliance is not for use on wood decks or other flammable surface.
16. Before each use of this gas appliance, open the door and/or the LP (Liquid Propane) Tank Drawer and inspect the hose. If there is evidence of excessive abrasion or wear or if the hose is damaged, the hose assembly must be replaced prior to the appliance being put into operation. Use only the replacement hose assembly specified in this manual. Make sure to leak test.
17. Before each use of this gas appliance, inspect the burner. The burner must be replaced prior to the appliance being put into operation if it is evident that the burner is damaged. Use only the replacement burner specified in this manual.
18. Make sure to properly locate the gas hose including locating the hose out of pathways where people may trip over it or in areas where the hose may be subject to accidental damage.
19. Keep the fuel supply hose away from any heated surface.
20. Never use this appliance closer than 10 feet from anything flammable, including houses or overhead tree branches.
21. Never use gasoline, kerosene, or any other liquid fuel to start a fire.
22. Always maintain a safe distance from the fire.
23. Always supervise children around the fire.
24. Never leave a fire unattended.
25. The appliance is hot during and after use, always allow ample cooling time before touching or moving.

IMPORTANT SAFETY INFORMATION ABOUT PROPANE (LP) GAS

1. The LP-gas supply cylinder to be used must be constructed and marked in accordance with the U.S. Department of Transportation (D.O.T.) Specifications for LP-Gas Cylinders, or the Standard for Cylinders, Spheres and Tubes for Transportation of Dangerous Goods and Commission, CAN/CSA-B339, as applicable.
2. The LP-gas supply cylinder to be used must have a listed overfilling prevention device (See Figure 1).
3. The LP-gas supply cylinder to be used must have a cylinder connection device compatible with the connection for the appliance.
4. A self-contained LP-gas cylinder for use with this appliance must have a capacity of 20 lbs cylinder (Height approximately 18 in., Tank Body approximately 12 in. diameter, Base approximately 8 in. diameter).
5. The cylinder supply system must be arranged for vapor withdrawal.
6. The cylinder used must include a collar to protect the cylinder valve.
7. This appliance shall be used only outdoors in a well-ventilated space and shall not be used in a building, garage or any other enclosed space.
8. When this appliance is not in use, the gas must be turned off at the supply cylinder.
9. Storage of this appliance indoors is permissible only if the cylinder is disconnected and removed from the appliance.
10. Cylinders must be stored outdoors in a well-ventilated area out of the reach of children. Disconnected cylinders must have threaded valve plugs tightly installed and must not be stored in a building, garage or any other enclosed areas.
11. This appliance is certified by CSA (Canadian Standards Association) to ANS Z21.97 CSA 2.41-2017, Outdoor Decorative Gas Appliances.

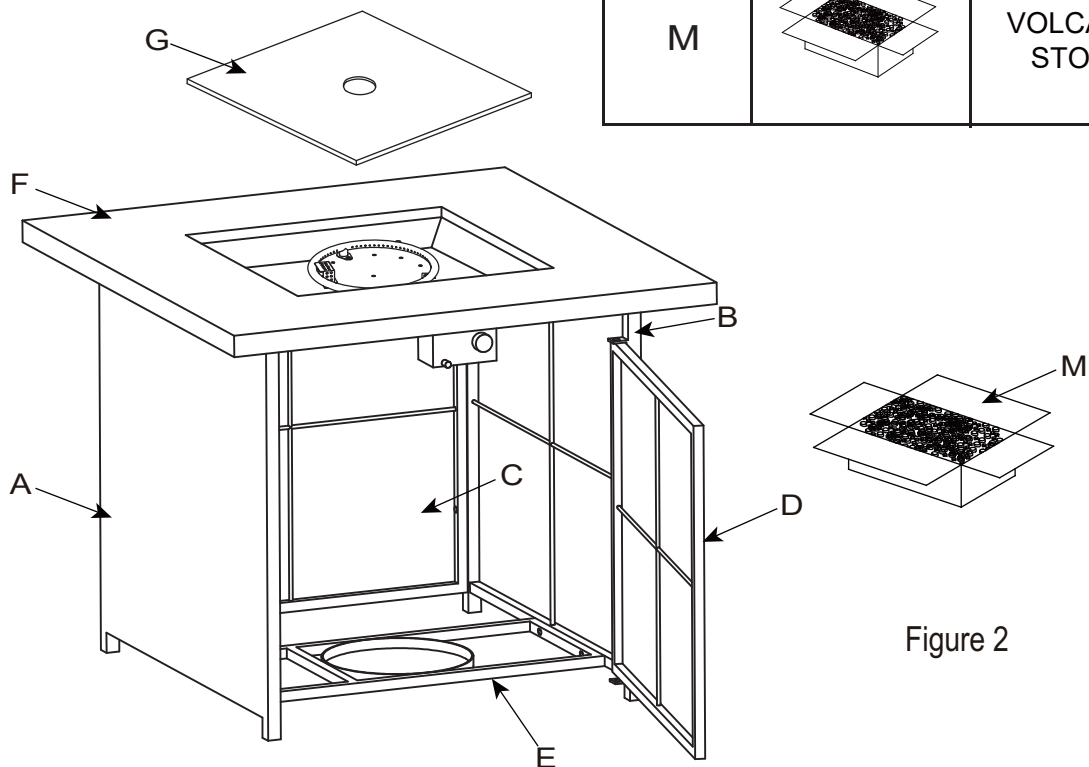


Standard 20 lb.tank

Figure 1

PART LIST

| CODE | IMAGE | PARTS | QTY | CODE | IMAGE | PARTS | QTY |
|------|-------|----------------------|-----|------|-------|----------------|-----|
| A | | SIDE PANEL A | 1 | G | | LID | 1 |
| B | | SIDE PANEL B | 1 | H | | WASHERS | 14 |
| C | | SIDE PANEL | 1 | I | | M6*15 | 2 |
| D | | SIDE PANEL WITH DOOR | 1 | J | | M6*20 | 4 |
| E | | CYLINDER HOLDER | 1 | K | | M6*30 | 8 |
| F | | TABLE TOP | 1 | L | | HEX KEY | 1 |
| | | | | M | | VOLCANIC STONE | 1 |

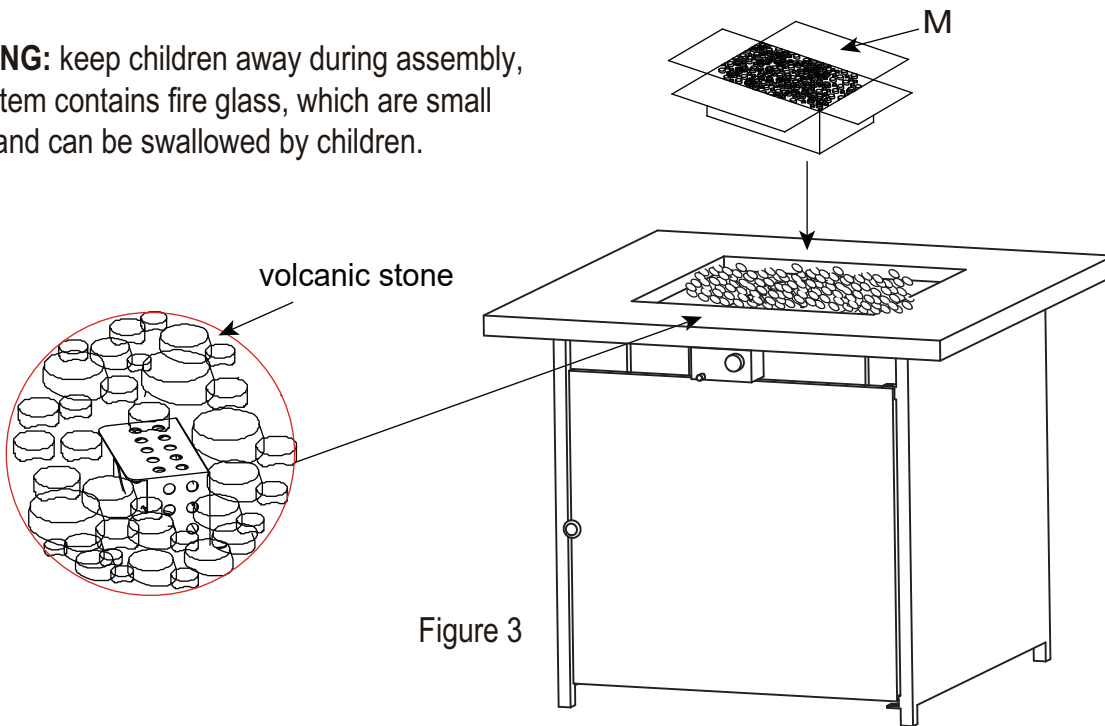


STEP 1: Remove the part from carton to a safe place.

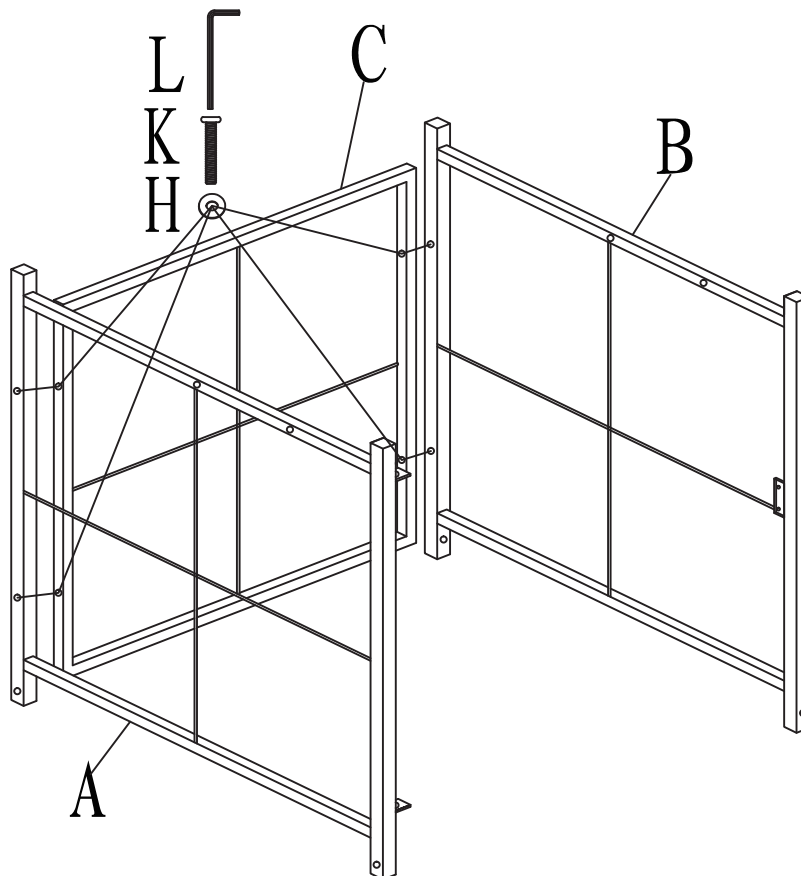
Caution: Burner fixed on (F) ; Do not break the burner.

Caution: Do not remove the label on the pilot box until volcanic stone is insert.

WARNING: keep children away during assembly, as this item contains fire glass, which are small pieces and can be swallowed by children.



STEP 2: Attach the side panel(A) (B) (C) by 4 PC bolts(K) and 4 washer(H) with Hex key(L)
Don't fully tighten bolts



STEP 3: Attach the cylinder holder(E) to side panel by 4 pcs bolts(K) and 4 washers(H) with Hex key (L) Don't fully tighten bolts.

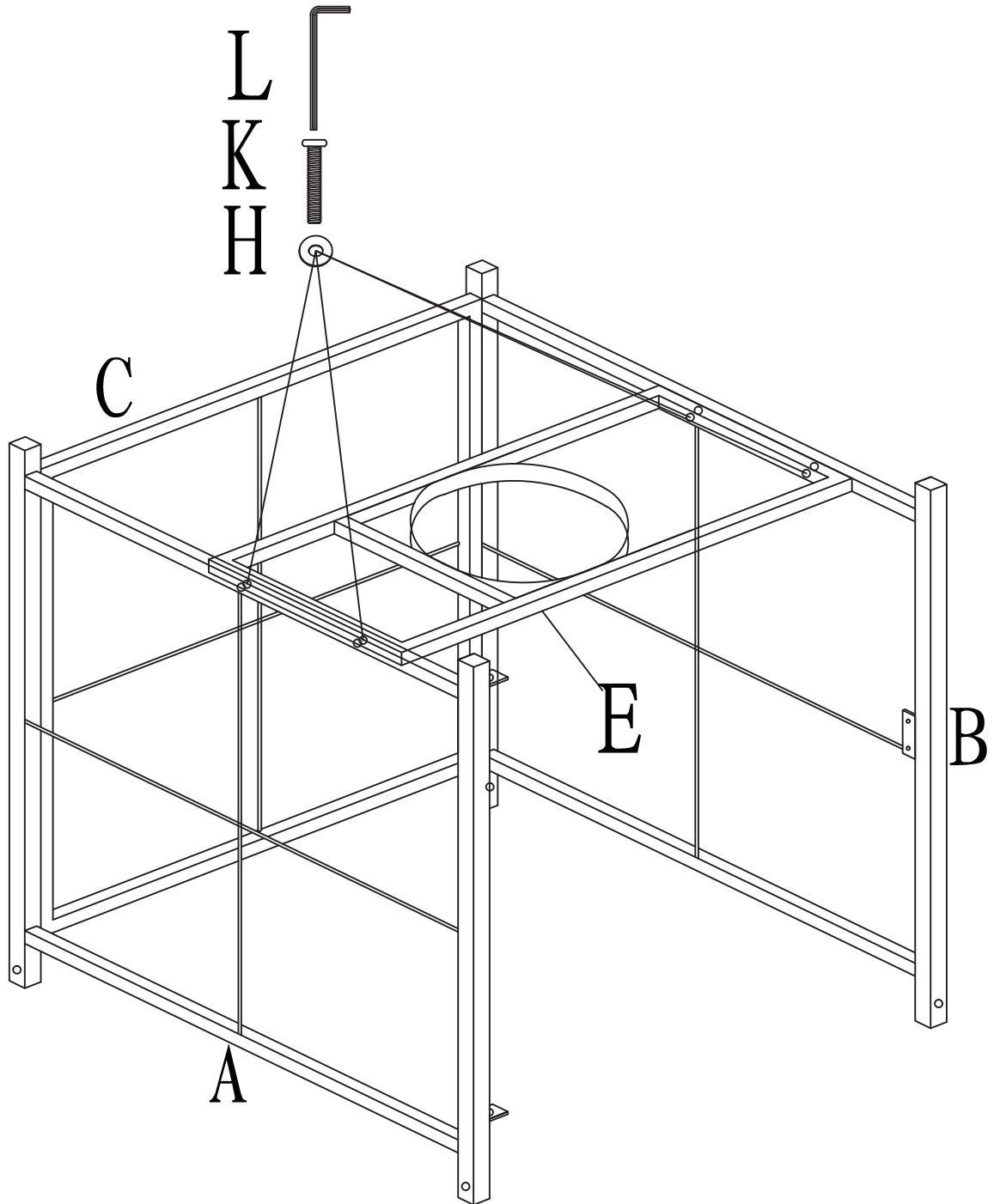


Figure 5

STEP 4: Attach the side panel D to the side panel (A) (B) by 2 bolts (I) and 4 washer (H) with Hex key (L). Don't fully tighten bolts.

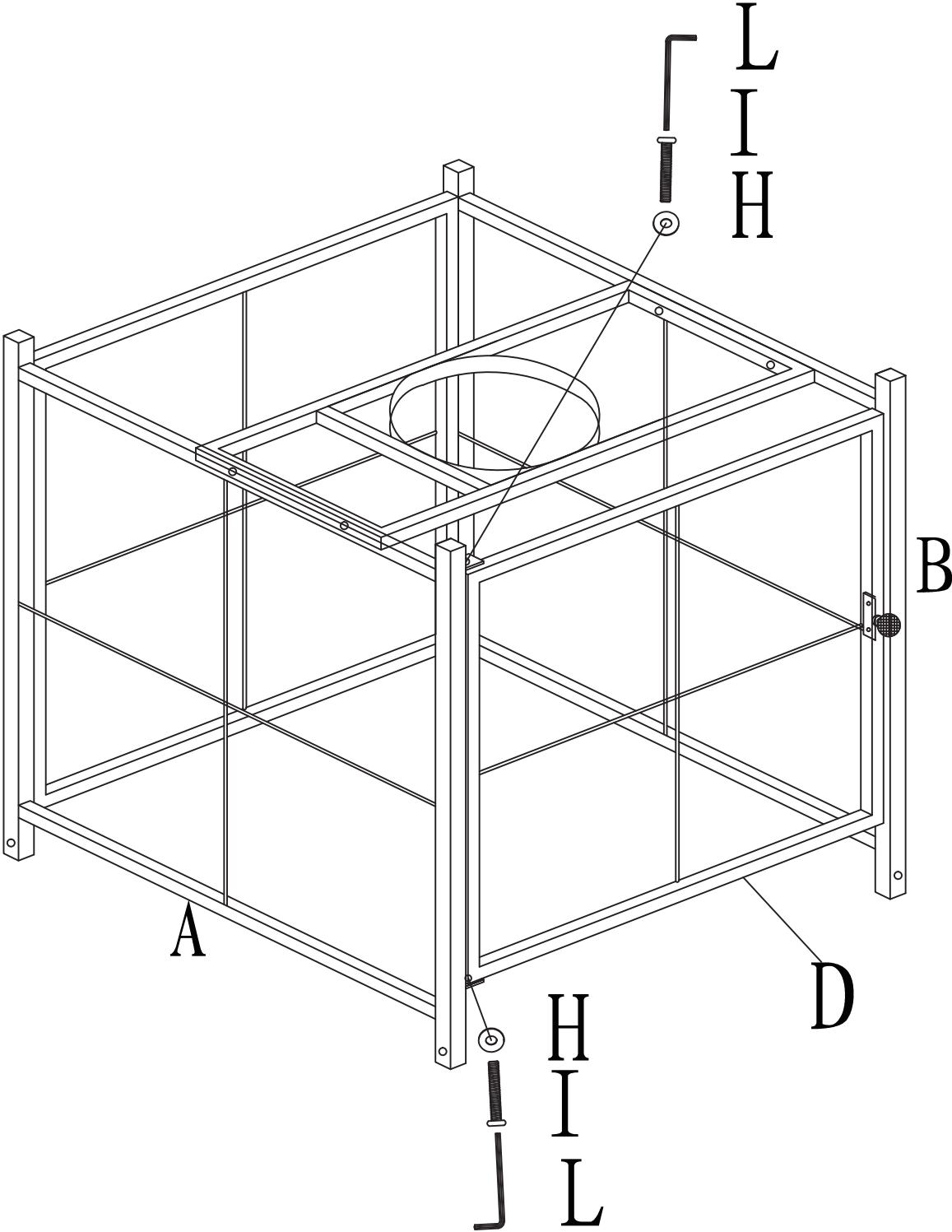


Figure 6

STEP 5: Keep the table top upside down as Figure 7. Attach the table top (F) to side panels by 4 bolts (J) and washers (H) by Hex key (L). Verify the alignment and adjust, then fully tighten all the bolts

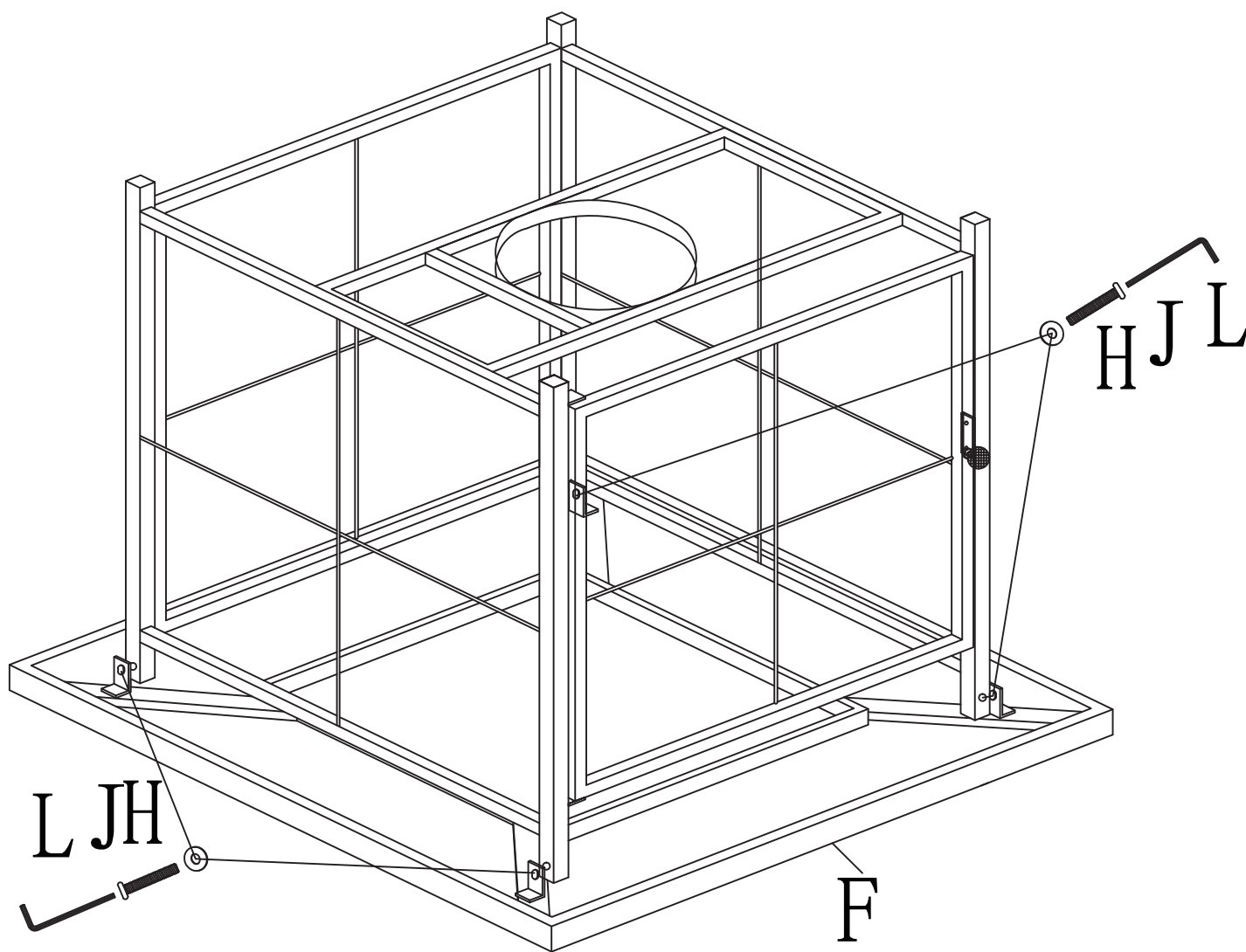


Figure 7

STEP 6: Turn over the table. put the volcanic stone (M) around the burner.

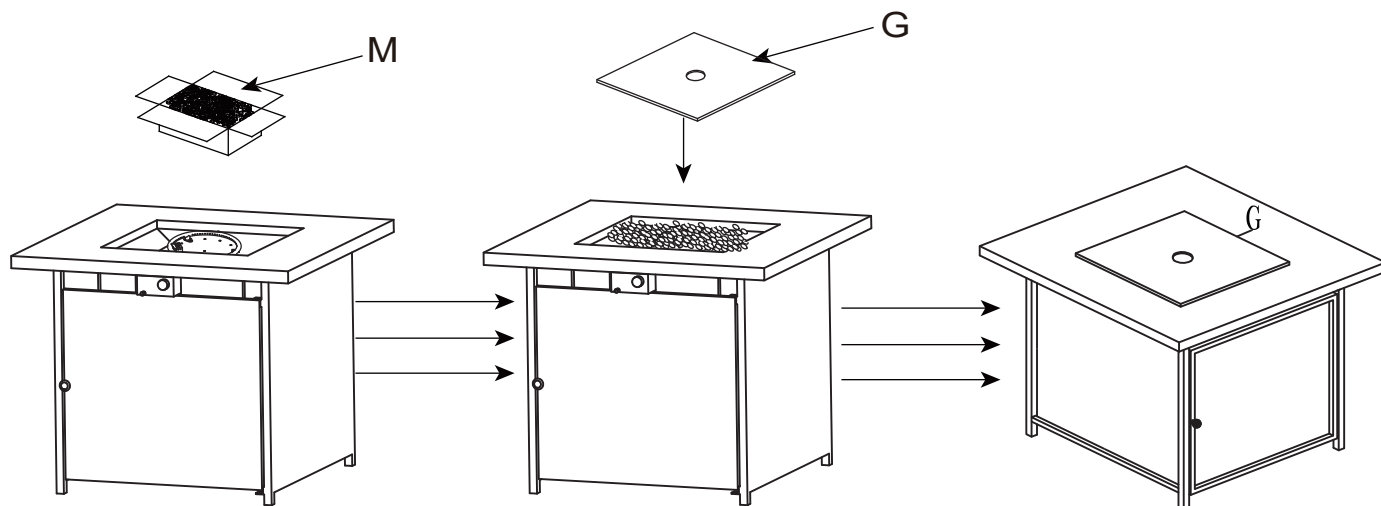


Figure 8

STEP 7: Place the gas cylinder into the cylinder holder (figure 9), secure the cylinder by tightening clockwise the bolt (figure 10) found on the cylinder holder, so the cylinder cannot move from side to side or fall down.

The knob on the control panel is turned all the way to the "OFF" position (figure 11) when the fire pit is not in use.

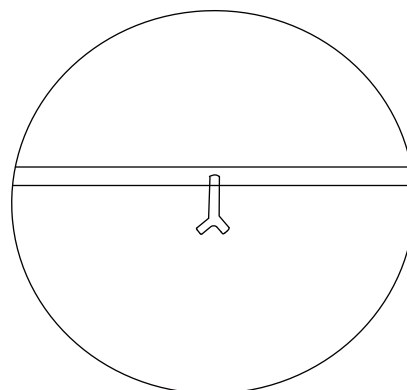
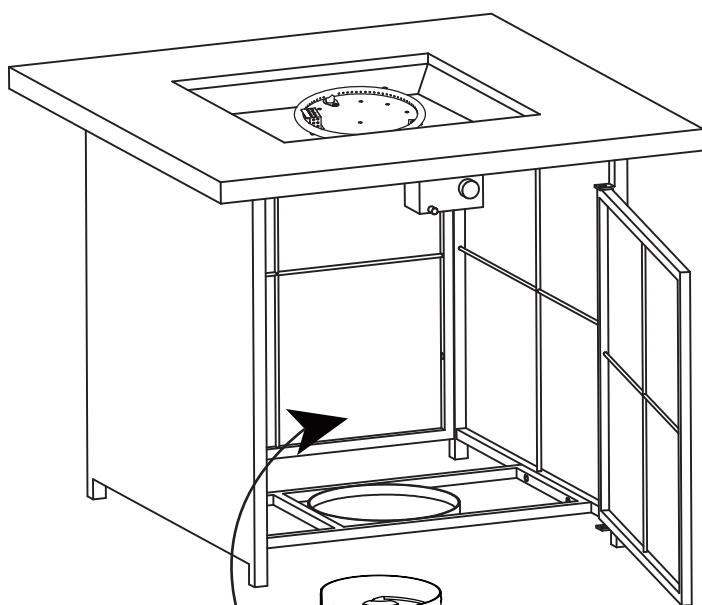


Figure 10

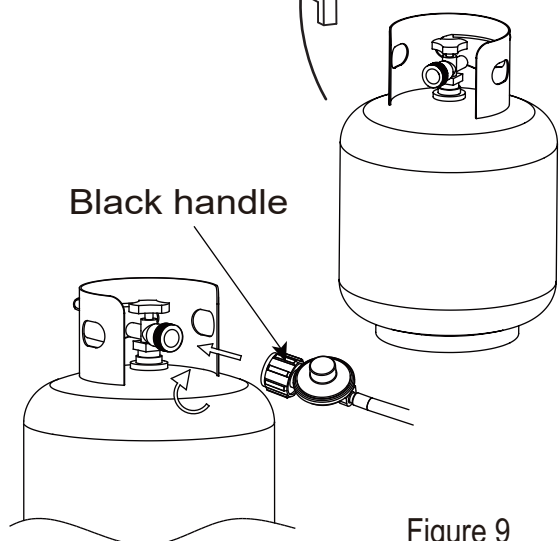


Figure 9

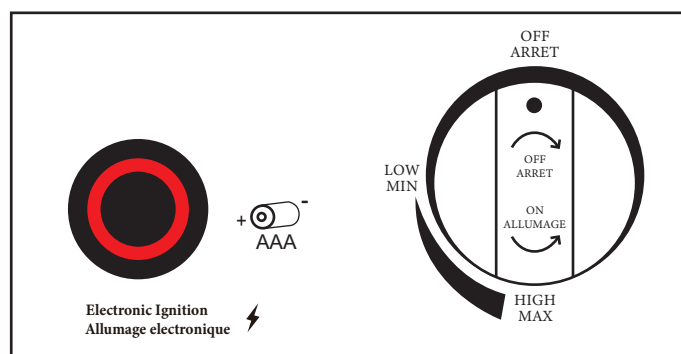


Figure 11

BATTERY

Make sure the control knob is in the “OFF” position. Unscrew the push button cap on the ignitor module located on the control panel to access the battery compartment. The ignitor module requires one +AAA size battery. BATTERY IS NOT INCLUDED. (See Figure 12).

WARNING:

1. Please observe proper polarity and use the correct battery type when placing or replacing the battery. Improper installation could result in ignition failure.
2. Please remove the battery if consumed or if product is to be left unused for a long period of time.

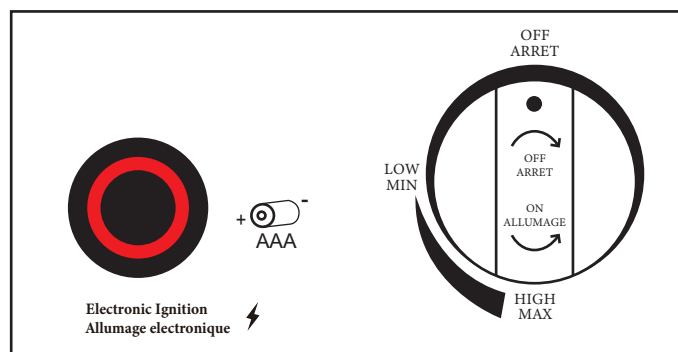
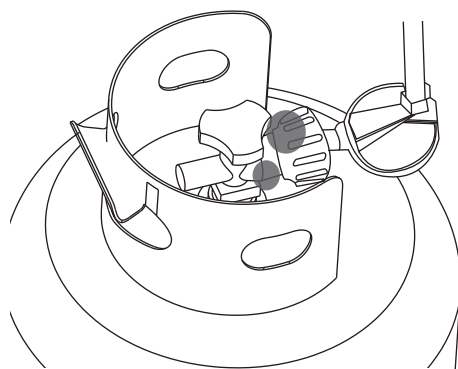


Figure 12

LEAK TEST

To prevent fire or explosion hazard when testing for a leak:

1. Always perform the leak test as described below before lighting this appliance or each time the cylinder is connected for use.
2. Do not smoke or allow other sources of ignition in the area while conducting a leak test.
3. Conduct the leak test outdoors in a well-ventilated area.
4. Do not use matches, lighters or a flame to check for leaks.
5. Do not use this appliance until any and all leaks are corrected. If you are unable to stop a leak, disconnect the propane supply. Call a gas appliance service shop or your local propane gas supplier.



cylinder-regulator connection (Figure 13)

To perform a leak test:

1. Make 2~3 oz. of leak solution by mixing one part liquid dishwashing detergent and three parts water.
Noted: make sure control knob is "OFF".
2. Apply several drops of solution where the cylinder attaches to regulator (See Figure 13), inspect the solution at the connection looking for bubbles. If NO bubbles appear, the connection is secure. If bubbles appear, the connection has the leak, disconnect the regulator, reconnect, perform another leak check. If you continue to see bubbles after several attempts, cylinder valve is defective and should be returned to cylinder's supplier.

LIGHTING INSTRUCTIONS

1. Push in gas control knob slightly and turn to "OFF".
2. Turn gas control knob the "ON/HI".
3. Push in gas control knob all the way and hold. Continue to press the ignition button for 15 seconds.
4. If the burner does not light in 15 seconds, release the knob and it will pop back out. Wait 5 minutes before attempting to light the burner again, repeat step 1 to 3.

TO TURN OFF GAS

1. Push in gas control knob slightly and turn to "OFF".

WARNING: For your safety, read and follow the Lighting Instructions in this manual and in the Rating Plate on the appliance. **IMPROPER LIGHTING PROCEDURES COULD RESULT IN A FIRE HAZARD OR EXPLOSION HAZARD OR PROPERTY DAMAGE, INJURY OR LOSS OF LIFE.**

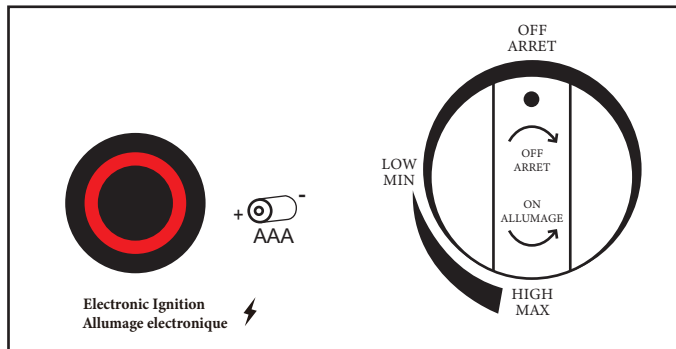
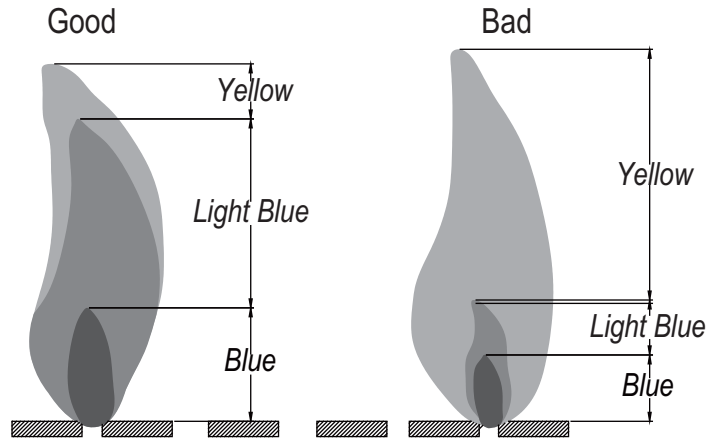


Figure 14

LIGHTING INSTRUCTIONS:

1. Read instructions before lighting;
2. Push and turn the knob to LOW;
3. Hold ignitor to light the burner, release control knob after 15 seconds; if burner does not light, wait 5 minutes, repeat;
4. Adjust flame to desired flame with the control knob.

Observe Flame Height When Lit: The burner will display blue and yellow flames. These flames should be a blue / yellow color between 1~2 in. height (See below). These flames should not be yellow or produce thick smoke. This would indicate an obstruction of airflow through the burners. The flames should be blue with straight yellow tops.



CARE AND MAINTENANCE

To enjoy the outstanding performance from your fire pit, make sure you perform the following activities on a regular basis:

1. Use warm soapy water for cleaning. Never use flammable or corrosive cleaning agents.
2. While cleaning the fire pit, make sure to keep the area around the burner dry at all times. **DO NOT** submerge the control valve assembly. If the gas control is submerged in water, **DO NOT** use it. It must be replaced.
3. Air flow must be unobstructed. Keep controls, burner, and circulating air passageways clean. Signs of possible blockage include:
 - (1). Gas odor with extreme yellow tipping of flame.
 - (2). Fire pit does **NOT** reach the desired temperature.
 - (3). Fire pit flame is excessively uneven.
 - (4). Fire pit makes popping noises.
 - (5). Spiders and insects can nest in burner or orifice. This dangerous condition can damage fire pit and render it unsafe for use. Clean burner holes by using a heavy-duty pipe clearer. Compressed air may help clear away small particles.
4. Carbon deposits may create a fire hazard. Clean burner with warm soapy water if any carbon deposits develop.
5. Cover your fire pit with an outdoor weather cover when not in use to protect it from the elements.

NOTE: Always allow fire pit to cool **COMPLETELY** before you cover the fire pit with an outdoor weather cover or you attempt the service or maintenance.