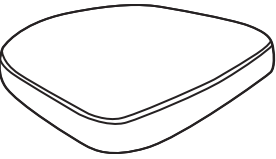
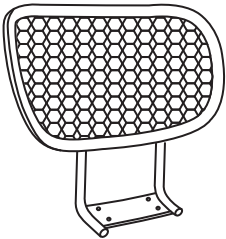
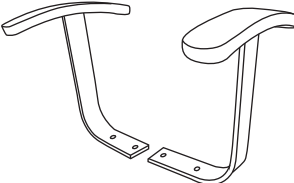
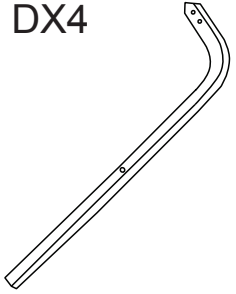
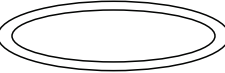
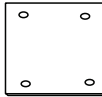
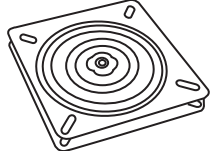
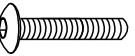
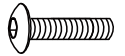
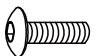
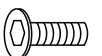



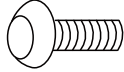
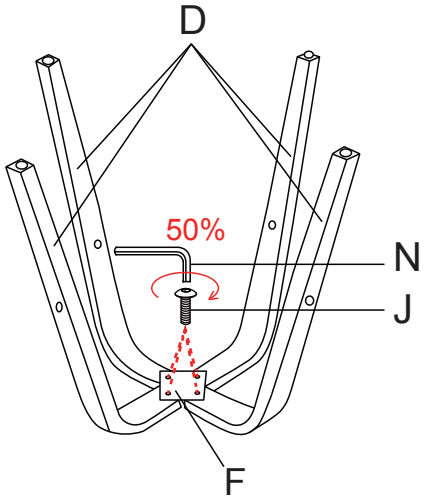


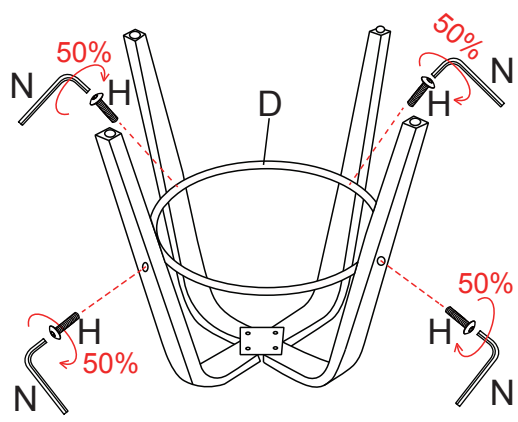
<p>AX1</p> 	<p>BX1</p> 	<p>CX2</p> 	<p>DX4</p> 	<p>EX1</p> 	<p>FX1</p> 	<p>GX1</p> 	
<p>HX4+1Ext</p>  <p>M6X30mm</p>	<p>IX6+1Ext</p>  <p>M6X25mm</p>	<p>JX10+1Ext</p>  <p>M6X20mm</p>	<p>KX4+1Ext</p>  <p>M6X20mm</p>	<p>LX2</p>  <p>PLASTIC WASHER</p>	<p>MX4+1Ext</p>  <p>PLASTIC CAP</p>	<p>NX1</p>  <p>M6</p>	<p>OX1</p>  <p>SPARE FOOTNAIL</p>

1



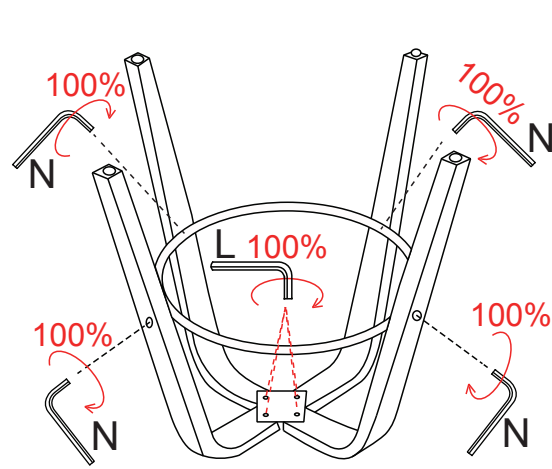
Note: Do NOT tighten the screws(J) in step 1

2



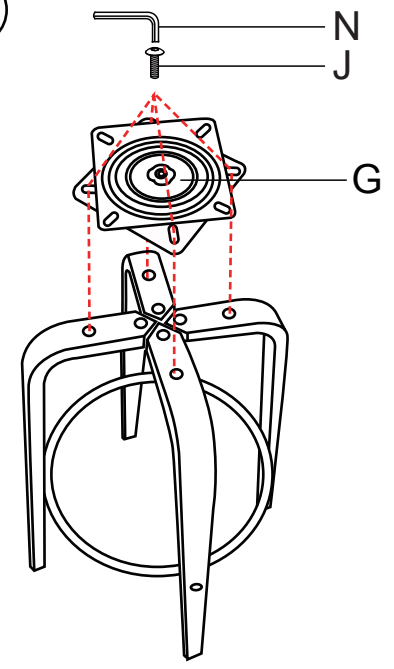
Note: Do NOT tighten the screws(H) in step 2

3

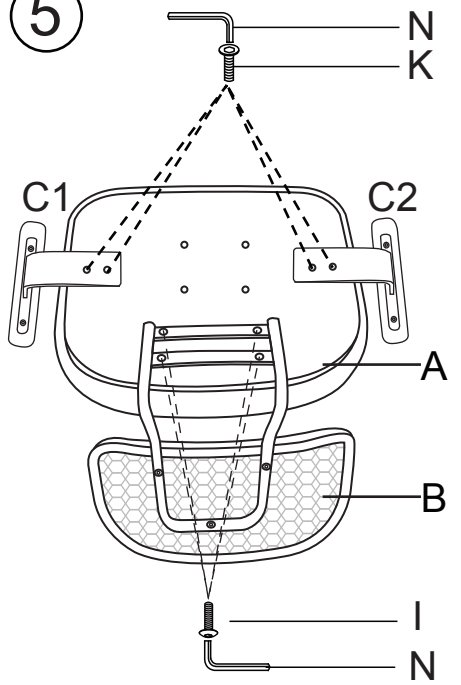


Note: Tighten the screws(J) and screws(H) in step 3

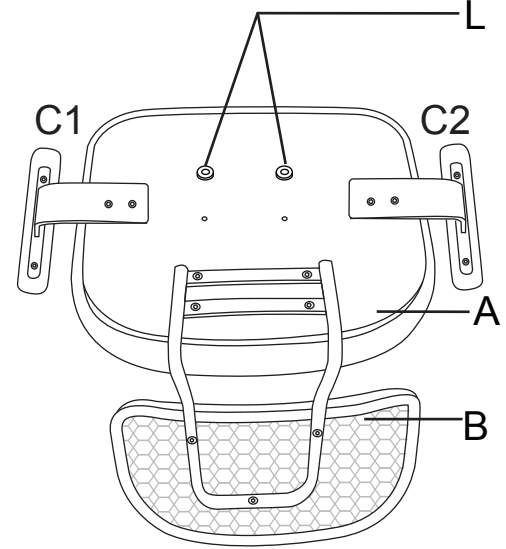
4



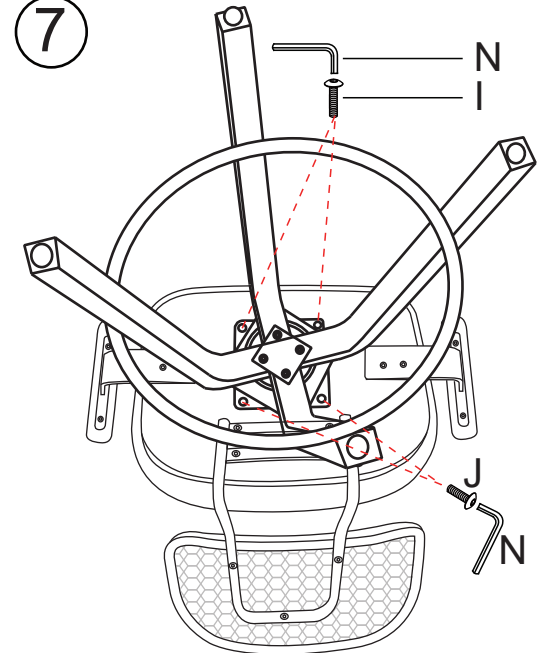
5



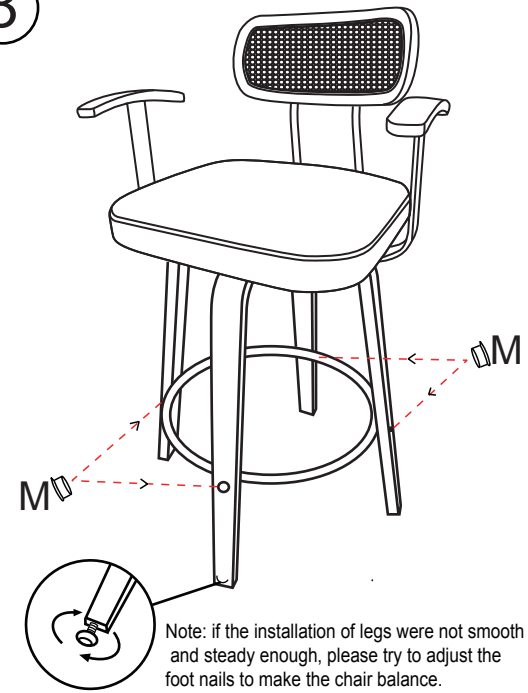
6



7



8



Note: if the installation of legs were not smooth and steady enough, please try to adjust the foot nails to make the chair balance.