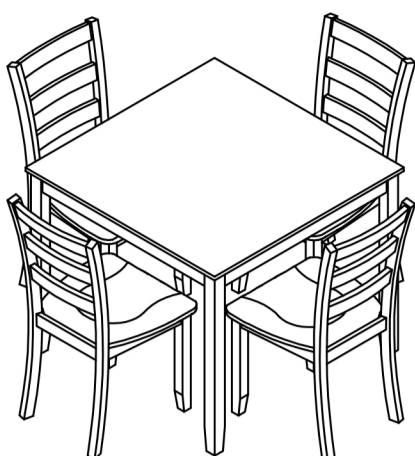


ASSEMBLY INSTRUCTION



Thank you for purchasing this product. Please take time to read and follow instructions below. Check that you have all parts and hardware before assembly. Parts apparently missing are often found in packing materials. If you do not have all parts listed, have your dealer contact us and they will be sent to you immediately.

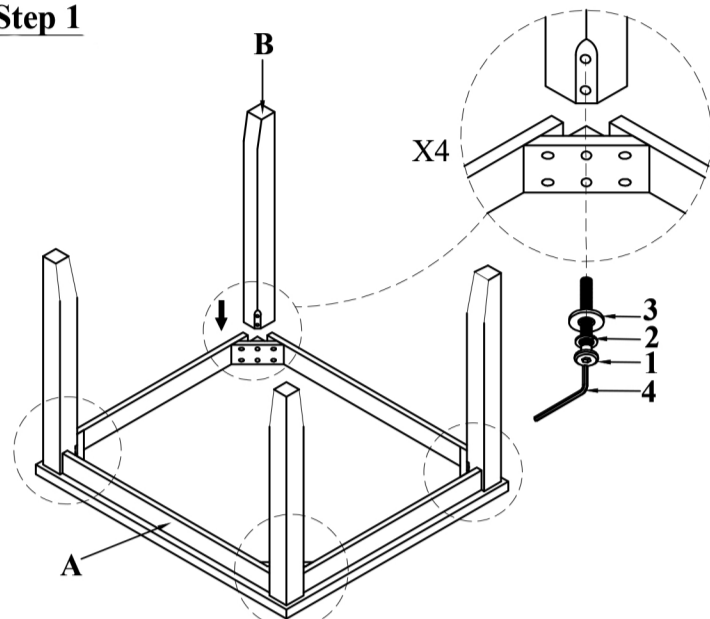
! It is recommended to install protective pads under all legs and supports to avoid damage or scratches when placing furniture on a wood floor or other hard surface, and to limit indentation and prevent discoloration if placing on carpet.

! Hardware may loosen over time. Periodically check to make sure all connections are tight. Re-tighten if necessary.

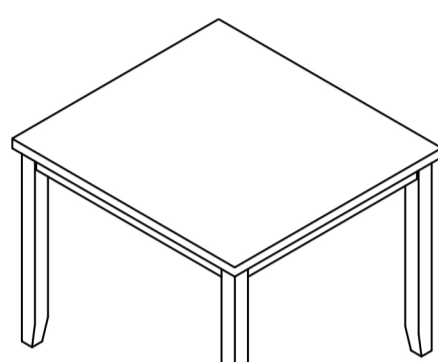
PARTS LIST			
NO.	SKETCH	DESCRIPTION	Q'TY
A		TABLE TOP	1PC
B		LEGS	4PCS

HARDWARE LIST				
NO.	DESCRIPTION	SIZE	SKETCH	Q'TY
1	BOLT	Ø5/16" x 2-3/8"		8PCS
2	LOCK WASHER	Ø5/16" x 1/2"		8PCS
3	FLAT WASHER	Ø5/16" x 3/4"		8PCS
4	ALLEN KEY	1/6" x 2-1/4"		1PC

Step 1



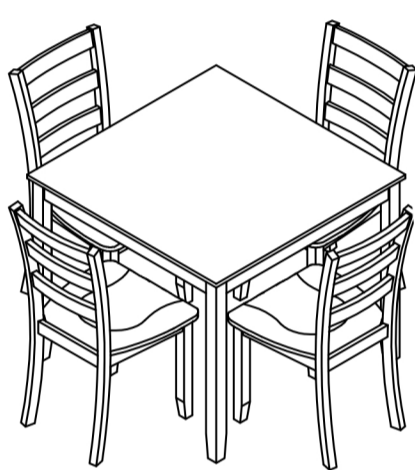
Step 2



ASSEMBLY COMPLETED

Page 1 of 3

ASSEMBLY INSTRUCTION



Thank you for purchasing this product. Please take time to read and follow instructions below. Check that you have all parts and hardware before assembly. Parts apparently missing are often found in packing materials. If you do not have all parts listed, have your dealer contact us and they will be sent to you immediately.

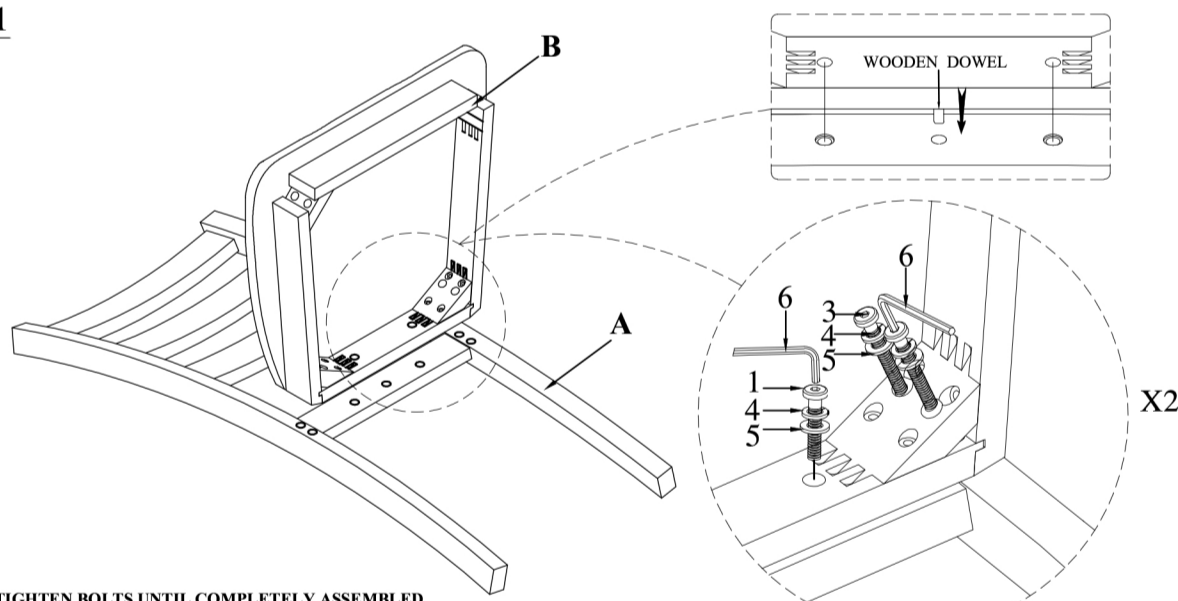
! It is recommended to install protective pads under all legs and supports to avoid damage or scratches when placing furniture on a wood floor or other hard surface, and to limit indentation and prevent discoloration if placing on carpet.

! Hardware may loosen over time. Periodically check to make sure all connections are tight. Re-tighten if necessary.

PARTS LIST			
NO.	SKETCH	DESCRIPTION	Q'TY/ Q'TÉ
A		CHAIR BACK	1PC
B		WOODEN SEAT	1PC
C		LEGS	2PCS

HARDWARE LIST				
NO.	DESCRIPTION	SIZE	SKETCH	Q'TY
1	BOLT	Ø1/4" x 1-1/2"		2PCS
2	BOLT	Ø1/4" x 2-3/8"		4PCS
3	BOLT	Ø1/4" x 3"		4PCS
4	LOCK WASHER	Ø1/4" x 1/2"		10PCS
5	FLAT WASHER	Ø1/4" x 3/4"		10PCS
6	ALLEN KEY	1/6" x 2-1/4"		1PC

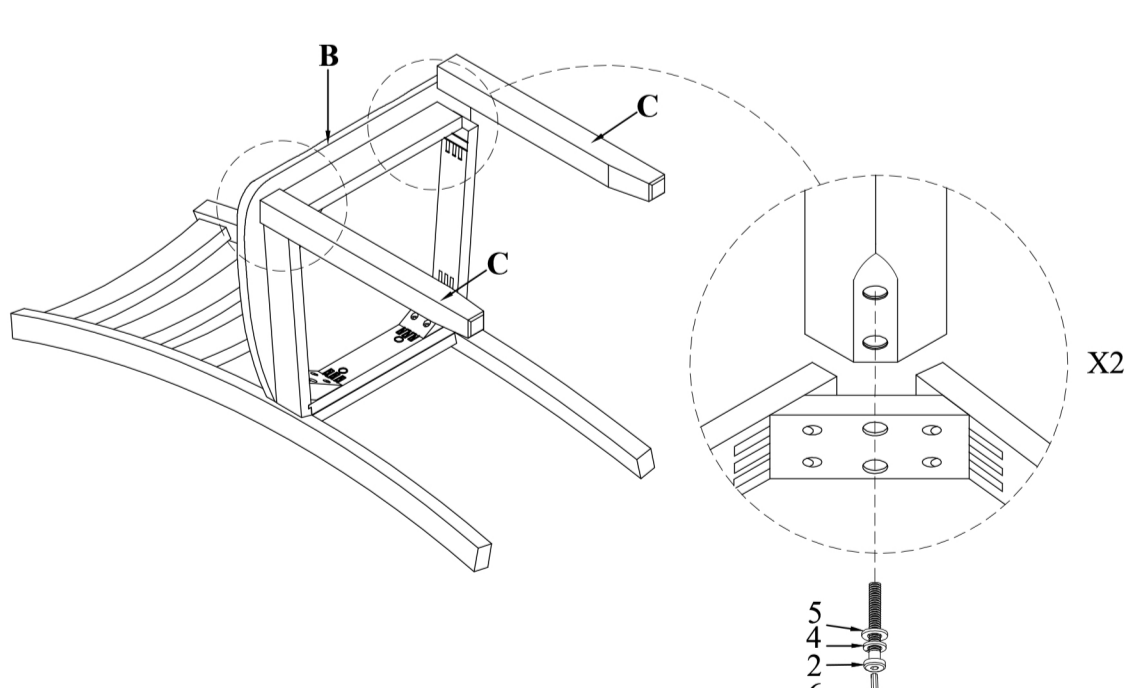
Step 1



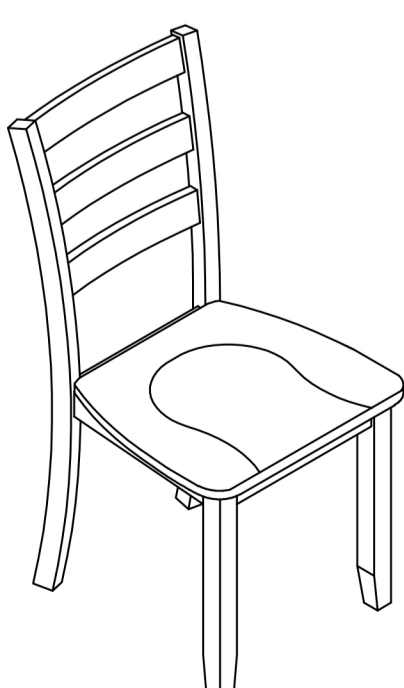
Page 2 of 3

ASSEMBLY INSTRUCTION

Step 2



Step 3



ASSEMBLY COMPLETED

DO NOT TIGHTEN BOLTS UNTIL COMPLETELY ASSEMBLED.

Page 3 of 3