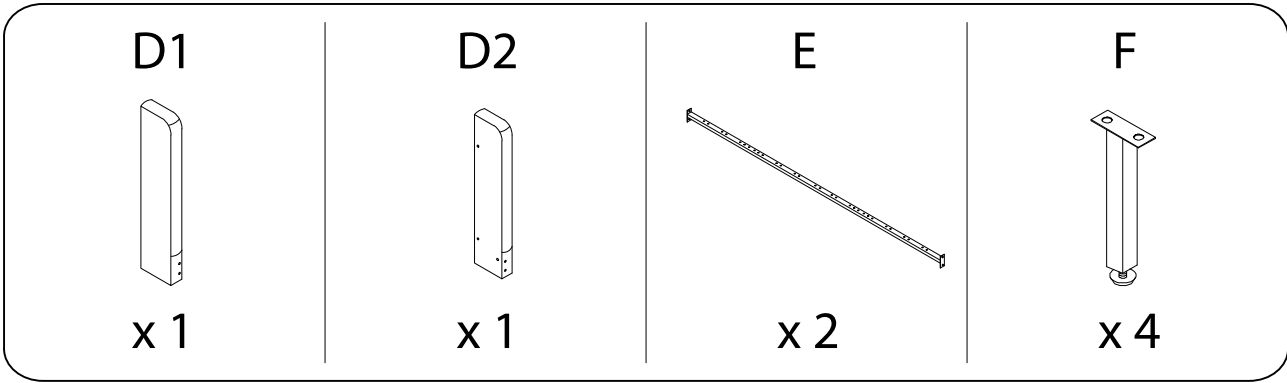
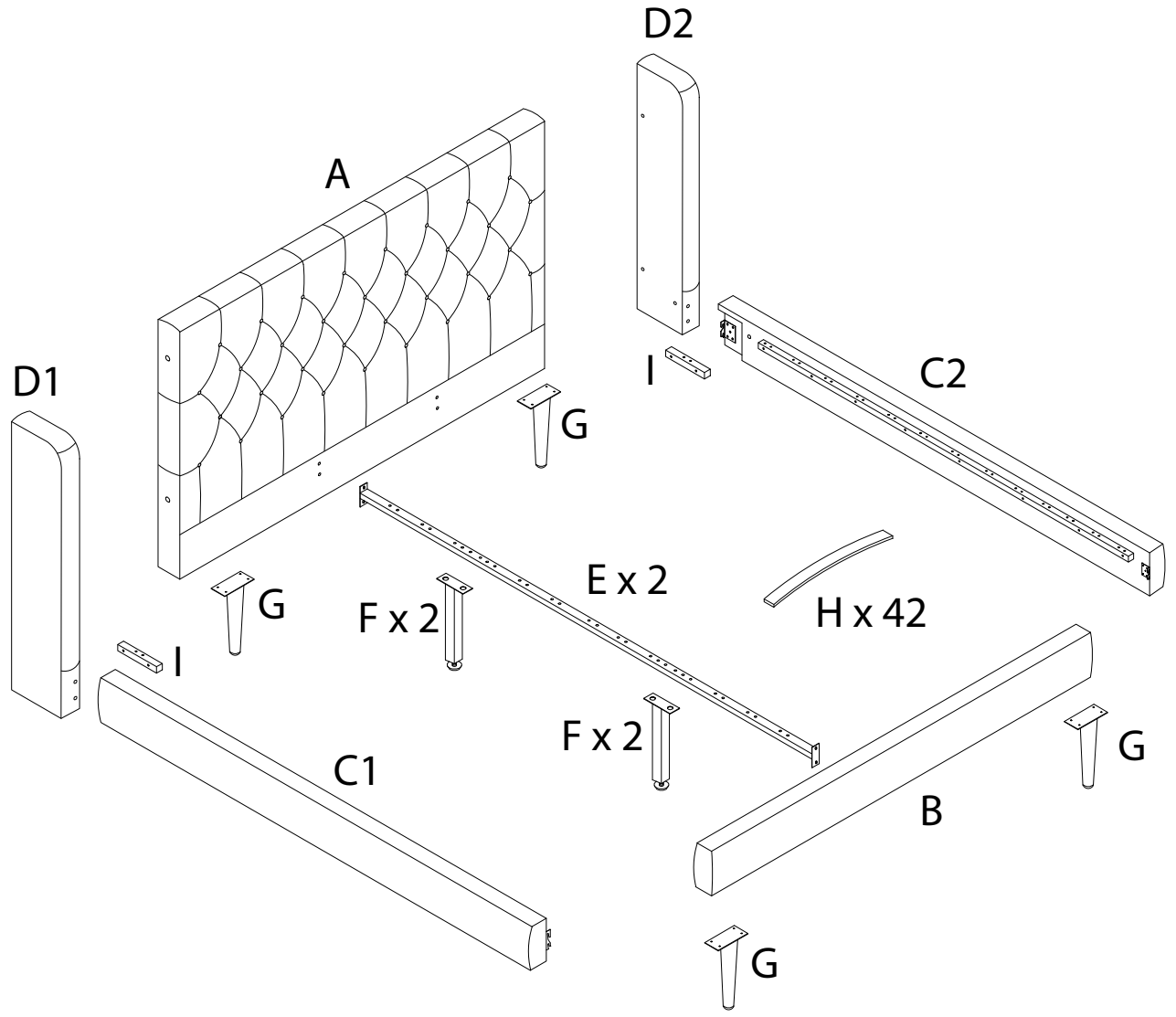
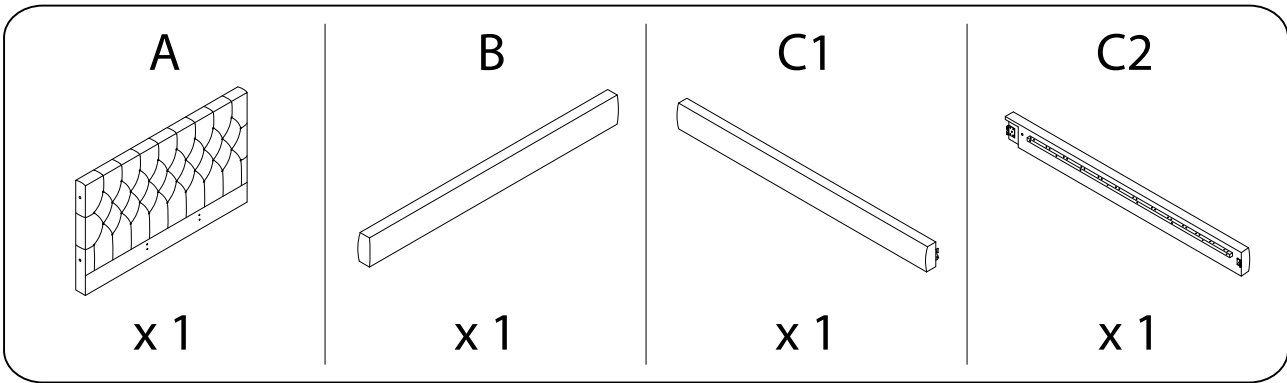
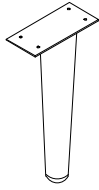


Assembly instructions for step 1/7:

- Tools:** A circle containing a screwdriver, a wrench, and an Allen key. A power drill is shown with a diagonal line through it, indicating it should not be used.
- Warning:** A triangle with an exclamation mark.
- Time:** A clock icon with the text "45'" below it, indicating the estimated assembly time.
- Personnel:** A stick figure icon with the number "2" below it, indicating that two people are required for assembly.

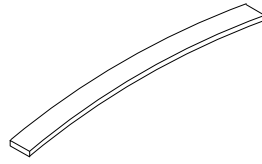


G



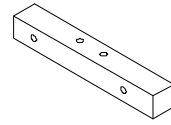
x 4

H



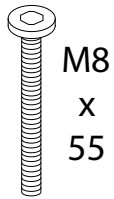
x 42

I



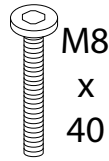
x 2

J1



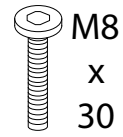
x 8

J2



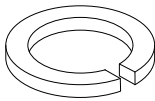
x 16

J3



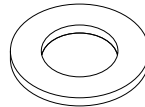
x 8

K



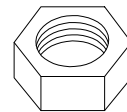
x 32

L



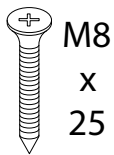
x 32

M



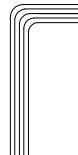
x 8

N



x 16

O



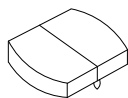
x 1

P



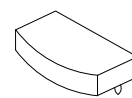
x 1

Q



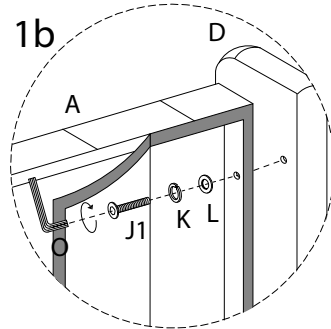
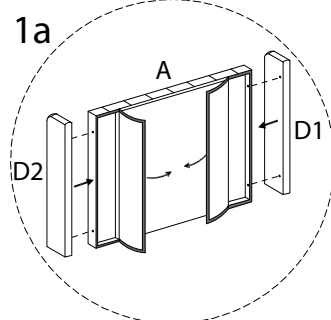
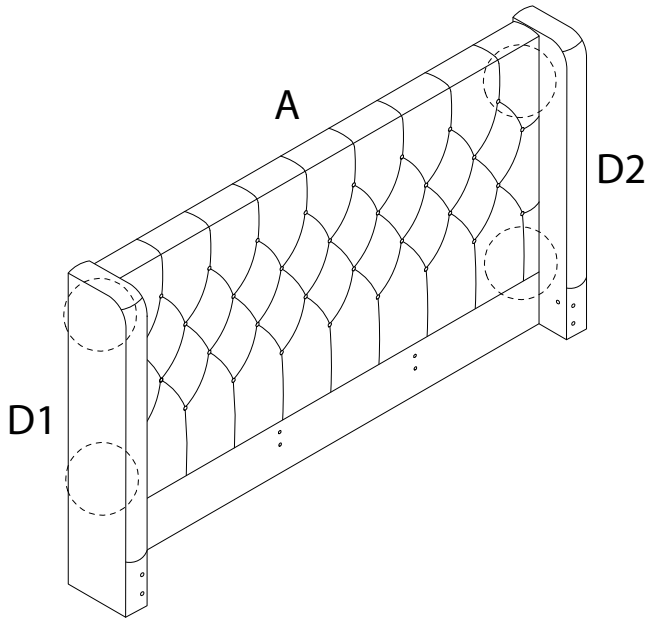
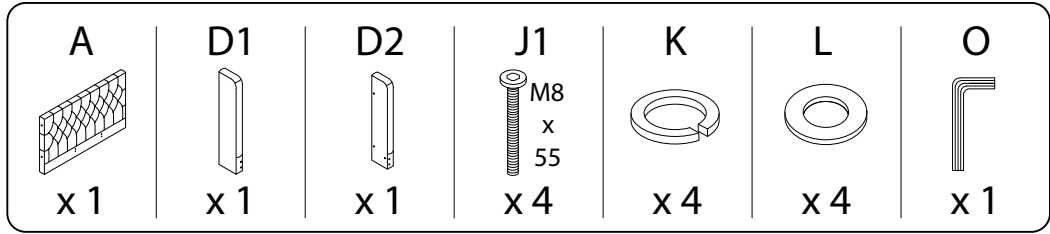
x 28

R

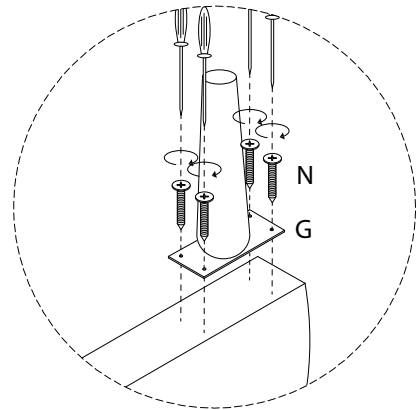
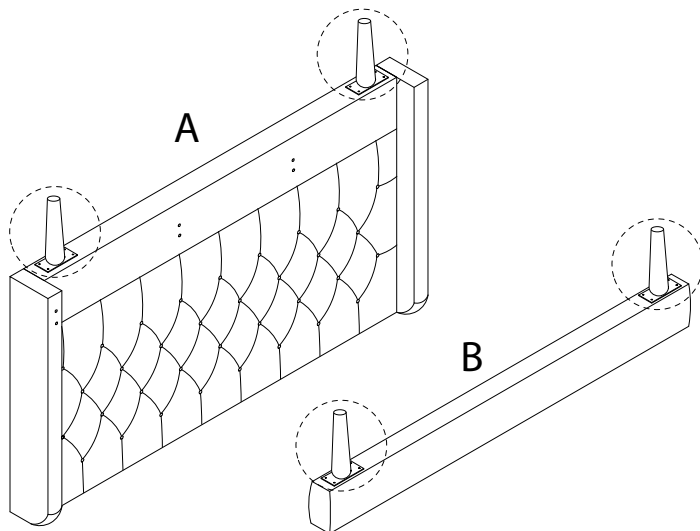
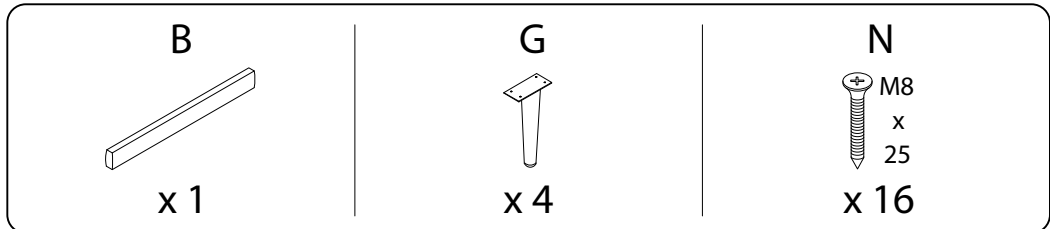


x 28

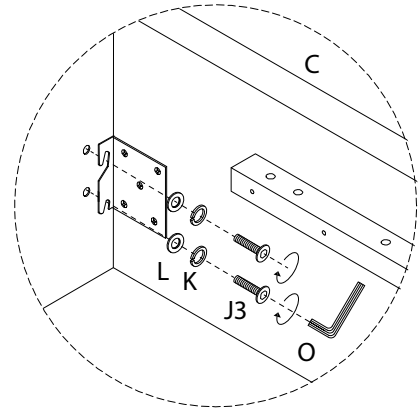
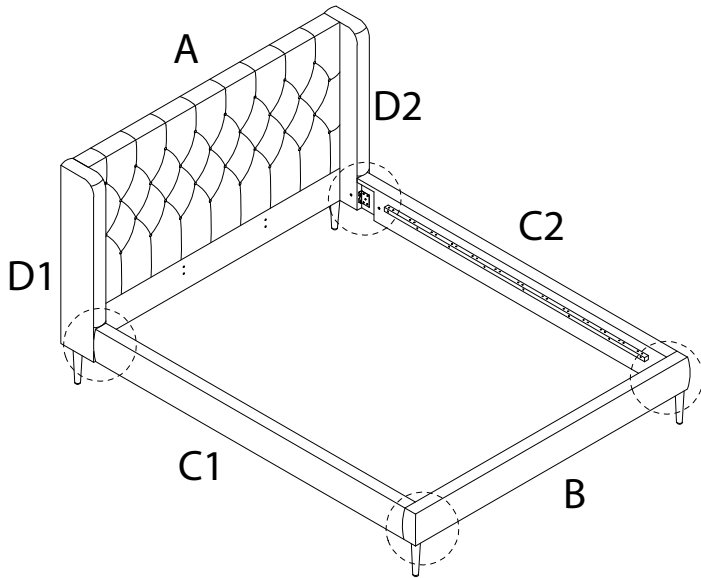
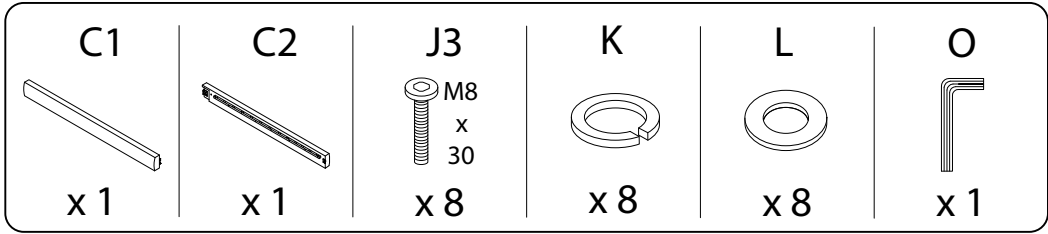
1



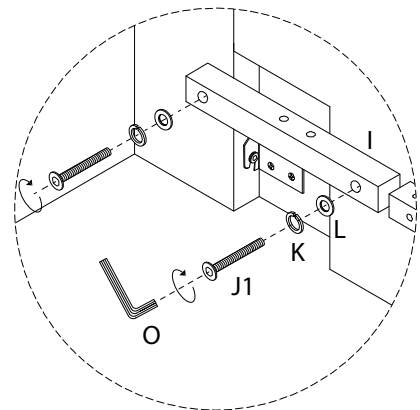
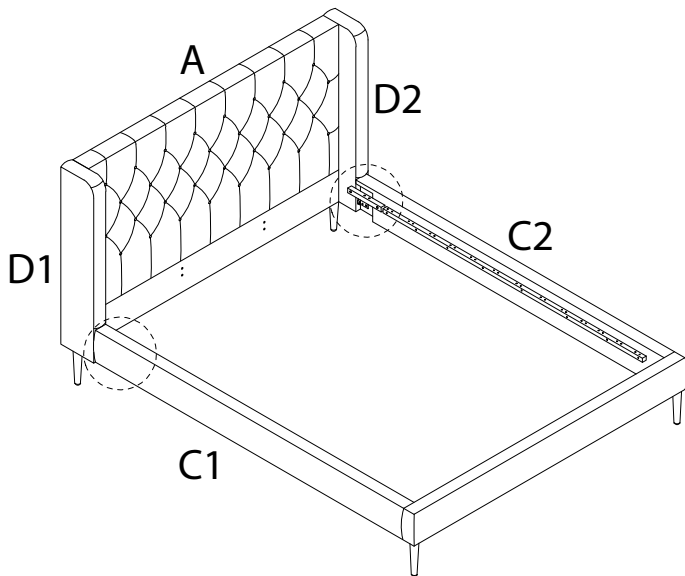
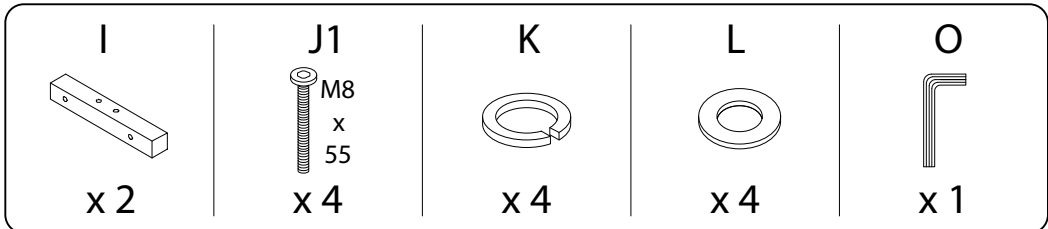
2




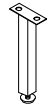
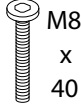
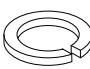
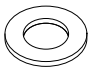
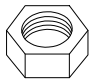
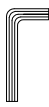

3

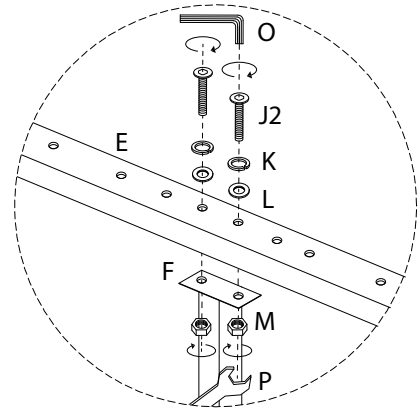
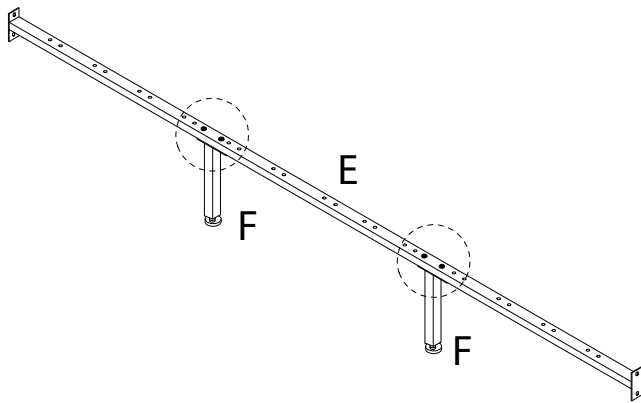


4

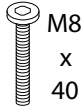

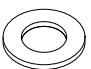
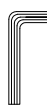


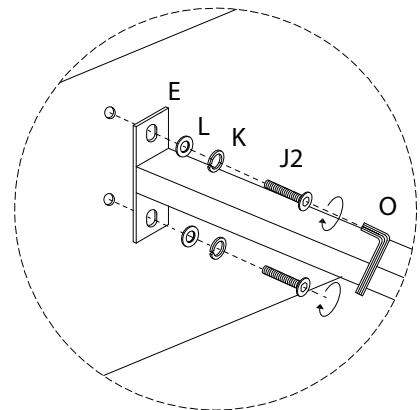
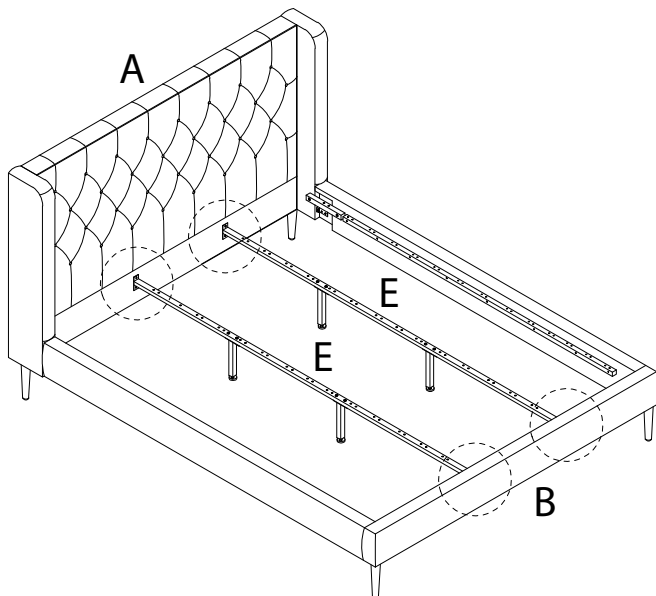
5 x 2

E  x 1	F  x 2	J2 M8 x 40  x 4	K  x 4	L  x 4	M  x 4	O  x 1	P  x 1
--	--	--	--	---	--	--	--

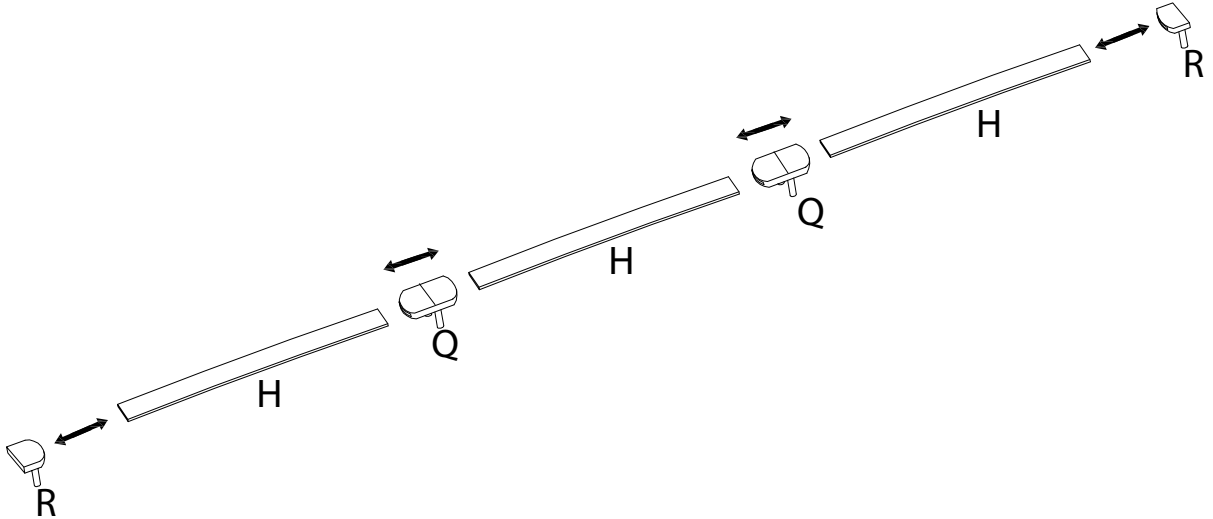
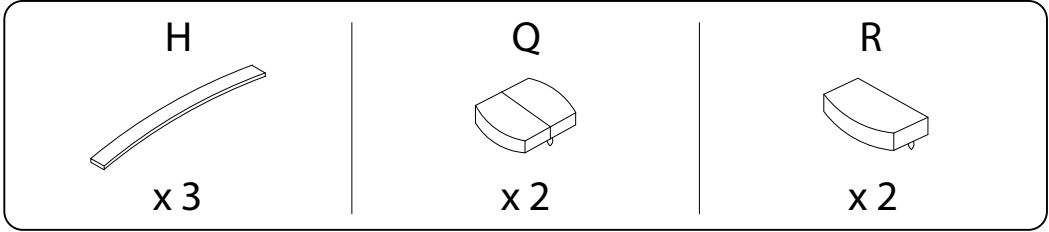


6

J2 M8 x 40  x 8	K  x 8	L  x 8	O  x 1
--	--	---	--



7 x 14



8

