



ASSEMBLY INSTRUCTIONS

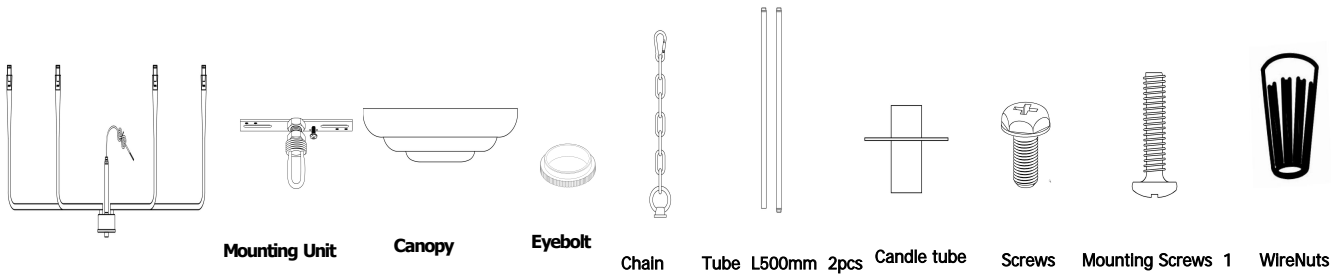
CAUTION  Inspect the wire installation for any cuts, abrasions, or exposed copper wire that may have damaged during shipping. If there are any defects on the wire, do not

 Before starting installation of this fixture, please remove the previous fixture, disconnect the

TOOLS REQUIRED

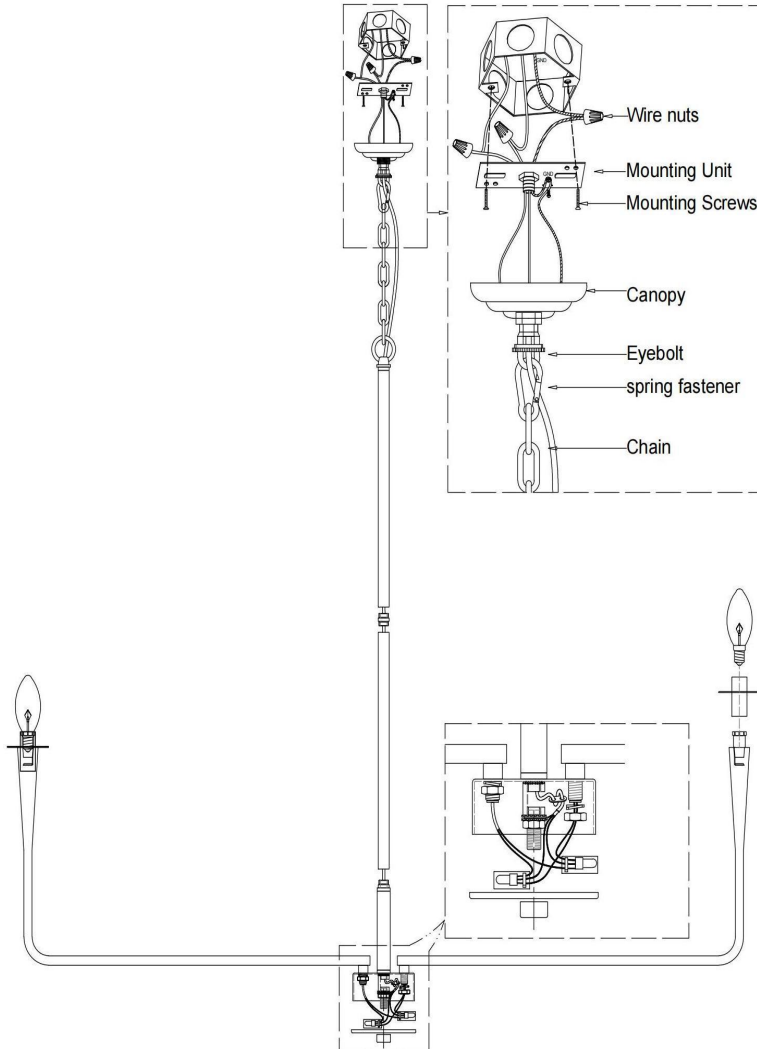


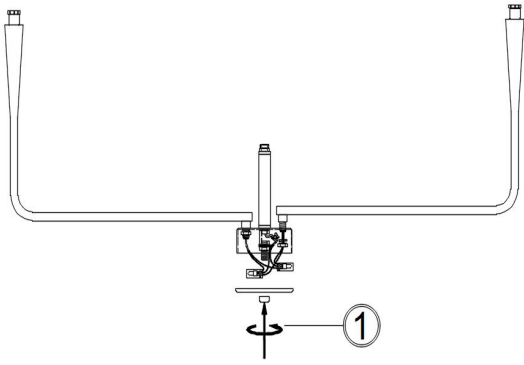
HARDWARE INCLUDED



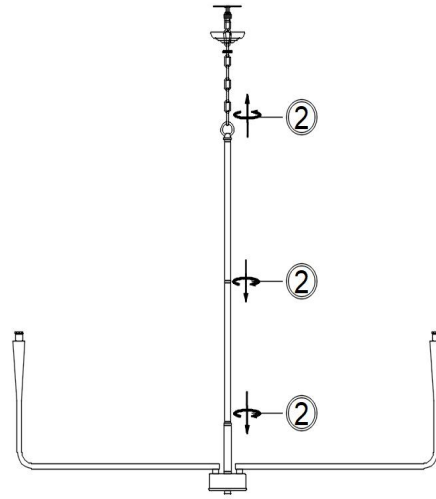
***PARTS SHOWN MAY DIFFER SLIGHTLY PER LIGHT FIXTURE**

EXPLODED PARTS

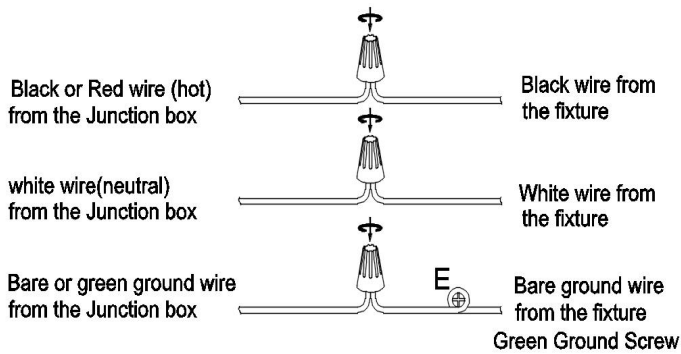




STEP 1. Adjust the distance between the lamp arms to be even, connect the internal line of the lamp body, do a good job of insulation, and lock the nut of the lamp arm in the lamp gu, and lock the lamp cover

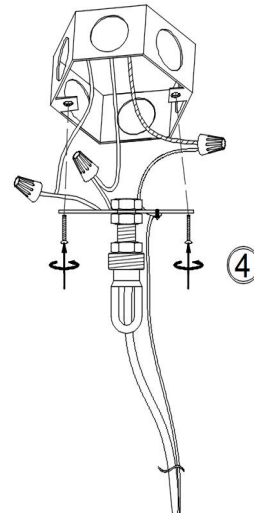


STEP 2. After the main line of the lamp body passes through the tube, the tube is twisted on the lamp body, and the lamp body part is fully assembled.

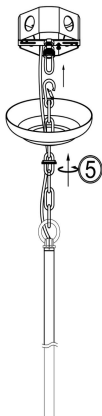


Sealing
tape

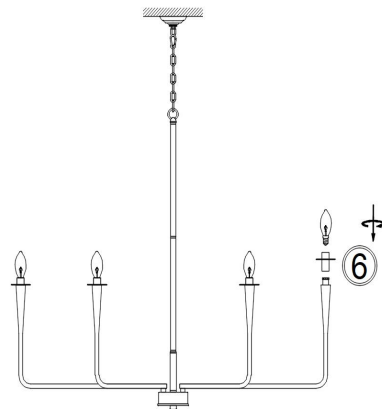
STEP 3: Make the electrical connection from the junction box to the fixture
Connect the ground wire to the mounting unit using the preinstalled green ground screws
Then, connect the positive, negative and ground wires with the supplied wire nuts,



STEP 4 Fix the hanging plate on the ceiling embedded part with screw 1, and ensure that the installation is firm



STEP 5 The hanging chain hook is installed tightly on the lifting ring, and the ceiling plate is fixed firmly on the ceiling with the fixing ring.



STEP 6 Install the candle head tube and bulb. Turn on the power and you're ready to use