

Jasmine 3

MODEL #: 134

52" x 52" x 35.5"



Features integral seat

GENERAL SPECIFICATIONS

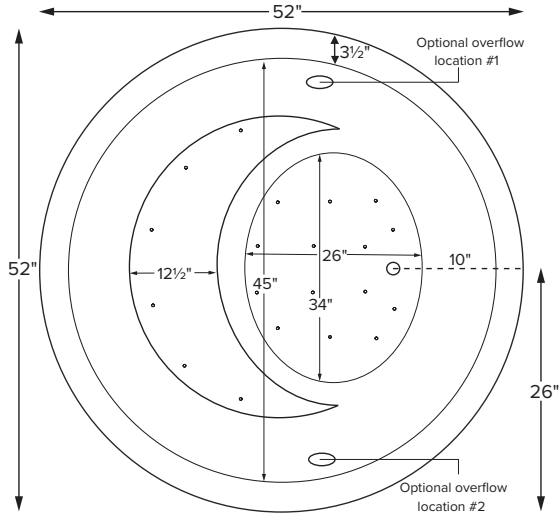
**Material** - Acrylic

**Installation** - Freestanding

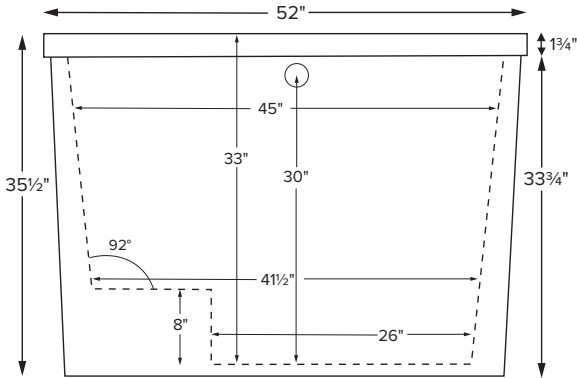
**Soaker Weight** - 135 lbs / 61 kg

**Maximum Fill** - 160 gal to overflow

*NOTE: Filling this tub to the maximum may require an above average size or dedicated water heater.*



Shown with Air Massage Package.



**IMPORTANT**

Consider and select location of overflow when ordering and planning installation. See drawing and "Important Ordering & Installation Information".



Access panel  
7 1/8" x 9 1/8"

ELECTRICAL COMPONENTS & SPECIFICATIONS		
Required Electrical Service - 110 Volt		
Hydrotherapy Package	Components Included	GFCI
Air Massage	heated blower	1-15 amp
Air Massage Elite	heated blower, chromatherapy	1-15 amp

Electrical requirements may change with the addition of optional therapy components.  
See specific option details or installation information.  
CSA Certified C/US; ANSI Z124.1 and ANSI 112.19.7

See the Installation & Operation Manual for more details.  
MTI's Customer Service: Monday-Friday 8am-6pm EST  
**800-783-8827** or [service@mtibaths.com](mailto:service@mtibaths.com)

- Before discarding tub crate, check for accessories that may be packaged inside.
- All product measurements are ±1/2".
- Specifications and configurations are subject to change without notice.
- Measurements herein supersede all others published prior to publication date below.

**IMPORTANT ORDERING & INSTALLATION INFORMATION:**

- Before ordering or installing, please consider future access to equipment.
- Includes cable-driven drain kit with factory installed overflow.
- Must indicate overflow location #1 or #2 on order; see line drawing above.
- This freestanding tub comes equipped with a visible access panel behind the overflow. Please plan for this when positioning the tub for final installation.
- Air baths require job site preparations for remote mounting the blower and required check valve. Check valve must be installed higher than the rim of the tub.
- Hydrotherapy equipment may ship loose for remote installation depending on tub model. See package content on the following page for details.
- Radiance placed on floor locations will affect placement of air jets.
- Faucet valves cannot be installed on this tub model.
- Textured bottom is compliant with ASTM C 1028-07 friction coefficient.

