

PENDANT LIGHT (ROD)

Assembly Instructions



CAUTION

- Inspect the wire insulation for any cuts, abrasions, or exposed copper that may have resulted during shipping. If there is a defect in the wire, do not attempt installation.
- Before starting installation of this fixture or removal of a previous fixture, disconnect the power by turning off the circuit breaker or by removing the fuse at the fuse box.

TOOLS REQUIRED



Ladder



Safety glasses



Electrical tape



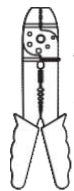
Phillips screwdriver



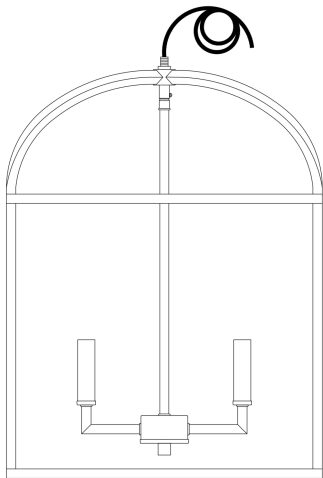
Flat blade screwdriver



Pliers



Wire strippers



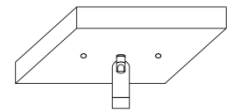
Fixture



Long Rods



Short Rods



Canopy



Mounting Unit



Mounting Screws



Wire Nuts



Cap Nut

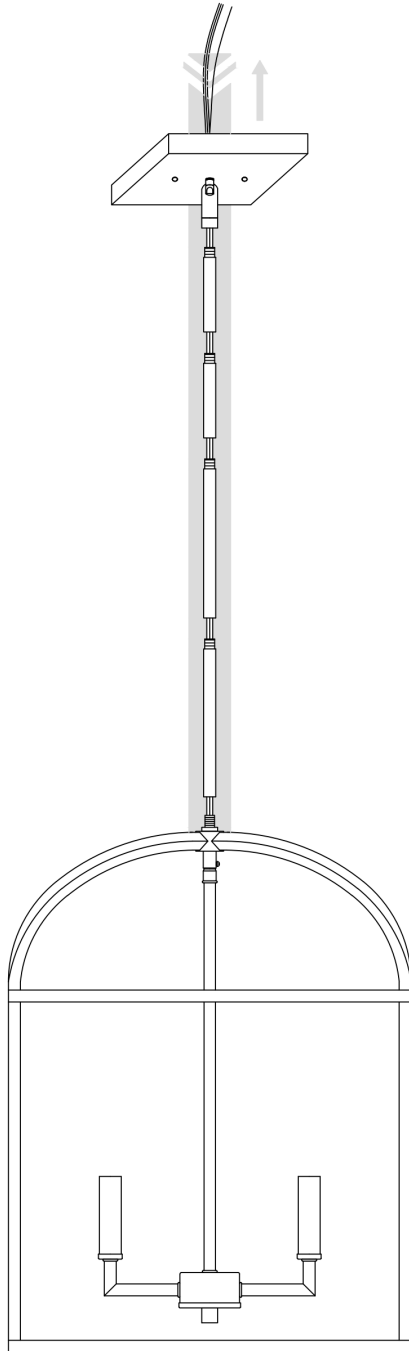
*PARTS SHOWN MAY DIFFER SLIGHTLY PER LIGHT FIXTURE

PENDANT LIGHT (ROD)

Assembly Instructions

STEP 1

Screw the **rods** to the **fixture** and **Canopy**. Make sure to feed the branch wires of the **fixture** through the **rods** during assembly. Remove or add **rods** to adjust the height.



STEP 2

Use the **mounting screws** to attach the **mounting unit** to the junction box.



STEP 3

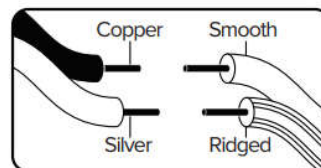
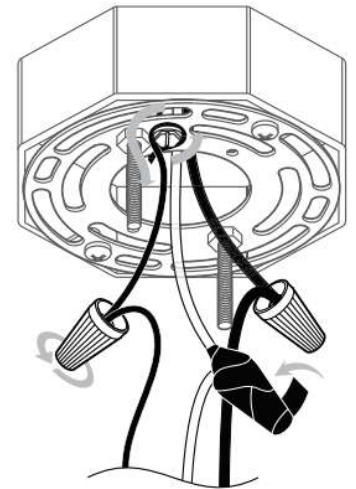
Make the electrical connection from the junction box to the **fixture**. Connect the ground wire to the **mounting unit** using the preinstalled green ground screw. Then, connect the positive, negative and ground wires with the supplied **wire nuts**. Secure with electrical tape.

Connect Clear, Brown, Gold or Black Parallel Wire without tracer (round & smooth) or Black Fixture Wire to:

Black or Red Supply Wire or Insulated Wire (other than green) with copper conductor.

Connect Clear, Brown, Gold or Black *Parallel Wire with tracer (square & ridged) or White Fixture Wire to:

White Supply Wire or Insulated Wire (other than green) with silver conductor

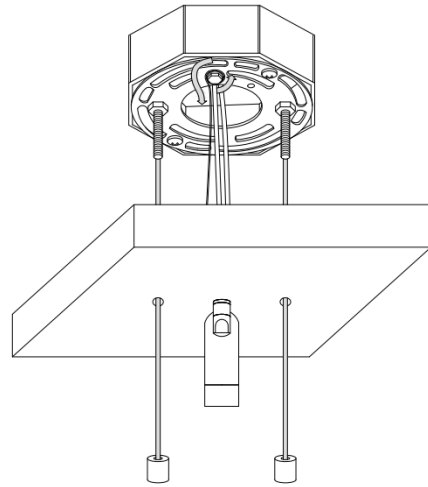


PENDANT LIGHT (ROD)

Assembly Instructions

STEP 4

Place the **canopy** over the **mounting unit** and secure the **fixture** with the **cap nuts**.



STEP 5

Install bulbs type E12 60W (not included).

