

PRODUCT FEATURES

- Transitional design style yet modern
- Simple slender ring that adds a minimalist chic feel to any space
- Ideal for dining room lighting, foyer lighting and commercial
- Ships with an energy efficient integrated LED lamp
- Fully dimmable integrated LEDs illuminate up and down to create the desired ambiance
- Protected by a 5-year warranty. Please visit the "About Us" Page on techlighting.com for more for warranty details



LAMPING

Includes 110 watt, 8229 delivered lumens, 3000K LED module.
 Dimmable with most LED compatible ELV, TRIAC and 0-10V dimmers.
 Fixture provided with eight feet of field-cutable black cable.

48" Matte Black



48" Matte Black

ORDERING INFORMATION

700FIA	LENGTH (A)	FINISH	LAMP
	48 48"	B MATTE BLACK	-LED930 INTEGRATED LED 90 CRI 3000K 120V-277V UNV

700FIA _____

JOB NAME _____

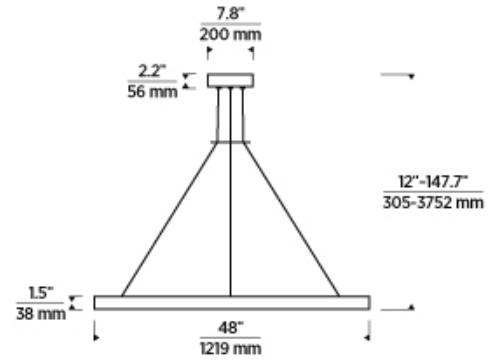
NOTES _____



FIAMA 48 SUSPENSION

SPECIFICATIONS

HARDWARE MATERIAL	Metal
SHADE MATERIAL	Aluminum
NET WEIGHT	13.5 lbs
HEIGHT	1.5in
WIDTH	48in
LENGTH	48in
UP LIGHT / DOWN LIGHT / BOTH?	
WET LISTED	
DAMP LISTED	Yes
DRY LISTED	
MIN. HANGING HEIGHT	12in
MAX HANGING HEIGHT	147in
TOTAL CORD LENGTH	144in
TOTAL STEM LENGTH	
STEM QTY	
SLOPED CEILING ADAPTABLE?	Yes 45° Max
GENERAL LISTING	ETL Listed
INCLUDES	



LAMPING SPECIFICATIONS

	LED LAMP	INTEGRATED LED	NON LED	NO LAMP
DELIVERED LUMENS		8229		
WATTS		110		
MAX WATTAGE PER BULB		110W		
INPUT VOLTAGE		120V		
DIMMING TYPE*		ELV, TRIAC		
CCT		3000K		
CRI		90 CRI		
LED LIFETIME				
L70		>50000		
AVERAGE BULB HOURS				
FIELD SERVICEABLE LED				
LAMP BASE		Integrated LED		
LAMP SHAPE		Integrated LED		
LAMP INCLUDED?		True		
WARRANTY**		5 Years		

* Dimming information available at www.techlighting.com/Downloads#dimming

** Visit techlighting.com for specific warranty limitations and details.

T20 / T24 / JA8 INFORMATION

	Integrated LED	Replacement LED Lamp	No Lamp *
This product can be used to comply with California Building Energy Efficiency Standards 2016 Title 24 Part 6 / JA8 .	Yes		
This product can be used to comply with California Appliance Efficiency Standards 2016 Title 20 and may be shipped to and sold in California.	N/A		

* If a light fixture or component does not include a lamp or light source, it is the responsibility of the customer to select a lamp that meets the T24 and T20 requirements.

