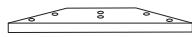
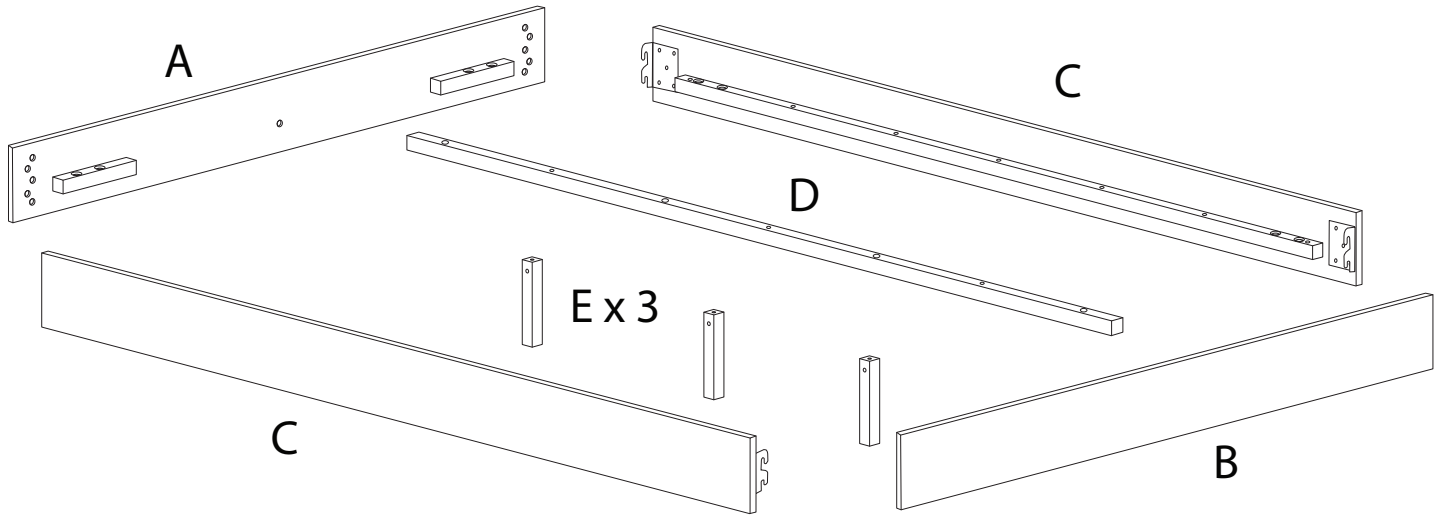
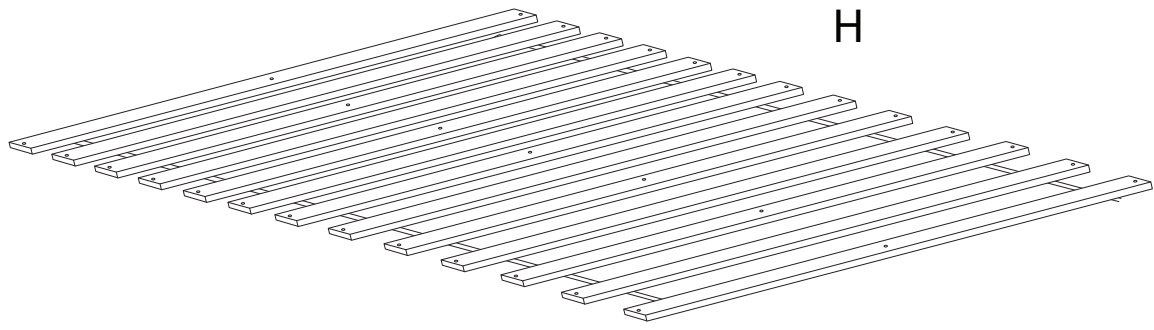
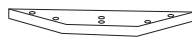


Assembly instructions for step 1/9:

- Tools:** A circle containing a screwdriver and an Allen key. A power drill is shown with a diagonal line through it, indicating it should not be used.
- Warning:** A triangle with an exclamation mark.
- Time:** A clock icon with the text "60'" below it, indicating a 60-minute assembly time.
- Personnel:** A stick figure icon with the number "2" below it, indicating that two people are required for assembly.



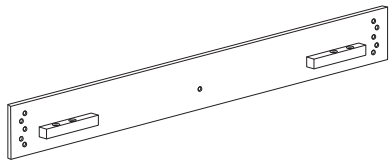
G x 4



F x 4

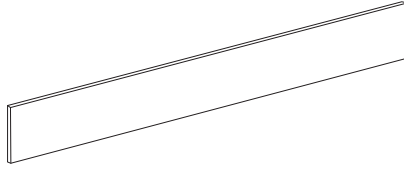


A



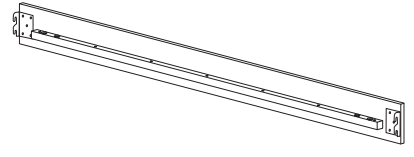
x 1

B



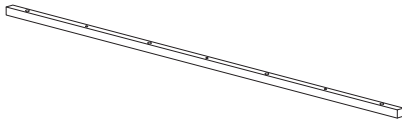
x 1

C



x 2

D



x 1

E



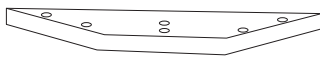
x 3

F



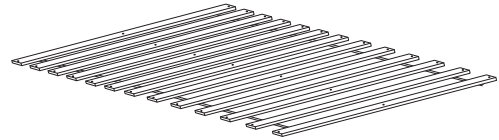
x 4

G



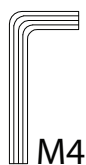
x 4

H



x 1

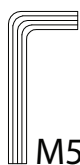
1



M4

x 1

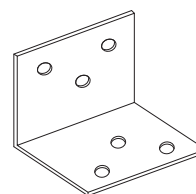
2



M5

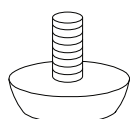
x 1

3



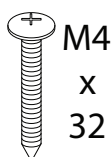
x 2

4



x 3

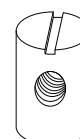
5



M4  
x  
32

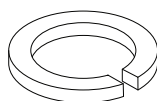
x 12

6



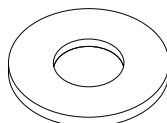
x 3

7



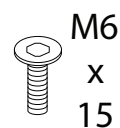
x 24

8



x 24

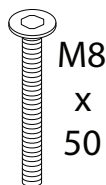
9



M6  
x  
15

x 4

10



M8  
x  
50

x 8

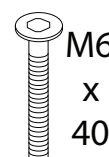
11



M6  
x  
20

x 8

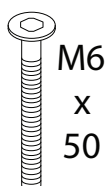
12



M6  
x  
40

x 18

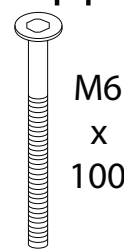
13



M6  
x  
50

x 16

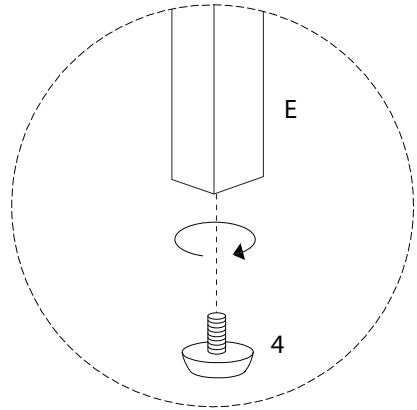
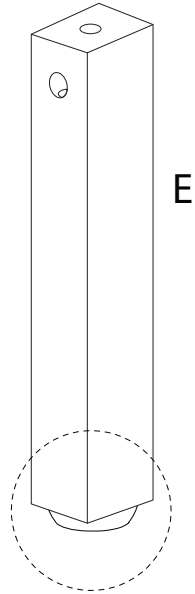
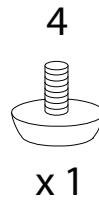
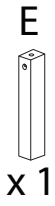
14



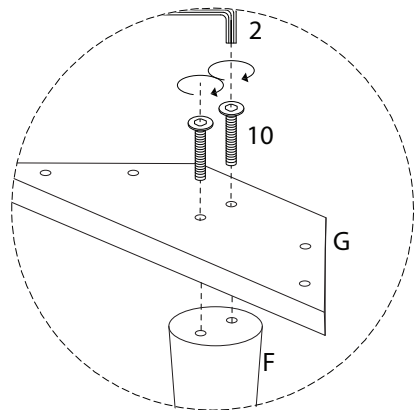
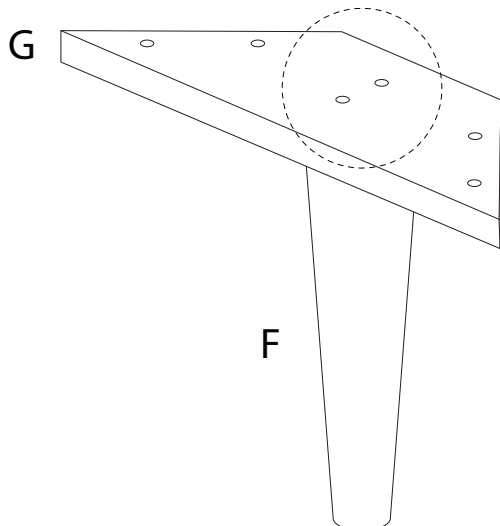
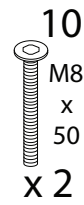
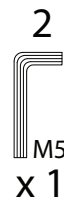
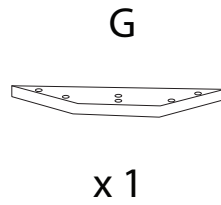
M6  
x  
100

x 3

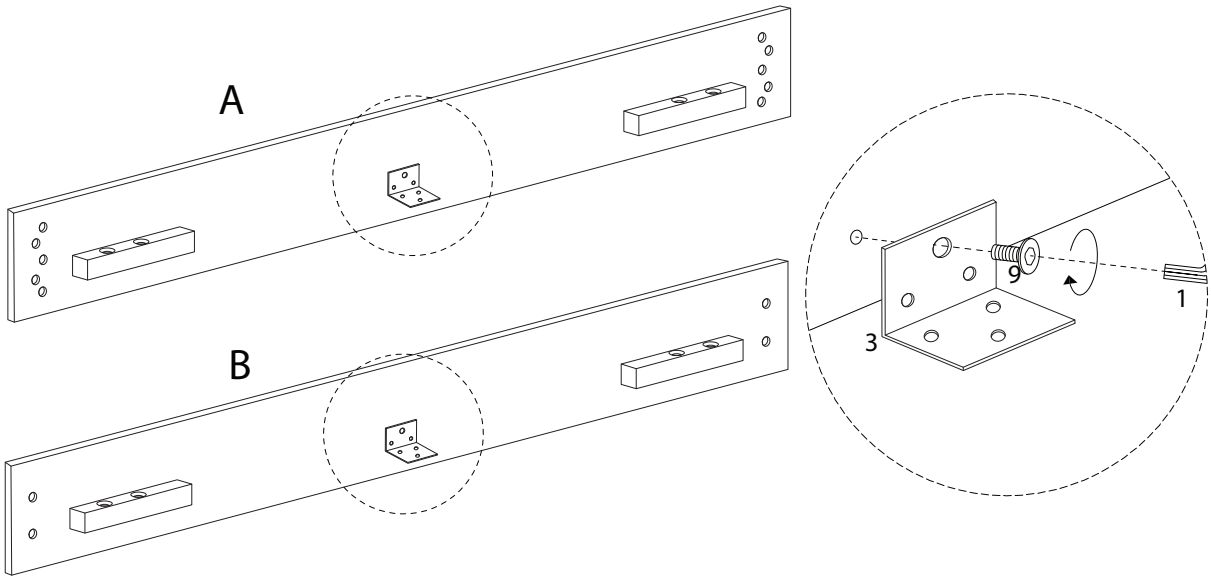
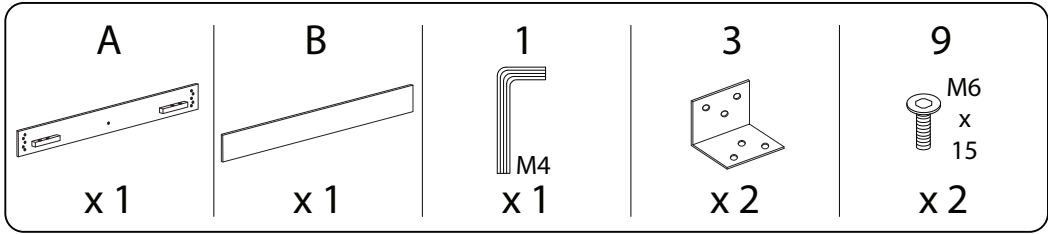
1 x 3



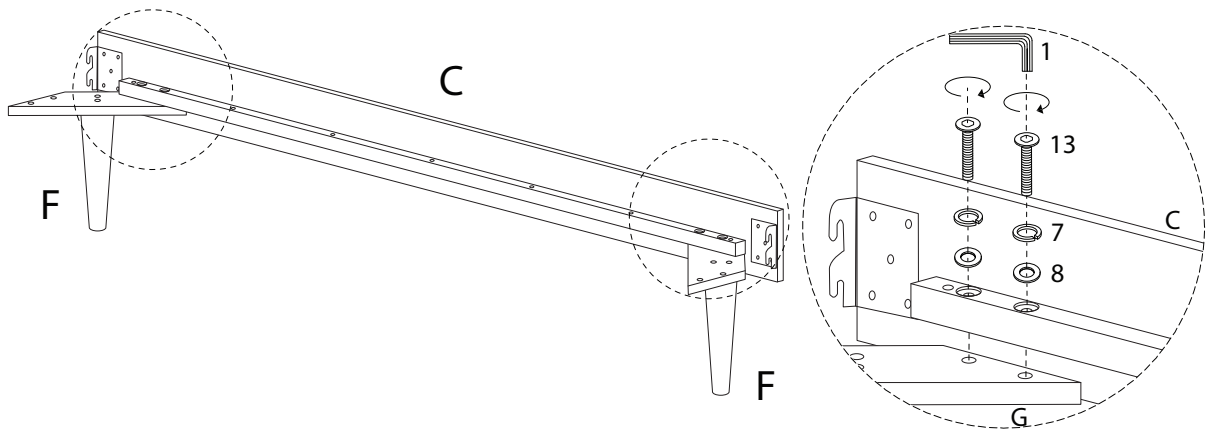
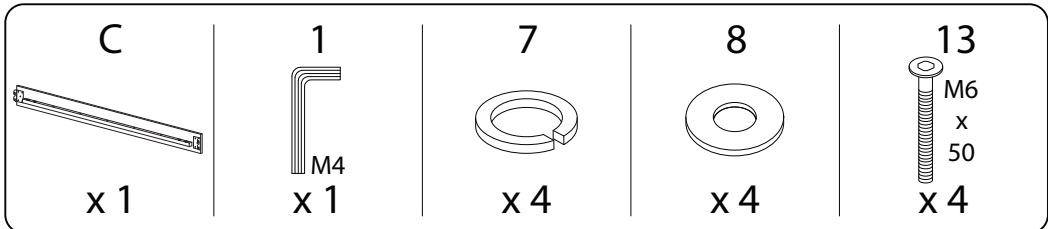
2 x 4



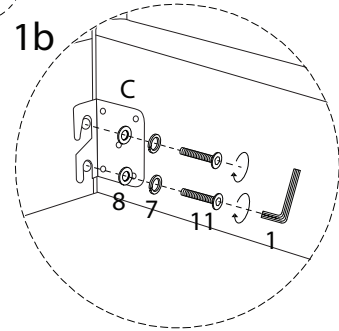
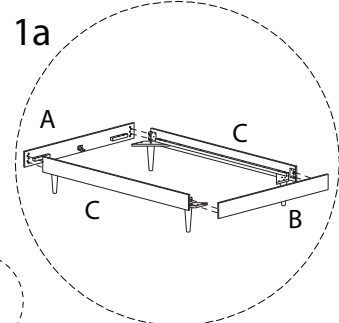
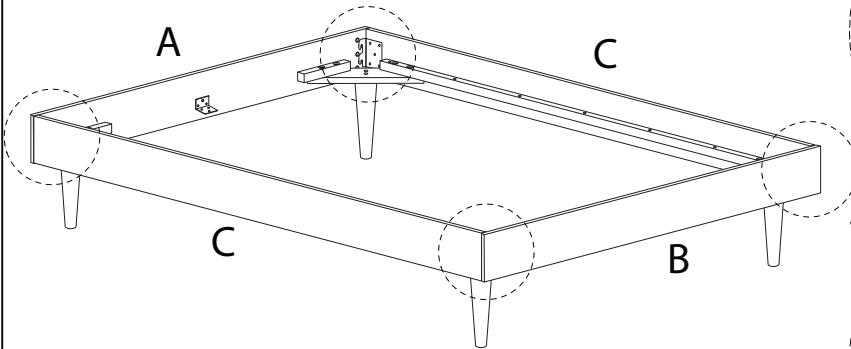
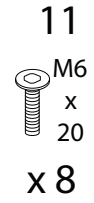
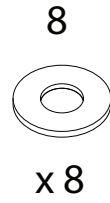
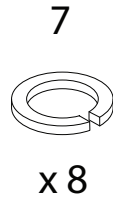
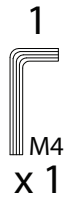
3



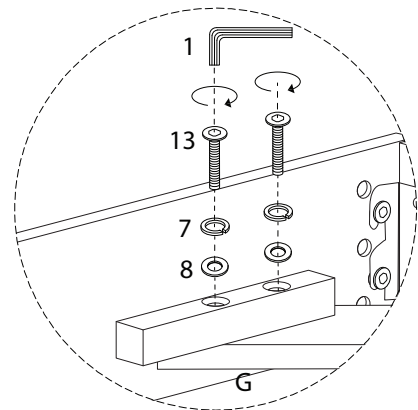
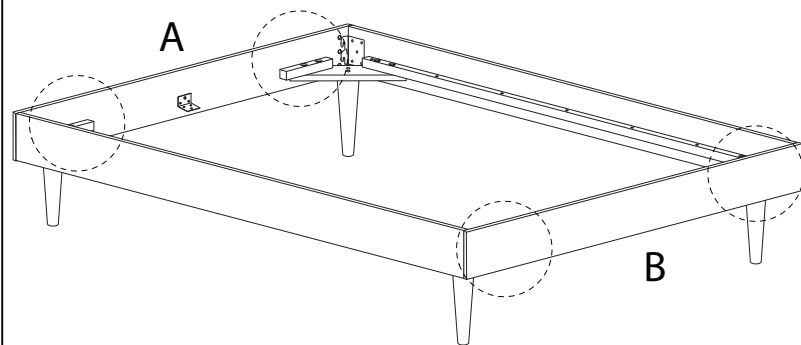
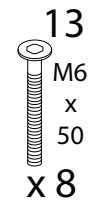
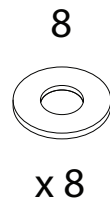
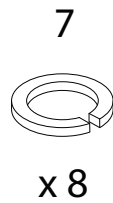
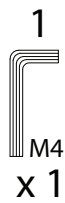
4 x 2



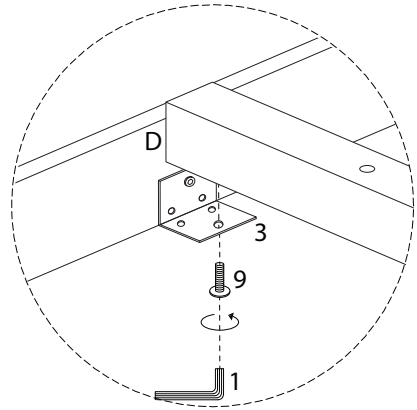
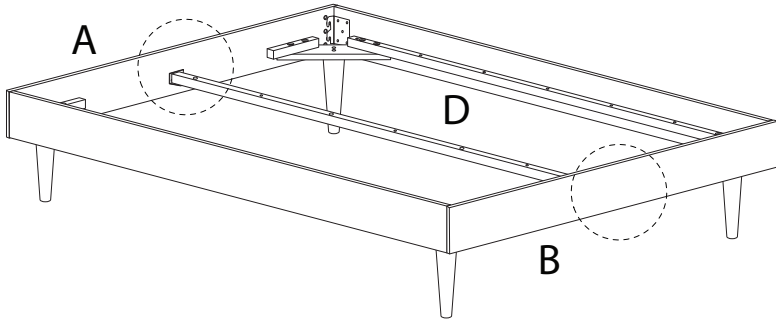
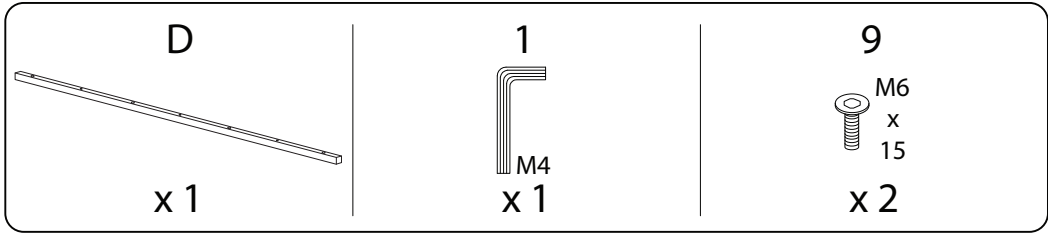
5



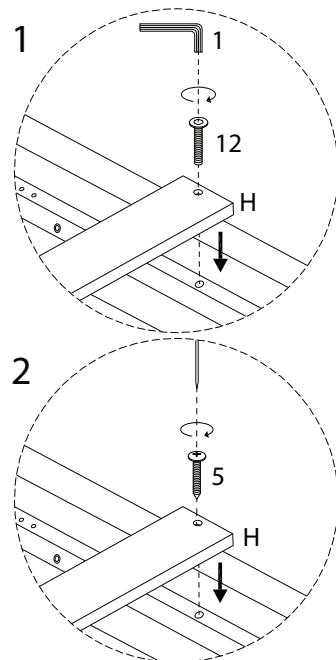
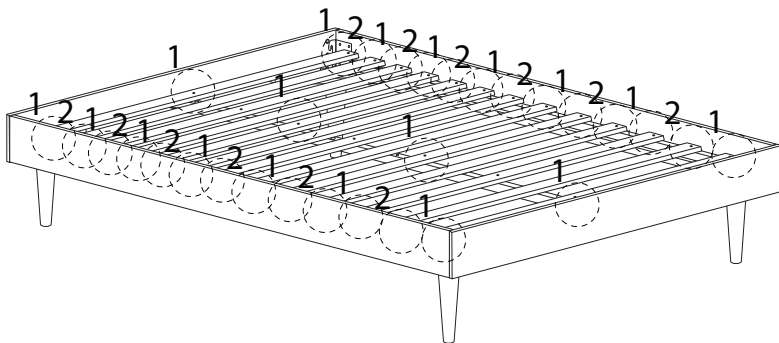
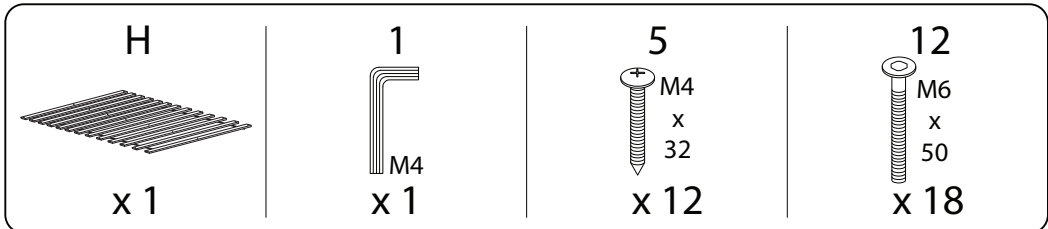
6



7



8



9

1  
M4  
x 1

6  
x 3

14  
M6  
x  
100  
x 3

