

Hall Tree

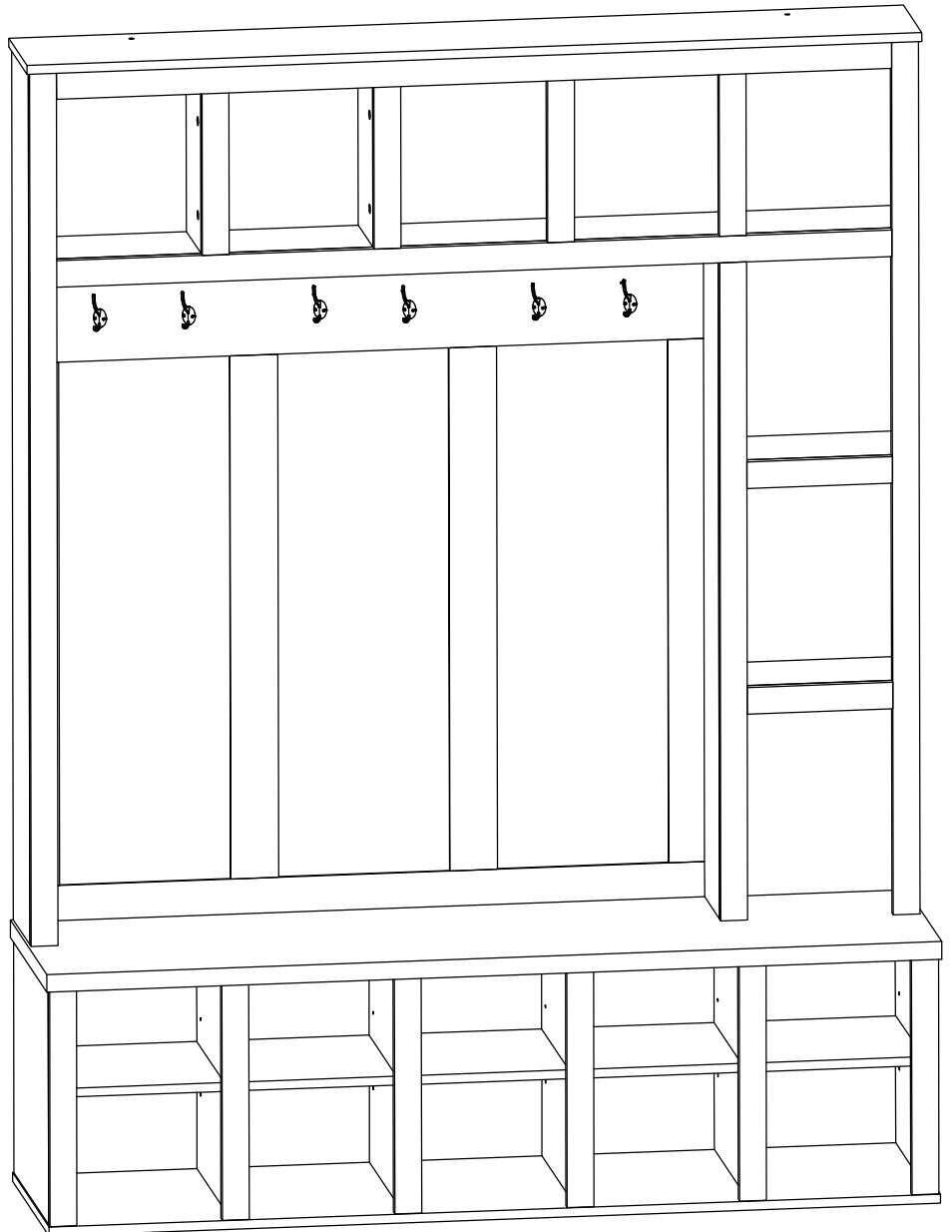
Assembly Instructions -Please keep for future reference

SKU: N721P428449/N721P428450

! WARNING



This product is NOT a Clothing Storage Unit (CSU).
DO NOT use it for clothing storage.
Improper use may cause furniture tipover.



Dimensions

Width-59.5 inch

Depth-15.8 inch



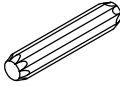




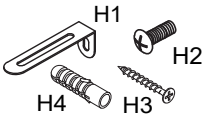
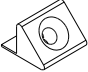



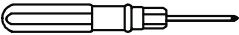
Height-76.8 inch

Important -Please read these instructions fully before starting assembly

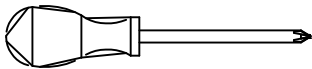
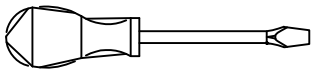
Components -Fittings

Please check you have all the panels listed below

Note: The quantities below are the correct amount to complete the assembly. In some cases more fittings may be supplied than are required.

<p>(A) </p> <p>Cam Bolt x 101+3</p>	<p>(B) </p> <p>Cam lock x101+3</p>	<p>(C) </p> <p>6x40mm Dowel x 69+3</p>	<p>(D) </p> <p>3*16mm Screw x 46+1</p>
<p>(E) </p> <p>Clothes hook x 6</p>	<p>(F) </p> <p>7*50mm Screw x 26+2</p>	<p>(G) </p> <p>Movable partition bracket x 20</p>	<p>(H) </p> <p>Anti-tipping device X 2</p>
<p>(I) </p> <p>Plastic buckle x 34</p>	<p>(J) </p> <p>Felt mat X 10</p>	<p>(K) </p> <p>Sticker Cover x 64+3</p>	<p>(L) </p> <p>Allen Wrench x 1</p>
<p>(M) </p> <p>Screwdriver x 1</p>			

Tools required



Phillips screwdriver
(medium & large)



Safety and Care Advice

Important – Please read these instructions fully before starting assembly

- Check you have all the components and tools listed on the following pages.
- Remove all fittings from the plastic bags and separate them into their groups.
- Keep children and animals away from the work area, small parts could choke if swallowed.
- Make sure you have enough space to layout the parts before starting.

- During assembly do not stand or put weight on the product, this could cause damage.
- Assemble the item as close to its final position (in the same room) as possible.
- Assemble on a soft level surface to avoid damaging the unit or your floor.
- Parts of the assembly will be easier with 2 people.



power drill is set on a low torque setting.

- To reduce the likelihood of damaging your product please ensure that your

Care and maintenance

• Only clean using a damp cloth and mild detergent, do not use bleach or abrasive cleaners.

• From time to time check that there are no loose screws on this unit.

• This product should not be discarded with household waste. Take to your local authority waste disposal centre.

Handy Hints

• Assemble all parts and bolts loosely during assembly, only once the product is complete should you fully tighten the bolts

• Regularly check and ensure That all bolts and fittings are tightend properly.

WARNING
In order to help prevent overturning – please follow these instructions

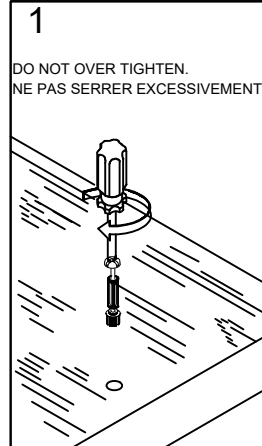
To help prevent product toppling over please follow the below steps:-

- Use the anti tip stap or wall fixing method provided (if applicable)
- Do not allow children to climb or hang on the furniture
- Do not open more than one drawer at a time
- Do not place heavy items in the top drawers
- Do not place heavy items on top of the furniture, unless the furniture has been designed for this purpose

Using Camlocks

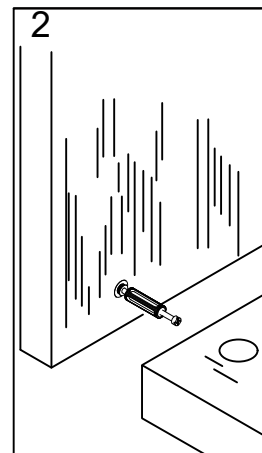
Step 1

Connect the male camlock as directed in the assembly instructions using a screwdriver.



Step 2

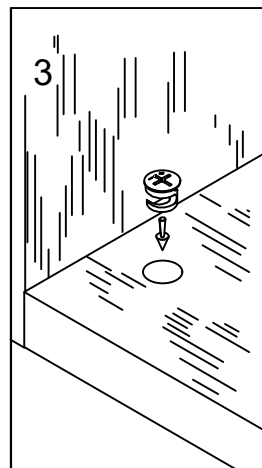
Push the male camlock into the entry hole.



Step 3

Insert the female camlock as shown in the instruction.

Note: ensure that the arrow on the top of the camlock points towards the entry hole for the male camlock.

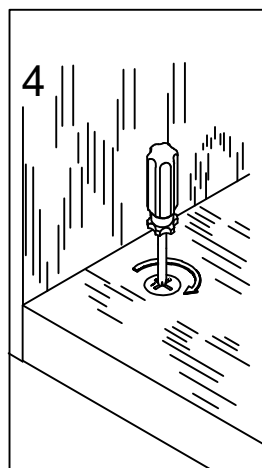


Step 4

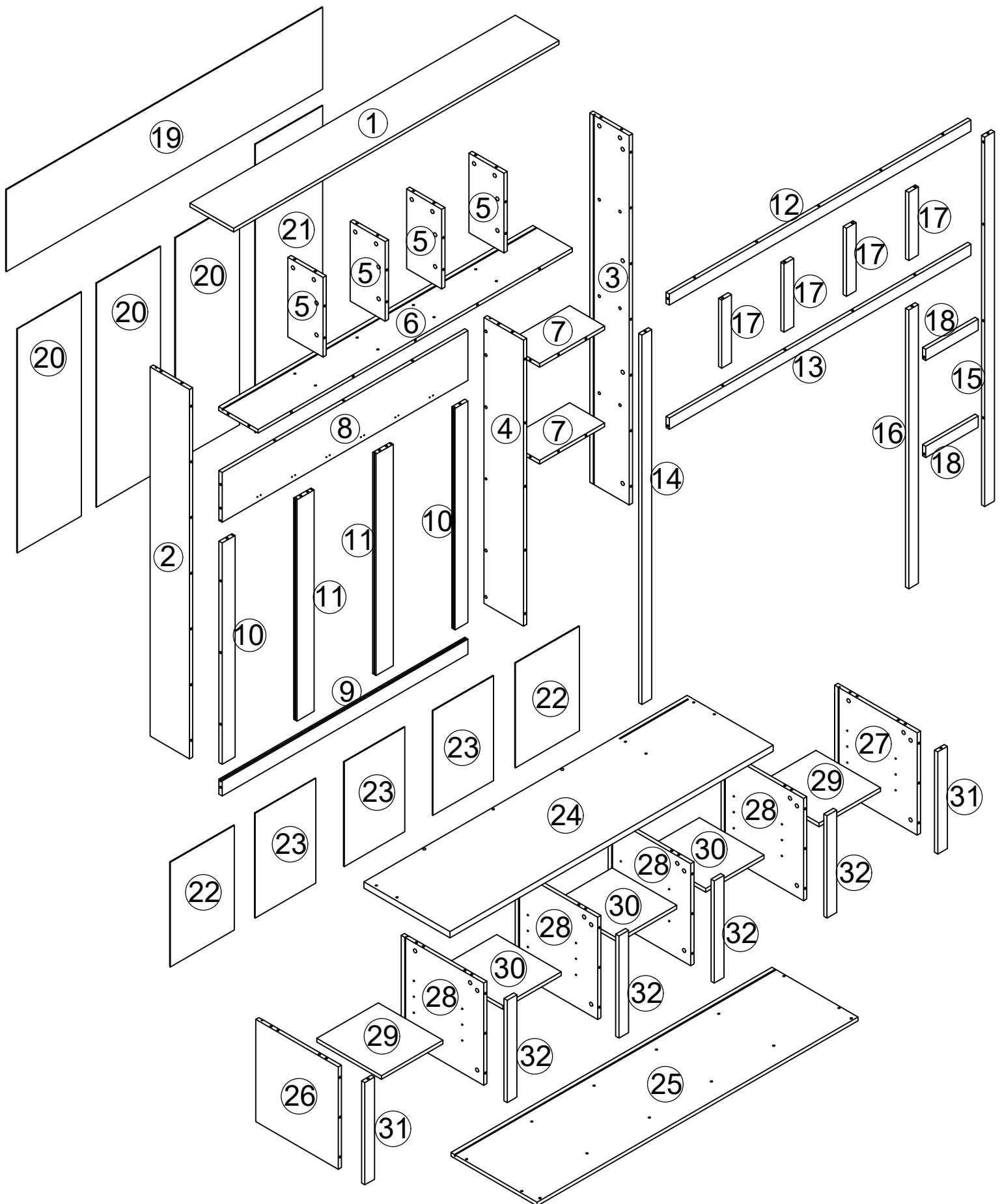
Turn the female camlock clockwise with a screwdriver.

You should feel a click when the camlock is locked in place.

The joint is now secure.

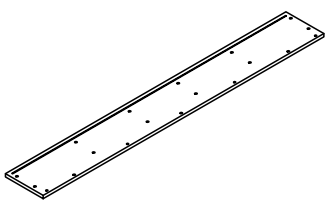
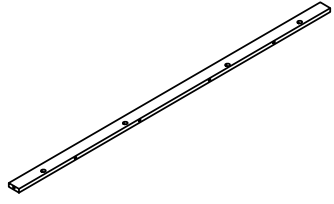
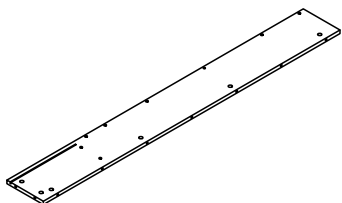
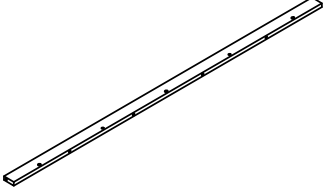
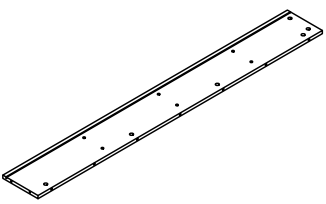
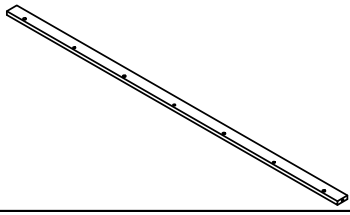
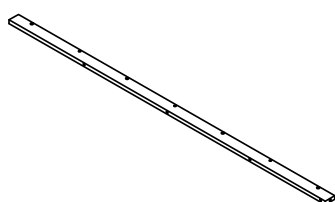
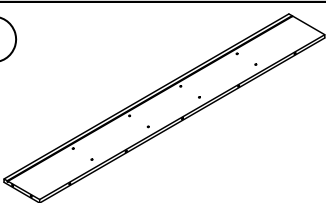
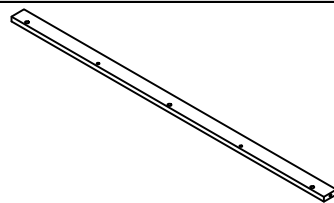
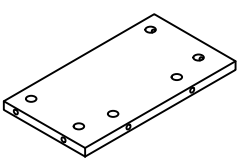
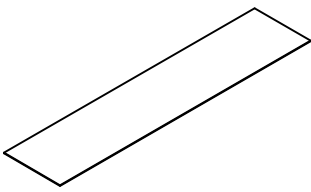
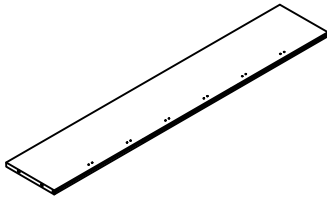
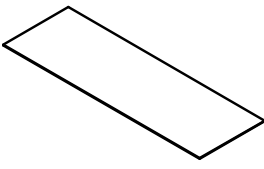
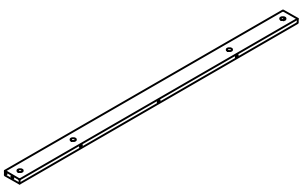
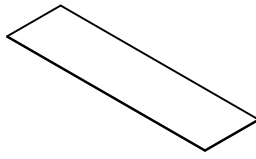
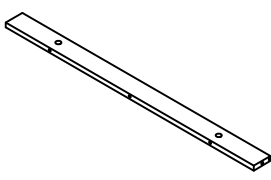
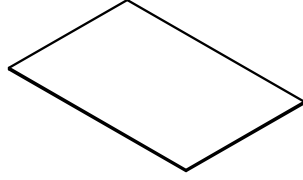


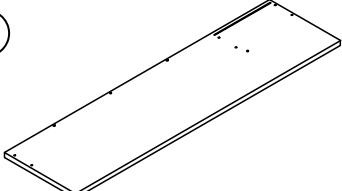
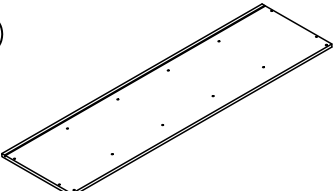
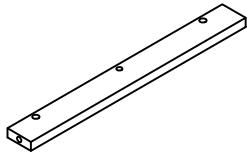
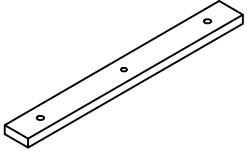
Assembly Instructions



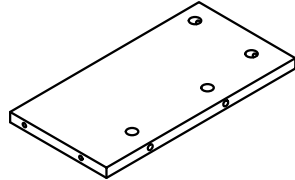
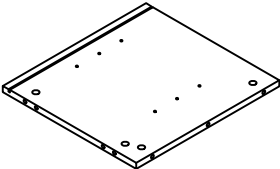
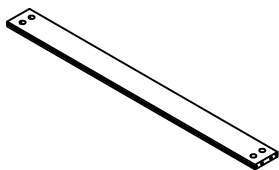
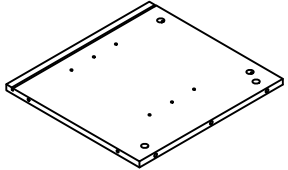
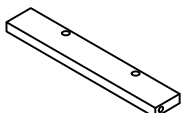
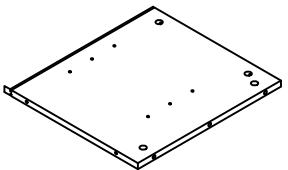
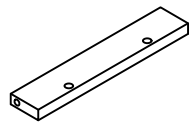
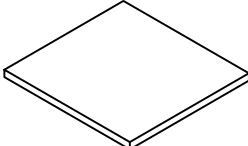
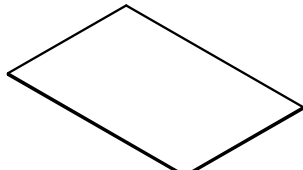
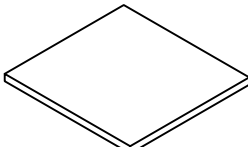
There are 2 boxes of this product.

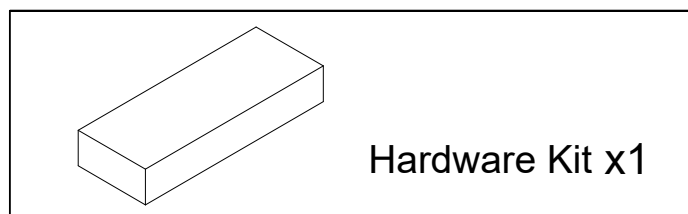
BOX A - N721P428449

<p>①  1500*200*15mm</p> <p>1PC</p>	<p>⑫  1400*45*15mm</p> <p>1PC</p>
<p>②  1485*180*15mm</p> <p>1PC</p>	<p>⑬  1400*45*15mm</p> <p>1PC</p>
<p>③  1485*180*15mm</p> <p>1PC</p>	<p>⑭  1485*45*15mm</p> <p>1PC</p>
<p>④  1150*180*15mm</p> <p>1PC</p>	<p>⑮  1485*45*15mm</p> <p>1PC</p>
<p>⑥  1460*180*15mm</p> <p>1PC</p>	<p>⑯  1120*45*15mm</p> <p>1PC</p>
<p>⑦  304*160*15mm</p> <p>2PCS</p>	<p>⑲  1467*327*4mm</p> <p>1PC</p>
<p>⑧  1141*200*15mm</p> <p>1PC</p>	<p>⑳  897*294*4mm</p> <p>3PCS</p>
<p>⑨  1141*60*15mm</p> <p>1PC</p>	<p>㉑  1157*311*4mm</p> <p>1PC</p>
<p>⑩  890*60*15mm</p> <p>2PCS</p>	<p>㉒  407*296*4mm</p> <p>2PCS</p>

 <p>24</p> <p>1500*400*30mm</p> <p>1PC</p>	 <p>25</p> <p>1490*400*15mm</p> <p>1PC</p>
 <p>31</p> <p>400*45*15mm</p> <p>2PCS</p>	 <p>32</p> <p>400*45*15mm</p> <p>4PCS</p>

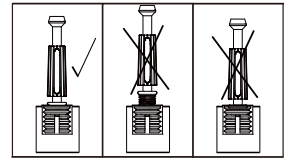
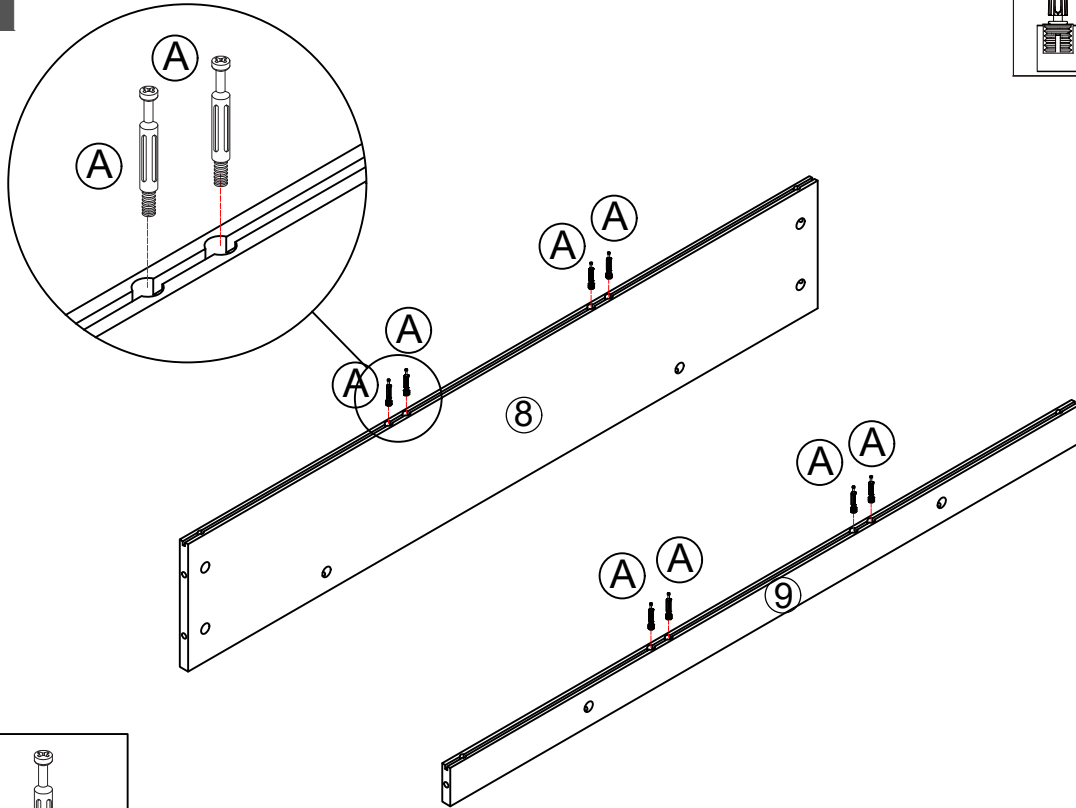
BOX B - N721P428450

 <p>5</p> <p>320*160*15mm</p> <p>4PCS</p>	 <p>26</p> <p>400*380*15mm</p> <p>1PC</p>
 <p>11</p> <p>890*80*15mm</p> <p>2PCS</p>	 <p>27</p> <p>400*380*15mm</p> <p>1PC</p>
 <p>17</p> <p>274*45*15mm</p> <p>4PCS</p>	 <p>28</p> <p>400*380*15mm</p> <p>4PCS</p>
 <p>18</p> <p>244*45*15mm</p> <p>2PCS</p>	 <p>29</p> <p>288*300*15mm</p> <p>2PCS</p>
 <p>23</p> <p>407*281*4mm</p> <p>3PCS</p>	 <p>30</p> <p>273*300*15mm</p> <p>3PCS</p>



Assembly Instructions

Step 1

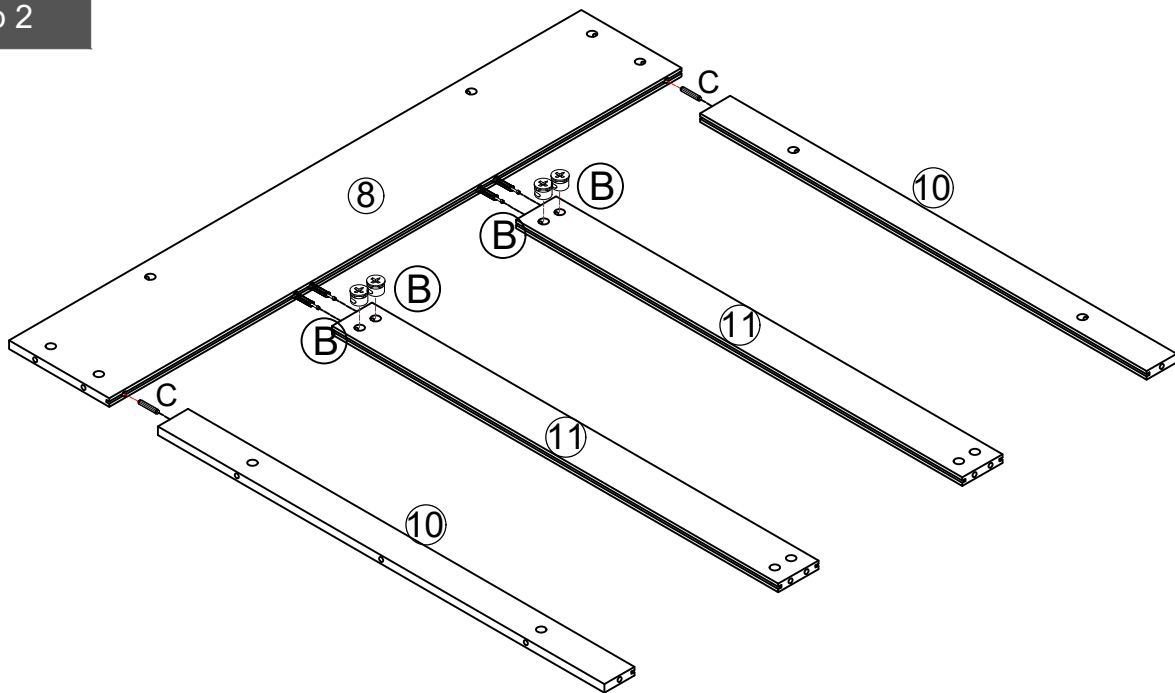


(A)



Cam Bolt x 8

Step 2

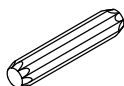


(B)

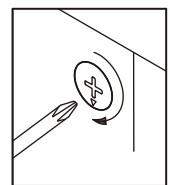
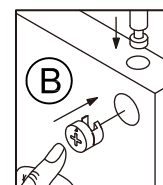


Cam lock x 4

(C)

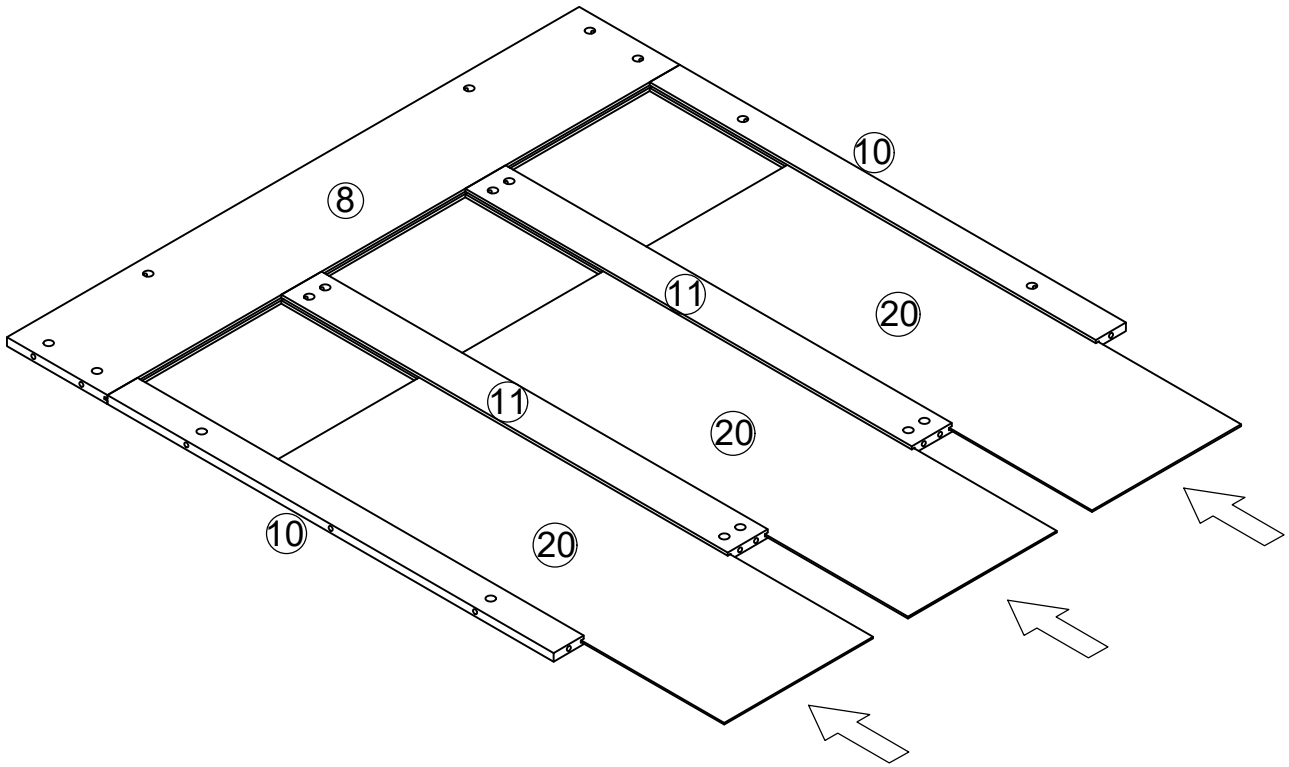


Dowel x 2

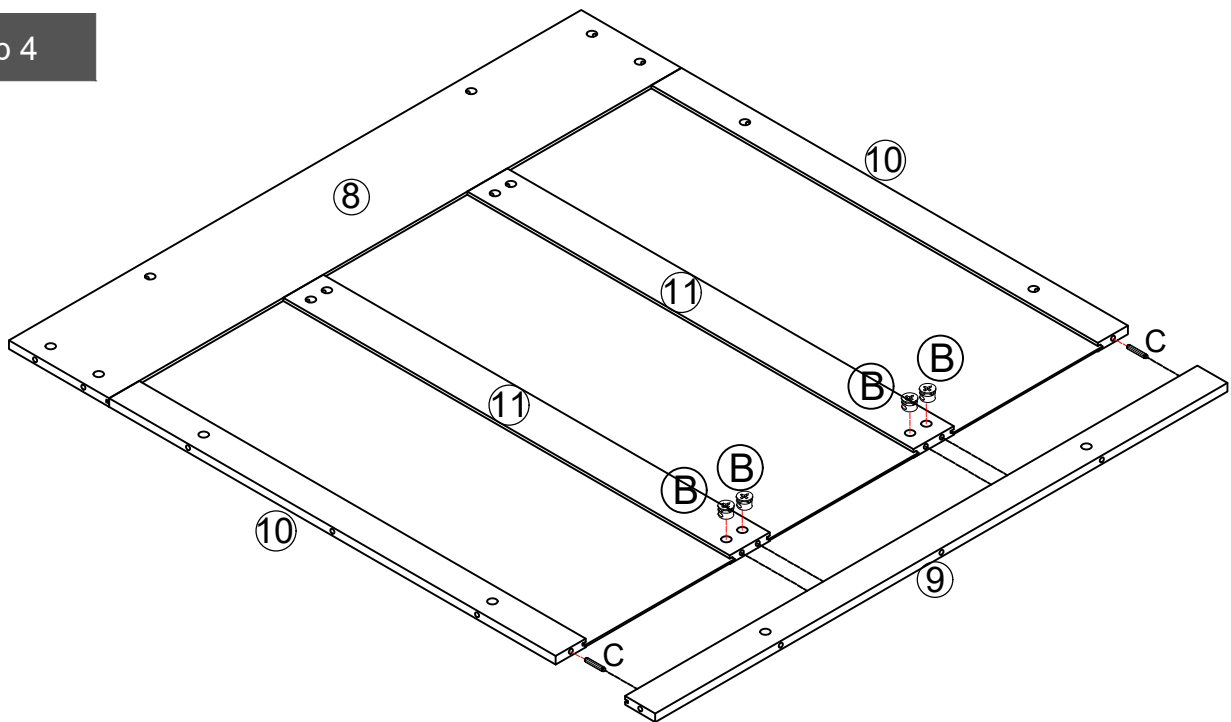


Assembly Instructions

Step 3



Step 4

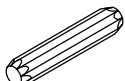


(B)

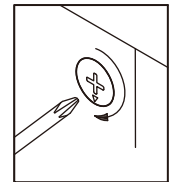
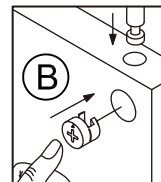


Cam lock x 4

(C)

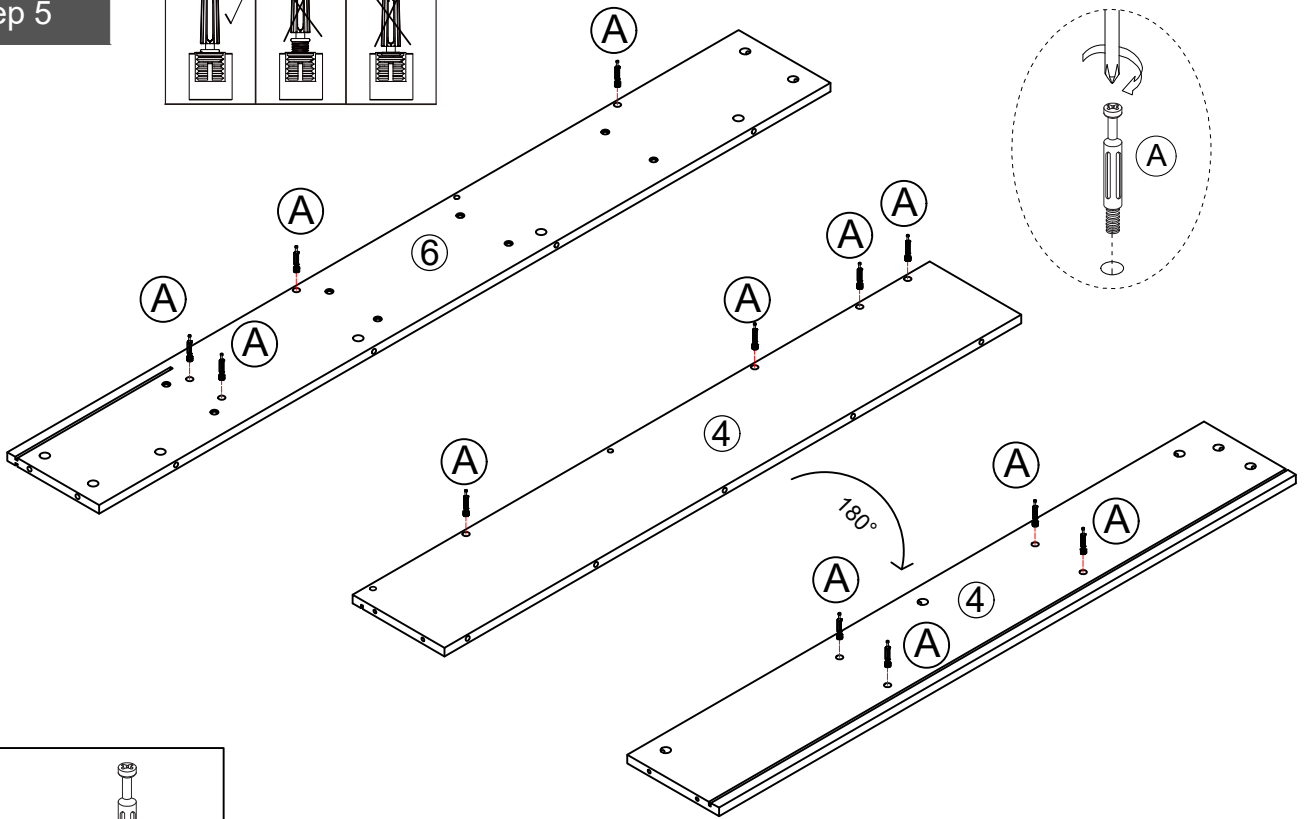
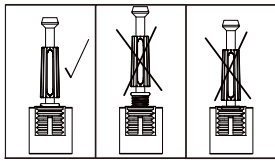


Dowel x 2



Assembly Instructions

Step 5

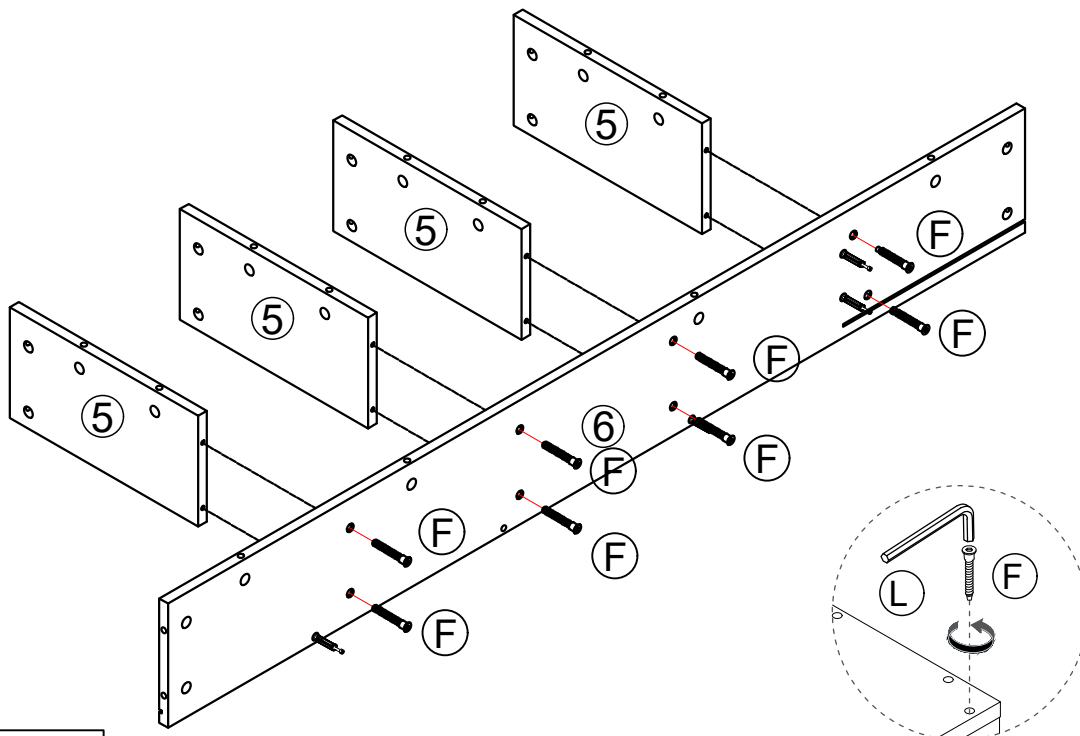


(A)



Cam Bolt x 12

Step 6



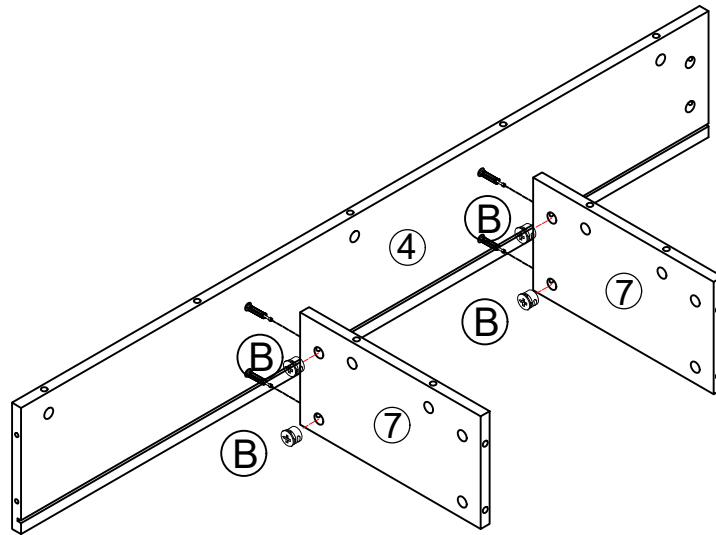
(F)



7*50mm Screw x 8

Assembly Instructions

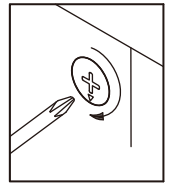
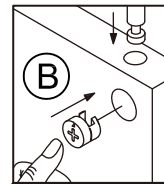
Step 7



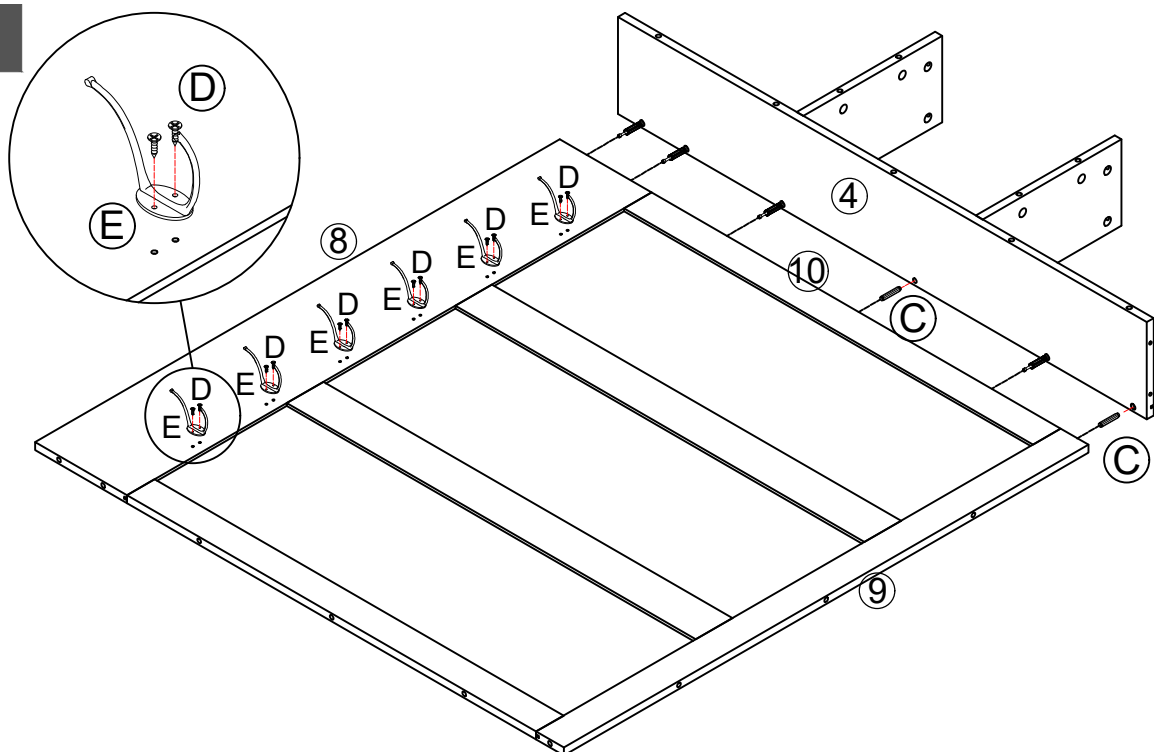
(B)



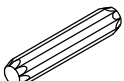
Cam lock x 4



Step 8



(C)



Dowel x 2

(D)



3*16mm Screw x 12

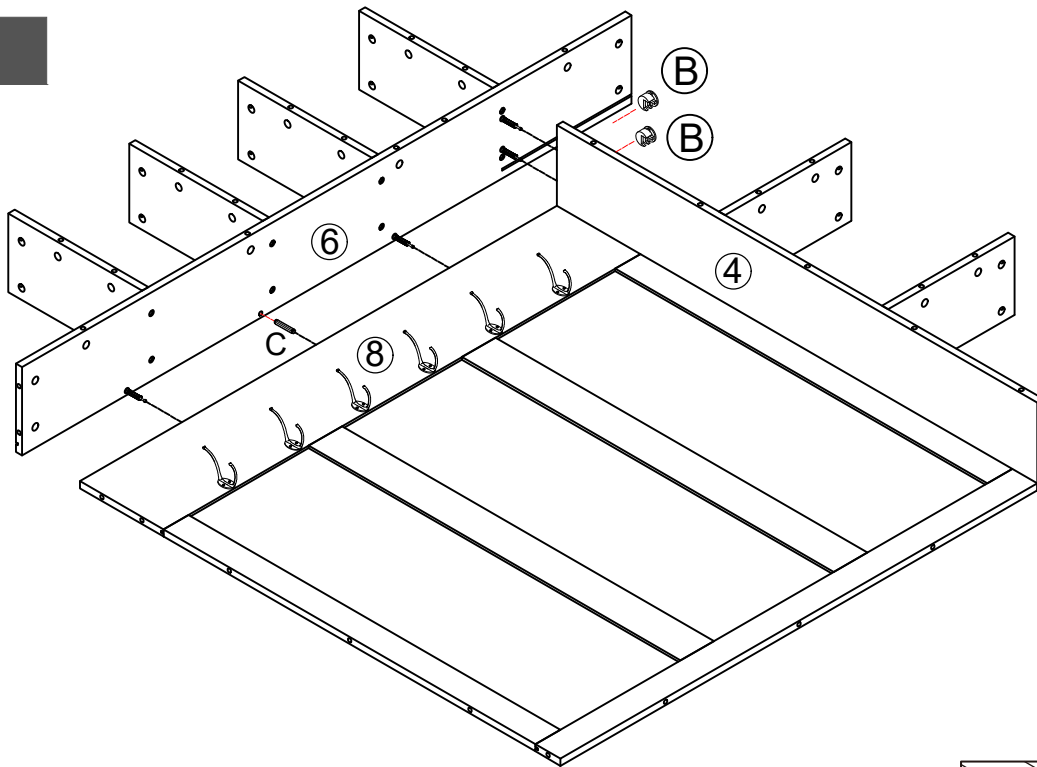
(E)



Clothes hook x 6

Assembly Instructions

Step 9

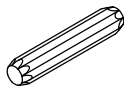


(B)

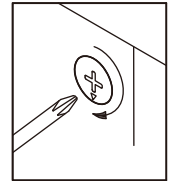
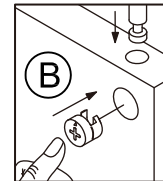


Cam lock x 2

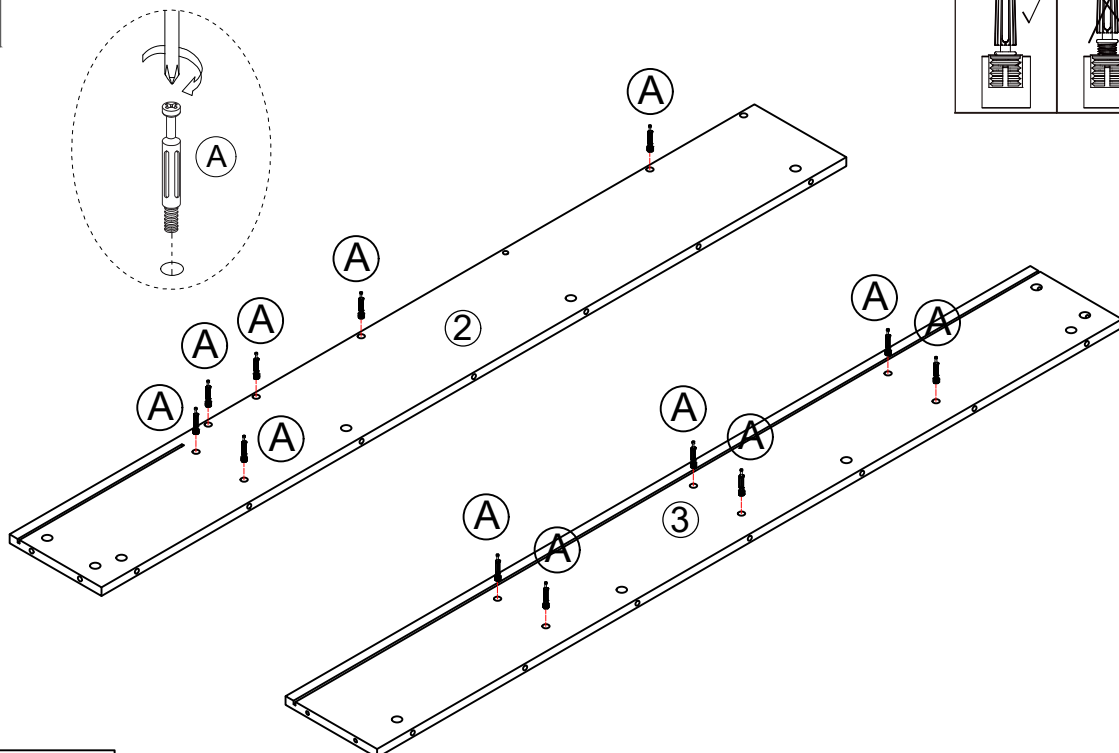
(C)



Dowel x 1



Step 10



(A)

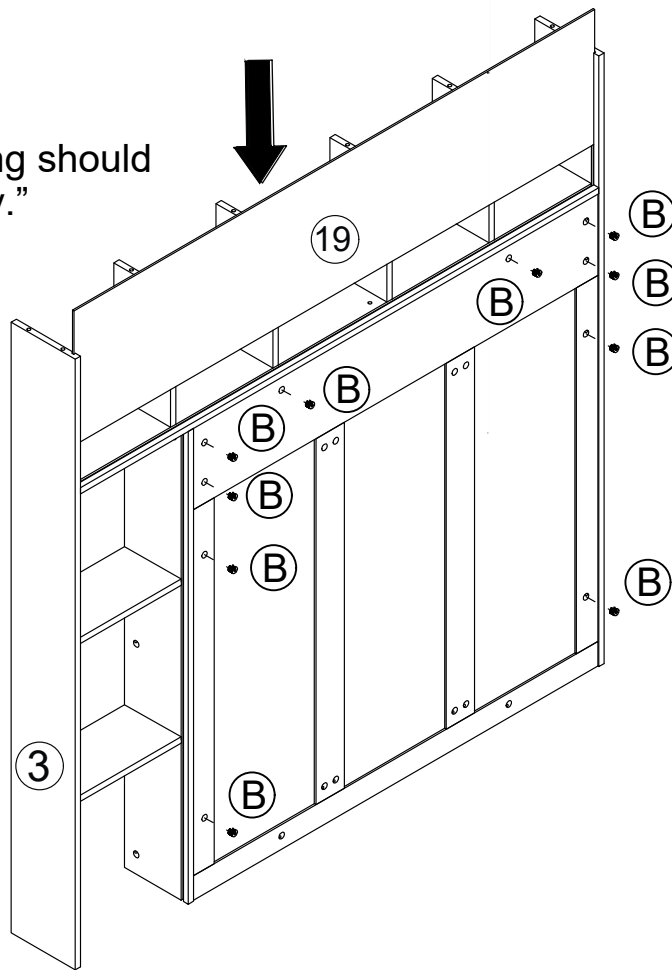


Cam Bolt x 12

Assembly Instructions

Step 13

“Two people assembling should hold the cabinet steady.”

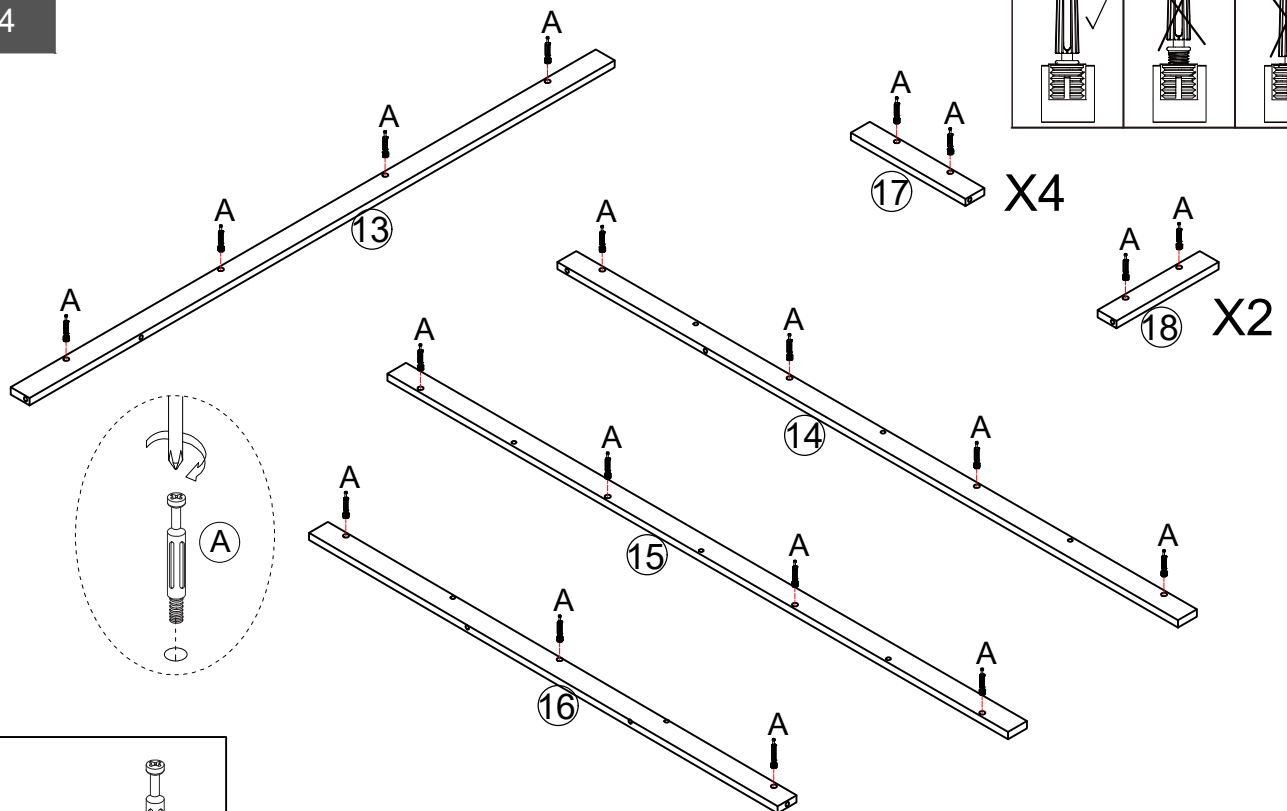


(B)



Cam lock x 10

Step 14



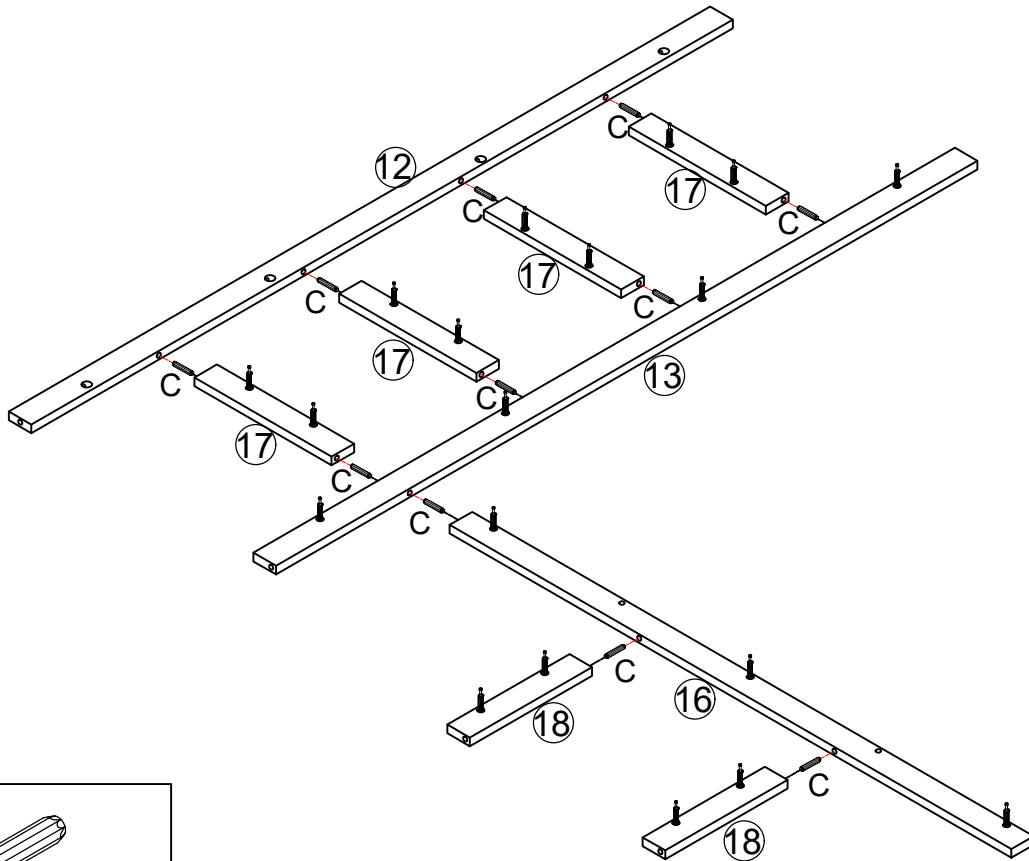
(A)



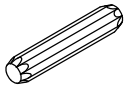
Cam Bolt x 27

Assembly Instructions

Step 15

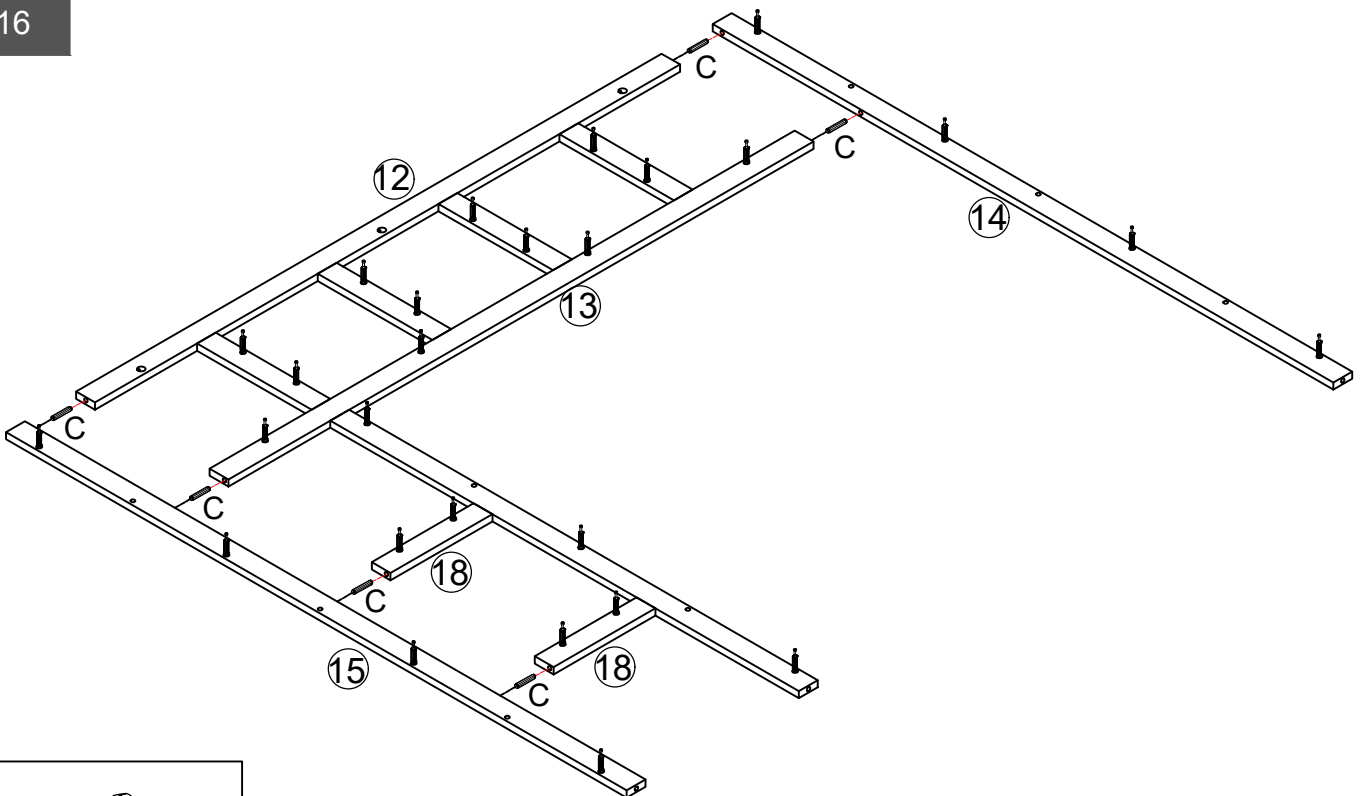


C

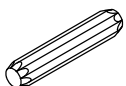


Dowel x 11

Step 16



C

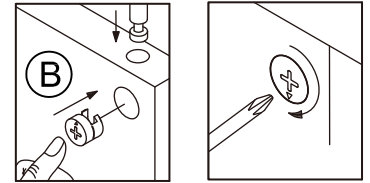
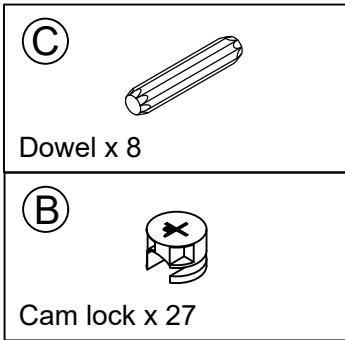
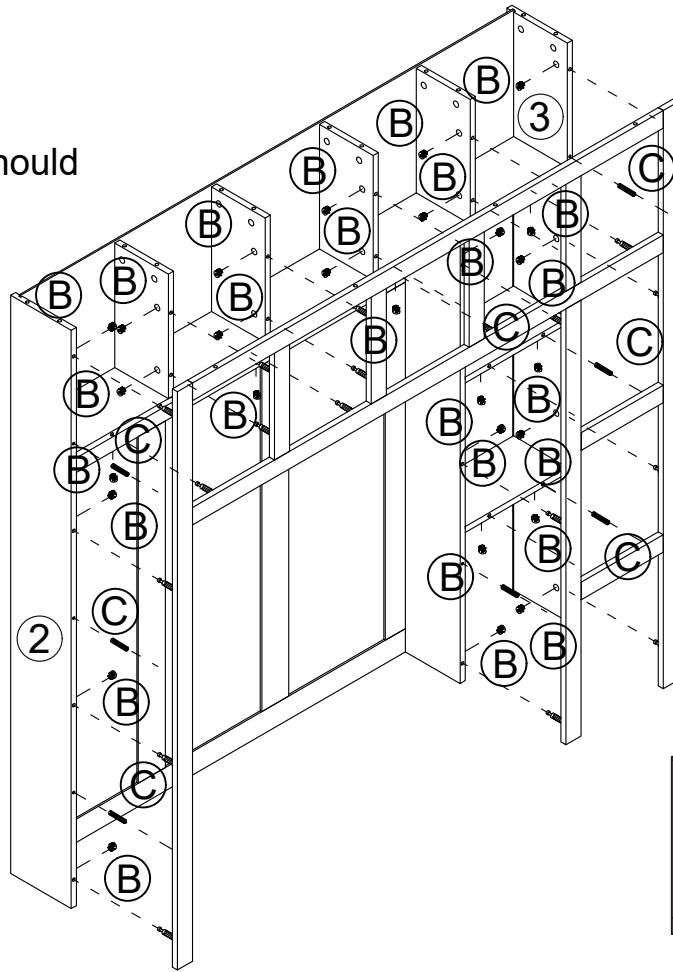


Dowel x 6

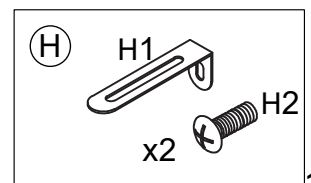
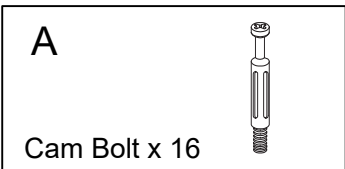
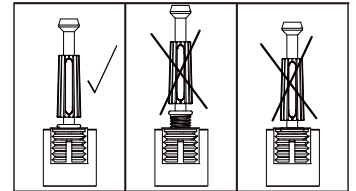
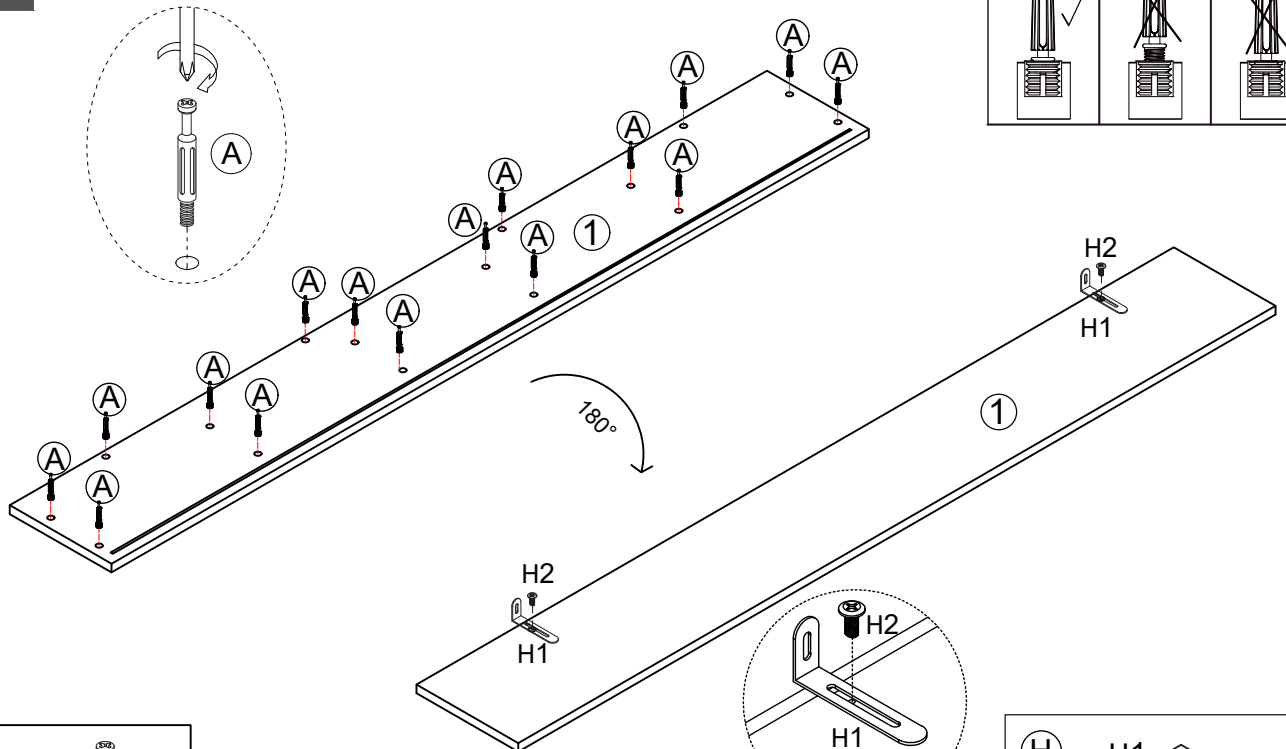
Assembly Instructions

Step 17

Two people assembling should hold the cabinet steady.



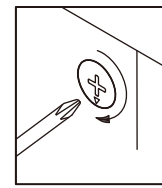
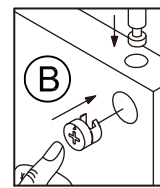
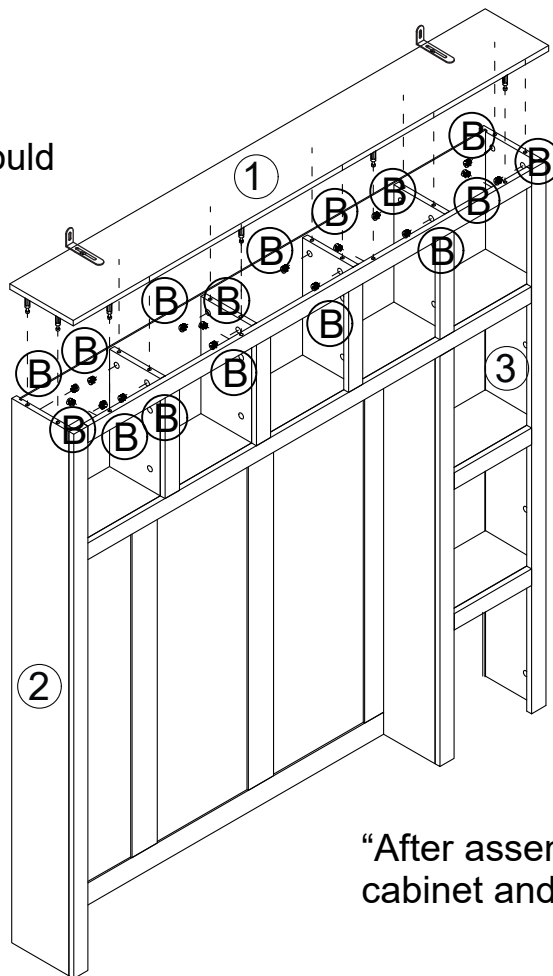
Step 18



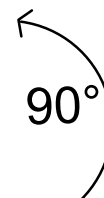
Assembly Instructions

Step 19

Two people assembling should hold the cabinet steady.



“Please have two people work together.”



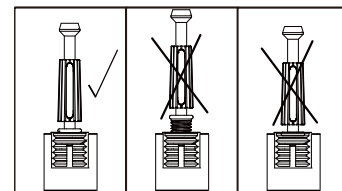
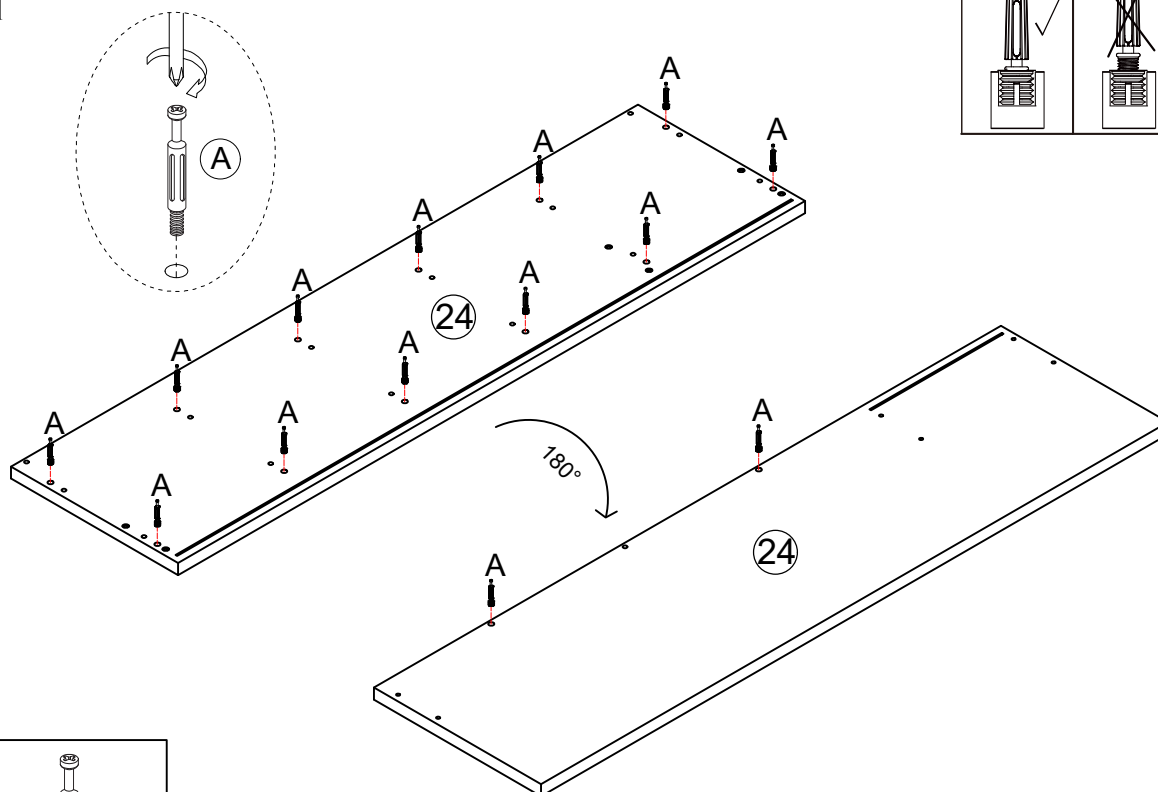
“After assembling panel 1, turn the cabinet and lay it down.”

(B)



Cam lock x 16

Step 20



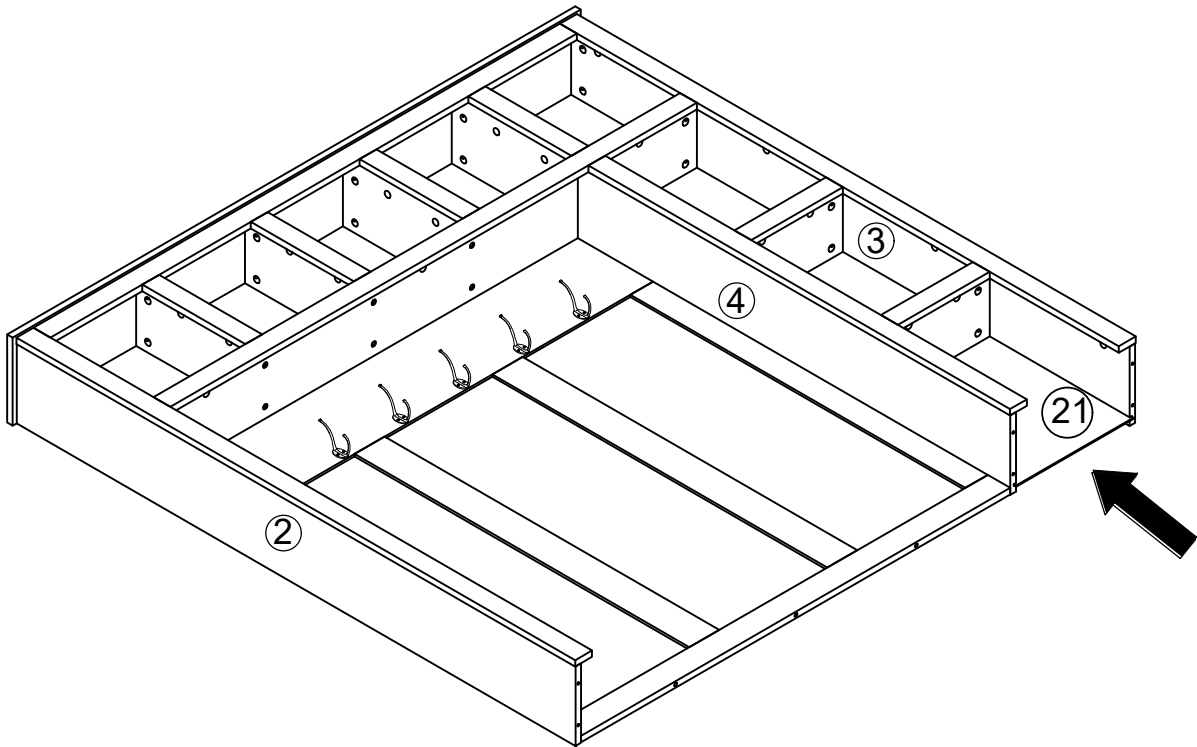
(A)



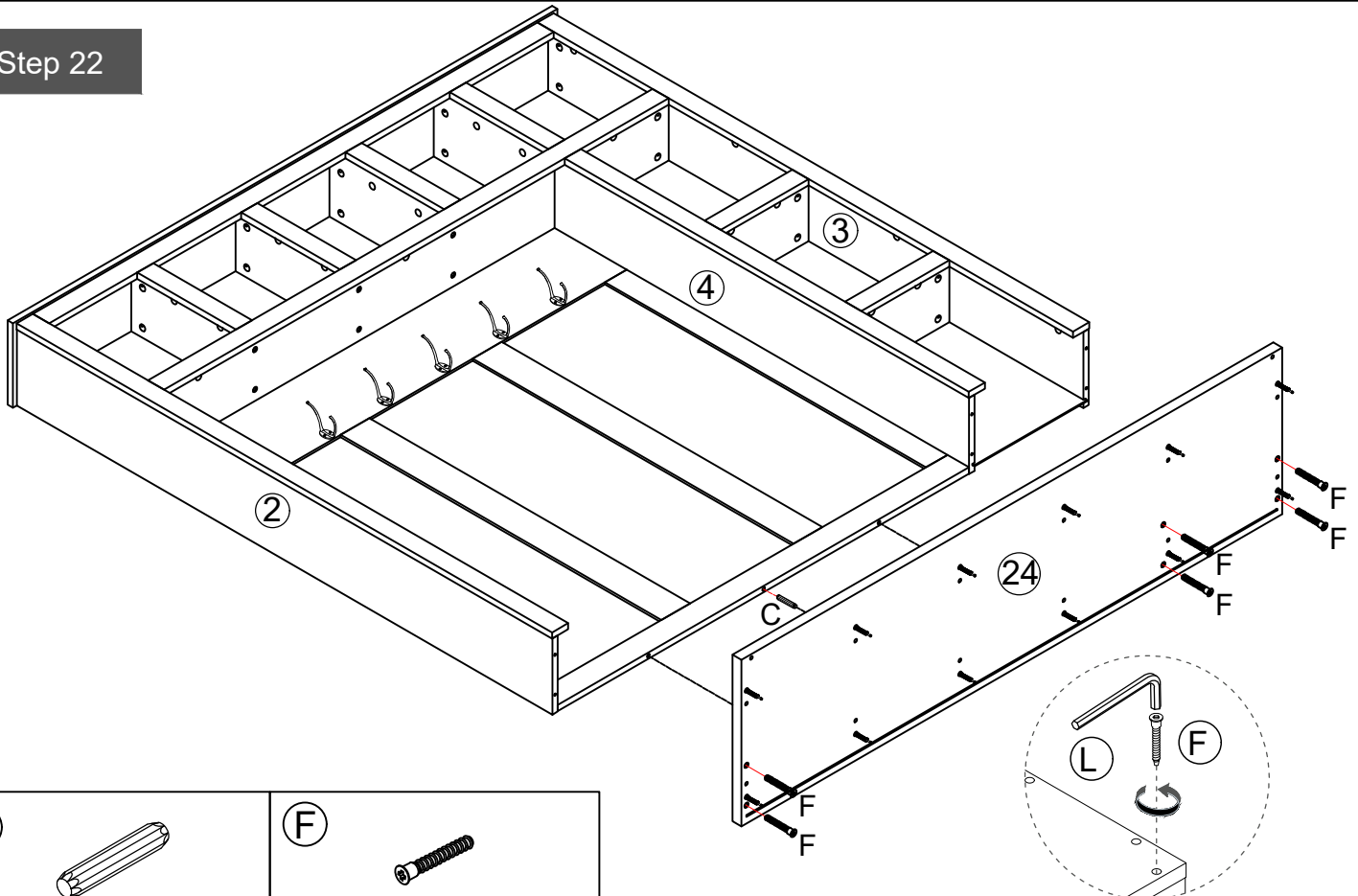
Cam Bolt x 14

Assembly Instructions

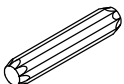
Step 21



Step 22



(C)



Dowel x 1

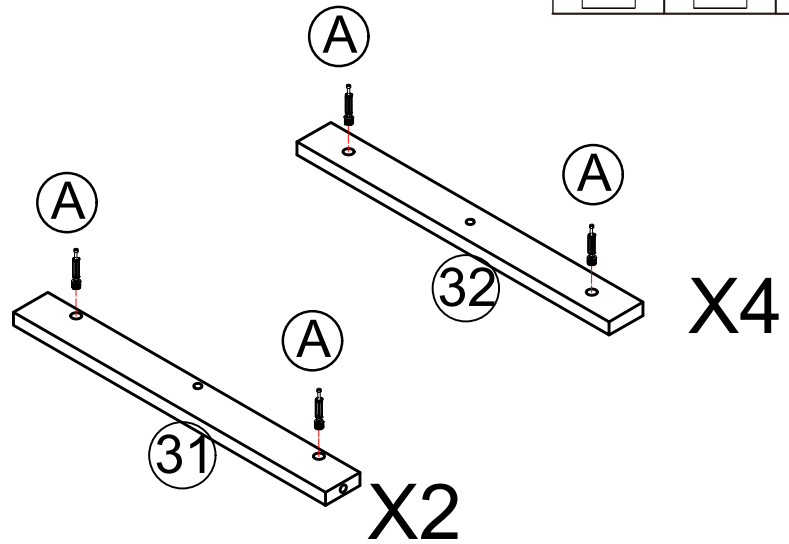
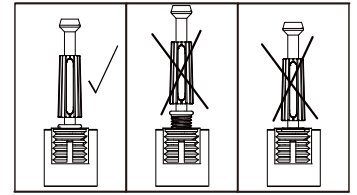
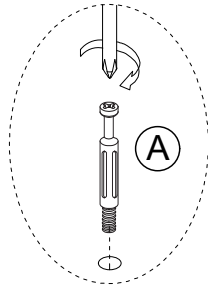
(F)



7*50mm Screw x 6

Assembly Instructions

Step 23

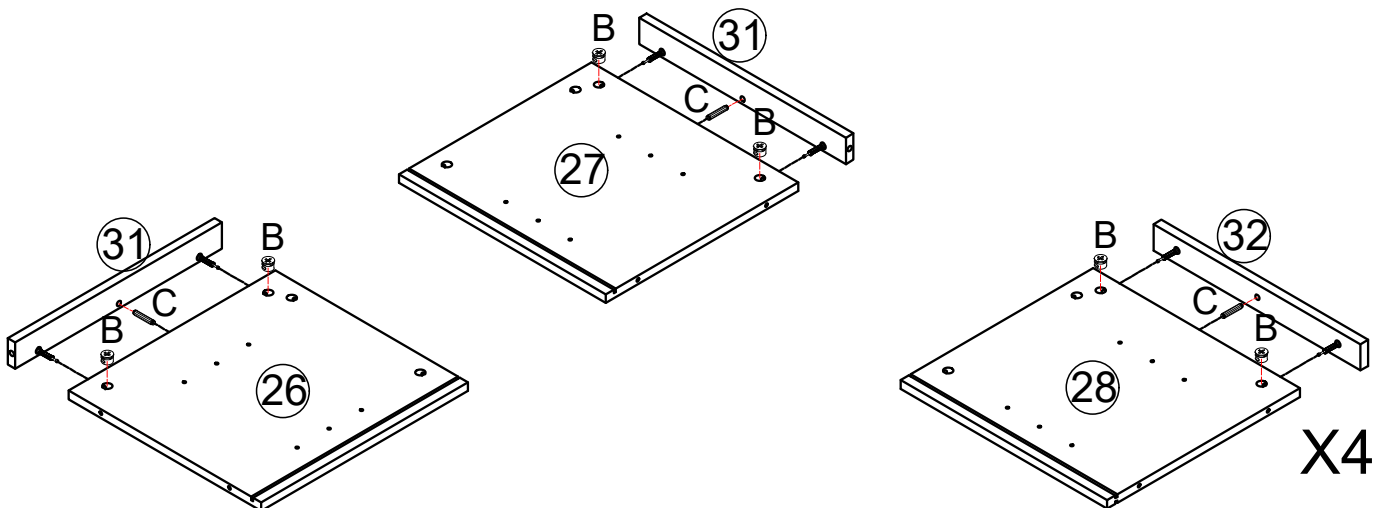


(A)



Cam Bolt x 12

Step 24

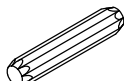


(B)

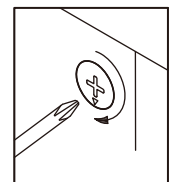
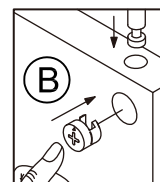


Cam lock x 12

(C)

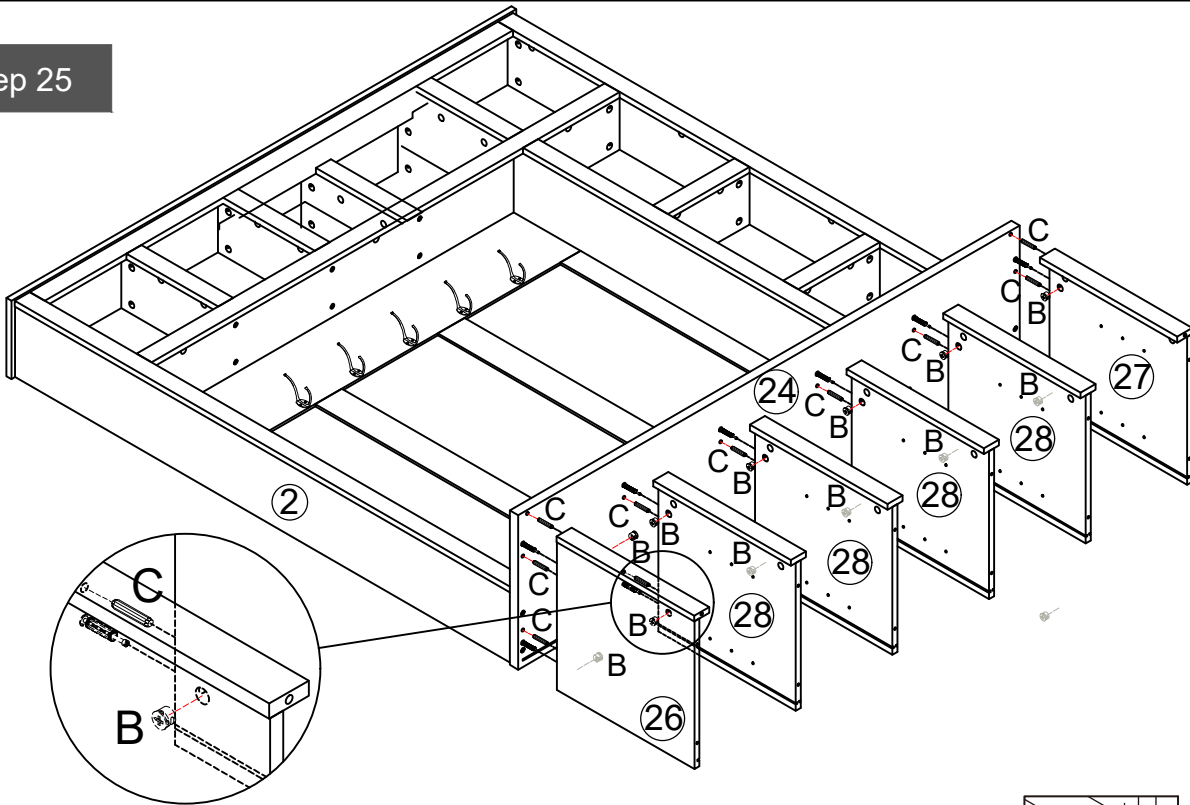


Dowel x 6



Assembly Instructions

Step 25

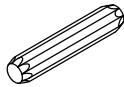


(B)

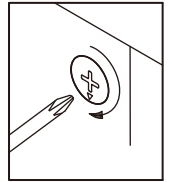
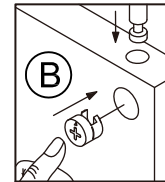


Cam lock x 12

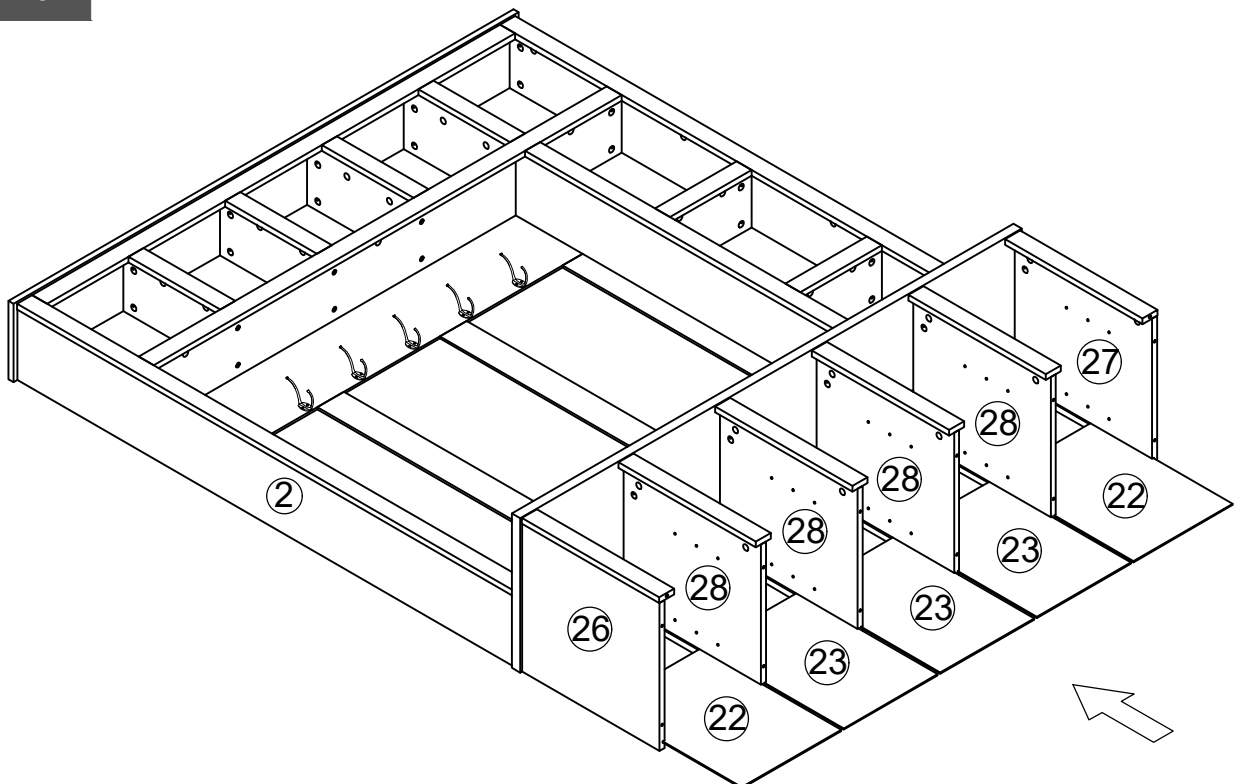
(C)



Dowel x 14

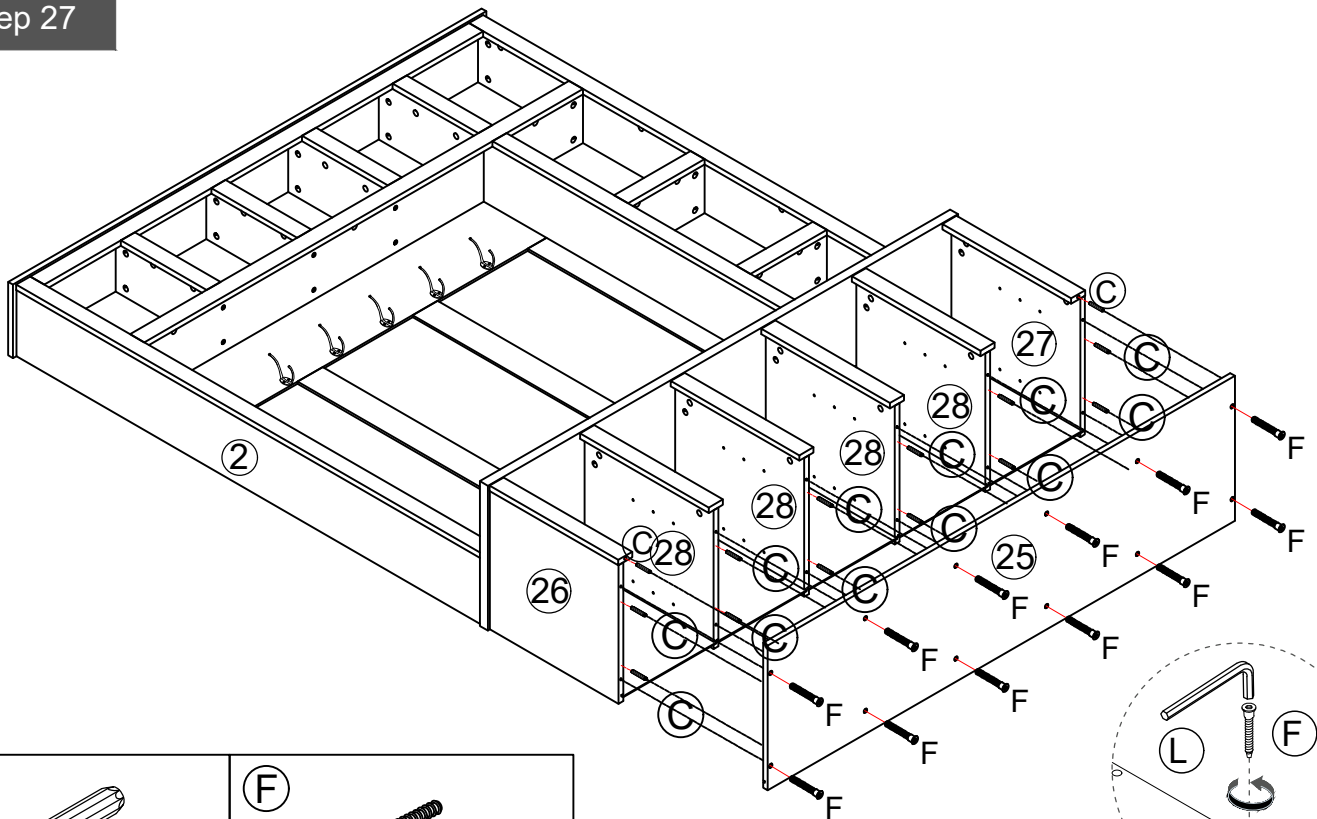


Step 26

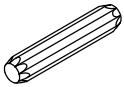


Assembly Instructions

Step 27



(C)



Dowel x 14

(F)

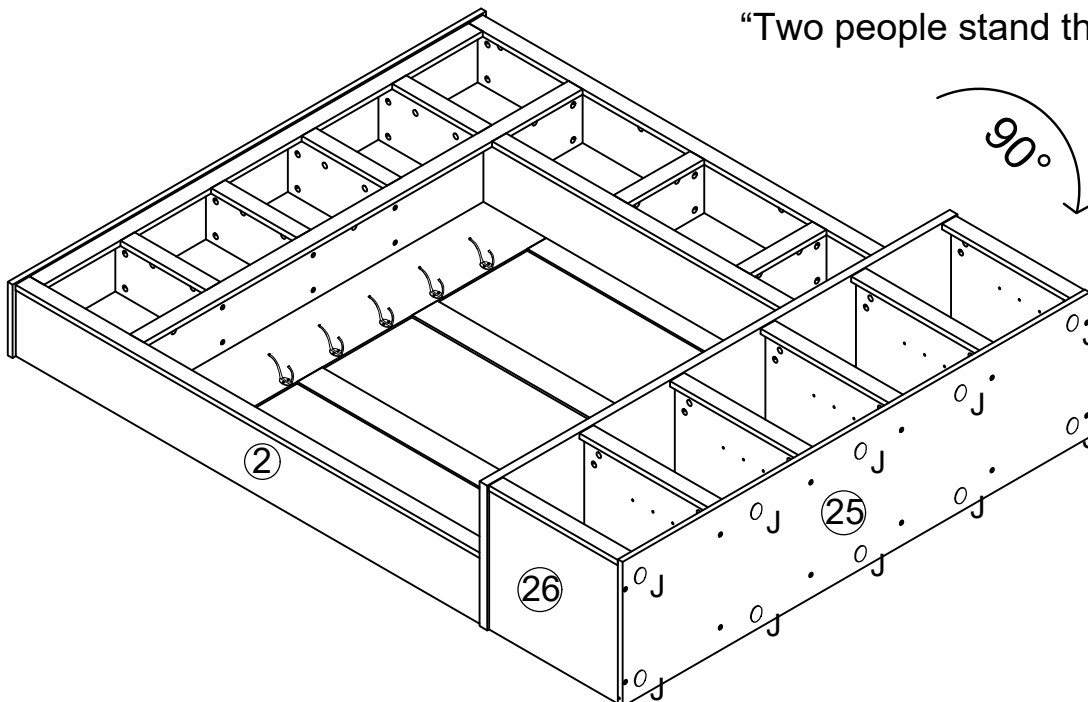


7*50mm Screw x 12

Step 28

“Please have two people work together.”

“Two people stand the cabinet up.”



(J)

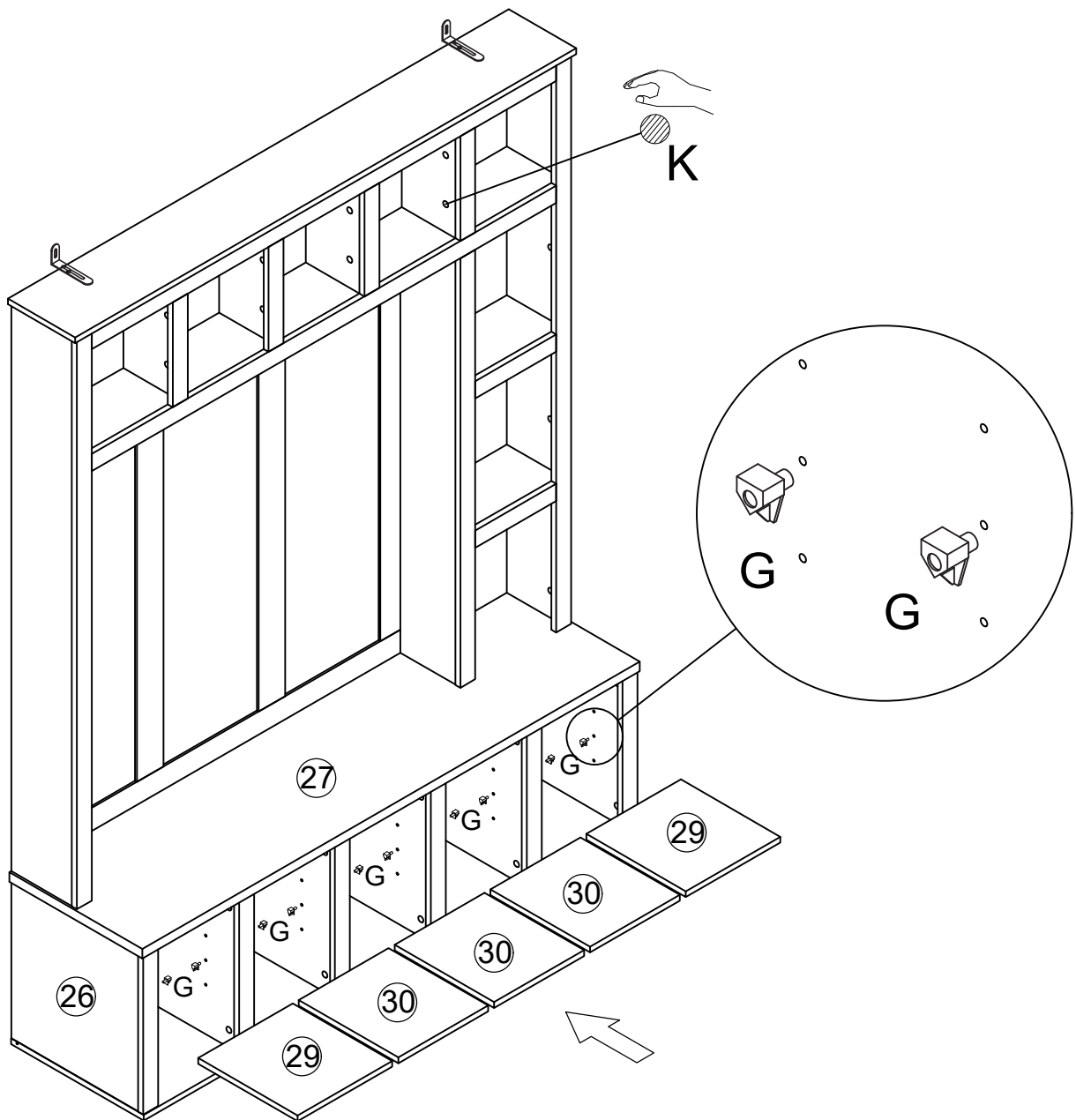


Felt mat X 10

Assembly Instructions

Step 29

In order to make the product more beautiful, please choose to paste L on the exposed holes.



(G)



Movable partition bracket x 20

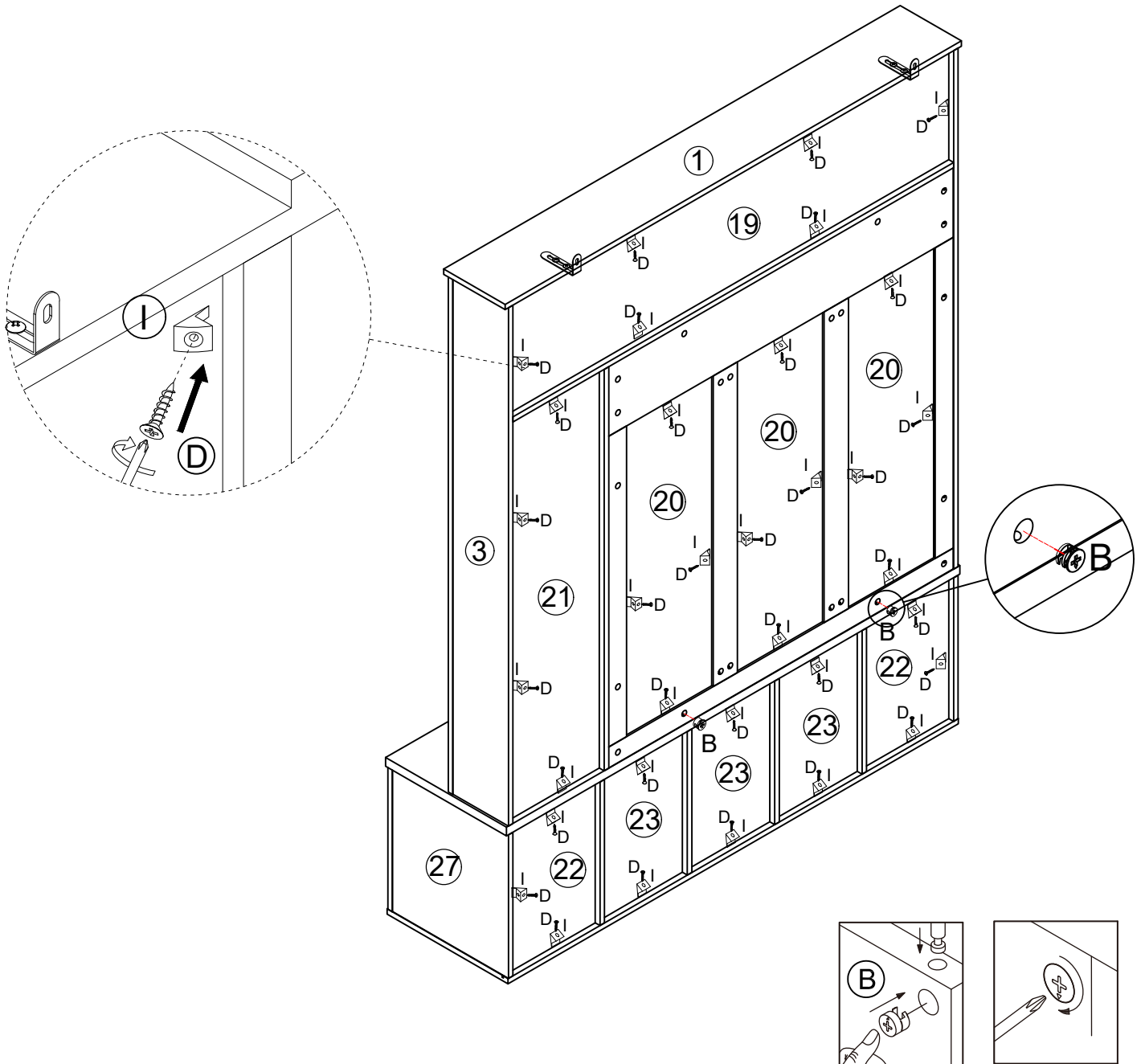
(K)



Sticker Cover x 64

Assembly Instructions

Step 30



(B)



Cam lock x 2

(I)



Plastic buckle x 34

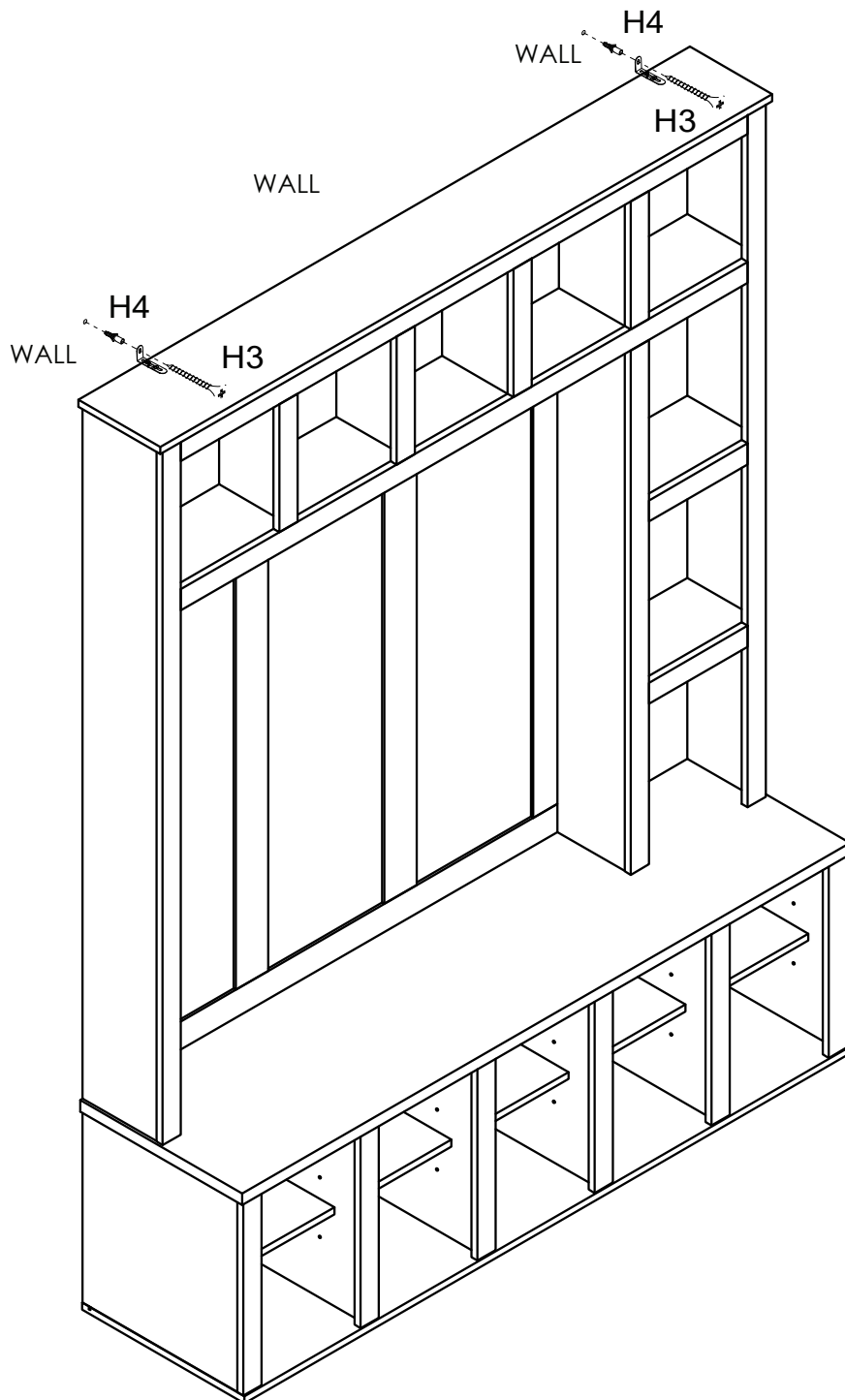
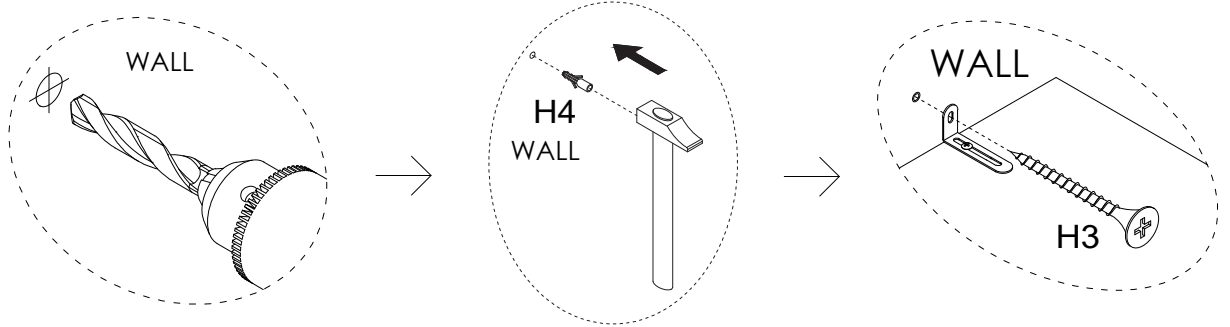
(D)



3*16mm Screw x 34

Assembly Instructions

Step 31



(H)



H4 H3

x2

Assembly Instructions

Step 32

