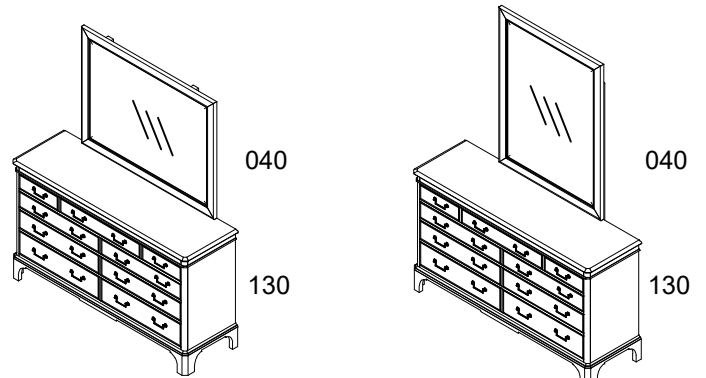


ASSEMBLY INSTRUCTIONS

426 -130/040



TOOLS REQUIRED:

Allen Key (supplied, part # D)

BEFORE YOU START:

1. Check the parts against the parts list to make sure all items are present.
2. Assemble your furniture on a soft, flat surface to avoid scratching the finish.
3. **CAUTION:** Do not over tighten screws, nuts or bolts during assembly.
4. Your furniture may Do not over tighten screws occasional tightening.

INSTRUCTIONS:

1. Lay the mirror face down on a clean soft surface. Attach Mirror support to the back of Mirror. Make sure two pre-drilled holes on the Mirror support rail align with insert nuts on the back of Mirror. (See Figure 1).

Loosely tighten Mirror support with Flat washer (C), Lock Washer (B), Bolt (A) with Allen Key (D).

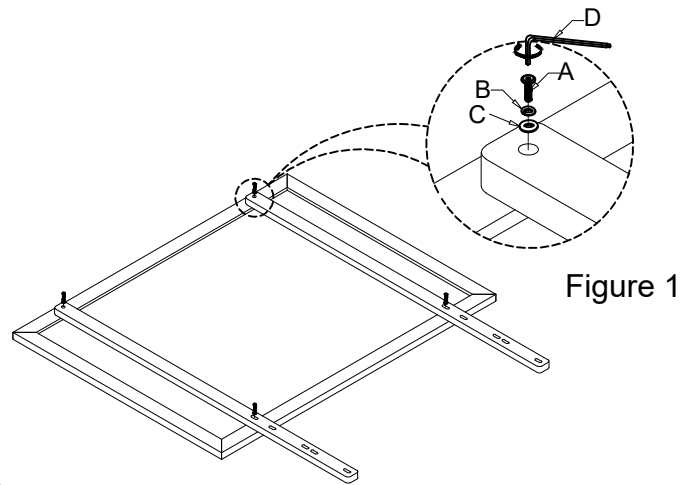


Figure 1

2. Place the Mirror with two supports on the top of Dresser. Make sure pre-drilled holes on the bottom of Mirror support rail align with insert nuts at the back of case. (See Figure 2).

Secure Mirror support rail with Flat Washer (C), Lock Washer (B) and Bolt (A). Tighten all bolts with Allen Key (D).

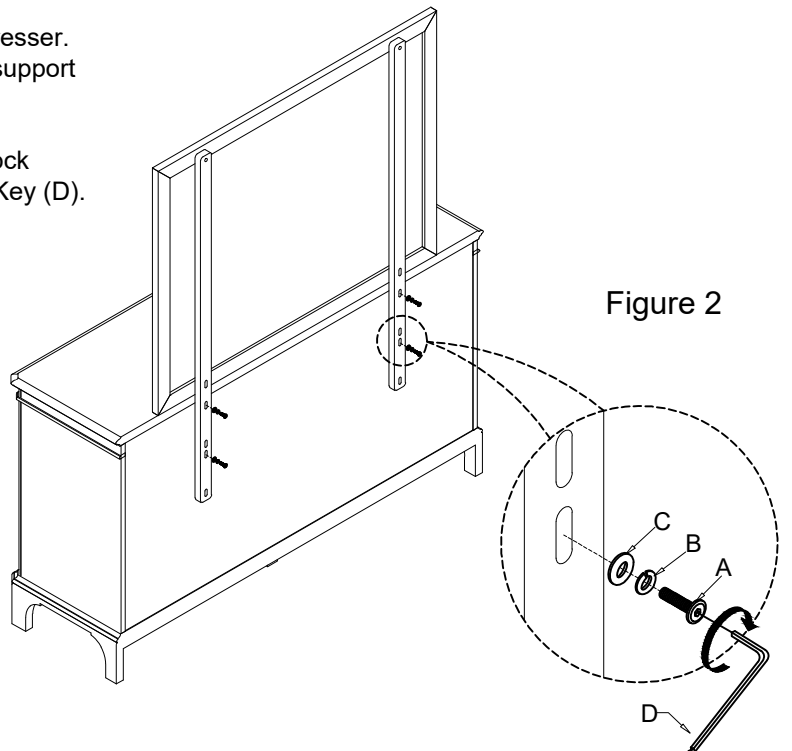


Figure 2

No.	Hardware List	Q'ty
A	 Bolt Ø5/16 x L1-1/2"	8
B	 Lock Washer Ø5/16"	8
C	 Flat Washer Ø5/16"	8
D	 Allen Key 4mm	1