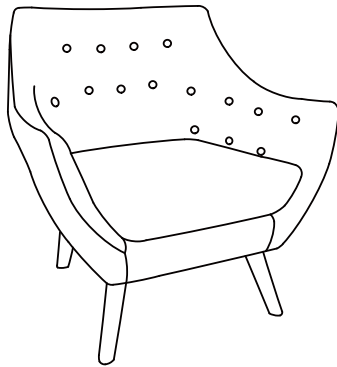


CHAIR






Thank you for purchasing the CHAIR

Before you start, here is some helpful advice:

1. We suggest you spend a short time reading through this leaflet and then follow the simple step by step instructions.
2. Owing to the size and weight of the chair, we recommend that it is assembled by two adults, on a carpeted or padded area, in the room that it is intended for. Approximate assembly time: 30 minutes.
3. Please do not use any tools other than those provided or recommended in these instructions.
4. Please do not throw away any of the packaging or instructions until you have checked all the components and hardware and the furniture is fully assembled.
5. Assemble all components loosely until advised to tighten. Depending on use, it may be necessary to tighten the components from time to time, so please save the tools that have been provided.
6. Please keep all pieces out of reach of children.

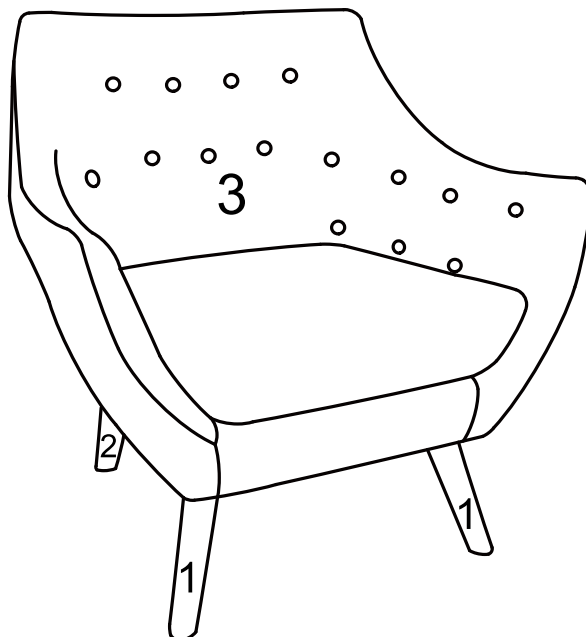


Hardware:

A		Bolt M8×100mm	×8
B		Spring Washer M8	×8
C		Flat Washer M8	×8
D		Allen Wrench	× 1
E		Adjustable Glide	×2

(Remarks: 2 pcs for backup use only)

Component:



1 Front Legs ×2

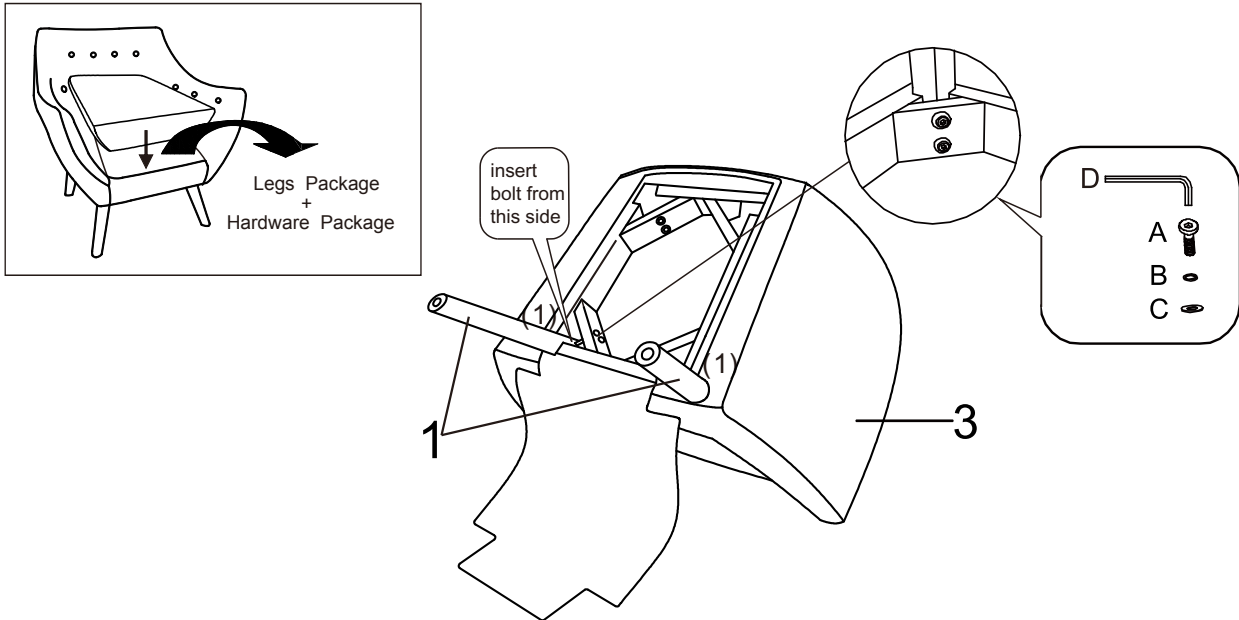
2 Back Legs ×2

3 Chair Body ×1

CHAIR

STEP1: Please take the seat off the **Chair Body (3)** and take the legs and hardware from package on the bottom of Chair seat cushion. There are numbers shown on legs and each corner of the bottom of **Chair body (3)**. Please match them correctly. Attention the label "Insert bolt from this side" on the legs and insert the legs at correct side.

Insert 1 piece of **Front Leg (1)** with 2 pieces of **Bolt (A)**, 2 pieces of **Spring Washer (B)**, and 2 pieces of **Flat Washer (C)** into the bottom of **Chair Body (3)** as shown. Repeat the same steps for other **Front Leg (1)**. Do not fully tighten **Bolts (A)** for either leg.

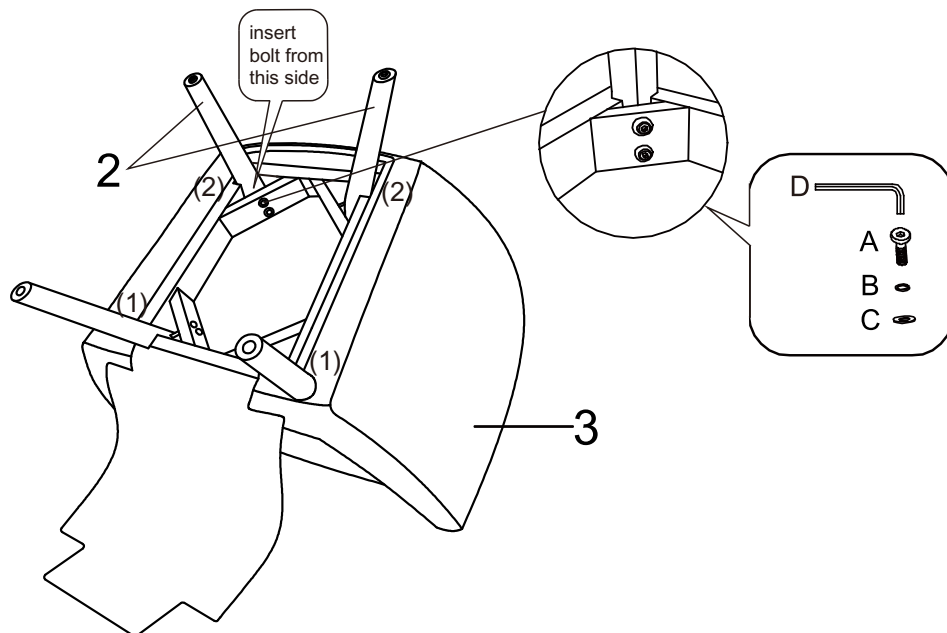


A×4	B×4	C×4	D×1

Hardware & Tool required

STEP2: Insert 1 piece of **Back Leg (2)** with 2 pieces of **Bolt (A)**, 2 pieces of **Spring Washer (B)**, and 2 pieces of **Flat Washer (C)** into the bottom of **Chair Body (3)** as shown.

Repeat the same steps for other **Back Leg (2)**. Do not fully tighten **Bolts (A)** for either leg.

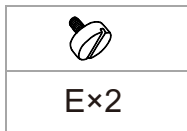
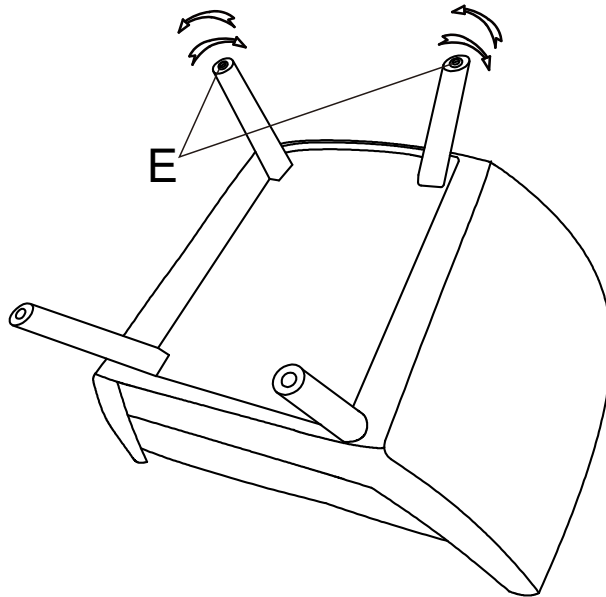


A×4	B×4	C×4	D×1

Hardware & Tool required

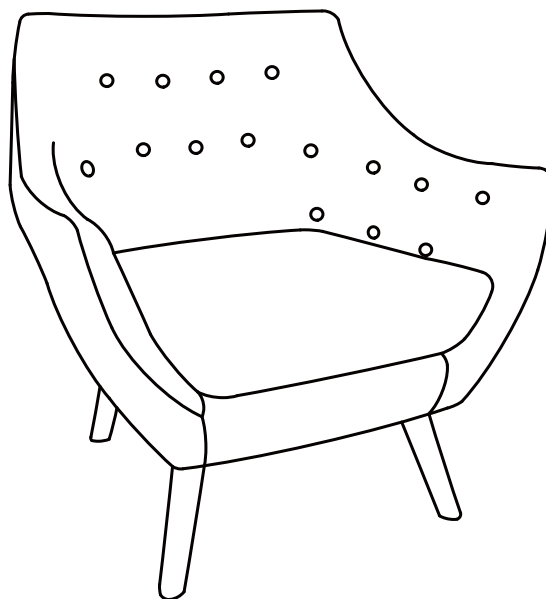
CHAIR

STEP3: Please adjust the **Adjustable Glide (E)** on the bottom of the **Back Legs (2)** and balance the chair for uneven floor.



Hardware & Tool required

STEP4: Fully tighten all Bolts (A) with Allen Wrench (D).
Recover the Velcro on the bottom of Chair **Body** (3). Carefully turn over the chair .



Assembly is completed. The chair is ready to use now!

Hardware & Tool required