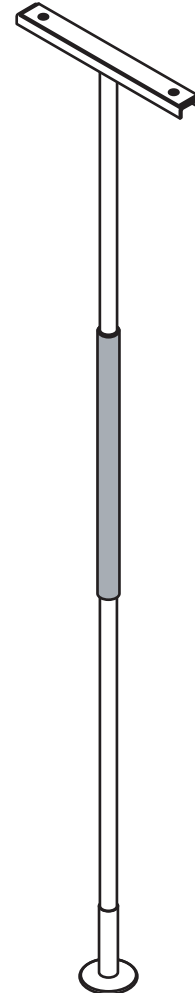


Technical Data Sheet

Product Specification

The support pole shall be installed using a tension fit with non marking rubber pads on the ceiling plate and base plate. The support pole shall be constructed of 1.5" tubing. The product shall have an anti-microbial white gloss powder coat finish. The product shall have a weight capacity of 300 lbs/136 kg if using the standard model or 450 lbs/205 kg for the bariatric model. The support pole shall be HealthCraft Products model SP-____ (see table below for appropriate product code).

Complies with ASTM F3186-24 - Standard Specification for Adult Portable Bed Rails and Related Products.



Key Features

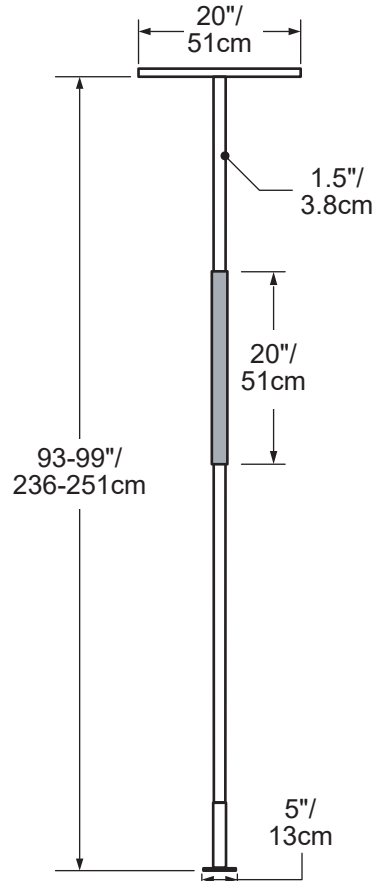
- Tension Fit
- Anti-Microbial Powder Coat Finish
- No Damage Installation

Specified Model

Model	Weight Capacity	Ceiling Height	Material
SP-S	300 lbs / 136 kg	93-99" / 236-251cm	Steel
SP-HD	450 lbs / 205 kg	93-99" / 236-251cm	
SP-CUT	N/A	<93" / 236cm	

Technical Data Sheet

Product Dimensions



Shipping Dimensions

Part	Height (H)	Width (W)	Depth (D)	Length (L)	Diameter (Ø)	Weight
Pole (-S)	N/A	N/A	N/A	96" / 243.8cm	2.5" / 6.35cm	13lbs / 5.9kg
Pole (-HD)	N/A	N/A	N/A	96" / 243.8cm	2.5" / 6.35cm	14lbs / 6.4kg
Parts Box	3" / 7.6cm	6" / 15.24cm	21" / 53.3cm	N/A	N/A	4.7lbs / 2.11kg

