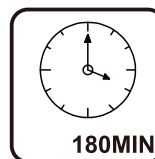
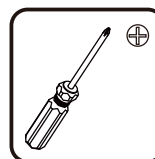
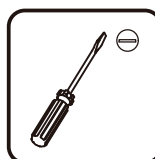
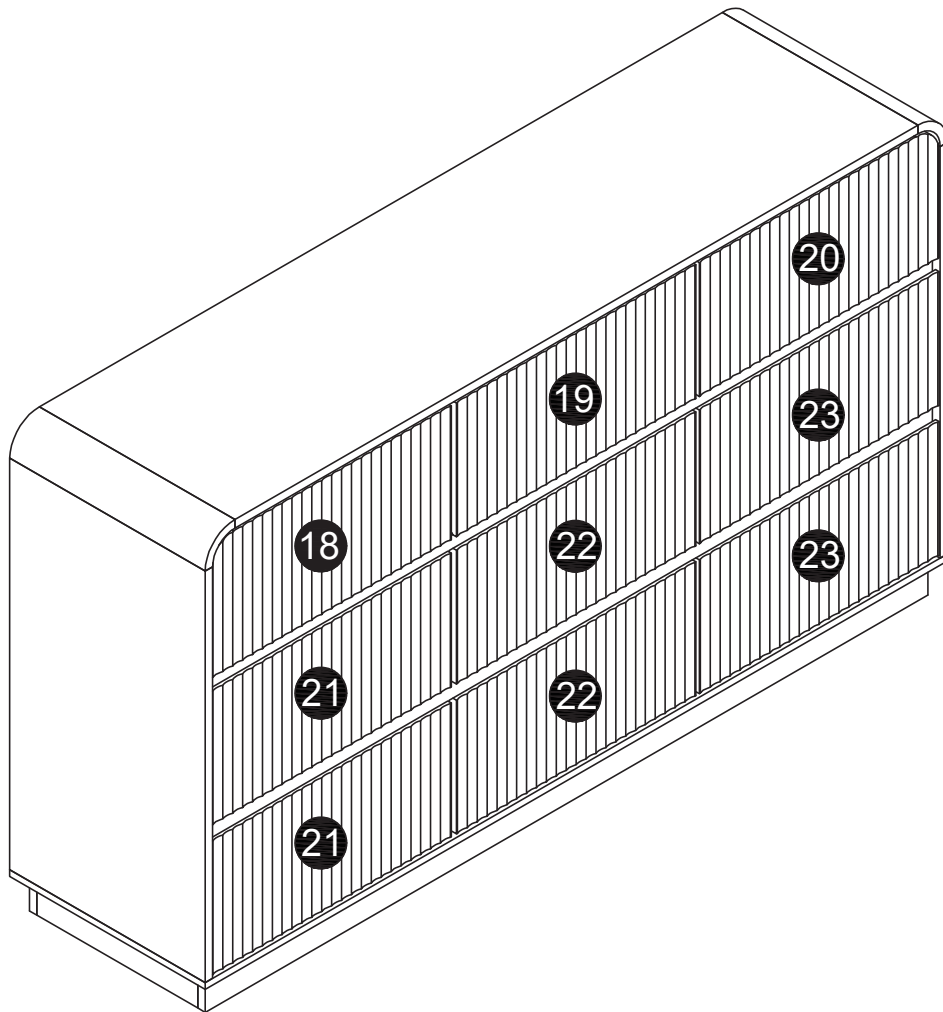


Installation & Assembly



EN_IMPORTANT, RETAIN FOR FUTURE REFERENCE: READ CAREFULLY.

. THANK YOU FOR PURCHASE! .

FREE REPLACEMENT PARTS AVAILABLE!



---NEED HELP WITH YOUR FURNITURE?---

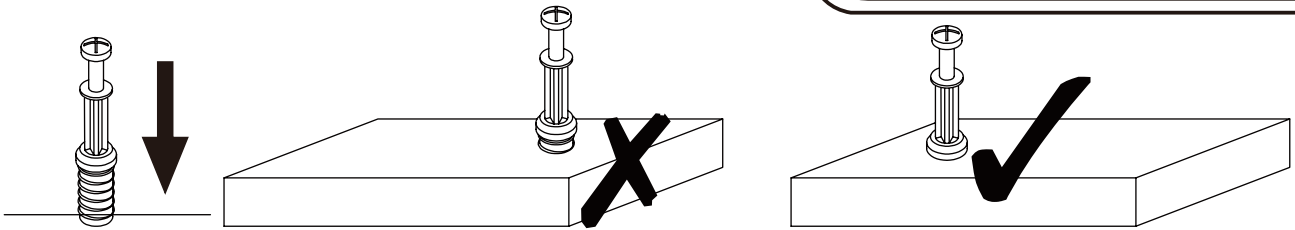
If you're experiencing any issues—whether due to shipping, assembly, or any other reason
—we're here to help.

For any damaged or missing components, we're happy to provide FREE replacement parts.

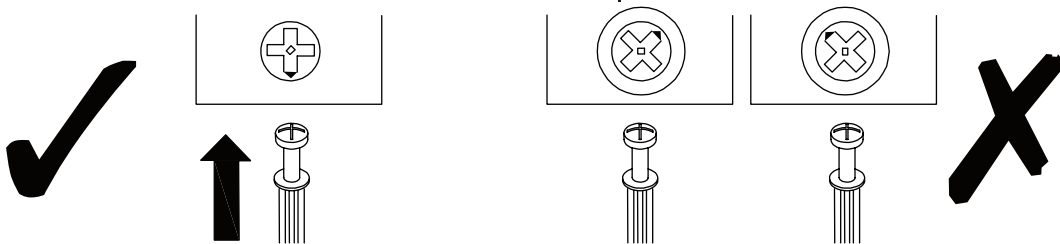
WANT TO CONTACT US

- ▶ Log in to your account.
- ▶ Go to “Your Orders” and locate your furniture order.
- ▶ Click on “Get Help with Order” to send us a message directly.

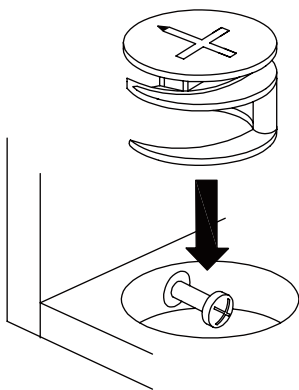
Our customer support team is ready to assist you and we will respond within
12-24 HOURS to resolve your concerns quickly!



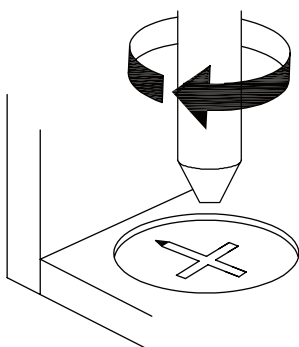
EN_QUICKFIT: Tighten quickfit until shoulder is flush with panel. Do not overtighten or undertighten.



EN_CAM LOCK: When fitting cam lock, ensure starting position is correct before you insert connecting quickfit.

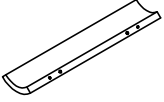
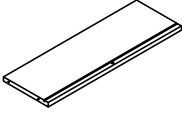

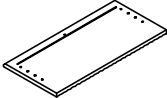
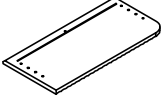
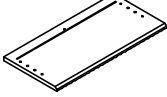
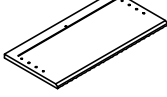




EN_Quickfit head should be in the centre of the cam lock when the two panels are joined.
Cam lock should be inserted before quickfit.

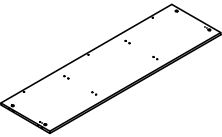
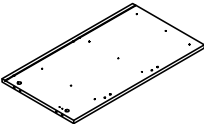
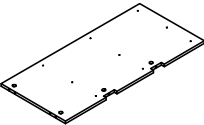
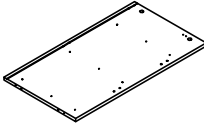
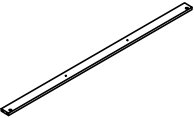

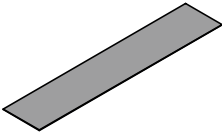
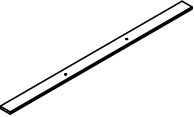
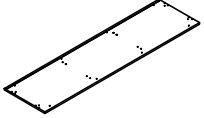
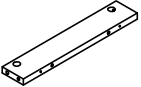


EN_Turn cam lock clockwise to tighten.

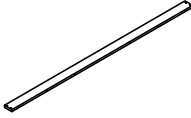
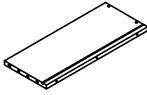
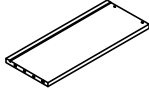
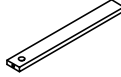
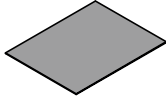
Carton A

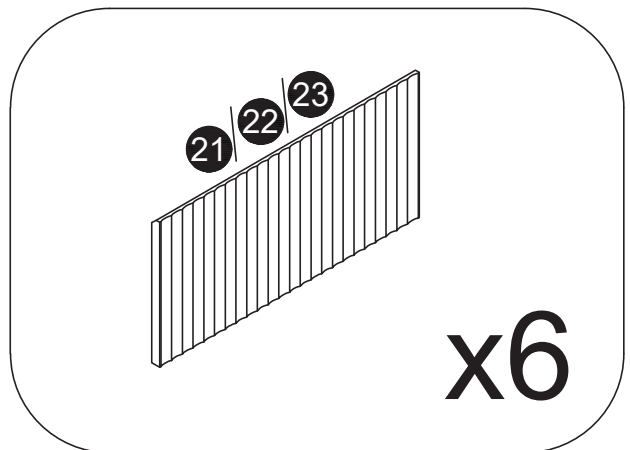
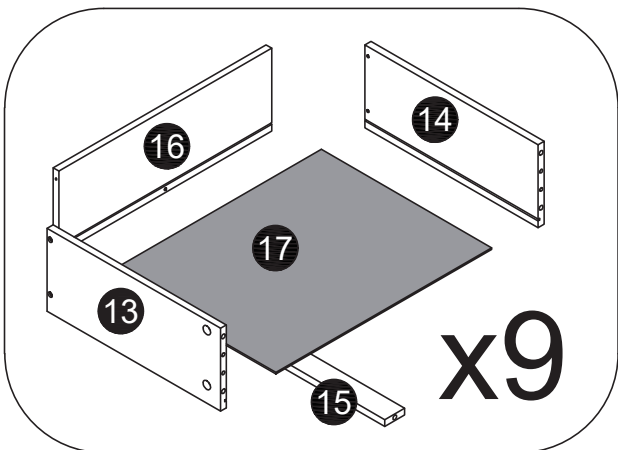
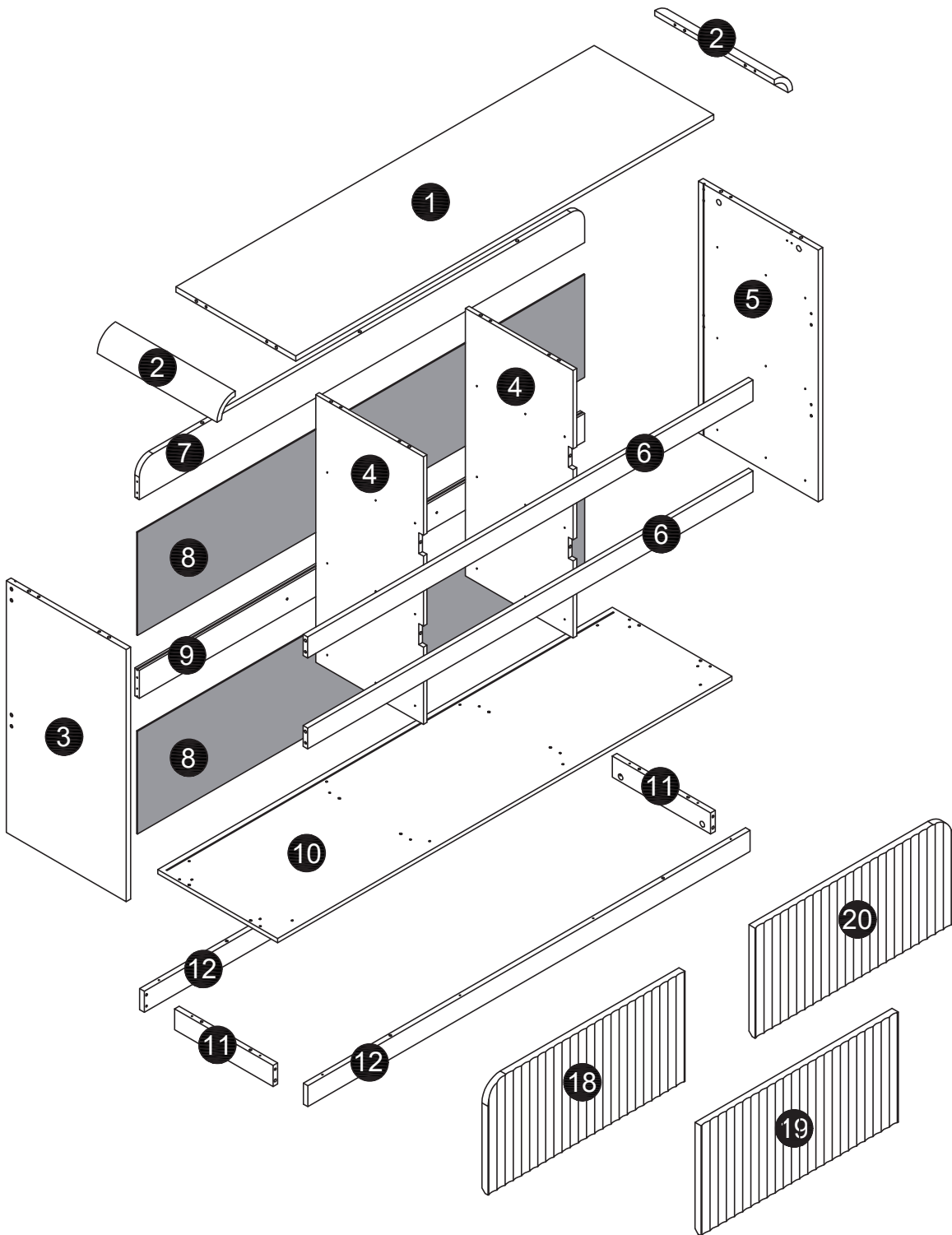
NO.	PARTS	QTY	SPARE
②		x2	
①⑥		x9	
①⑧		x1	
①⑨		x1	
②⑦		x1	
②①		x2	
②②		x2	
②③		x2	
	 Hardware Kit		












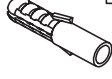






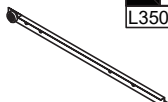
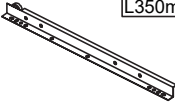
Carton B

NO.	PARTS	QTY	SPARE
①		x1	
③		x1	
④		x2	
⑤		x1	
⑥		x2	
⑦		x1	
⑧		x2	
⑨		x1	
⑩		x1	
⑪		x2	

Carton B

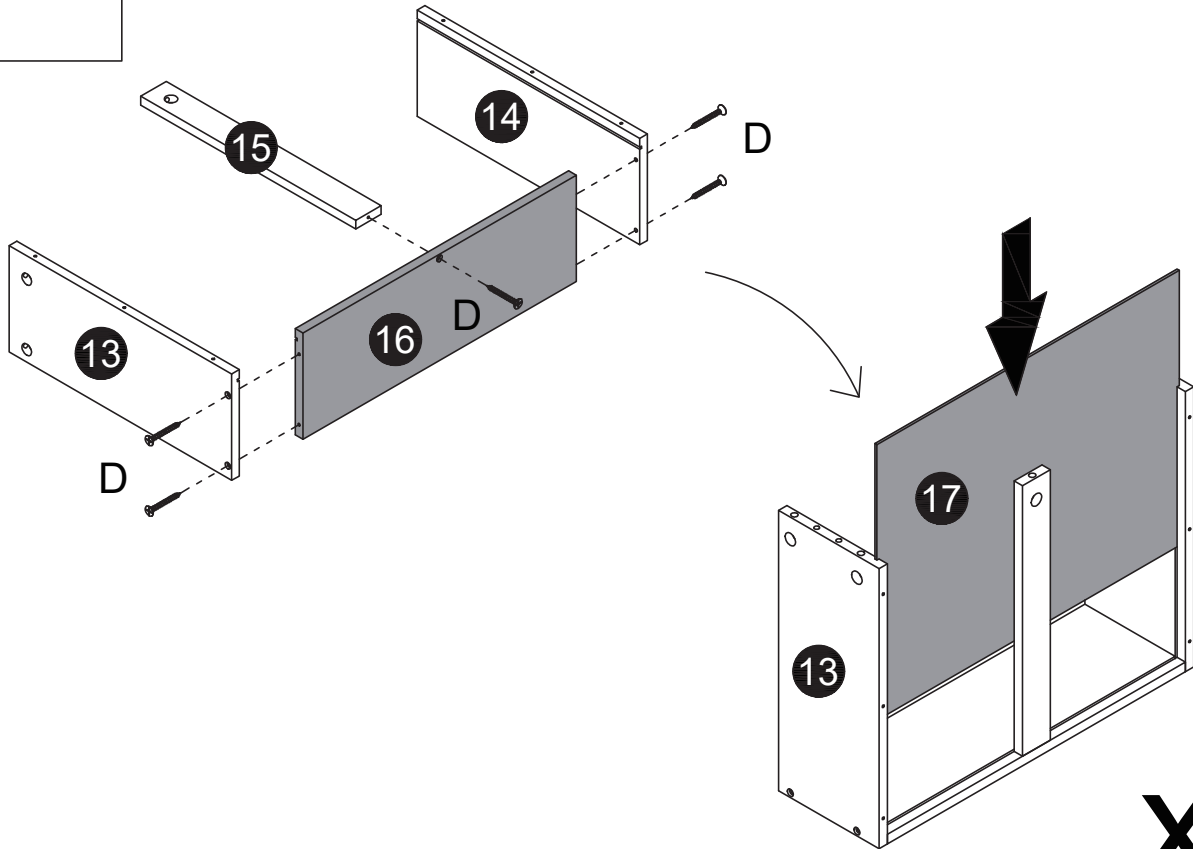
NO.	PARTS	QTY	SPARE
⑫		x2	
⑬		x9	
⑭		x9	
⑮		x9	
⑰		x9	



 <p>A x64 Ø6x35mm +3(spare)</p>	 <p>B x72 Ø15x10mm +3(spare)</p>	 <p>C x72 Ø6x30mm +5(spare)</p>	 <p>D x47 Ø4x35mm +4(spare)</p>	 <p>E x108 Ø3.5x12mm +5(spare)</p>	 <p>F x8 Ø6x40mm</p>
 <p>G x18 Ø5x40mm +1(spare)</p>	 <p>H x8 Ø15mm +2(spare)</p>	 <p>I x12 Ø4x30mm</p>	 <p>J x2</p>	 <p>K x8 Ø4x14mm</p>	 <p>L x2 Ø6x30mm</p>
 <p>M x10 Ø3x16mm +1(spare)</p> <p>M-1</p>  <p>M-2</p>	 <p>N-1</p>  <p>N-2</p>				
 <p>CL x9 L350mm</p>	 <p>CR x9 L350mm</p>	 <p>DL x9 L350mm</p>	 <p>DR x9 L350mm</p>		

01

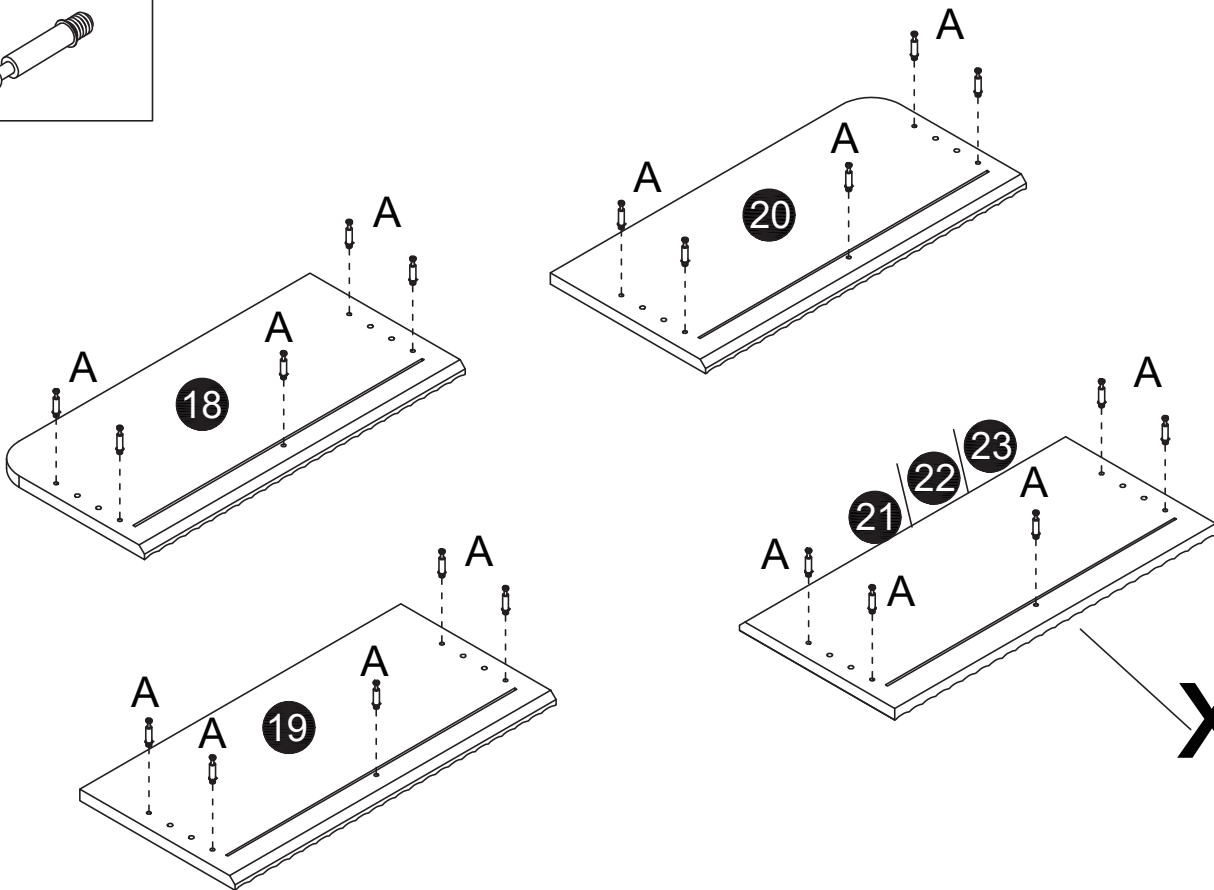
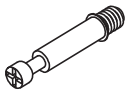
D x45



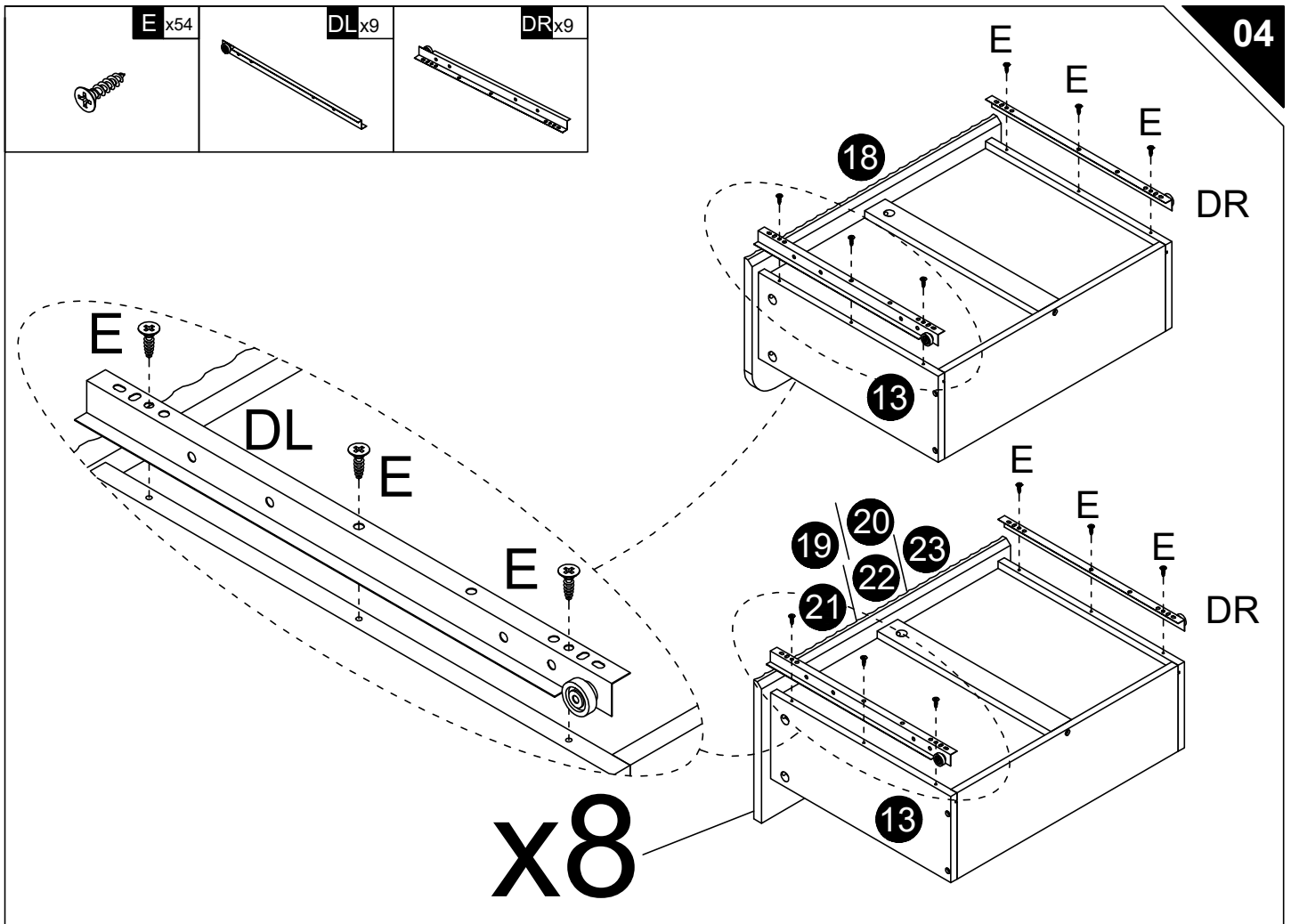
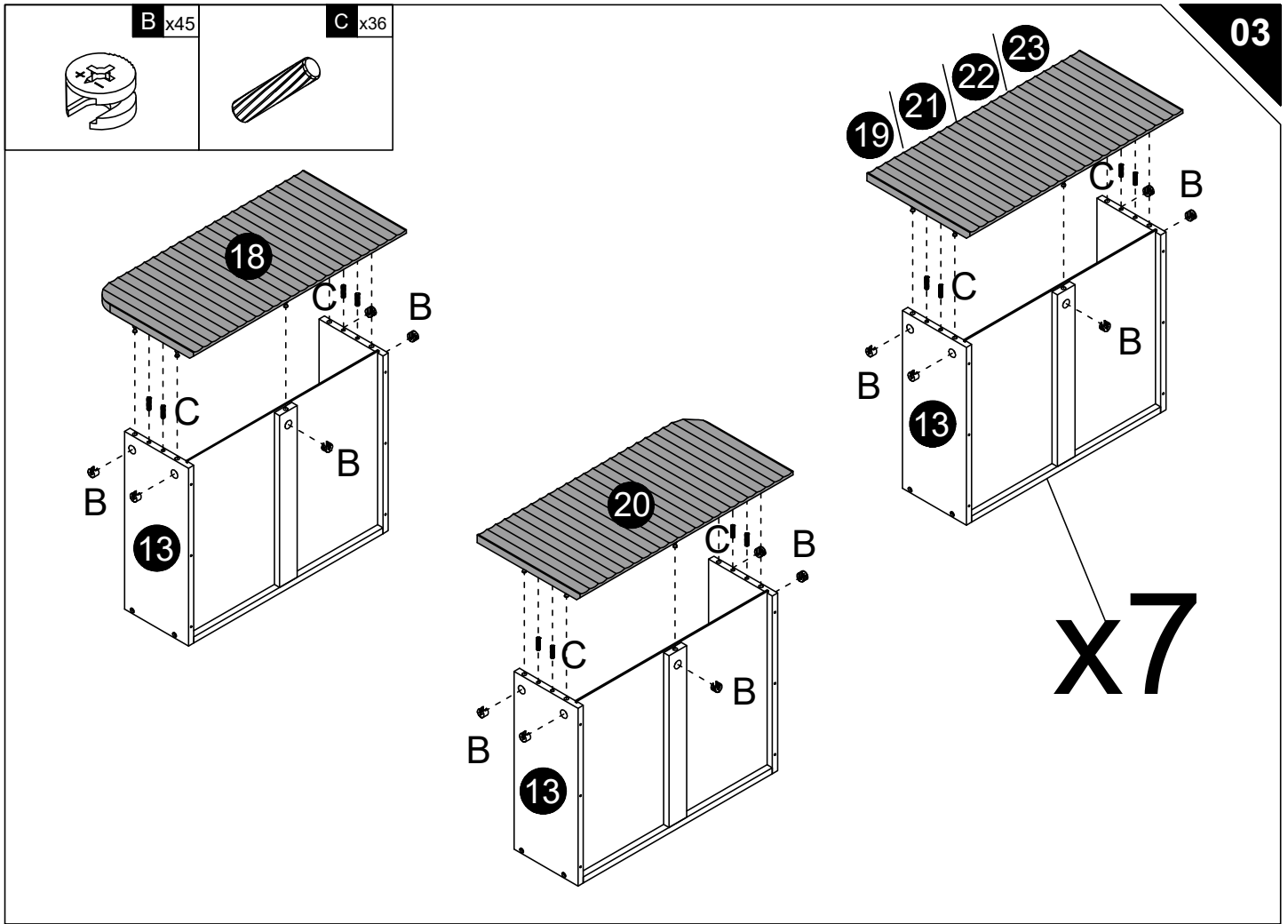
x9

02

A x45



x6

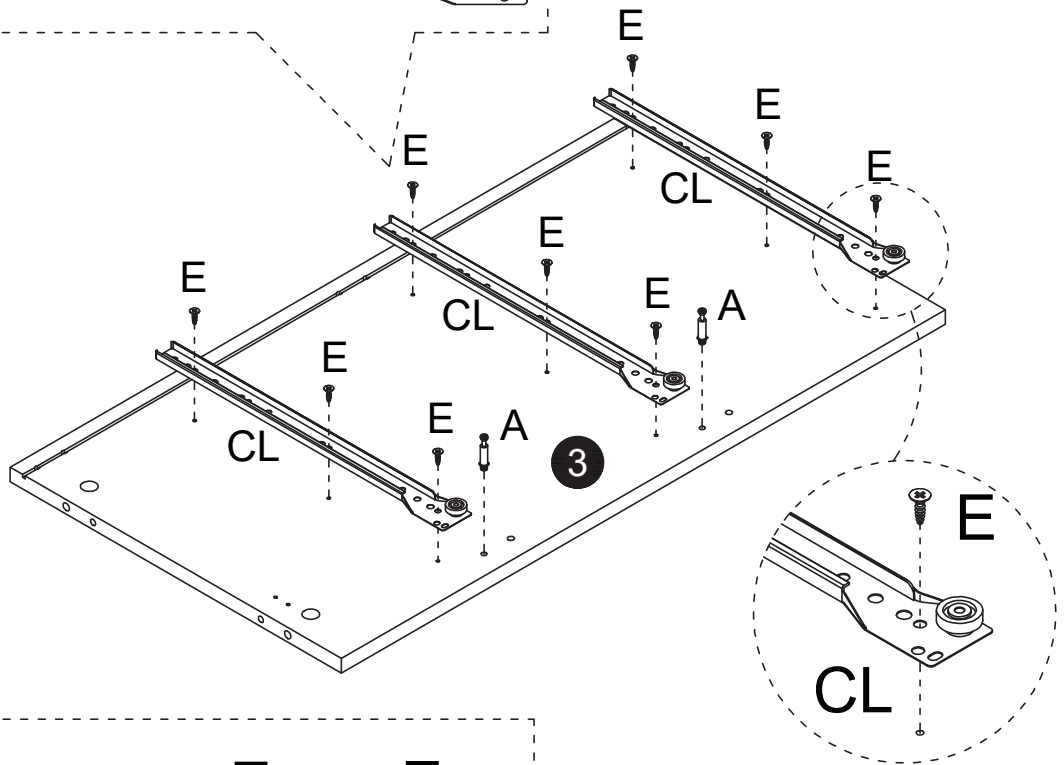
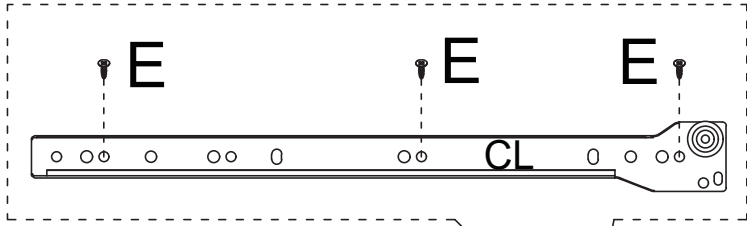
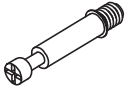


A x4

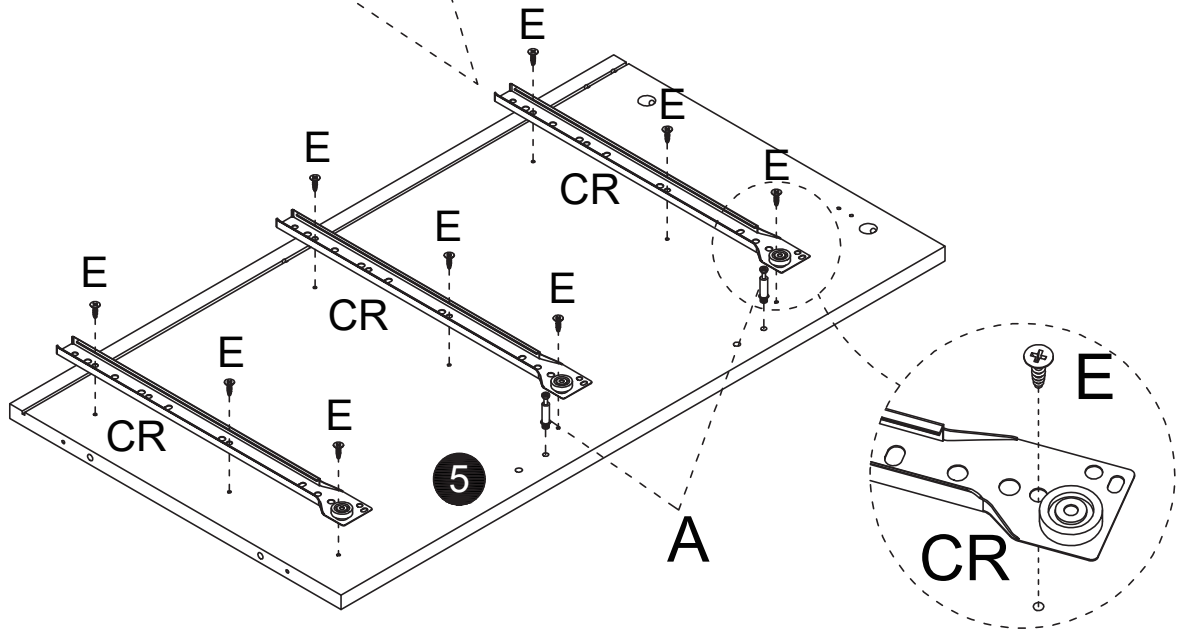
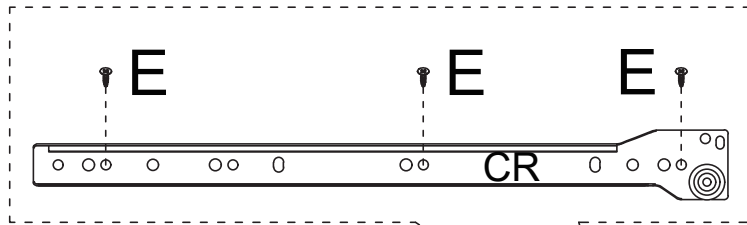
E x18

CL x3

CR x3



3

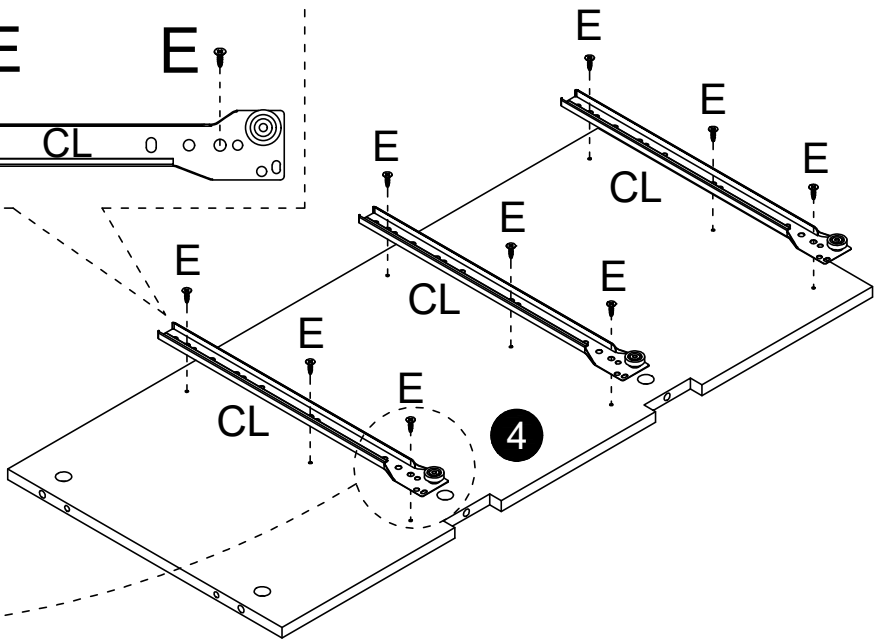
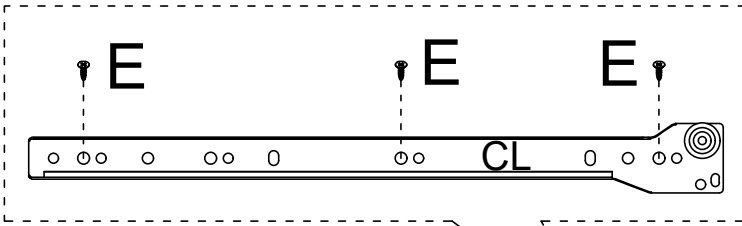
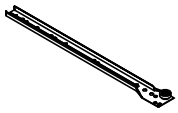


5

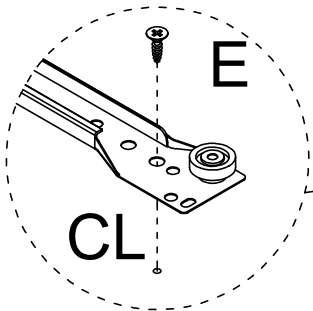
E x36

CL x6

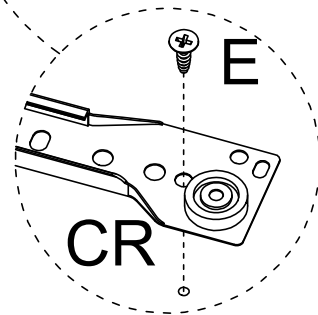
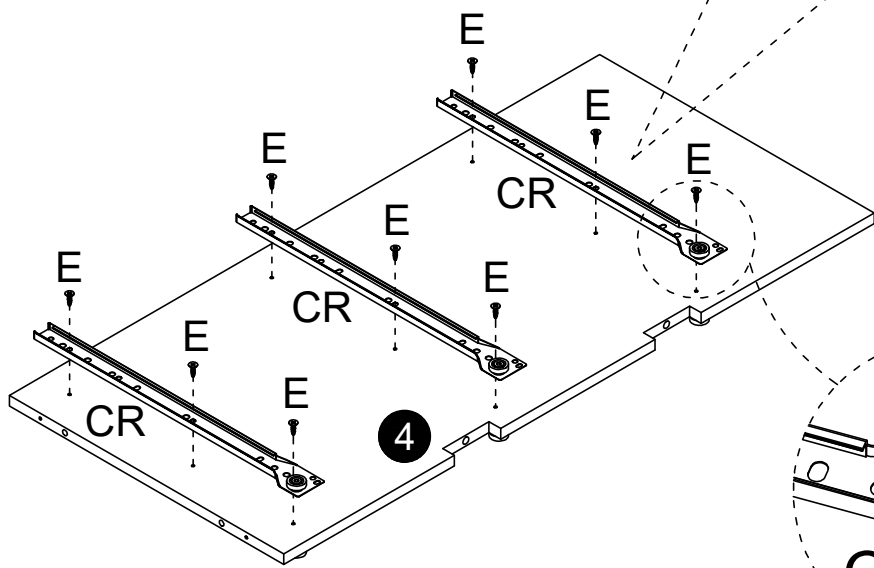
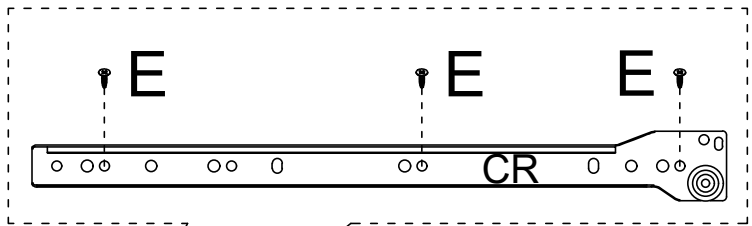
CR x6



Second hole

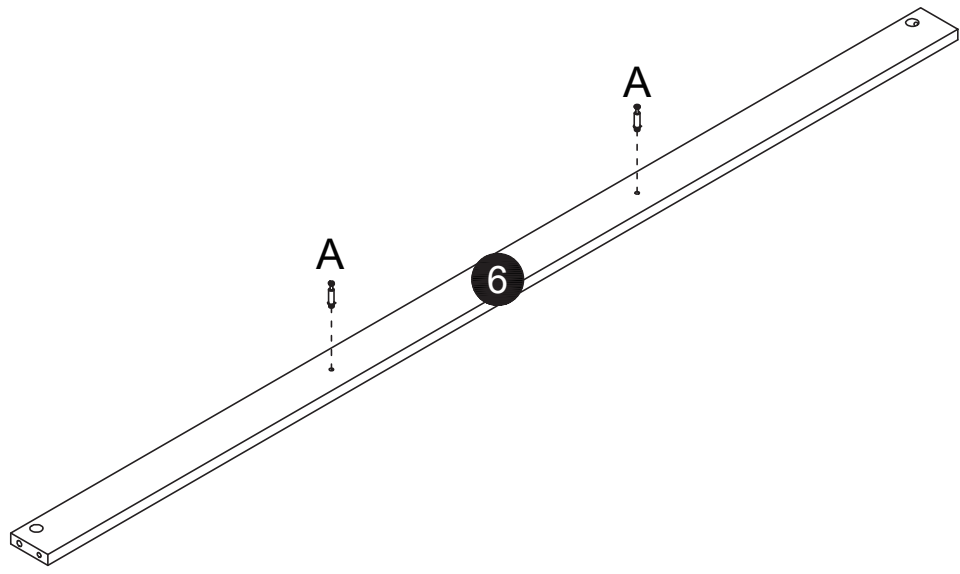
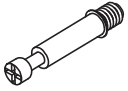


180°



x2

A x4

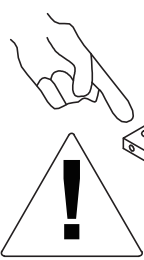
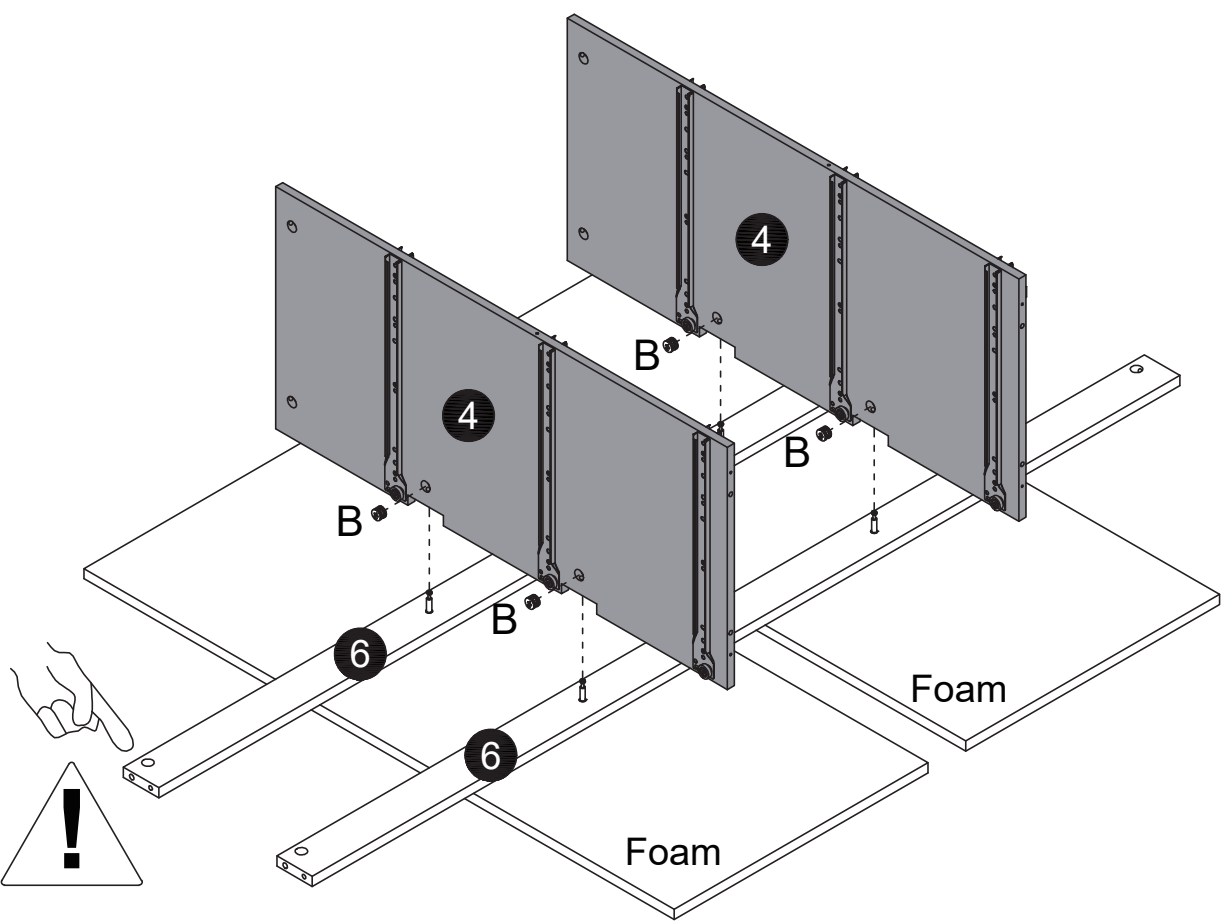


x2

B x4



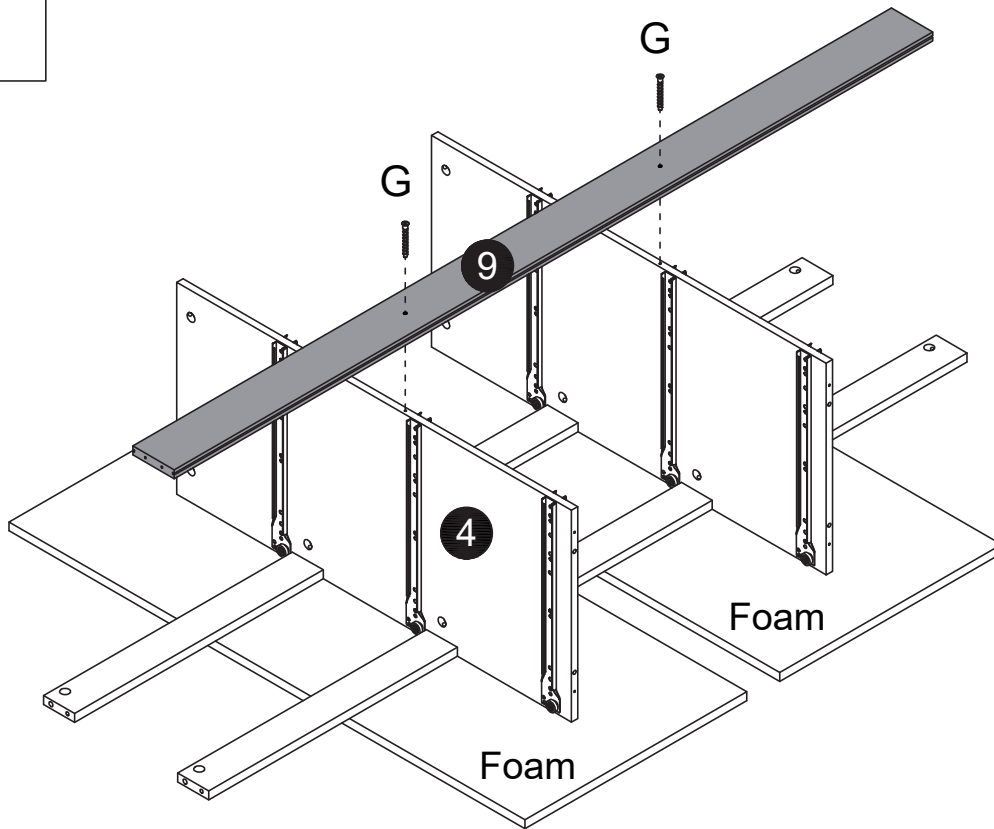
For easier installation, please pad two piece of foam under the product (take it from the packaging box).



G x2



09



B x2



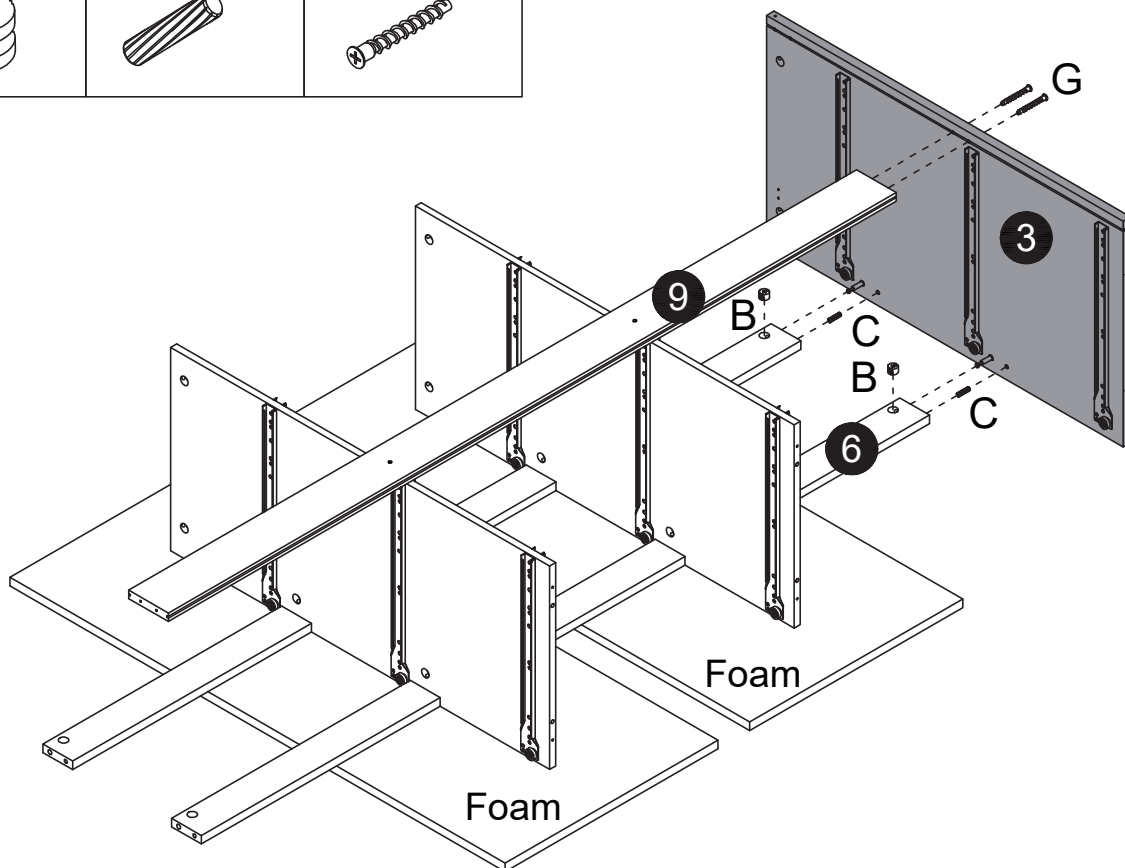
C x2

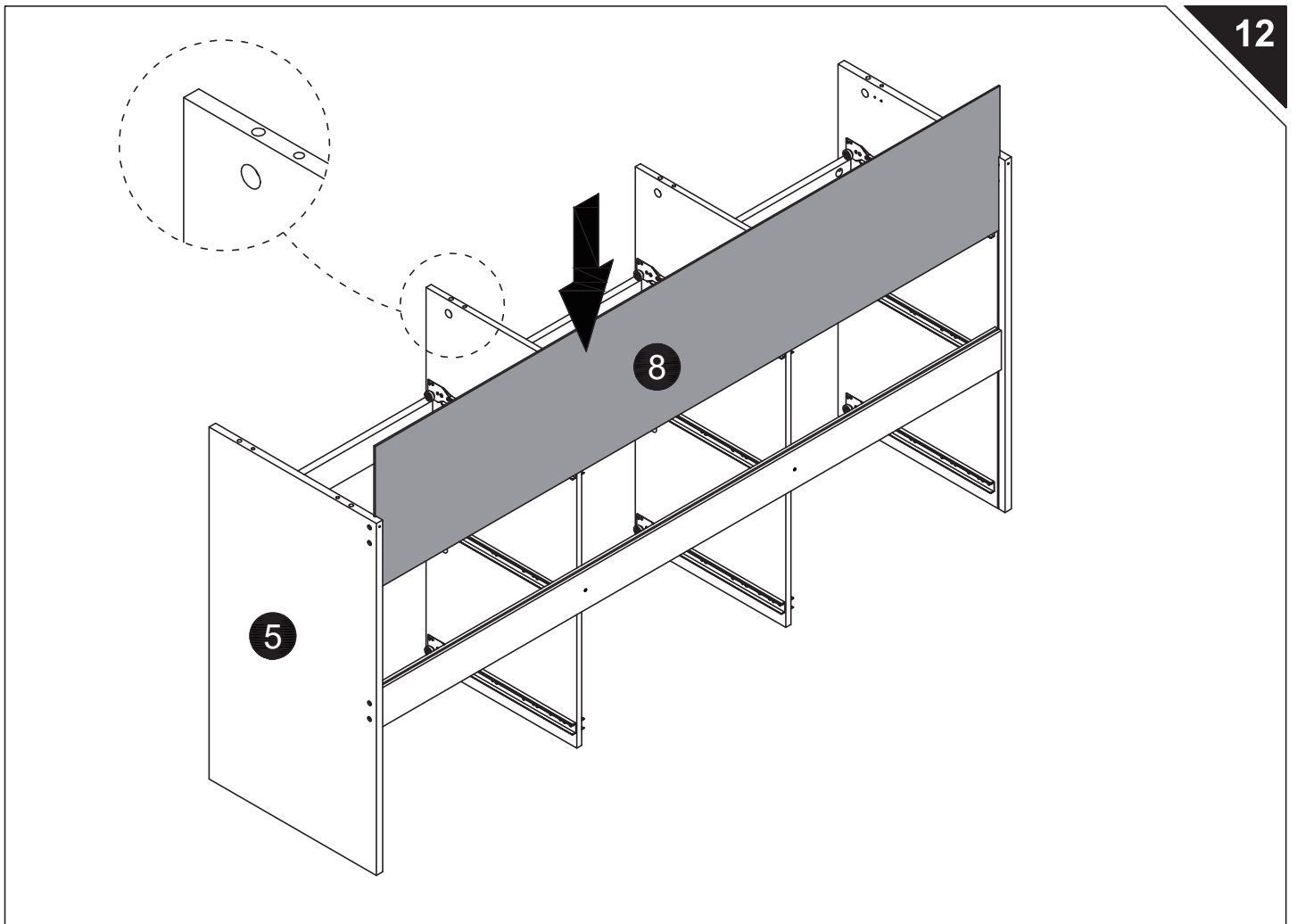
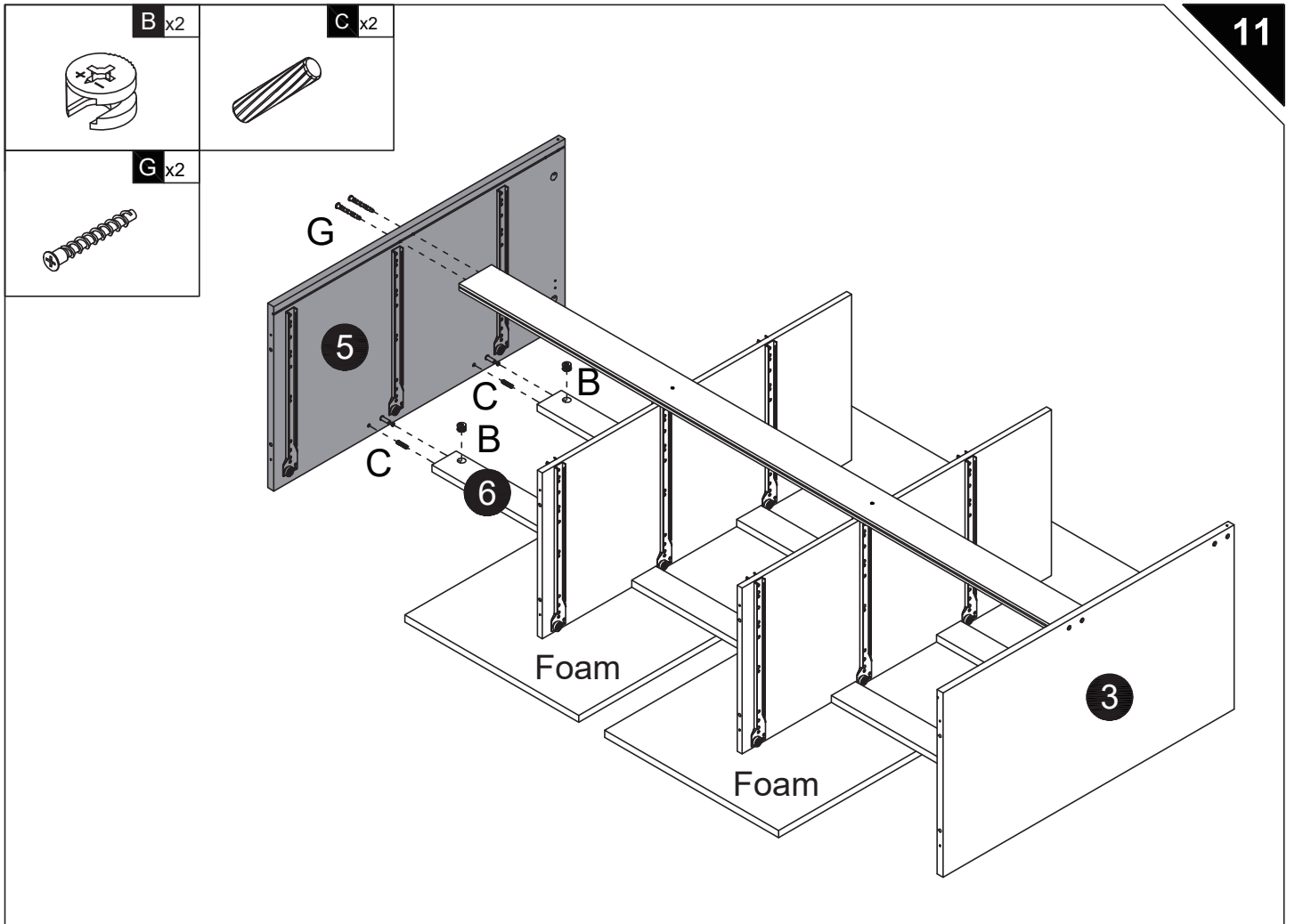


G x2

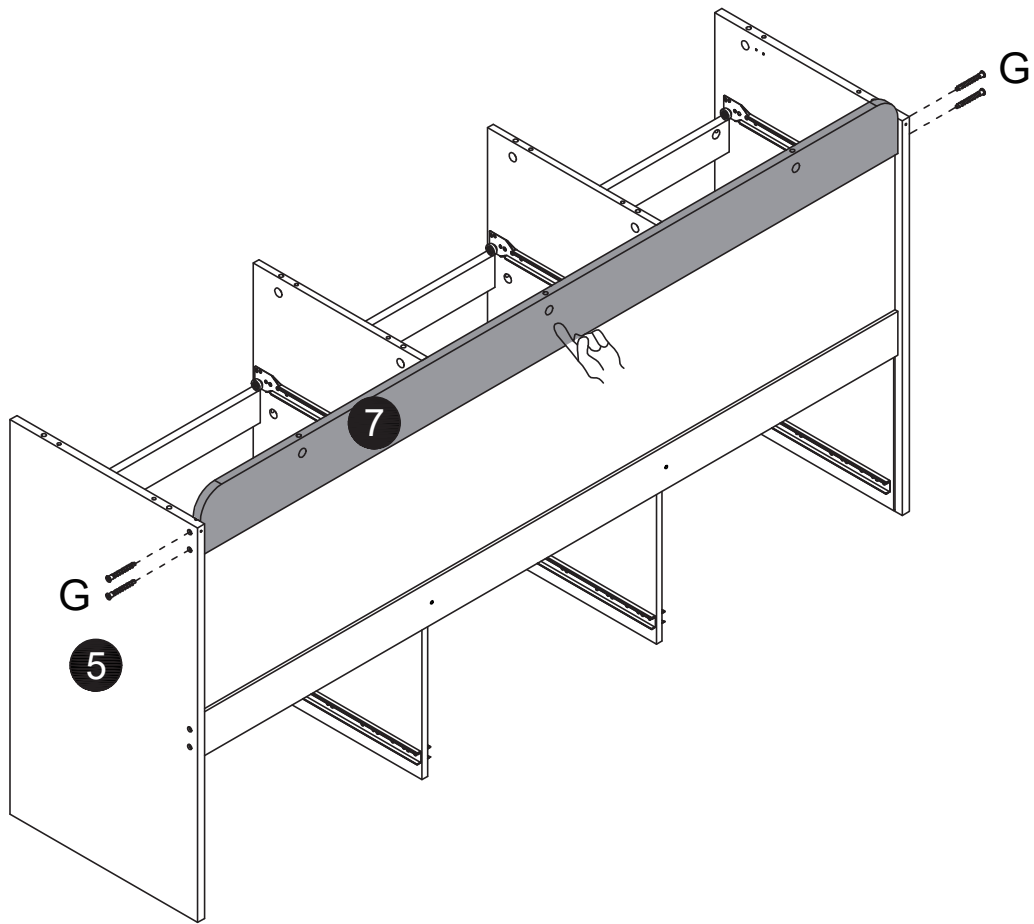


10

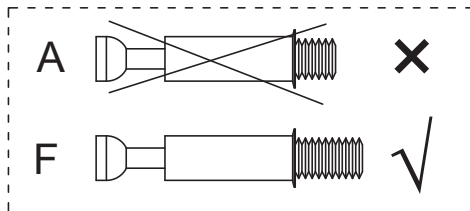




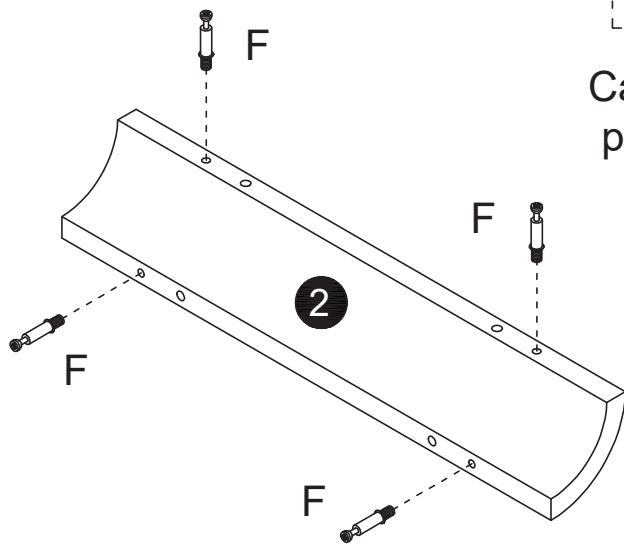
G x4



F x8



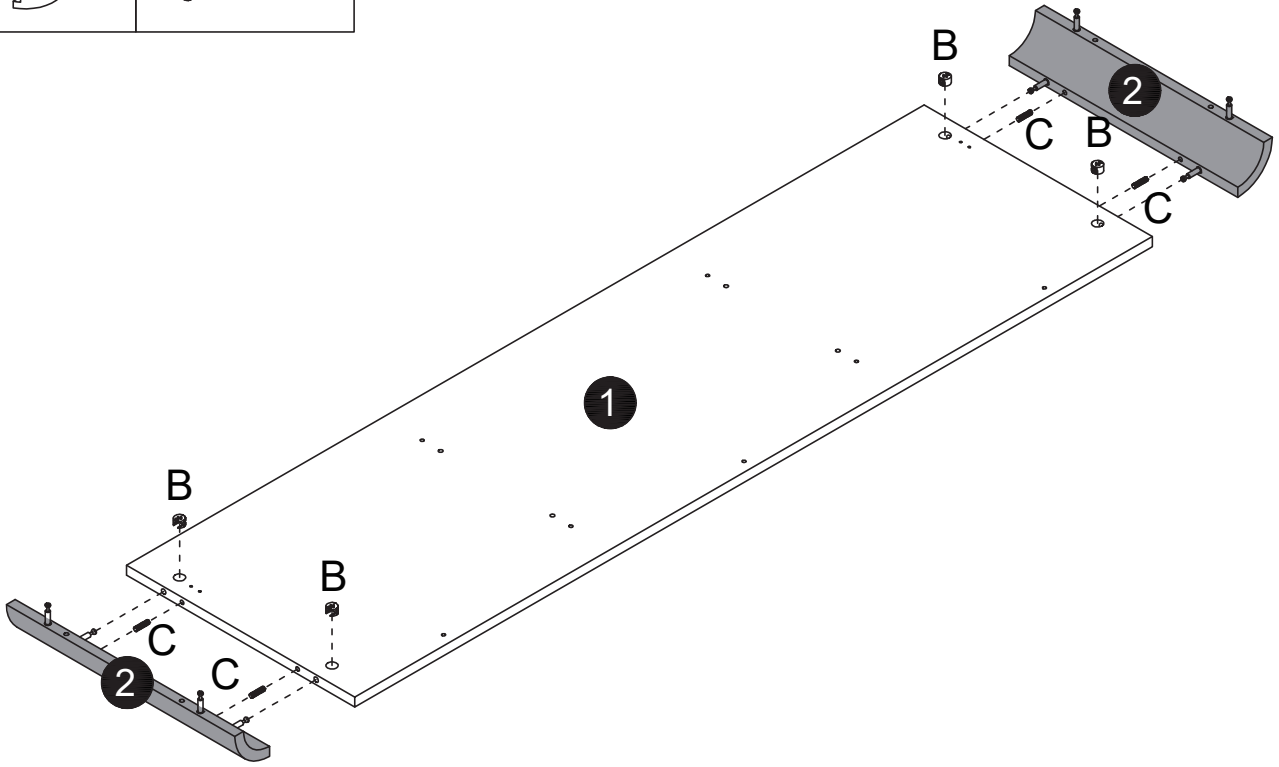
Caution : Need to use the correct part #F instead of part #A.



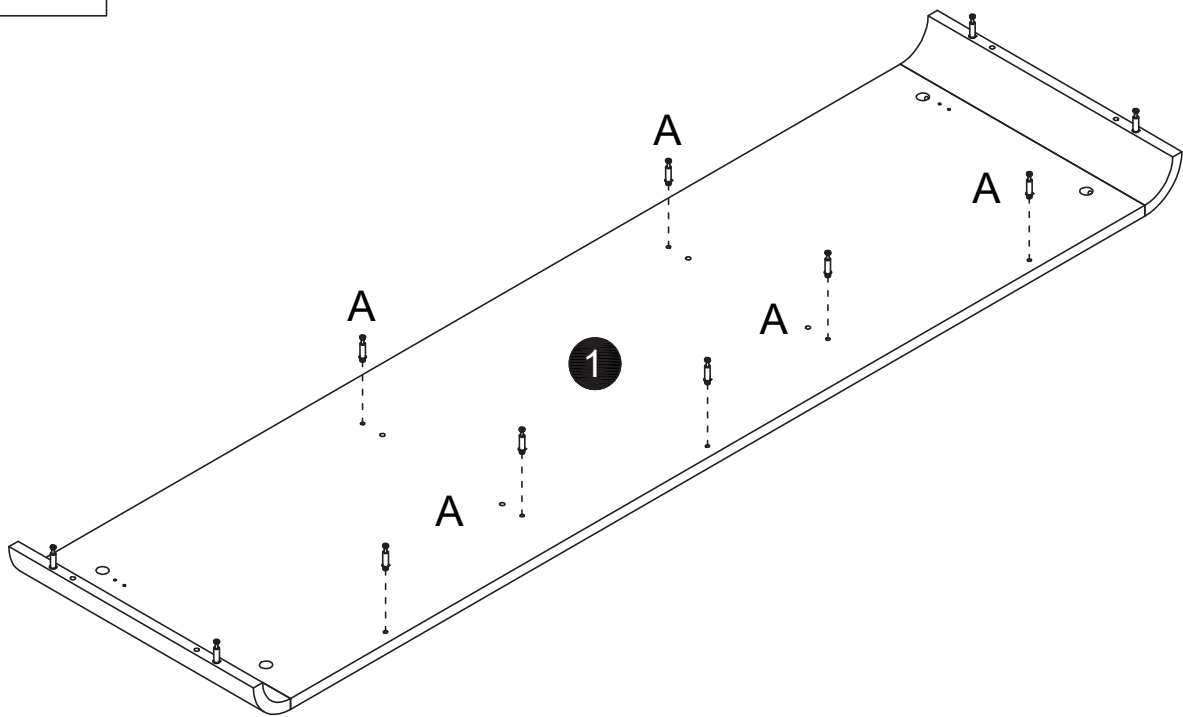
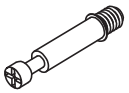
x2

B x4

C x4

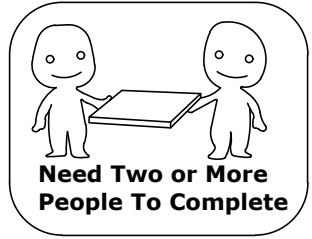
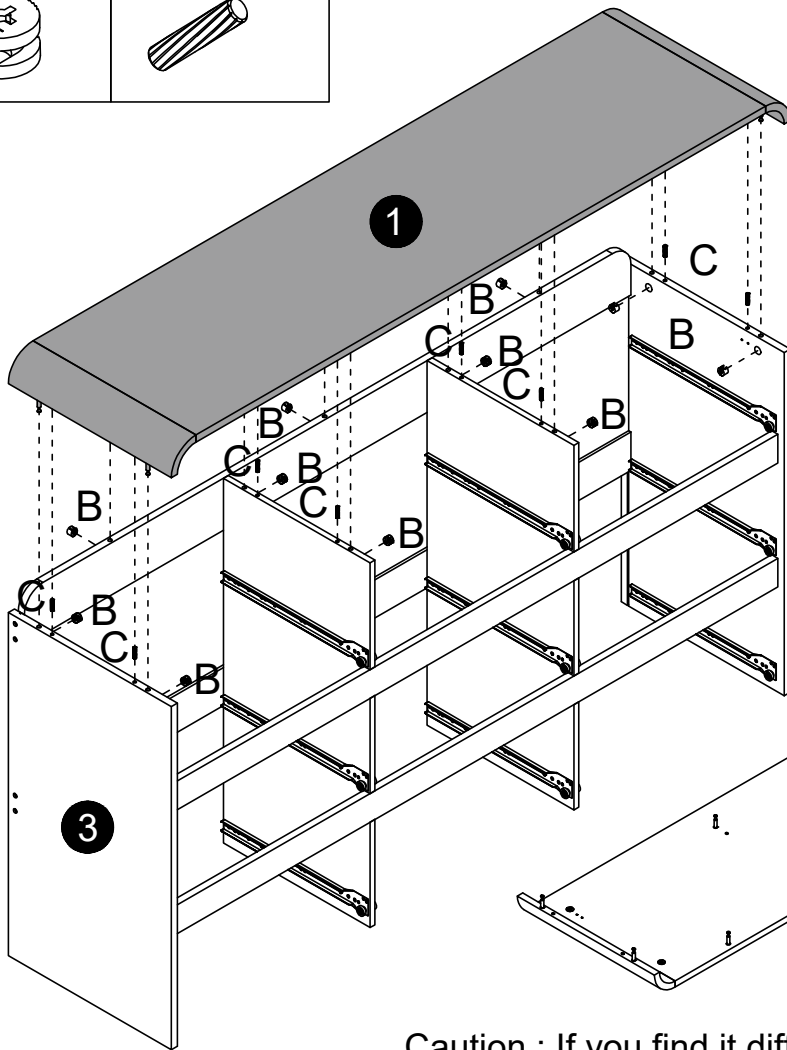


A x7

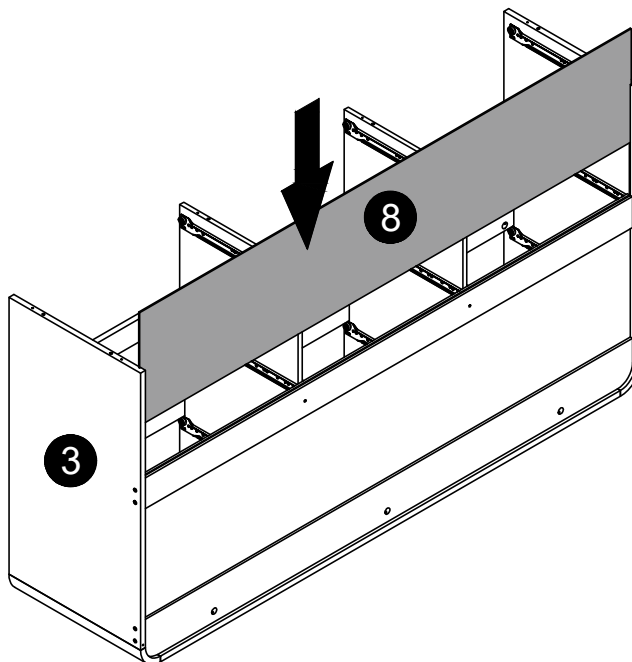


B x11

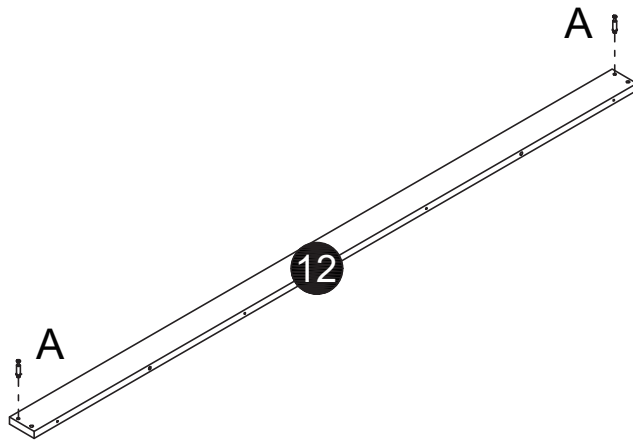
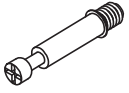
C x8



Caution : If you find it difficult to connect the No. 1 plate to the cabinet, you can loosen part B of the No. 1 plate first, and tighten it after the subsequent installation is completed.



A x4



x2

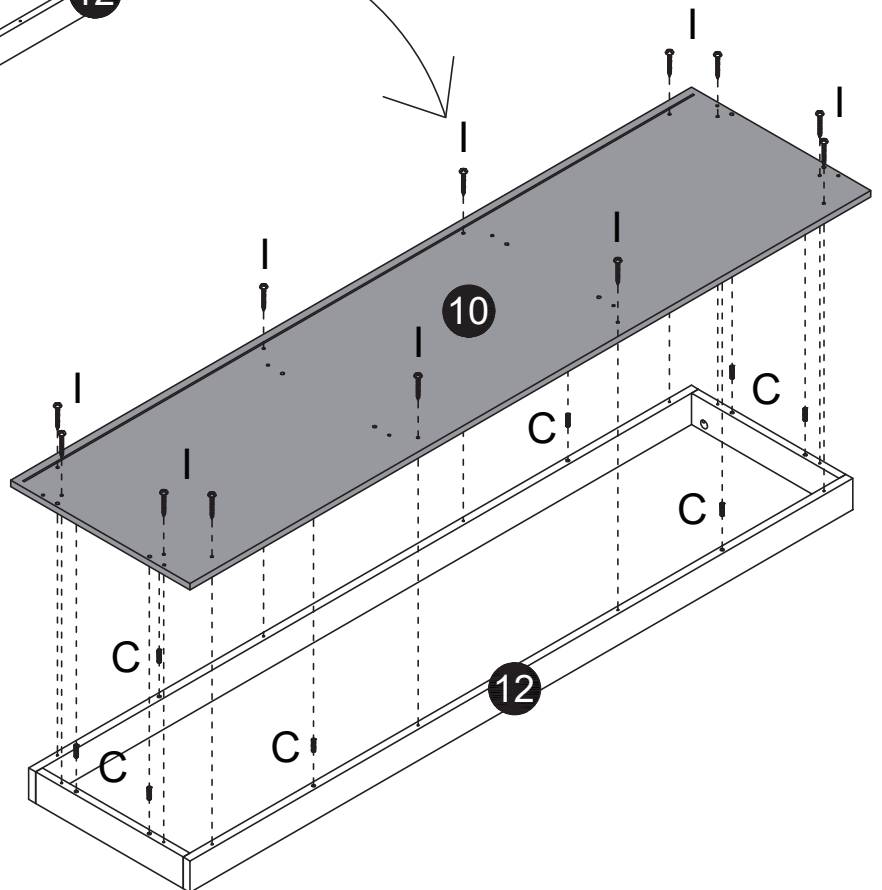
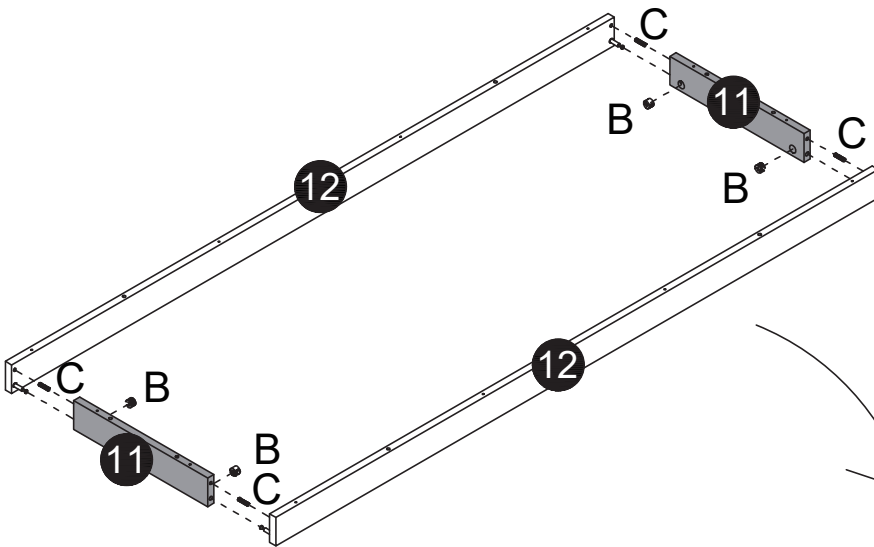
B x4



C x12

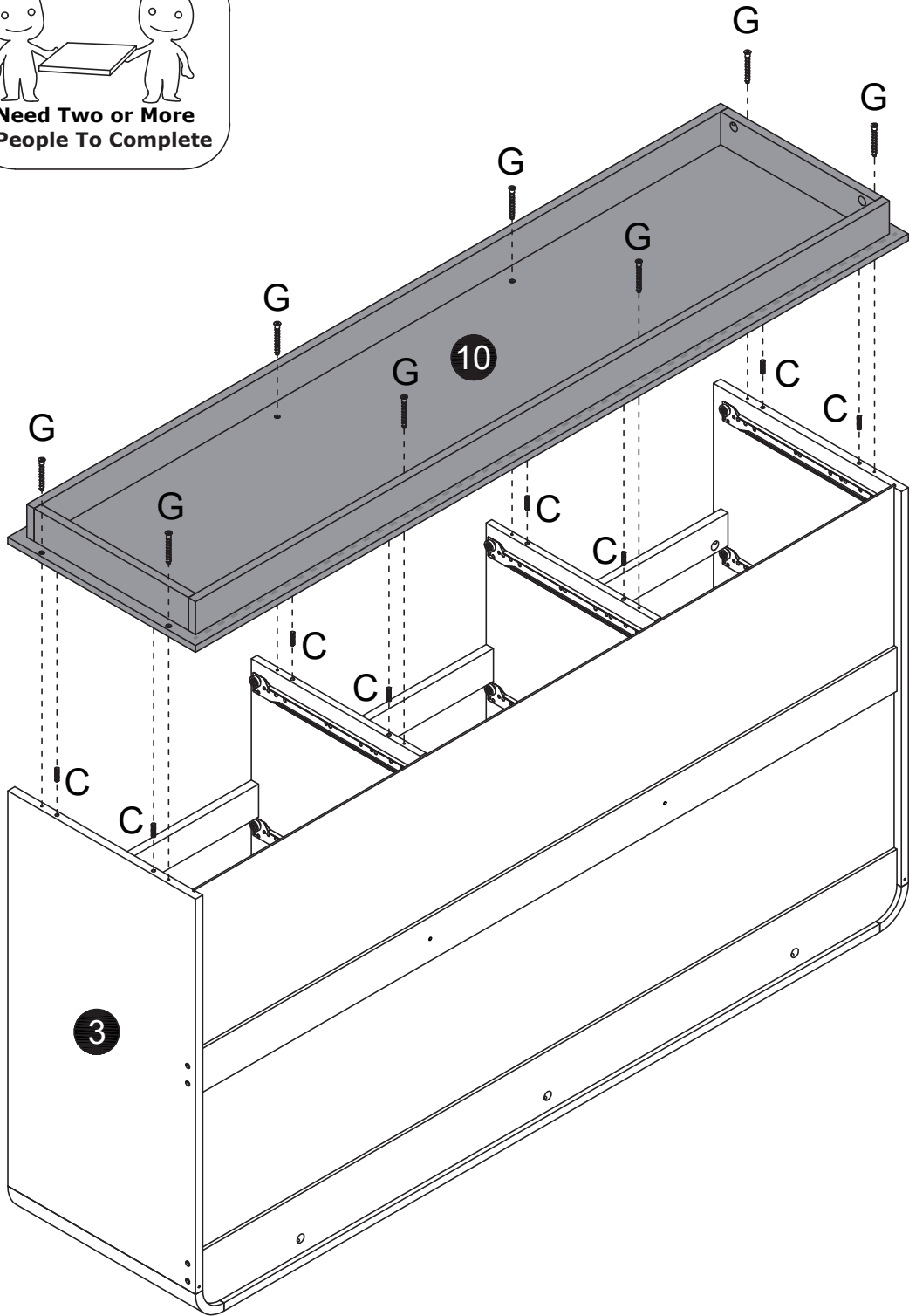
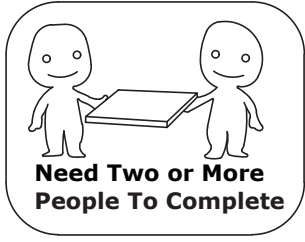


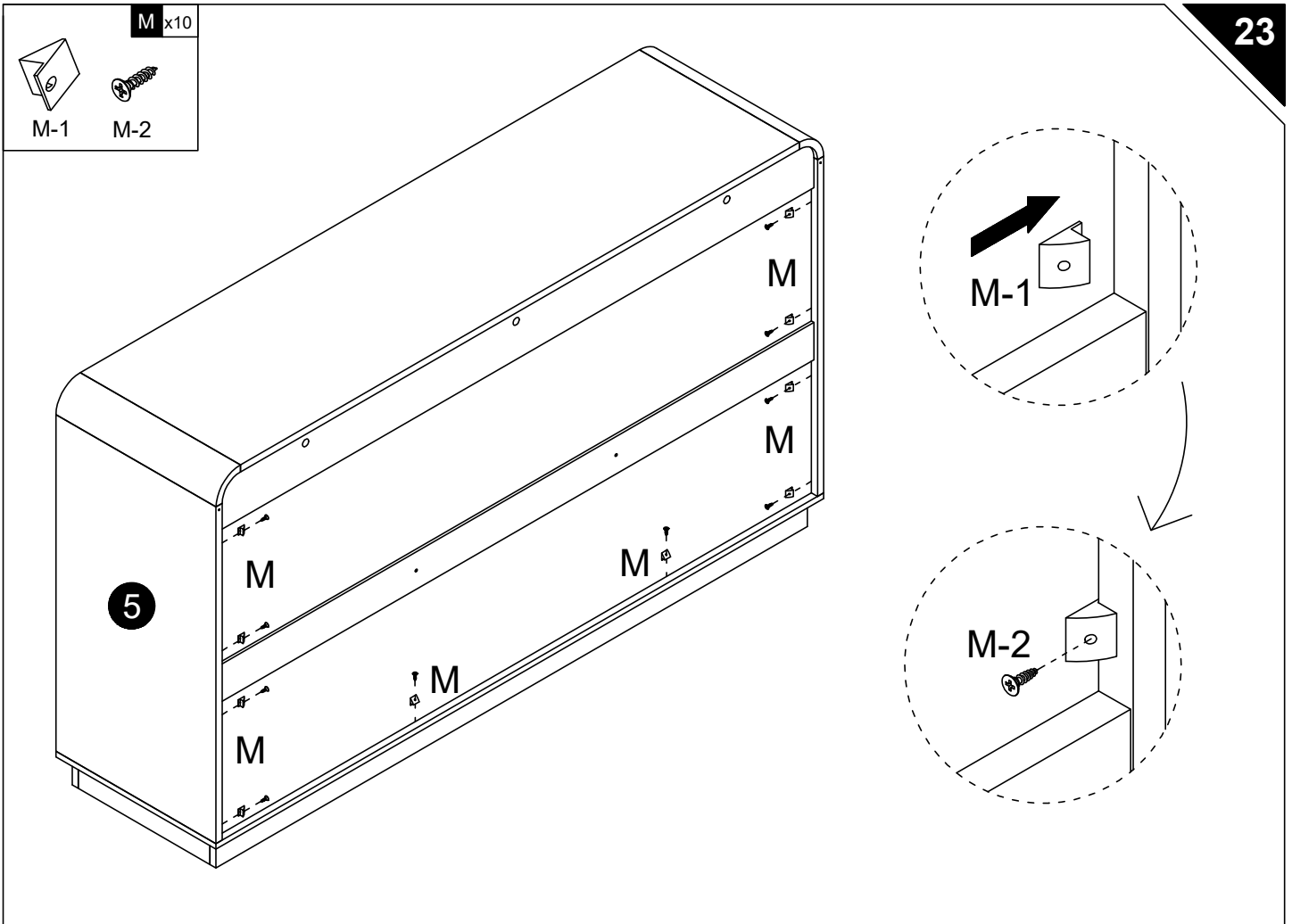
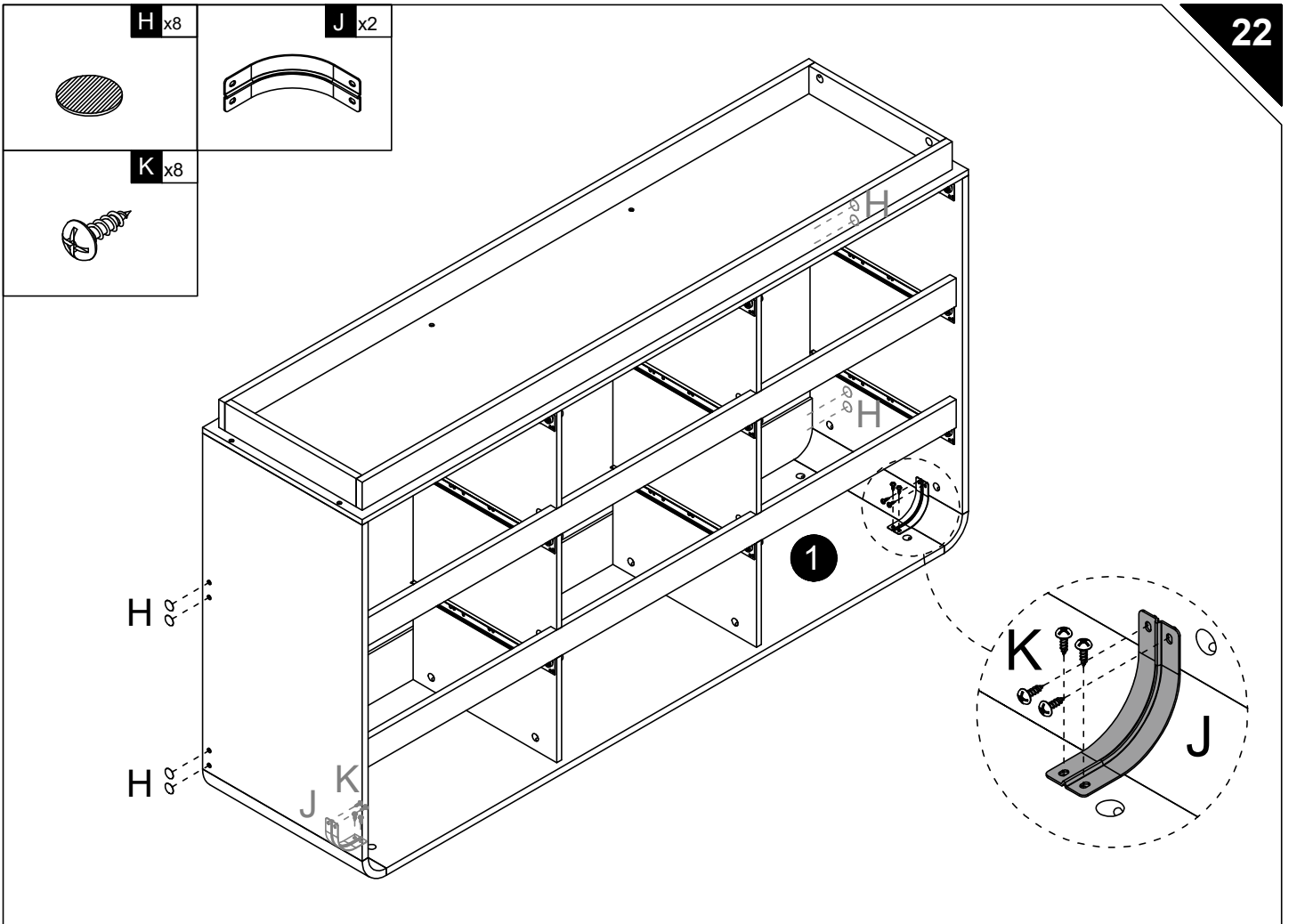
I x12

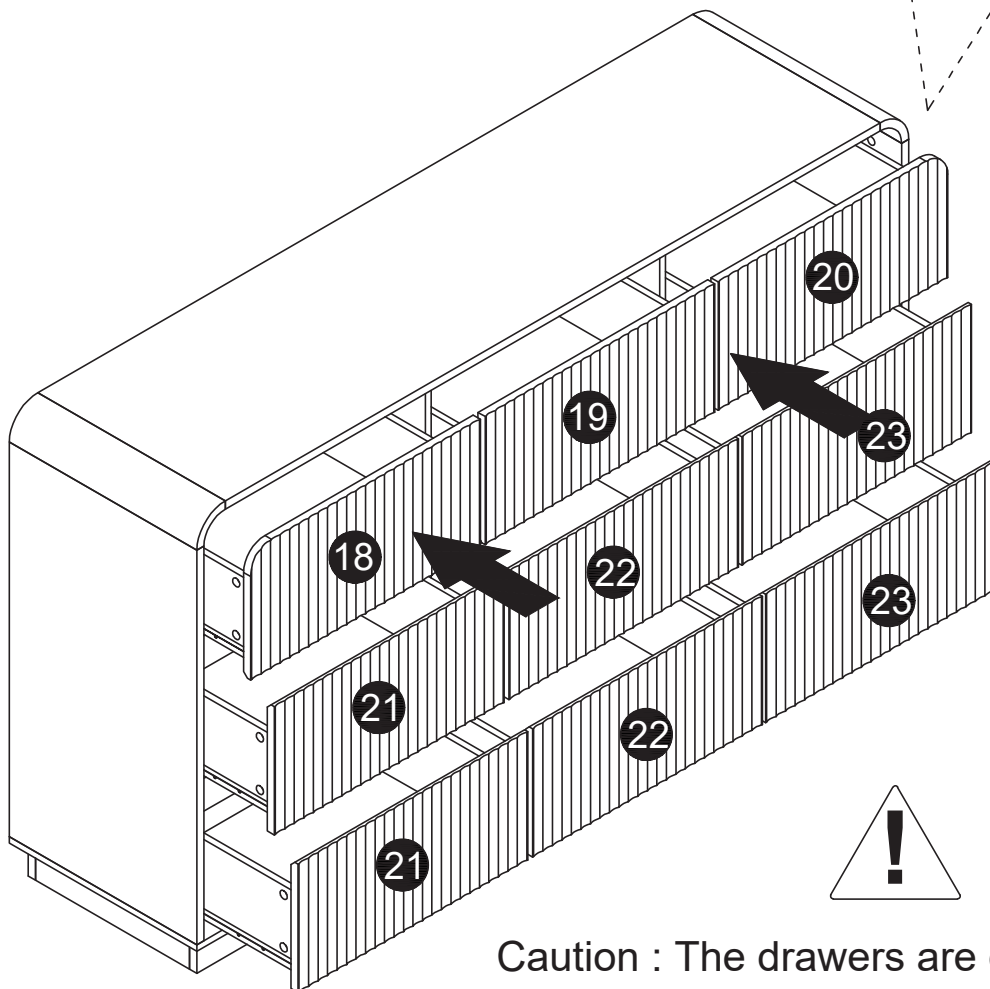
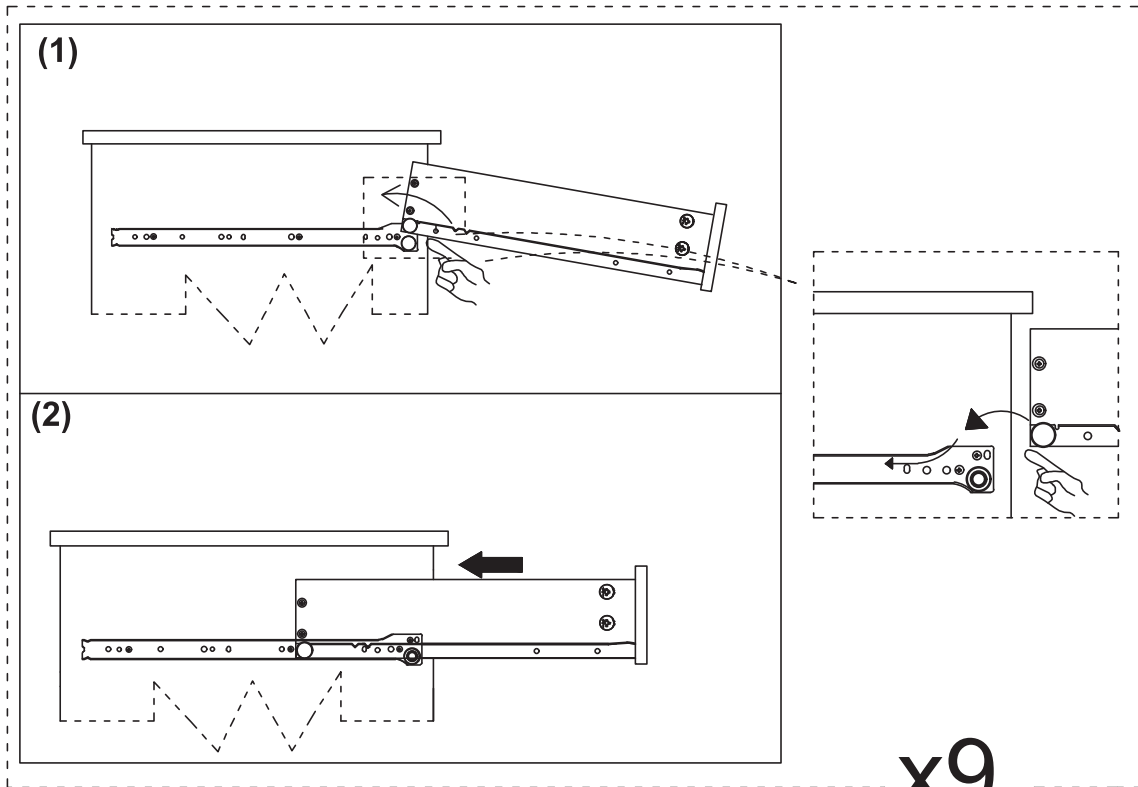


C x8

G x8

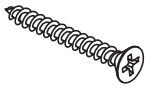




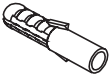


Caution : The drawers are differentiated on the left and right, please place them according to the corresponding numbers.

D x2



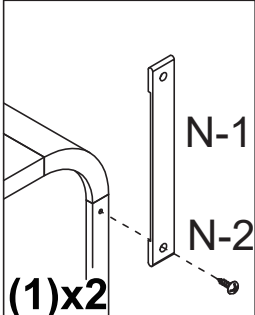
L x2



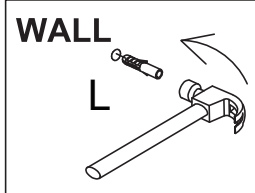
N x2



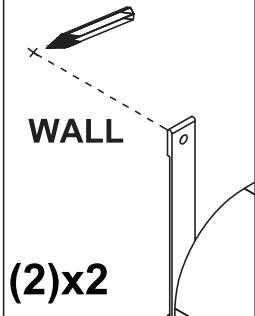
N-1 N-2



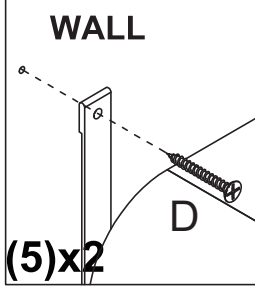
First fix the anti-rewind screw in the reserved hole of the product.



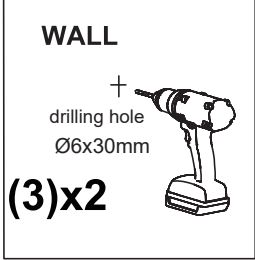
Then, put the expansion bolt into the hole



then, use a ruler to measure the approximate height of the product on the wall, and then mark it with a pen.



Finally, pass the matching screws through the "anti-rewind" and tighten them to fix them on the wall.



Then use a tape drill to make holes in the wall that are suitable for the product screws.

