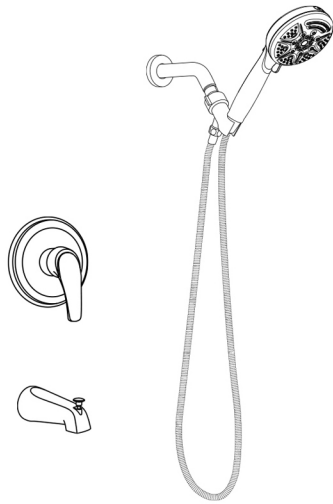


INSTALLATION MANUAL



Luxury Concealed Shower Set

Note: The shower head style may be different, but the installation is the same

1、 New installations

NOTE!!!

1. Supply lines should be purged to clean impurities before connecting the unit.
2. The hot water supply should be connected to the left and the cold water supply to the right, when viewed from the operating position. If this is not taken into account can cause permanent damage to the cartridge.
3. Screw connections and test for leaks.
4. Using a spirit level on the cams, the mixer align horizontally, vertically and parallel to the wall.
5. Warm reminder:
In the cold areas or the indoor temperature is less than 39°F in Winter, if no using the faucets for a long time, please turn off the inlet water valve and drain the remaining water inside the supply pipe, which can avoid the faucet damage caused by the expansion of the frozen water.

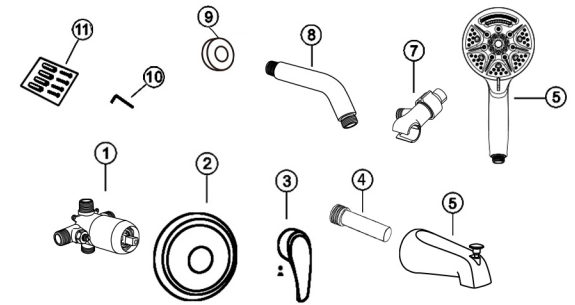
2、 Installation Preparation

1. Read the instructions carefully before installing.
2. The installation must be performed by a qualified person
3. Installation tools:



1

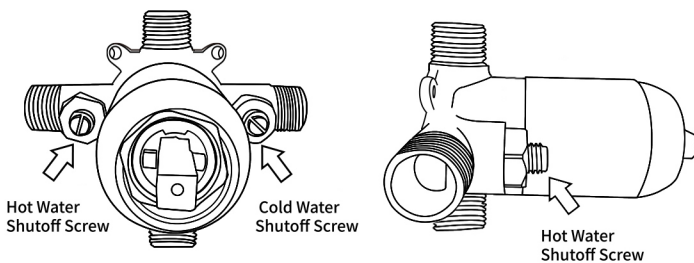
3、 Accessory list



| No | Description | Qty |
|----|-------------------------|-----|
| 1 | Pressure balanced valve | 1 |
| 2 | Cover board | 1 |
| 3 | Cartridge handle | 1 |
| 4 | Brass Adapter | 1 |
| 5 | Tub spout | 1 |
| 6 | Hand shower | 1 |
| 7 | Hand shower holder | 1 |
| 8 | Shower arm | 1 |
| 9 | Decorative cover | 1 |
| 10 | Allen-Key | 1 |
| 11 | Screws bag | 1 |

2

4、 Pressure-balanced valve

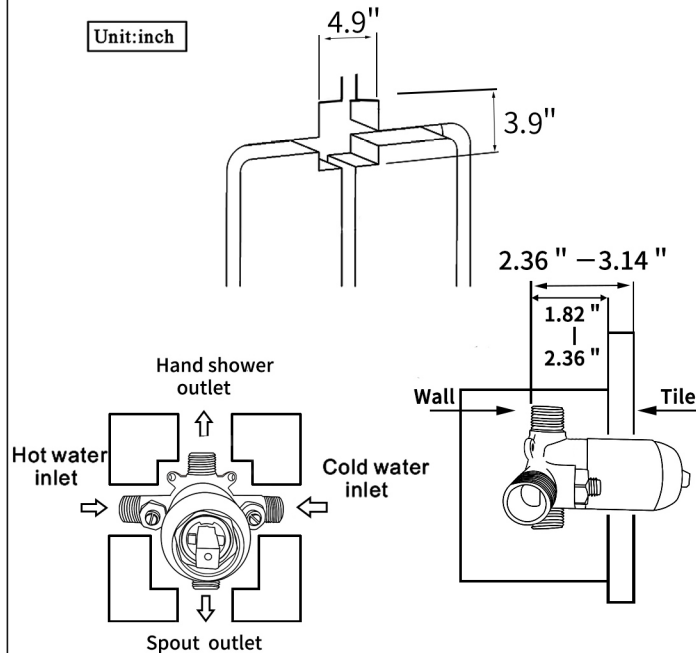


1) The hot and cold valve shutoff screws can be adjusted (tightened=reduce flow or loosened=increase flow) to adjust the water flow.

2) When the cartridge needs to be changed, tighten the valve shutoff screws so that you do not need to eliminate the need to turn off the water main.

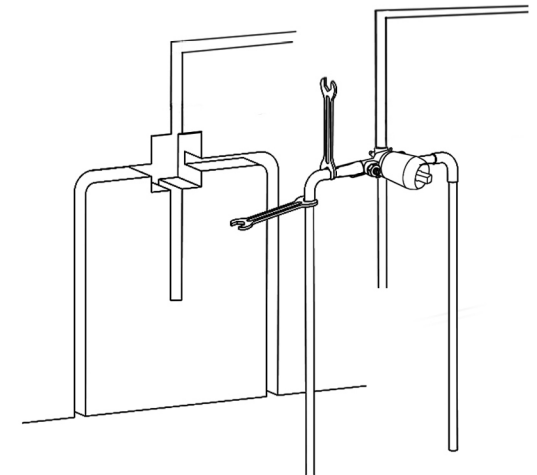
3

5、 Chiseling wall diagram



4

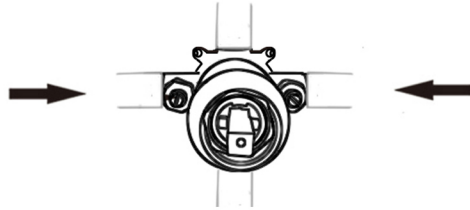
6、 Pipe-connection diagram



5

7、 Water test and leak detection

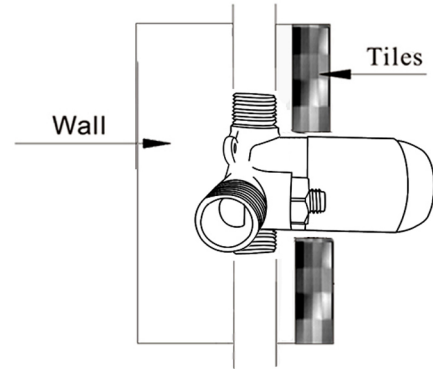
1. After connecting all pipes, please dis-assembling the plastic protection cover, and switch on/off the cartridge, check all connections without any leakage, and all connections connecting to the required functional outlets.
2. Re-install the plastic protection cover to the valve.



6

8、 Wall tiling program

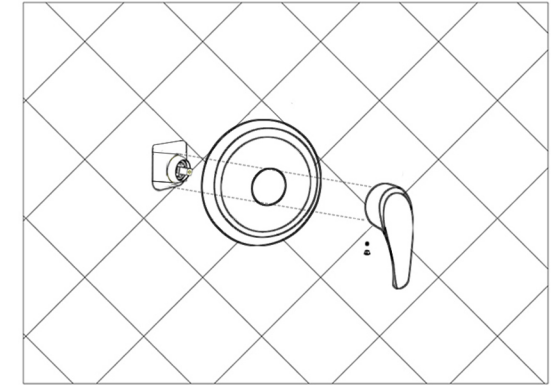
1. Use a parallel ruler to make sure the wall and valve being parallel.



7

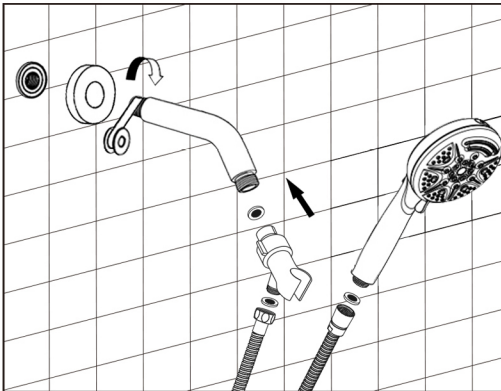
9、 Cover and handle installation

1. Take off the plastic protection cover.
2. Put the cover board on the valve and tighten the handle firmly



8

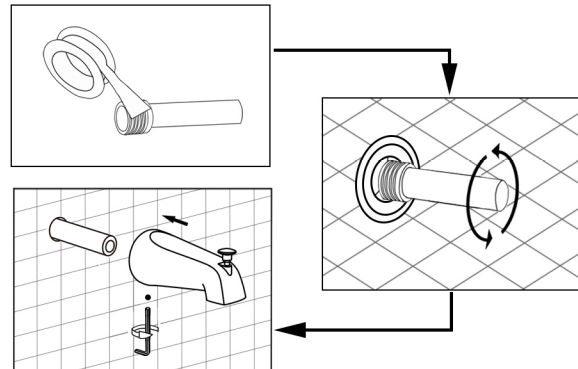
10、 Shower installation



1. Wrap some teflon tape on the shower arm thread connector, then insert the shower arm to flange and water pipe
 2. Screw shower holder onto shower arm (Do not forget the o-ring)
 3. Screw shower hose onto shower holder, then screw hand shower onto shower hose (Do not forget the o-ring)
- Note: The long shower hose fitting connect with hand shower!

9

11、 Spout installation



1. Insert the tub spout into the water pipe connector, and then tighten the screw under the tub spout

Tips:

Lift the button on tub spout to switch water to shower head

Push the button on the tub spout to switch water to tub spout

10

12、 Important notice

1. If must taken the cartridge off, please make sure the blue D-shape washers still on the cartridge!

13、 Cleaning & Maintenance

1. Flush with clean water & dry with soft cloth only.
2. If any dirt, clean with soft liquid or transparent glass detergent.
3. Do not use any scrubbing detergent, polisher, sand-cloth, paper tissue or scraper.
4. Do not use acid detergent, insoluble & grain-like detergent or soap.

11