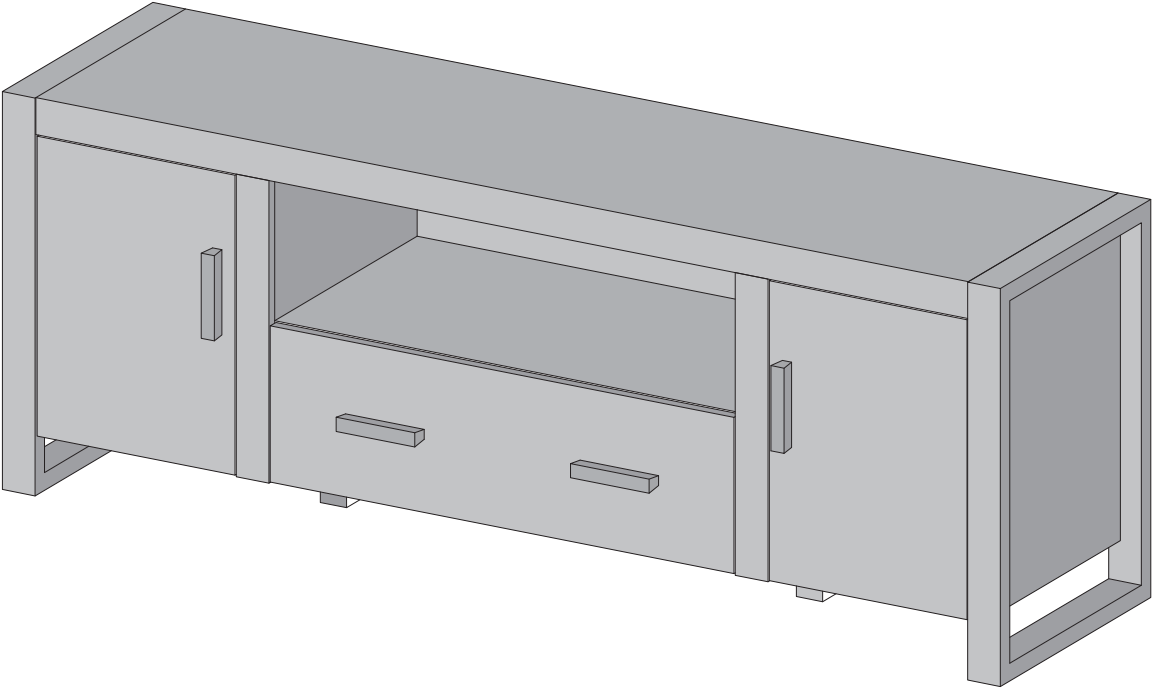
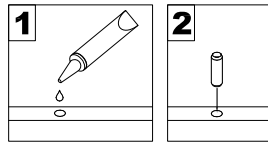


Assembly Instructions

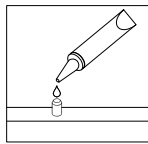


General Assembly Guidelines

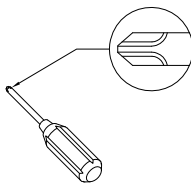
- I. Ensure that all parts and hardware are available before beginning assembly.
- II. Follow each step carefully to ensure the proper assembly of this product.
- III. Two people are recommended for ease in the assembly of this product.
- IV. The three main types of hardware used to assemble this product are : wood dowels , screws and bolts.
- V. The provided glue is to secure wood dowels in place . When first inserting dowels , locate the appropriate hole for the dowel , place a small amount of glue in the hole and insert the dowel . Wipe away excess glue immediately.



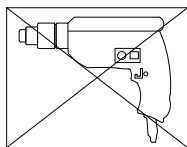
In future assembly steps when dowels are necessary to attach assembly parts together , place a small amount of glue on the end of the dowel before attaching parts together . Wipe away excess glue immediately.



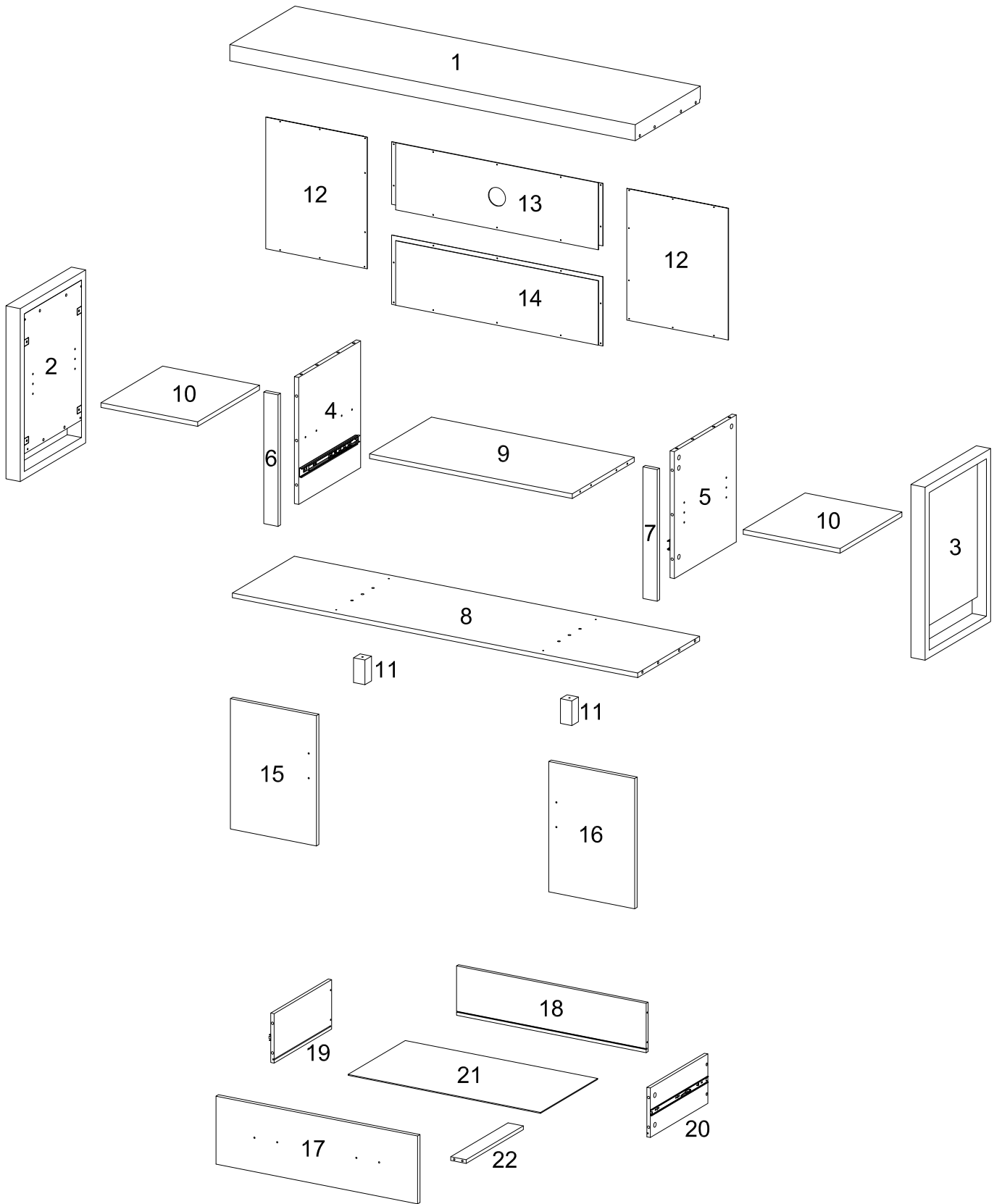
- VI. A Phillips head screwdriver is required for the assembly of this product .







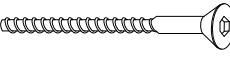
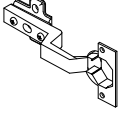


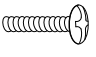
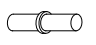

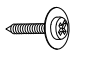
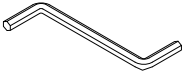

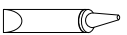
- VII. Power tools should not be used to assemble this product .

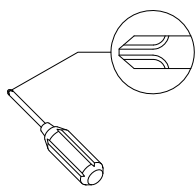


Parts List



Hardware List

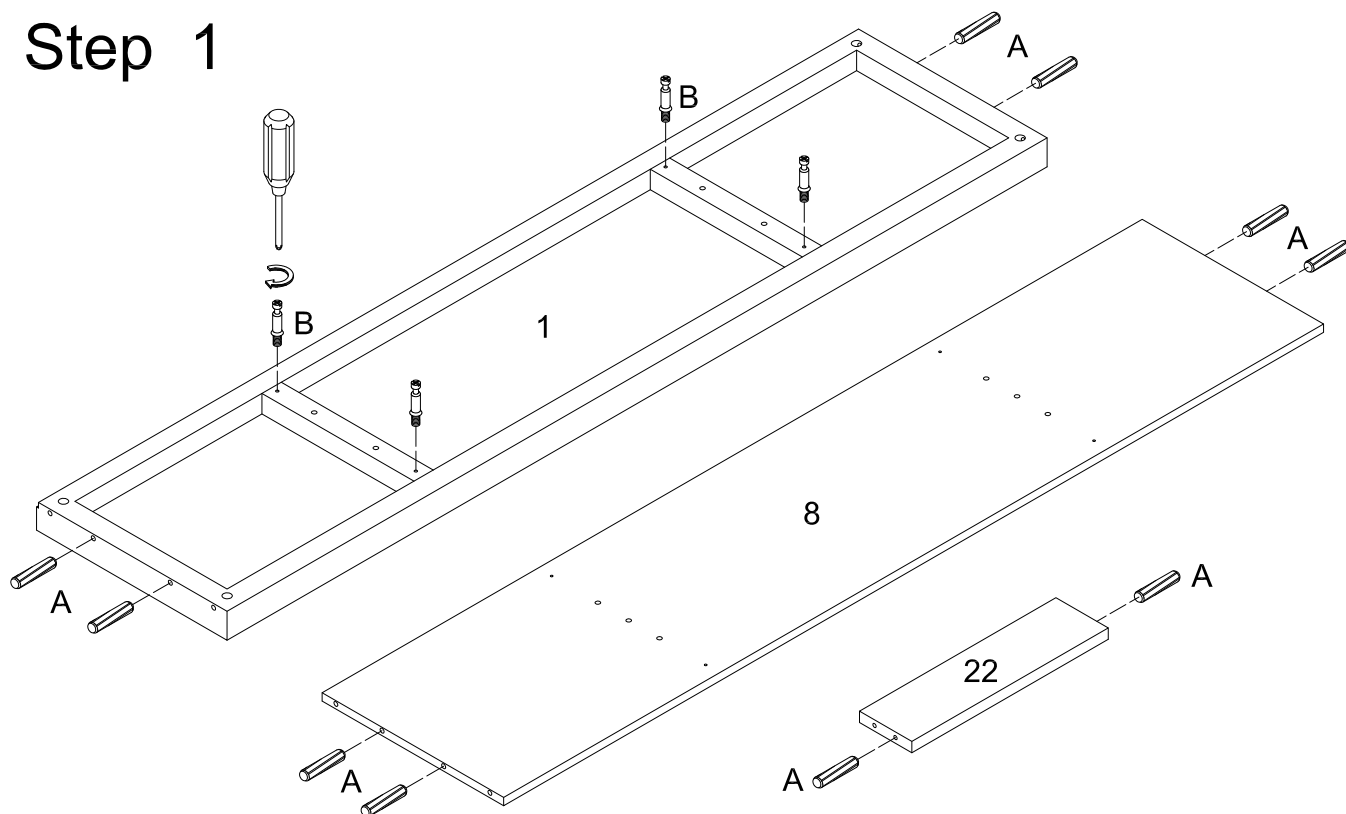
A		Ø8x30mm	Wooden dowel	24 pcs
B			Cam bolt	25 pcs
C		Ø15x11mm	Cam lock	21 pcs
D		Ø15x9.5mm	Cam lock	4 pcs
E		Ø6x50mm	Bolt	6 pcs
F			Hinge	4 pcs
G		Ø3.5x15mm	Screw	16 pcs
H			Knob	4 pcs
J		Ø4x22mm	Bolt	8 pcs
K		Ø8x5x16mm	Shelf support pin	8 pcs
L		Ø8x4x38mm	Screw	5 pcs
M		Ø7x3x12mm	Screw	25 pcs
N			Wrench	1 pc
P			Stick	25 pcs
Q			Glue tube	2 pcs



Philips head screwdriver required for assembly
(not included)

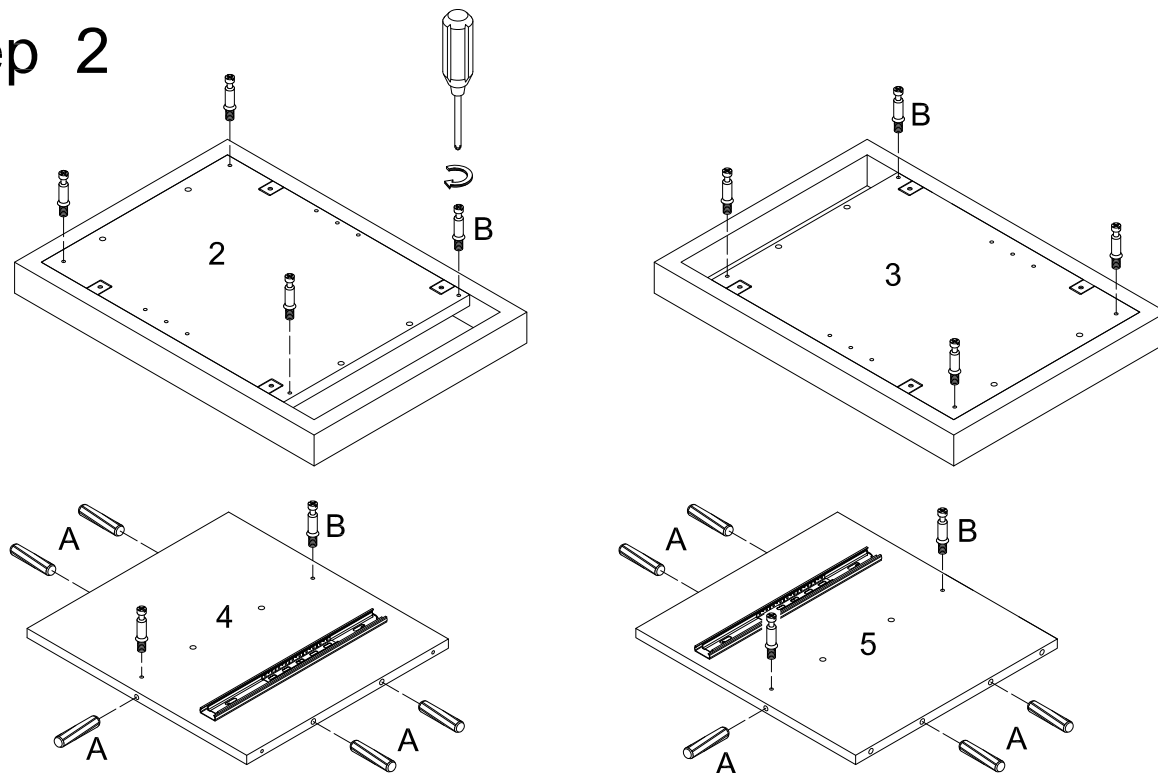
*The hardware quantities listed above are required for proper assembly.
Some extra hardware may also have been included.*

Step 1



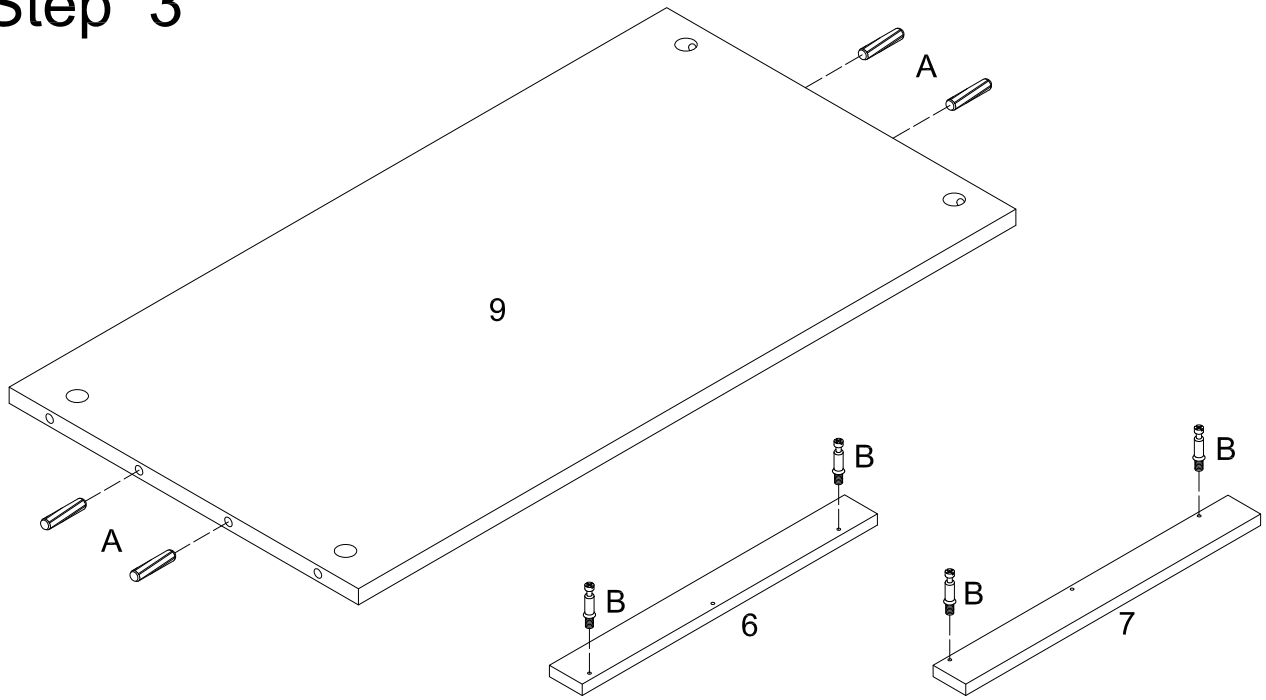
Insert Cam Bolt (B) and Wooden Dowel (A) into the Top Panel (1), insert the Dowel (A) into the bottom Panel (8), insert the Dowel (A) into the Support Bar (22)

Step 2



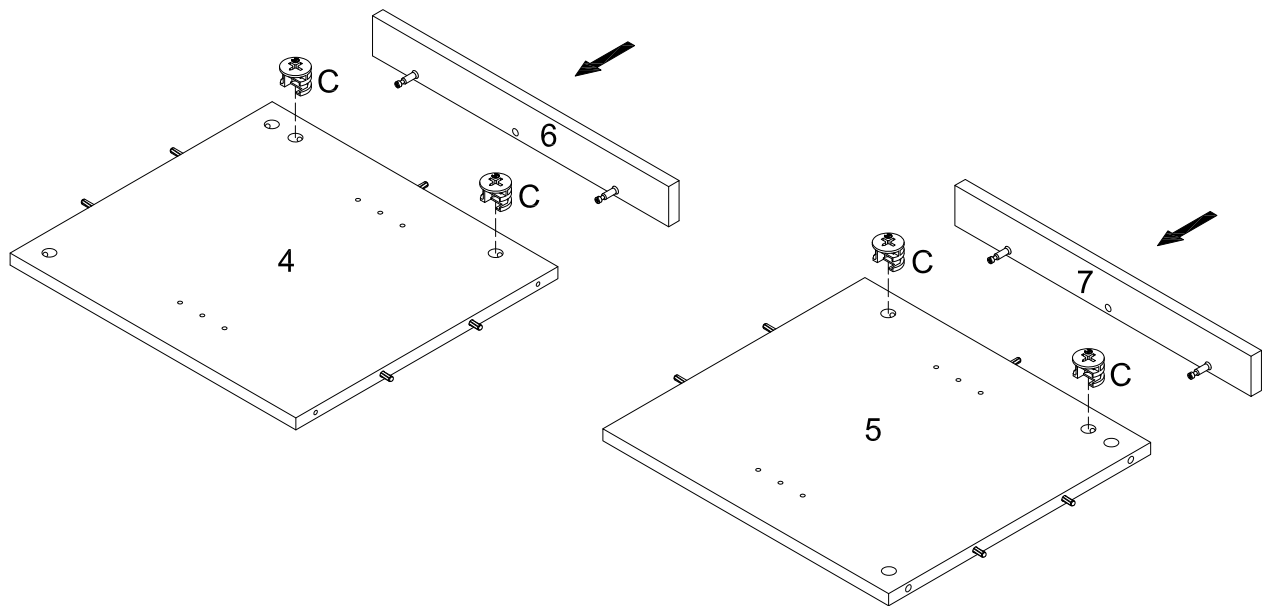
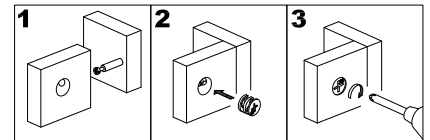
Insert the Cam Bolt (B) on the Side Panel (2) (3), insert the Cam Bolt (B) and the Dowel (A) into the other size panel (4)(5)

Step 3



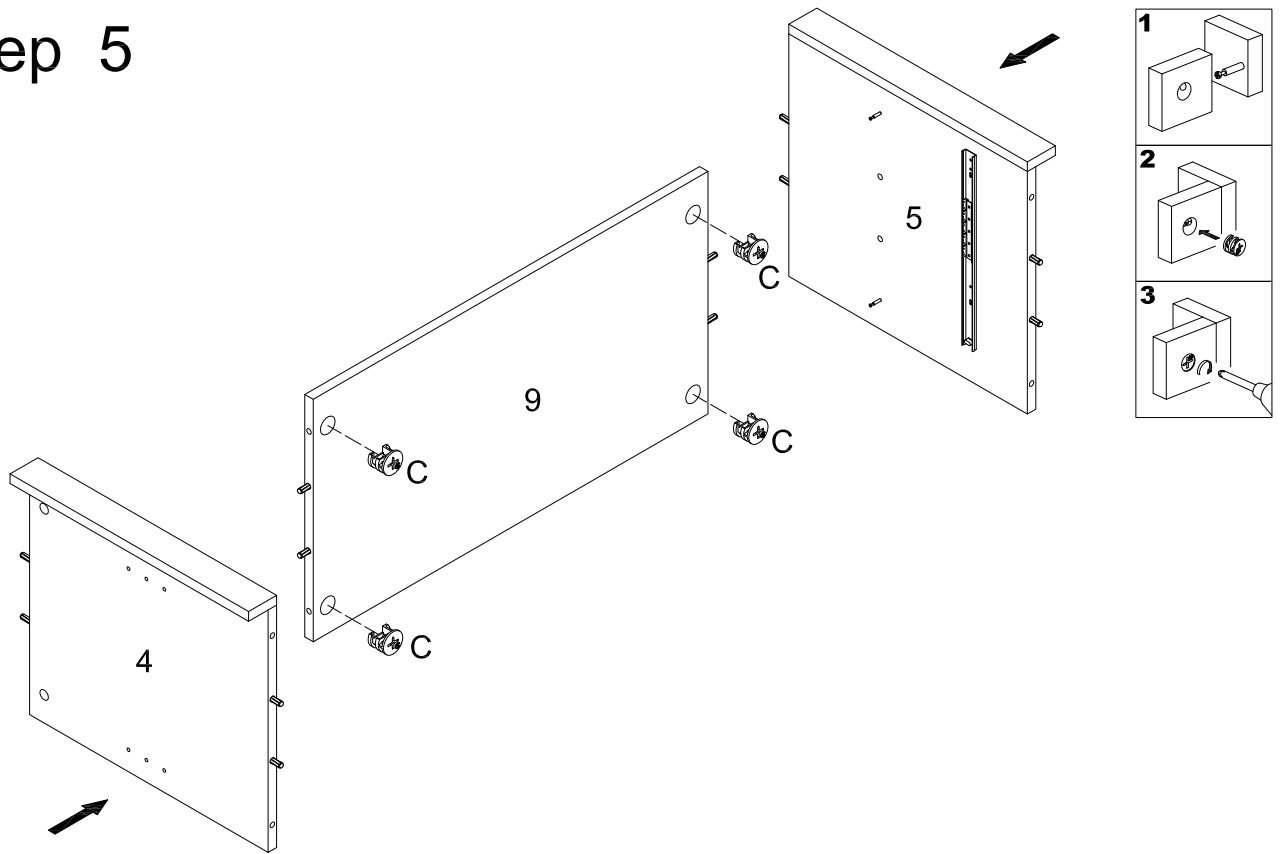
Insert Dowel (A) into the Shelf board (9), insert the Cam Bolt (B) into the Front Panel (6)(7)

Step 4



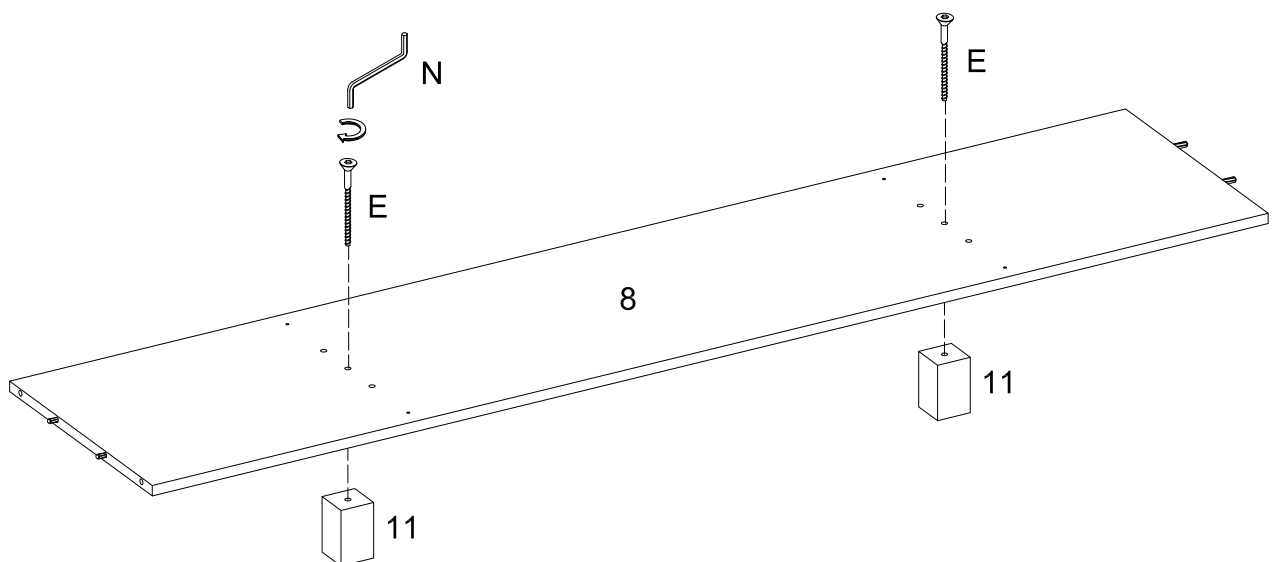
Attach the Front Panel (6)(7) to the Side Panel (4)(5) by Cam Lock (C), also secure the Center by another Cam Lock

Step 5



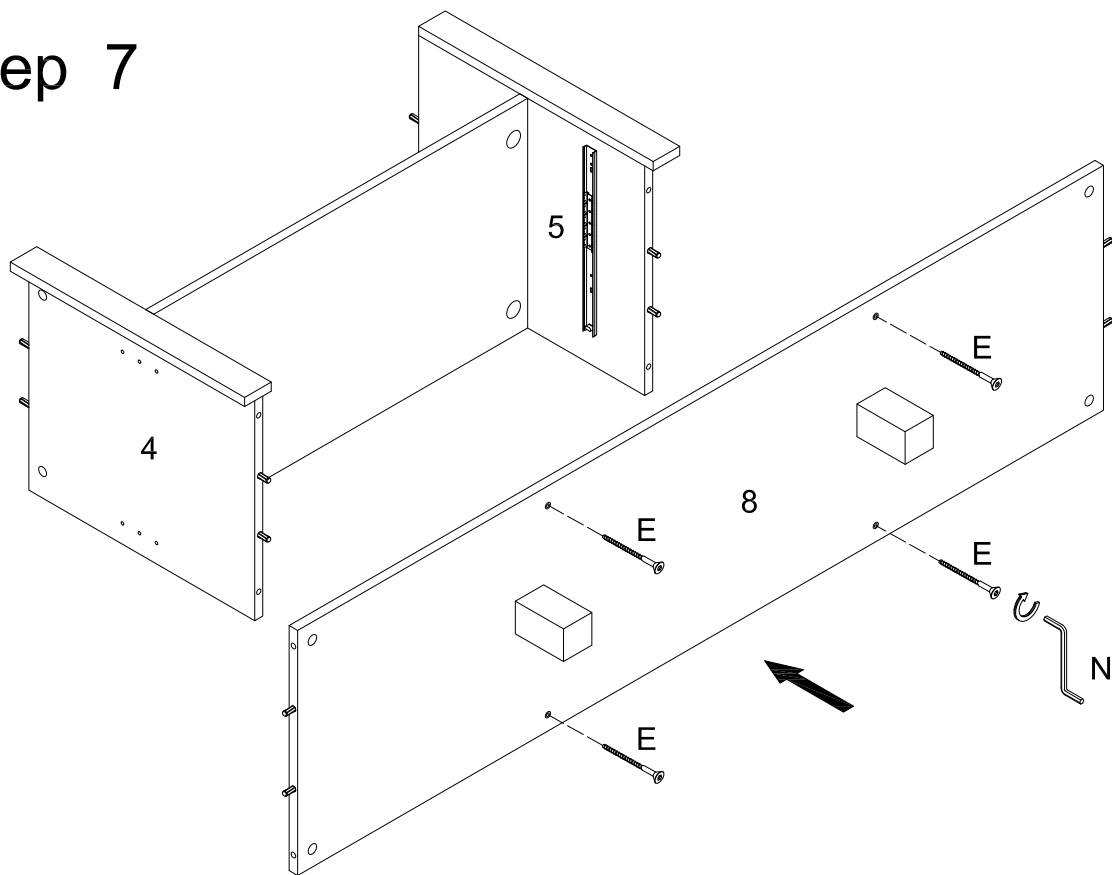
Secure the Size Panel (4)(5) and the Shelf Board (9) by Cam Lock (C)

Step 6



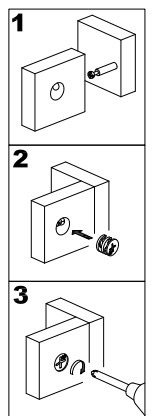
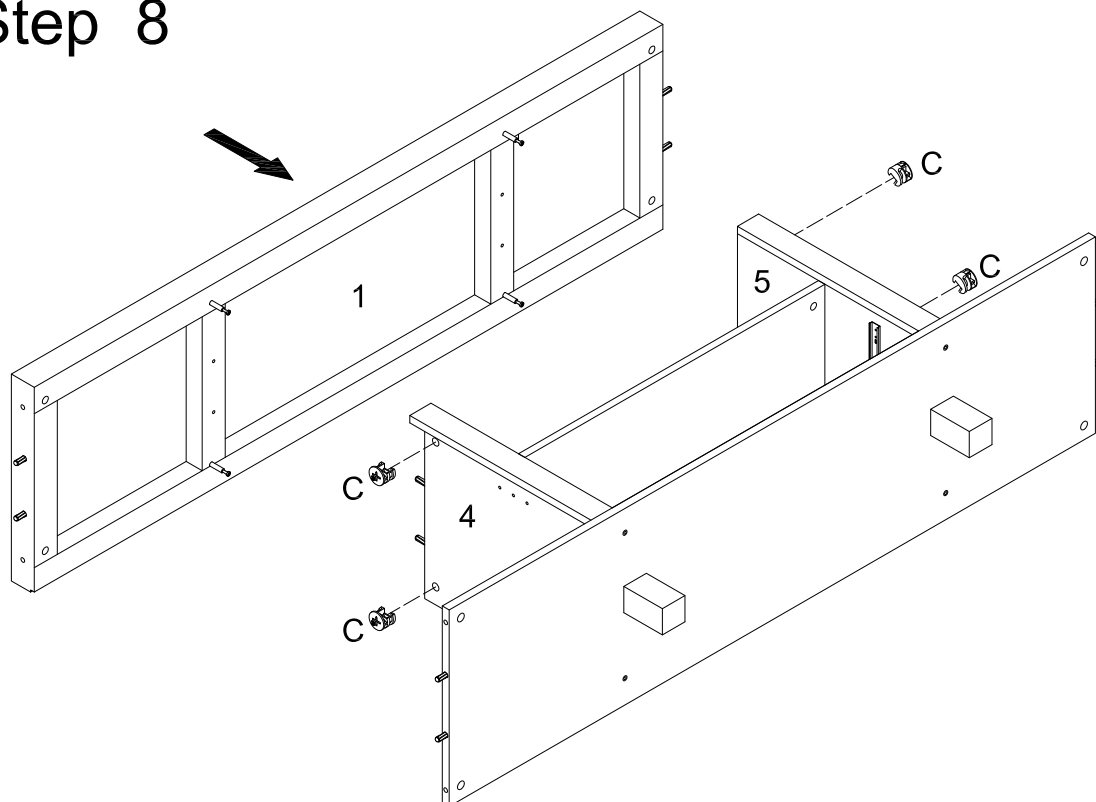
Insert the Legs (11) under the bottom panel (8) by using bolt (E) and Wrench (N)

Step 7



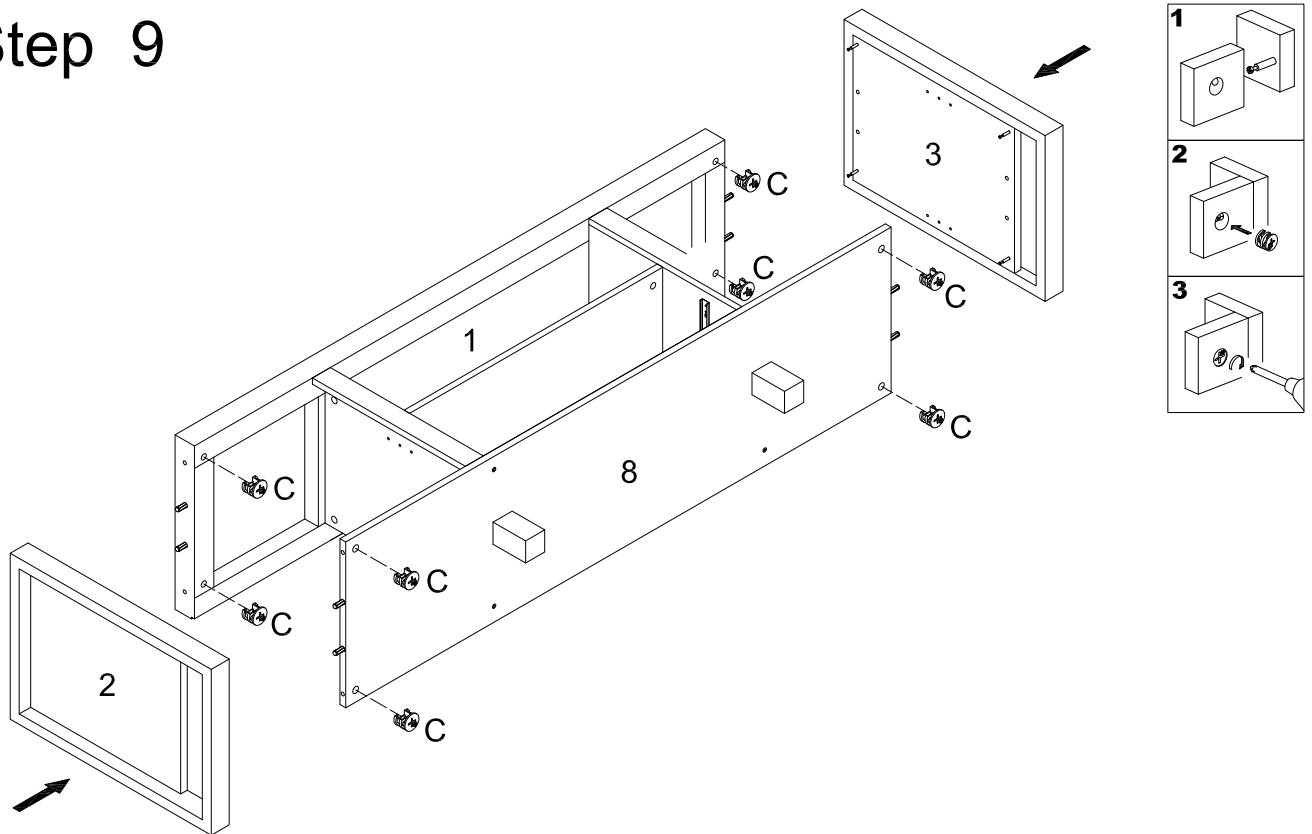
Attach the Center piece (4)(5) into the bottom Panel (8) by using bolts (E) and Wrench (N)

Step 8



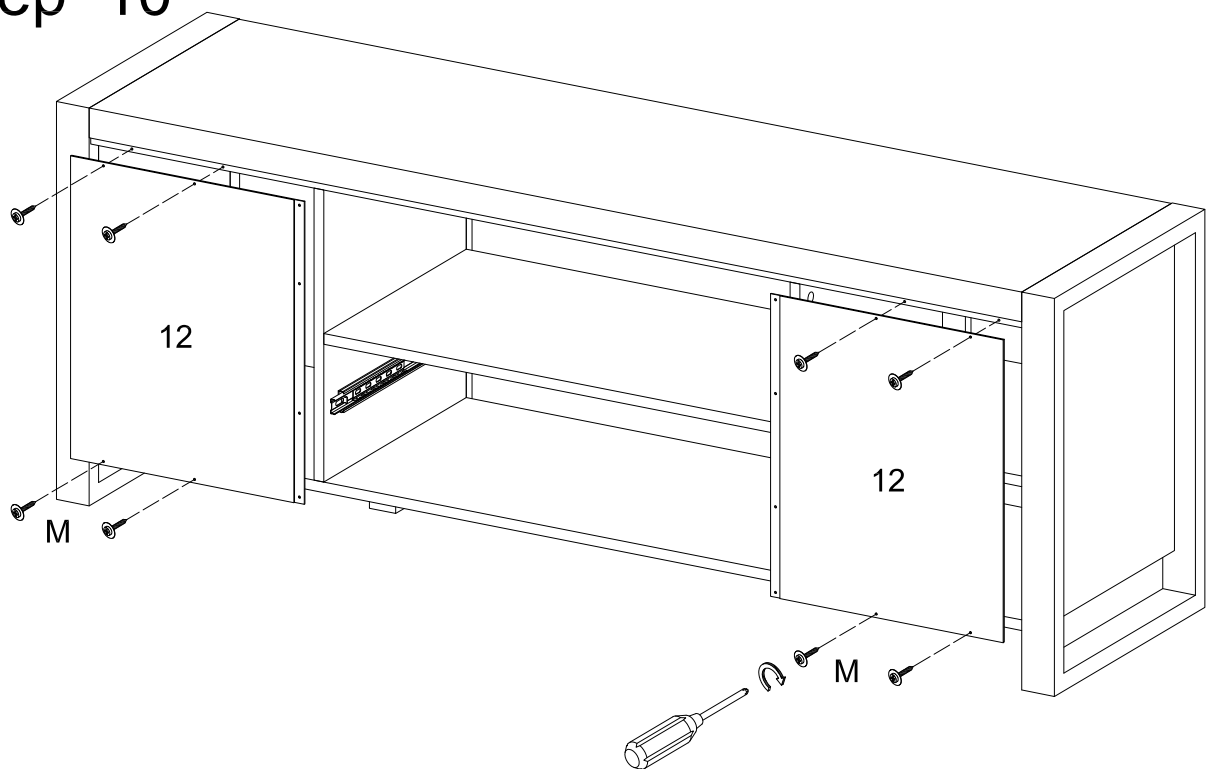
Attach the Top Panel (1) into the center piece by using Cam Lock (C)

Step 9



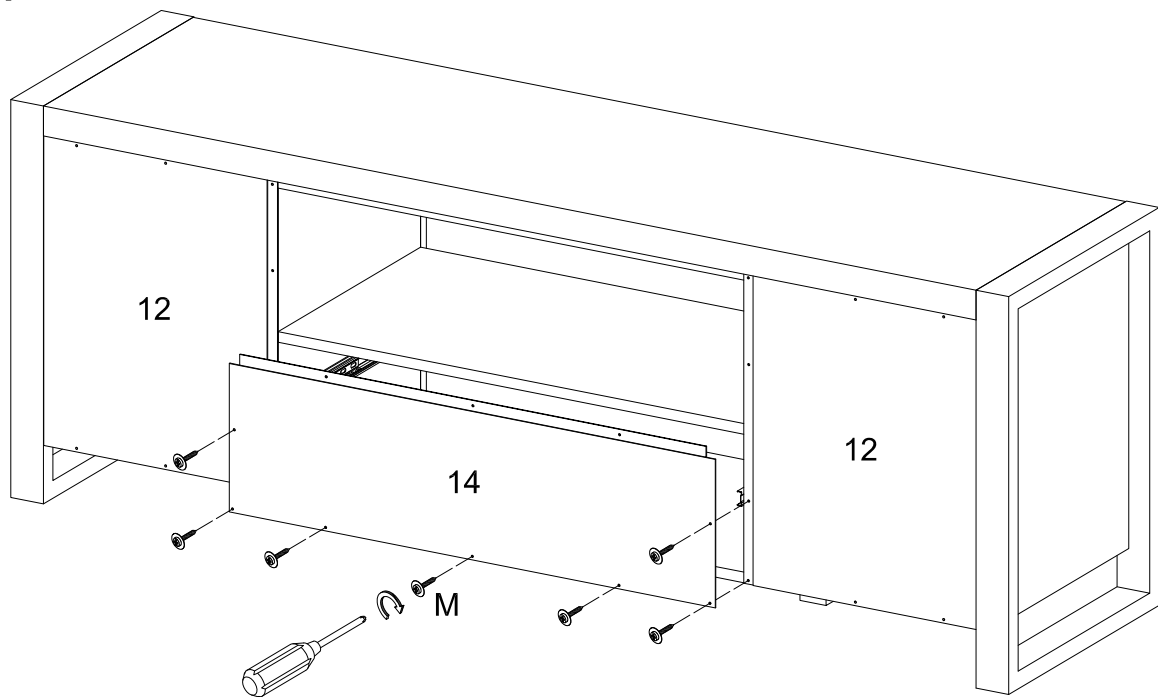
Attach the Side Panel (2)(3) to the Center Piece by using the Cam Lock (C)

Step 10



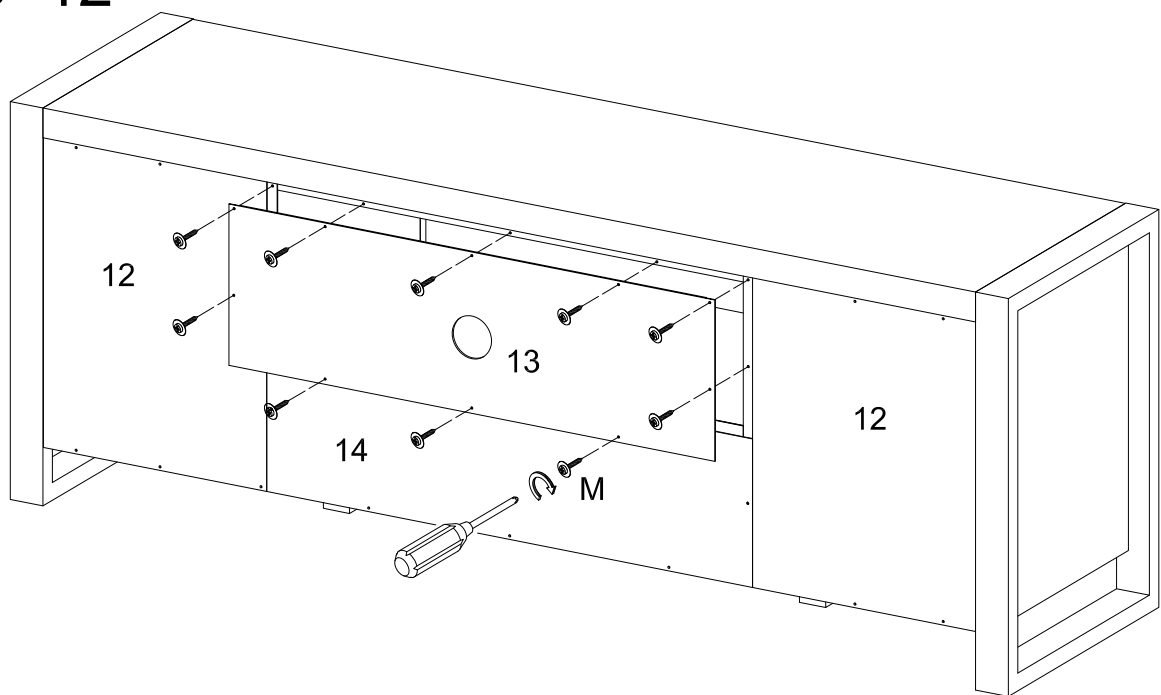
Attach the Back Panel (12) to the back side by using Screw (M) to the Pilot Hole of the back of the unit

Step 11



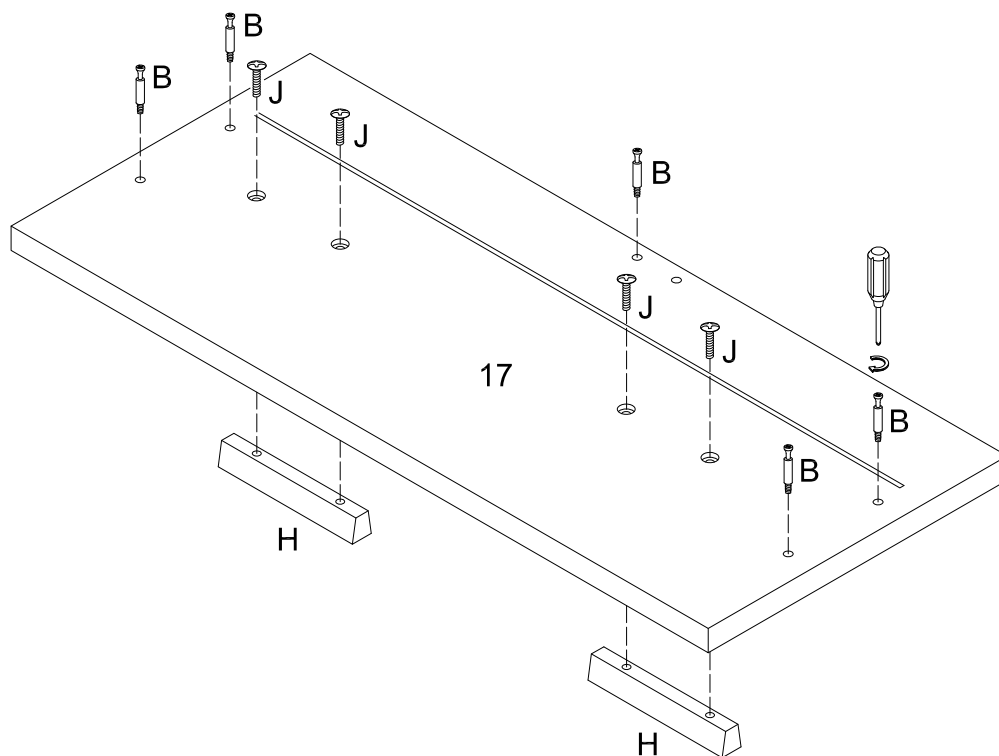
Repeat Step #10 for the back panel (14)

Step 12



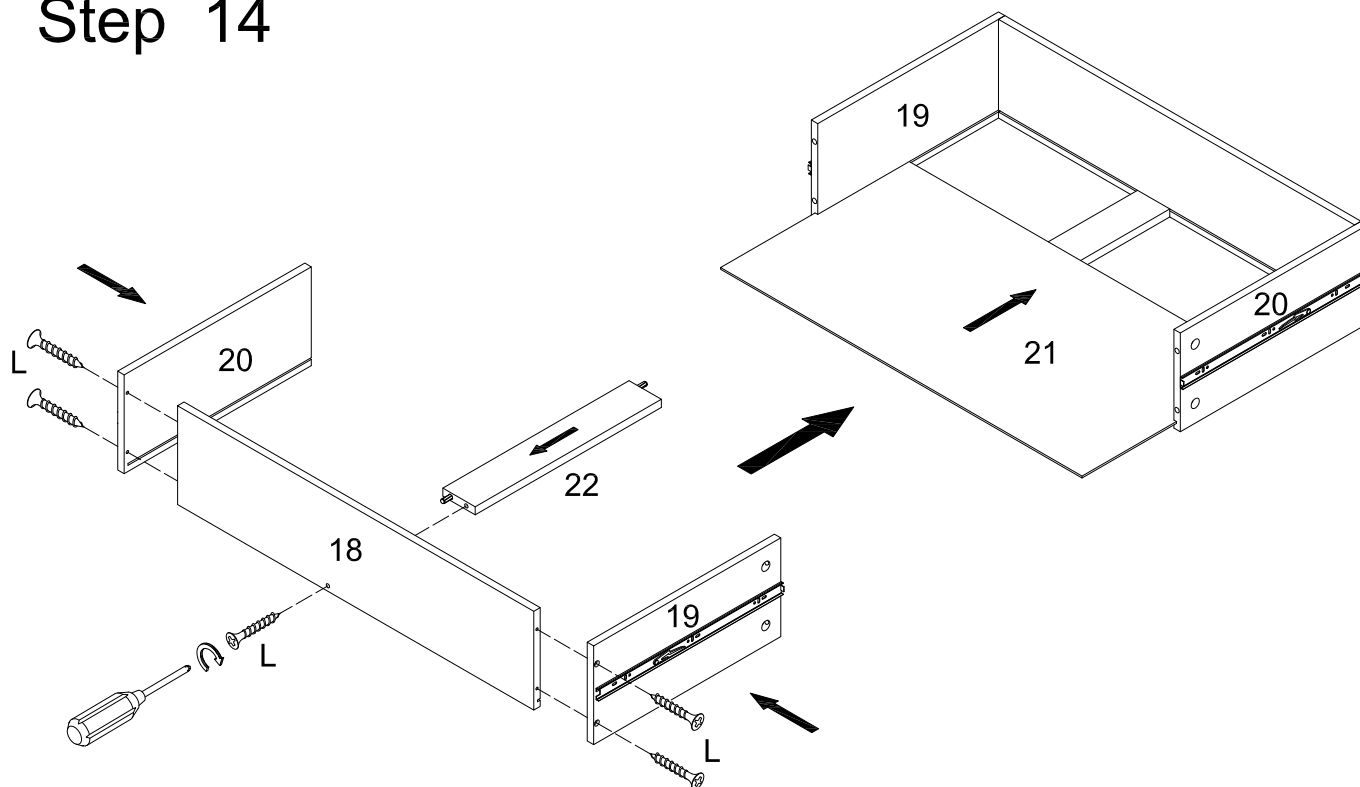
Repeat Step #10 for the Back Panel (13)

Step 13



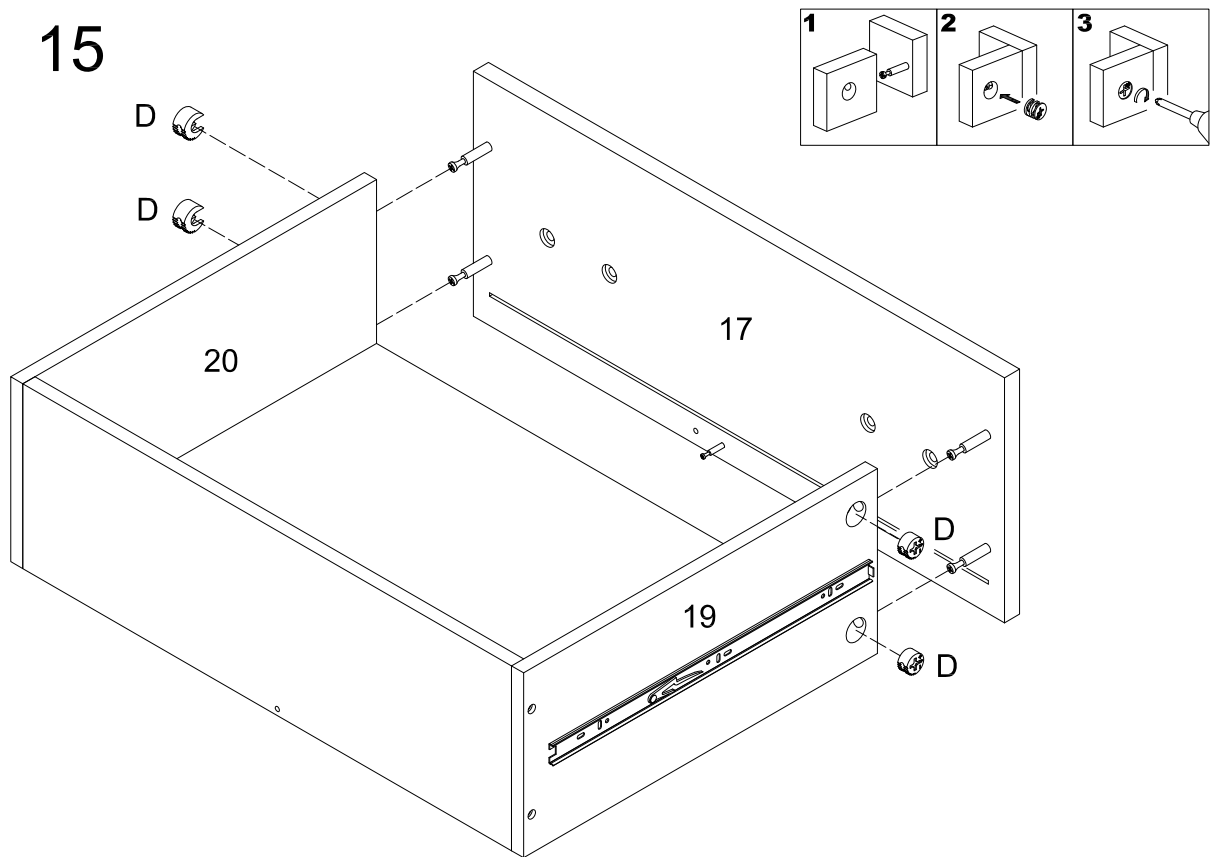
Insert the Door Handle (H) to the Drawer Panel (17) by using Bolt (J), insert the Cam Locks (B) as well

Step 14



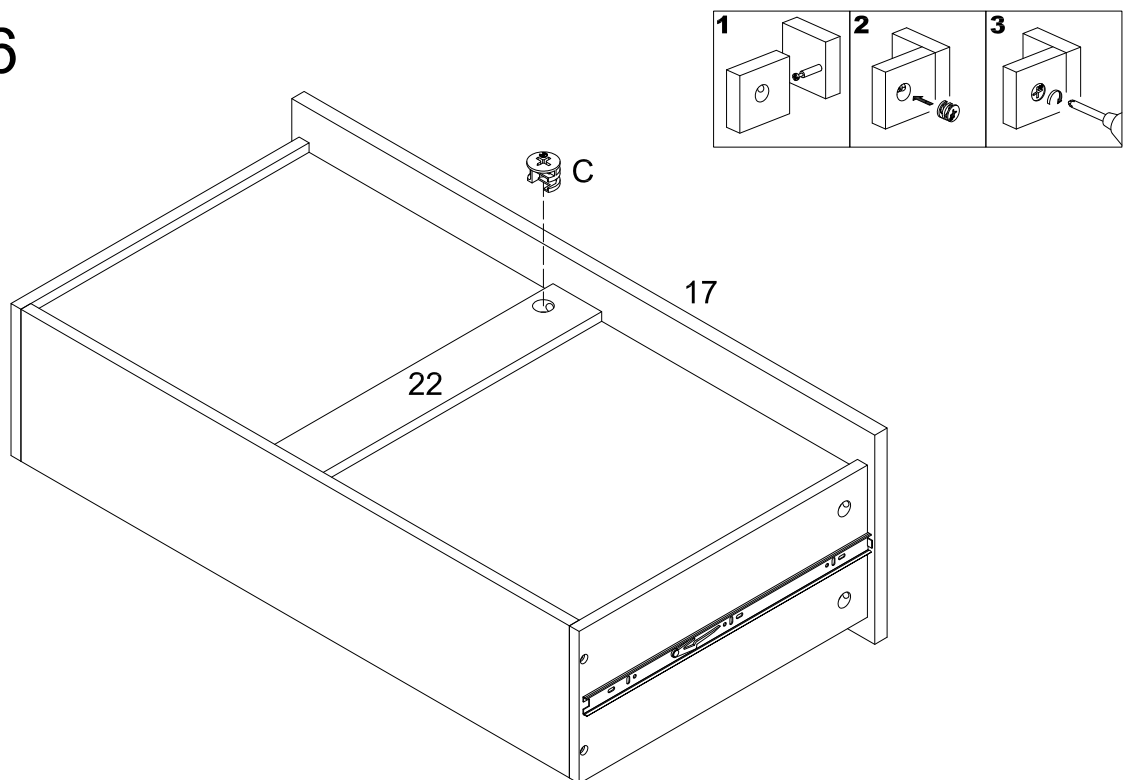
Attach Side Panel (19)(20) to the Back Panel of the Drawer by using Screw (L), Attach the Support Bar to the Center of the Drawer Back Panel by using Screw (L), Slide the drawer panel (21) to the Side Panel (19)(20) carefully

Step 15



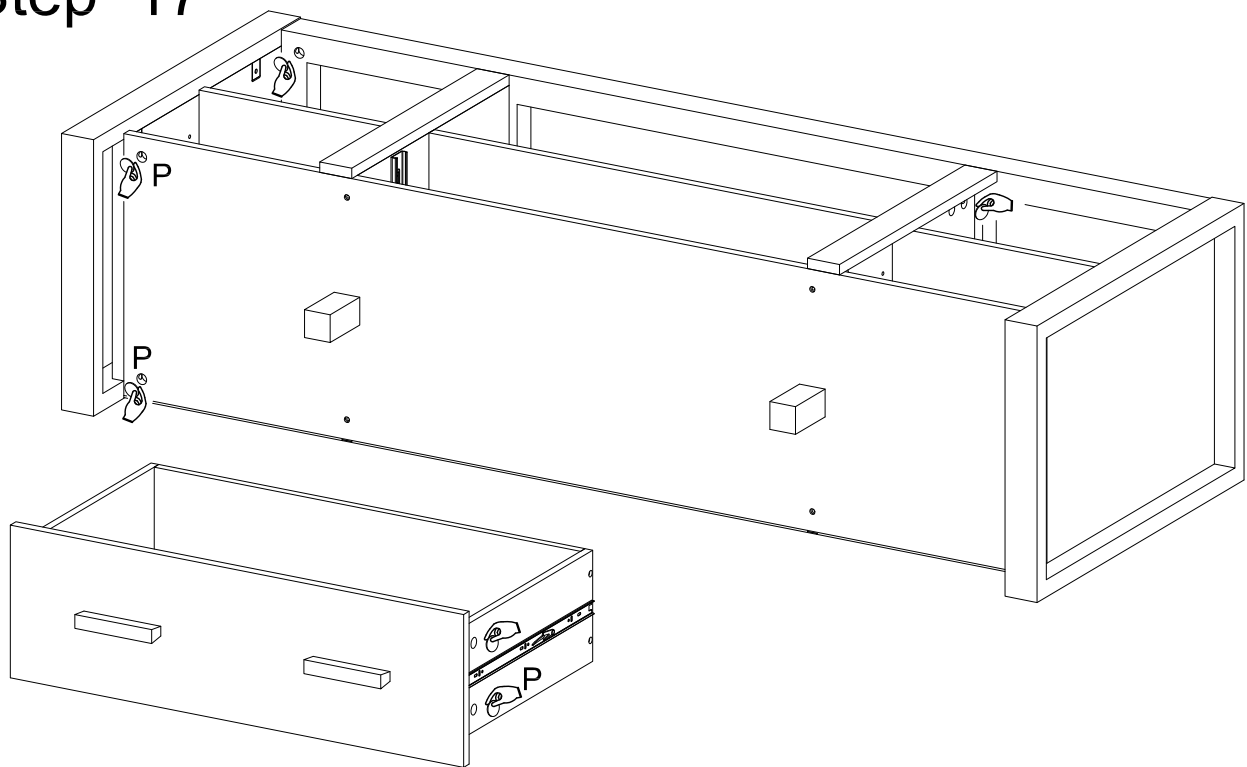
Attach the Drawer Front Panel (17) to the Drawer and secure it by the Cam Locks (D)

Step 16



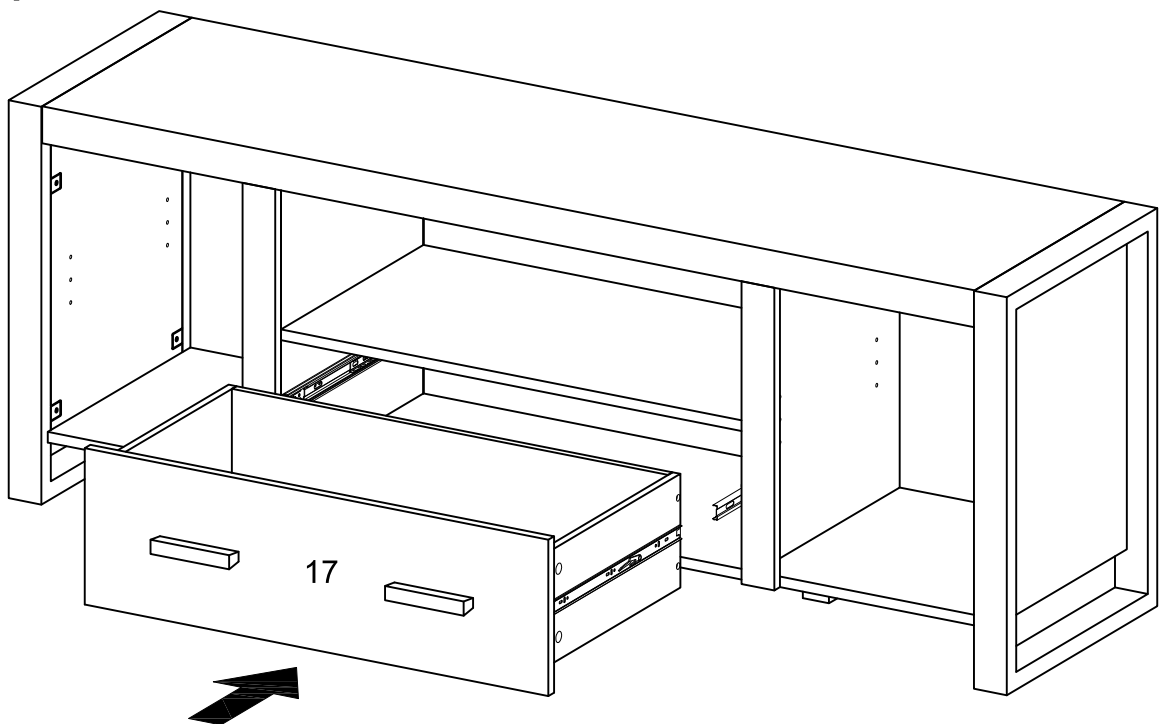
Upside Down the Drawer and secure the Support bar and the drawer itself by Cam Lock (C)

Step 17



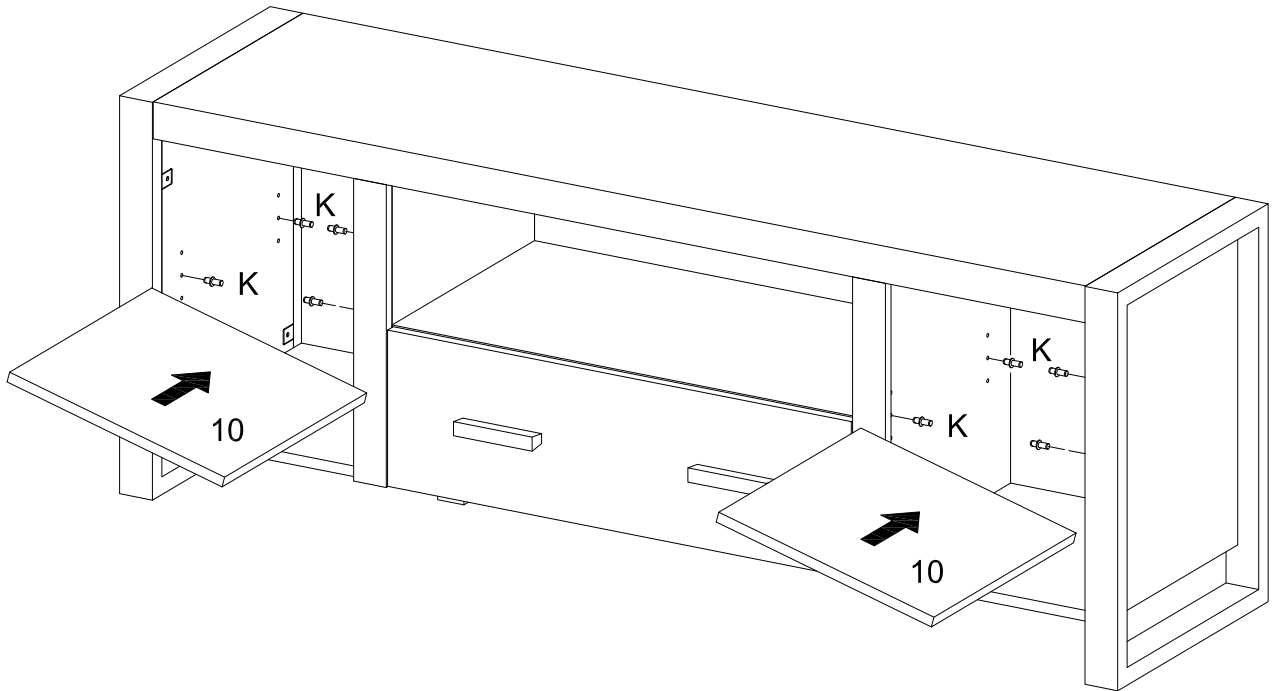
Cover the Cam Locks for the Unit and Drawer by using sticker (P)

Step 18



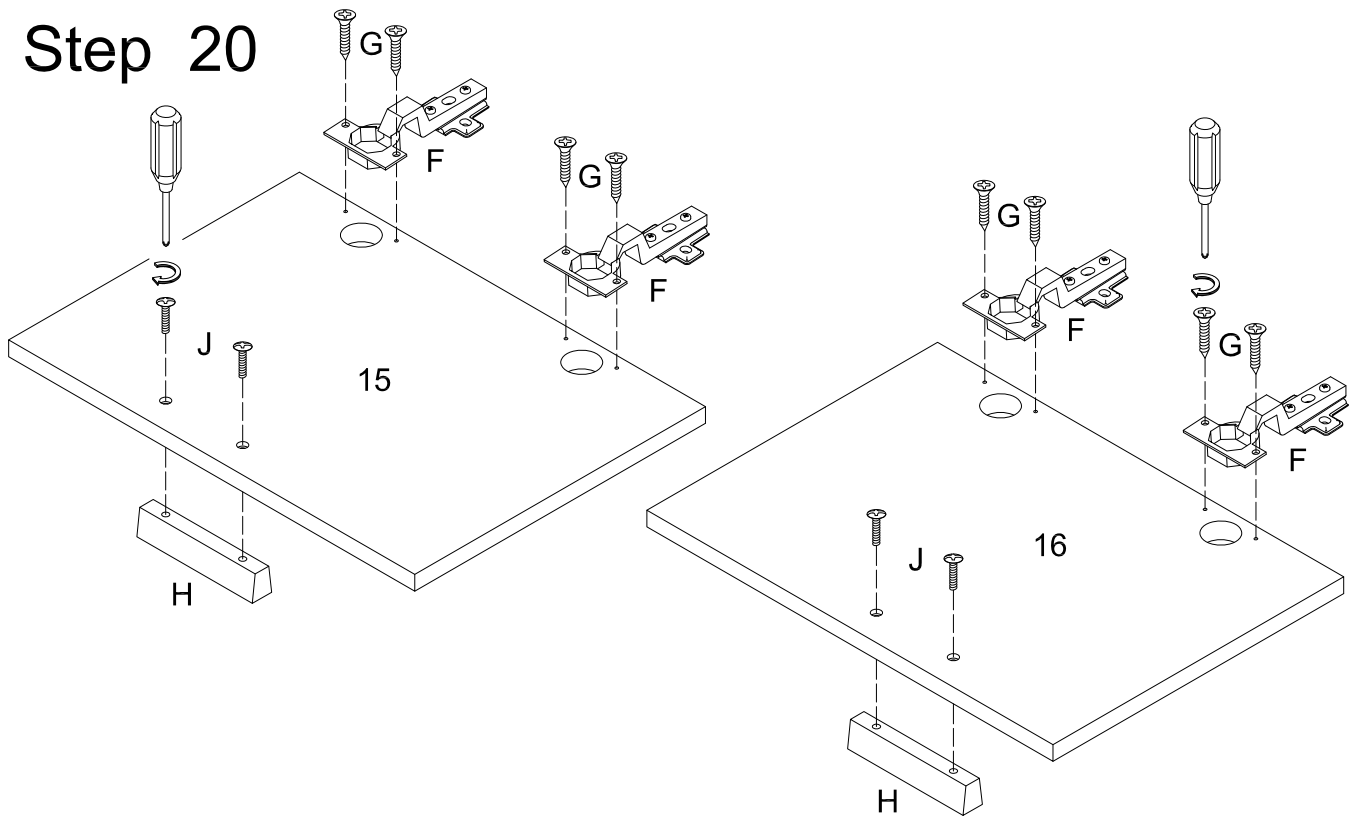
Insert the Drawers (17) thur the slider to the unit

Step 19



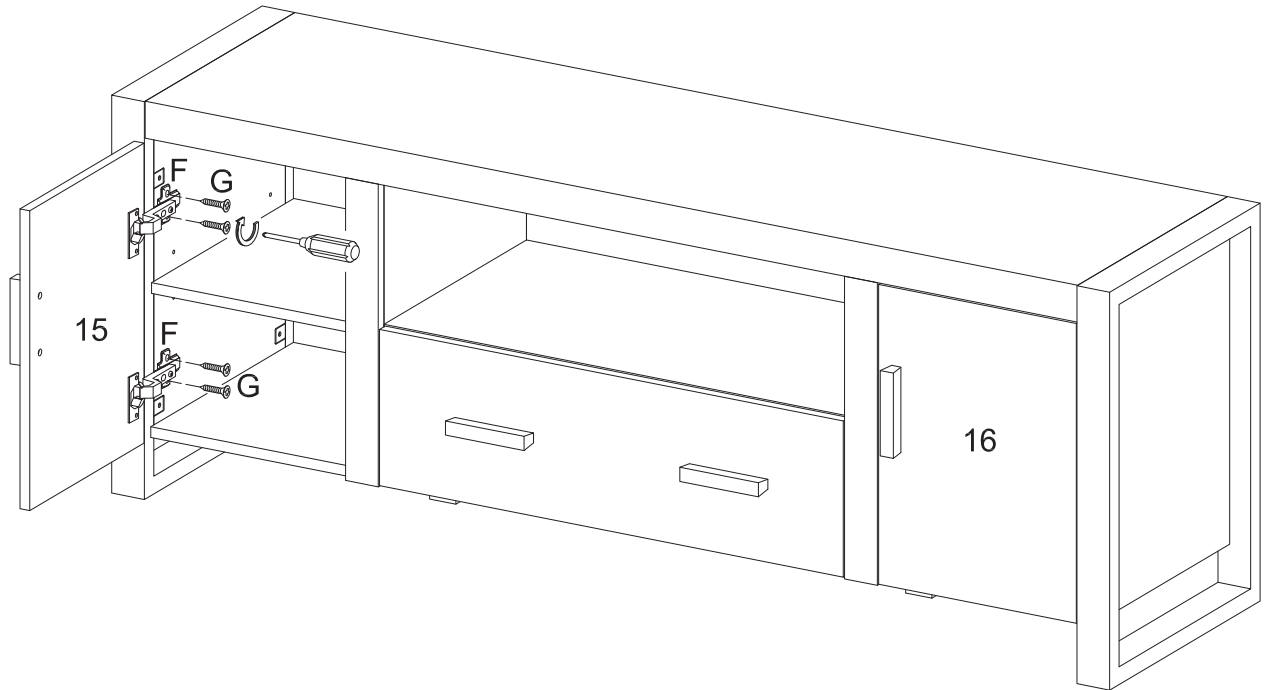
Insert Shelf Support Pin (K) into the unit and place the Shelf (10) on top

Step 20



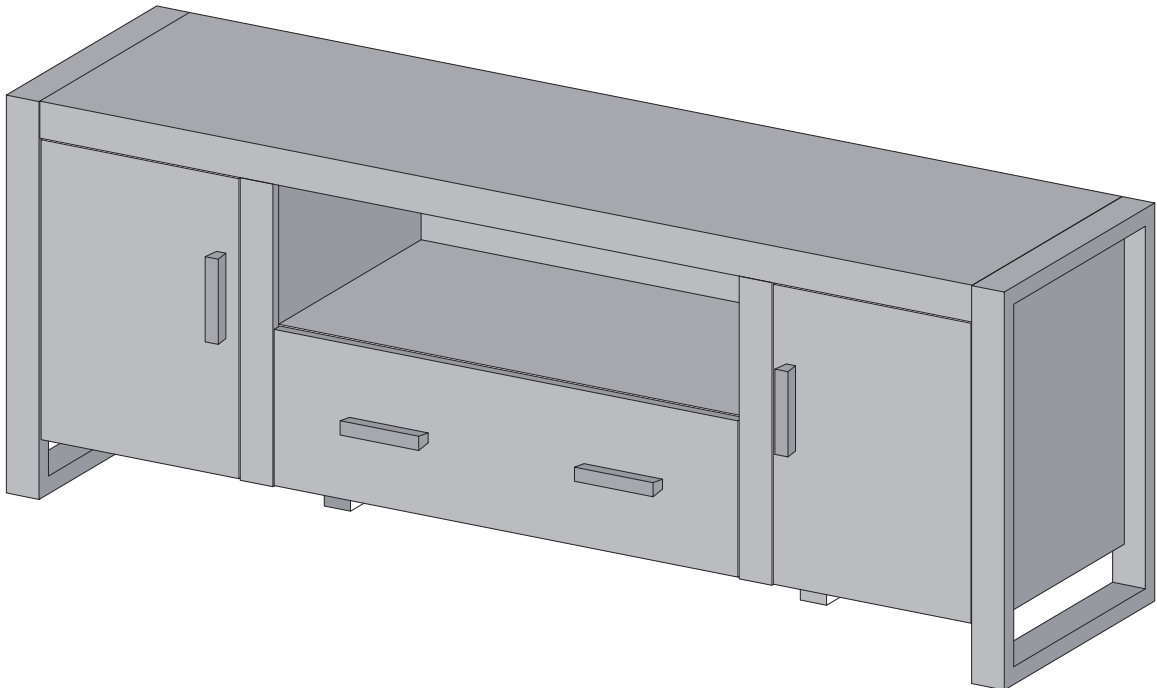
Attach the Hinge (F) into the Doors Panel (15)(16) and secure it by Screw (G), also please assemble the Handle (H) to the Door Panel by Bolts (J)

Step 21



Assemble the Doors (15)(16) to the unit by Screw (G)

Step 22



Final Assembly