



see what Delta can do™

WALL MOUNT TUB FILLER

■ Tetra™ Bath Collection

FEATURES:

- Lumicoat™ Finish (-PR models only)
- Lumicoat™ Finishes easily wipe clean without cleaners and chemicals on the products most commonly touched areas.

STANDARD SPECIFICATIONS:

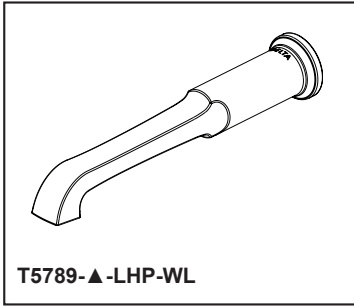
- Three hole wall mount
- Solid brass fabricated body
- 1/4 turn stops
- Red/blue glide rings optional, included
- Accommodates wall thicknesses from 1/8" to 3 3/4"
- Cartridges ship with rough
- 1/2"-14 NPT threaded female inlets
- Rough-In R3500-WL required for installation
- LHP - less Handle program. See handle options below.

WARRANTY

- Parts and Finish - Lifetime limited warranty; or for commercial purchasers, 10 years for multi-family residential (apartments and condominiums) and 5 years for all other commercial uses, in each case from the date of purchase.
- Electronic Parts and Batteries (if applicable) - 5 years from the date of purchase; or for commercial purchasers, 1 year from the date of purchase. No warranty is provided on batteries.

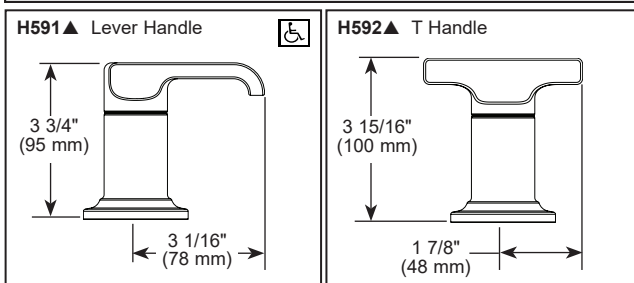
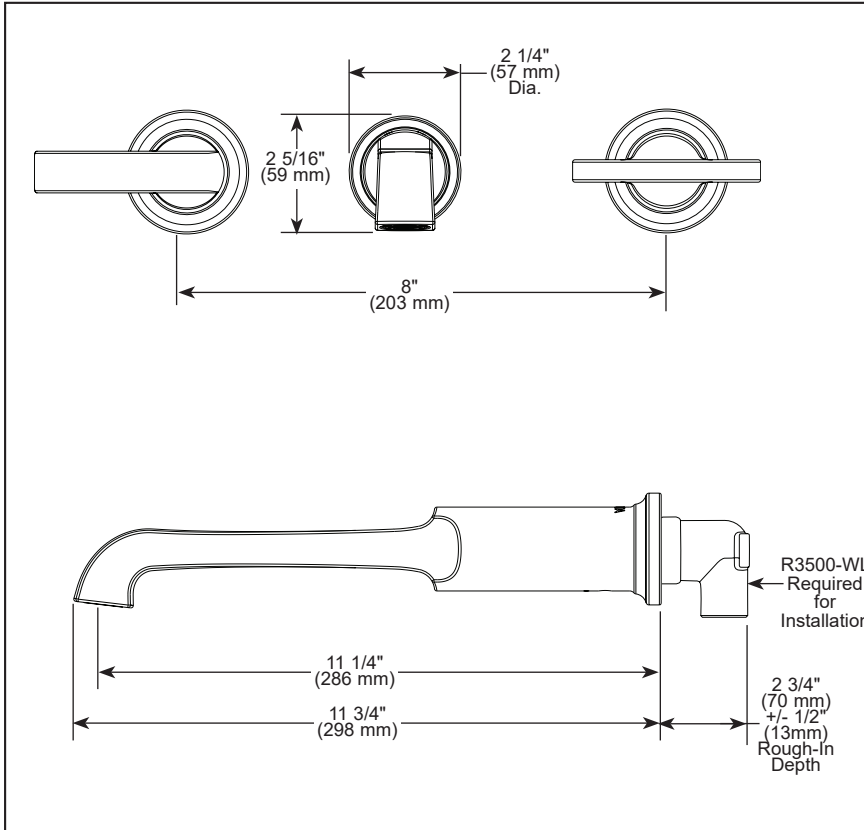
COMPLIES WITH:

- ASME A112.18.1 / CSA B125.1



Submitted Model No.: _____

Specific Features: _____



▲ Designate Proper Finish Suffix