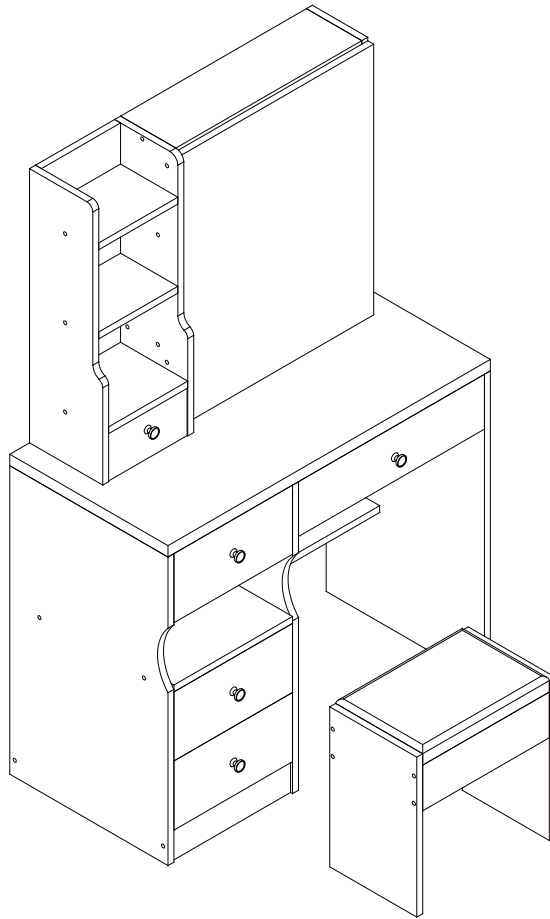


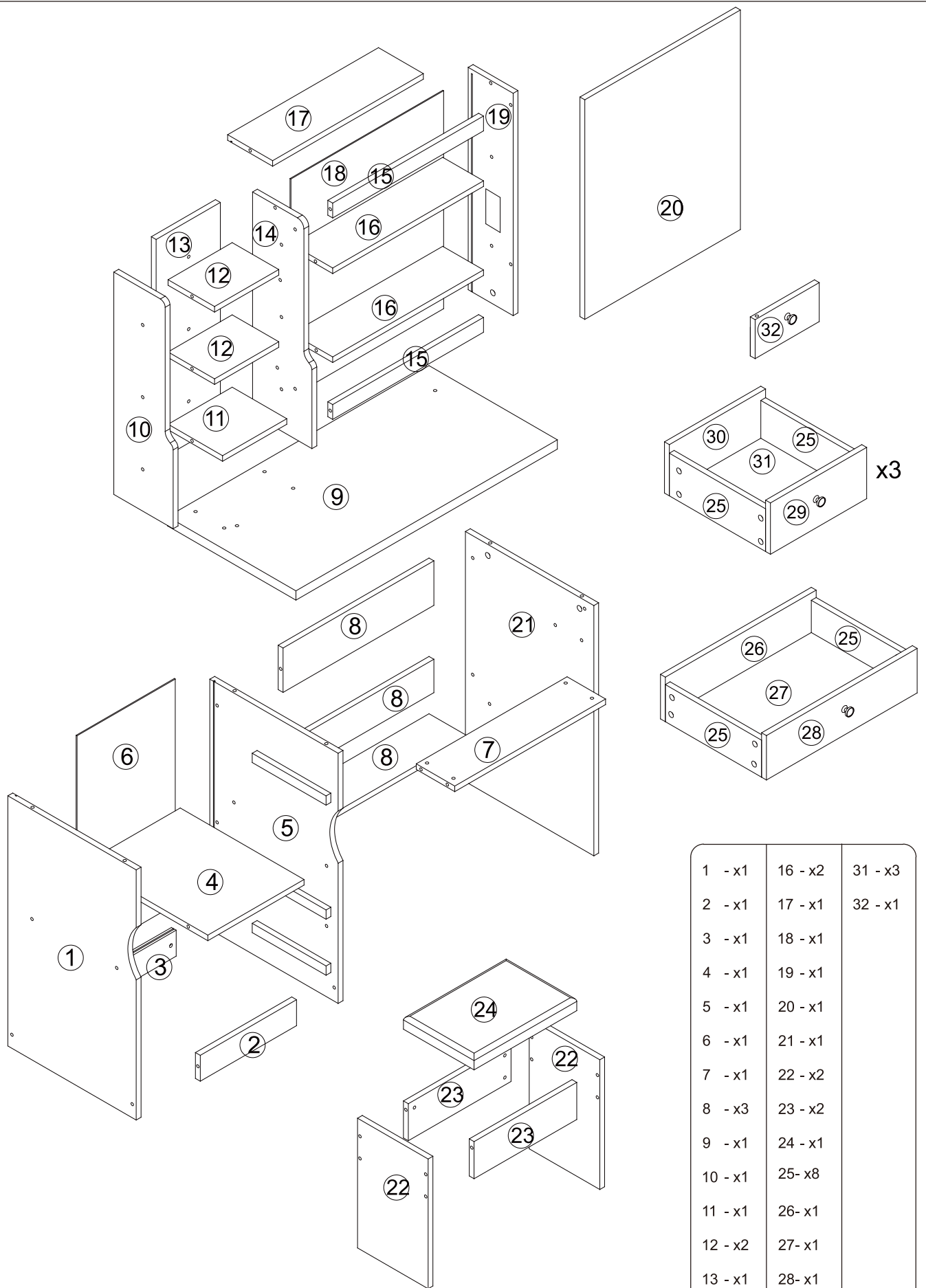
CRAZY ELF vanity table

**T68S-W, T68S-B, T68S-W-L, T68S-B-L,
T68S-W-LS, T68S-B-LS**

INSTALLATION MANUAL



**T68 is type name, S is small size, W is white,
B is black, L is light, S is socket.**



1 - x1	16 - x2	31 - x3
2 - x1	17 - x1	32 - x1
3 - x1	18 - x1	
4 - x1	19 - x1	
5 - x1	20 - x1	
6 - x1	21 - x1	
7 - x1	22 - x2	
8 - x3	23 - x2	
9 - x1	24 - x1	
10 - x1	25 - x8	
11 - x1	26 - x1	
12 - x2	27 - x1	
13 - x1	28 - x1	
14 - x1	29 - x3	
15 - x2	30 - x3	

There are two T68s, one with a revolving cabinet door on the left table and the other with a small drawer, the rest are exactly the same. This manual is for the revolving cabinet door model. If it is a small drawer model, simply replace the revolving cabinet door with the small drawer. The structure of the small drawer is as shown in Figure A, and the structure of the revolving cabinet door is as shown in Figure B

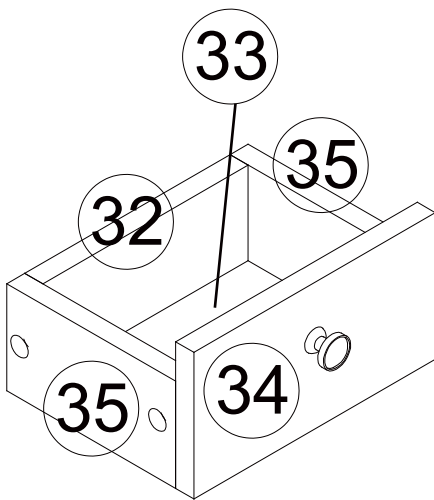


Figure A

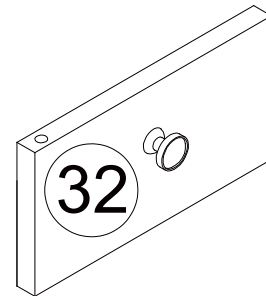
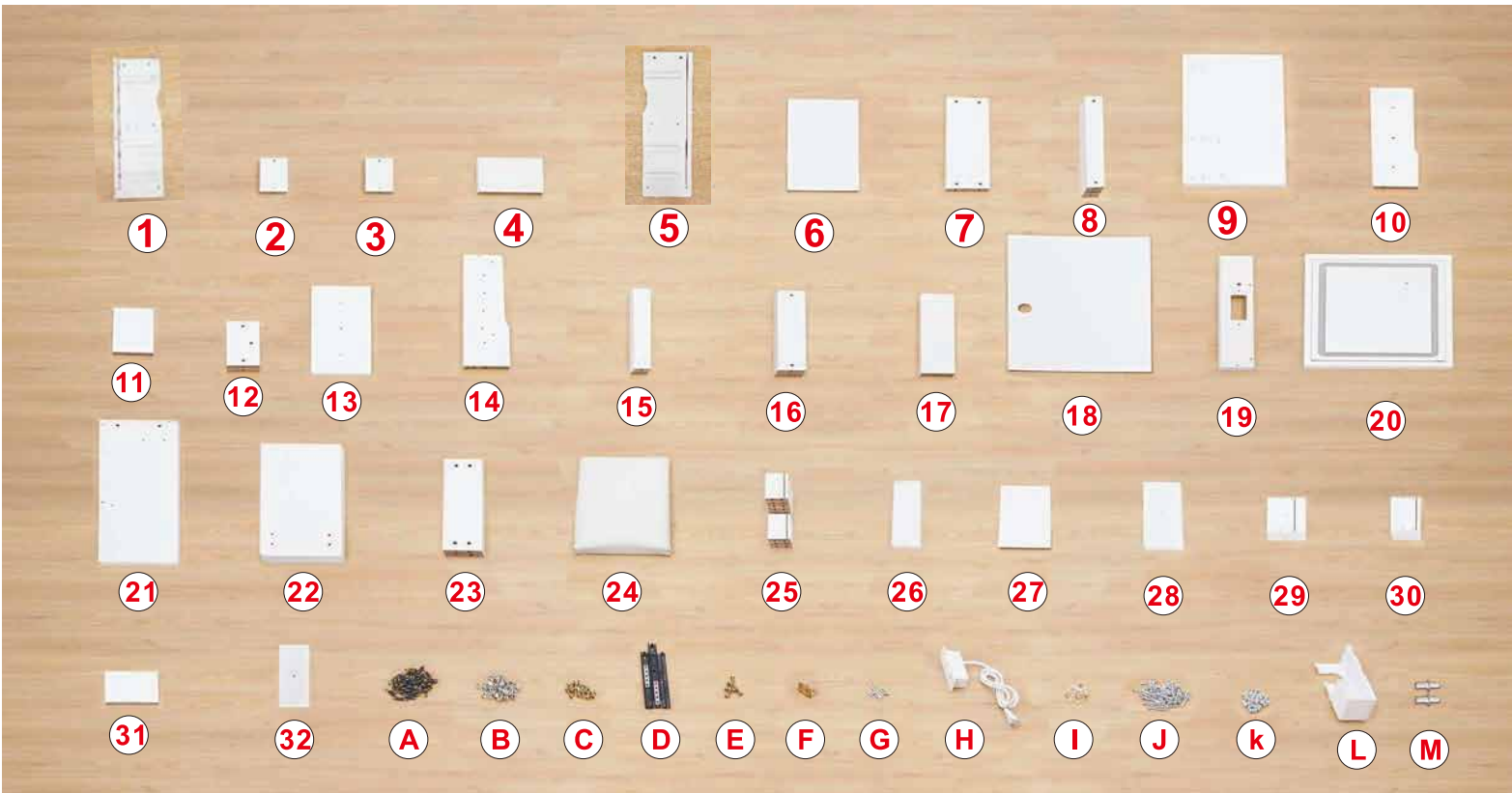


Figure B

Following picture shows the boards and hardware of white T68s.
 Please ignore the board color, just notice the shape and hole site to distinguish
 the different boards and hardware, then put it to the right place in order.





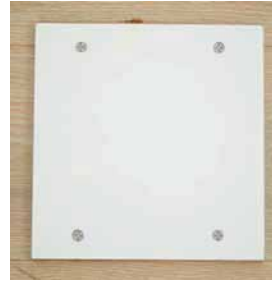
1 -x1



2 -x1



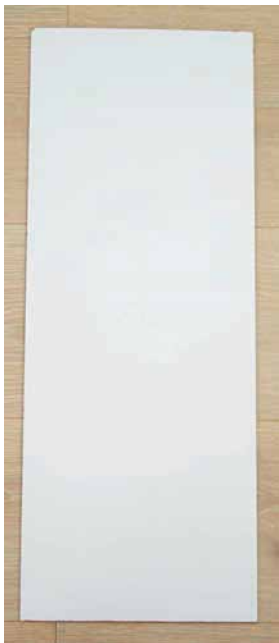
3 -x1



4 -x1



5 -x1



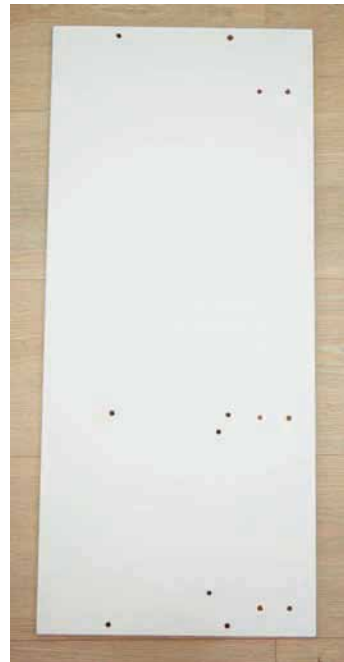
6 -x1



7 -x1



8 -x3



9 -x1



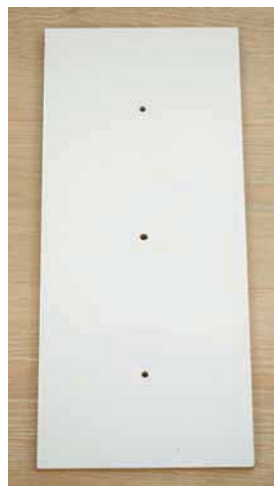
10 -x1



11 -x1



12 -x2



13 -x1



14 -x1



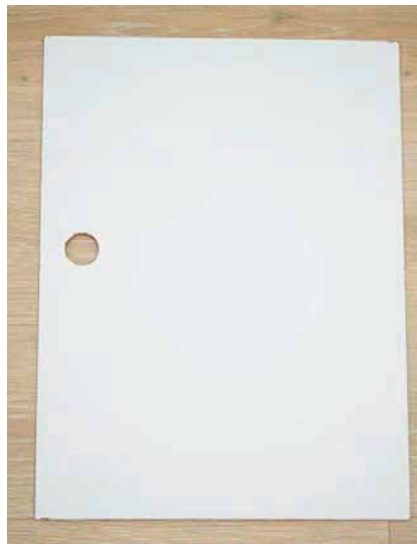
15-x2



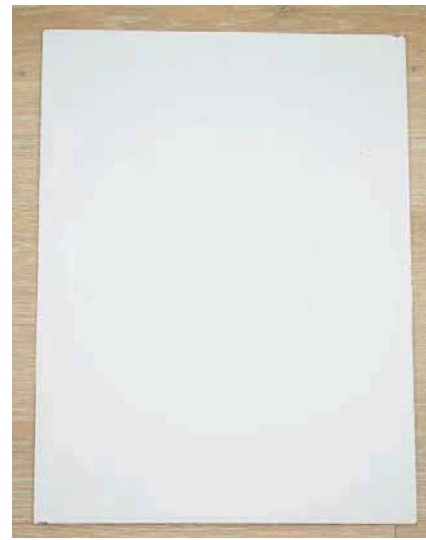
16-x2



17-x1



for build-in
socket



18-x1

for not build-in
socket



for build-in
socket

19-x1

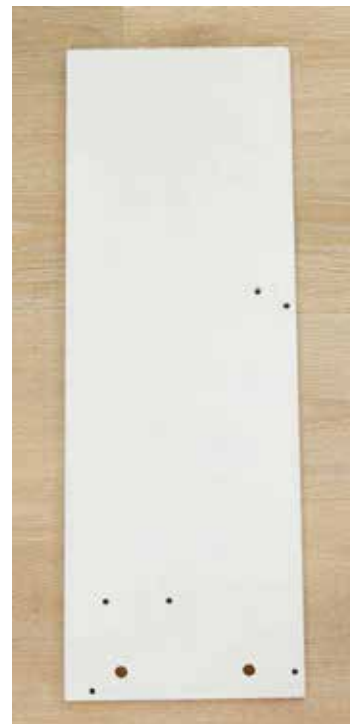


for not build-
in socket

23-x2



20-x1



21-x1



22-x2



23-x2



24-x1



25-x8



26-x1



27-x1



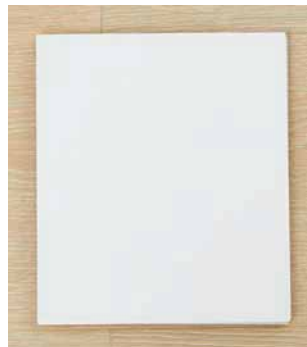
28-x1



29-x3



30-x3



31-x3



32-x1

hardware



A	screw	x44
---	-------	-----



B	metal LOCK	x44
---	------------	-----



C	SCREW	x12
---	-------	-----



D	GUIDE RAIL	x2
---	------------	----



E	HANDLE SCREW	x5
---	--------------	----



F	L PLATE	x2
---	---------	----



G	screw	x9
---	-------	----



H	SOCKET	x1
---	--------	----



L	SCREW	x5
---	-------	----



J	SCREW	x47
---	-------	-----



K	PLASTIC LOCKS	x47
---	---------------	-----



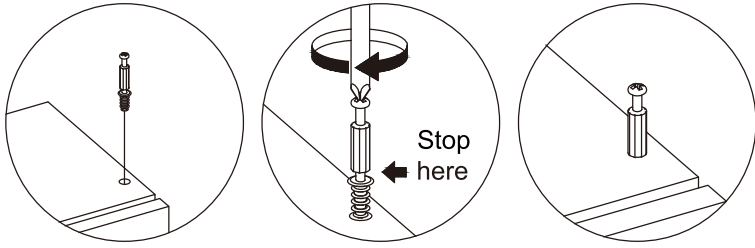
I	HAIR DRYER STAND	x1
---	------------------	----



M	PIVOT PIN	x2
---	-----------	----

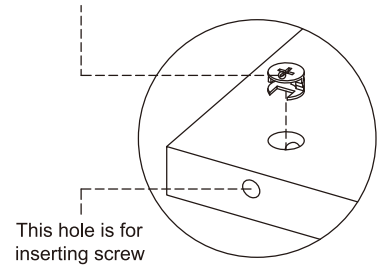
1. Screw installation method

When the screw is installed, please keep it in line with the board, and do not tighten it too tightly

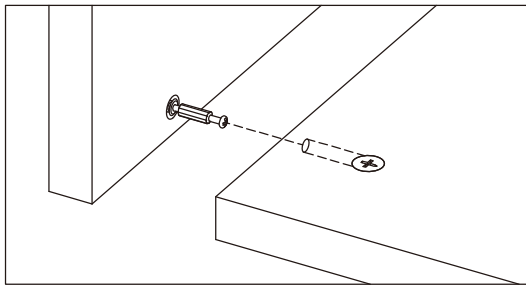


2. Check the Nut direction

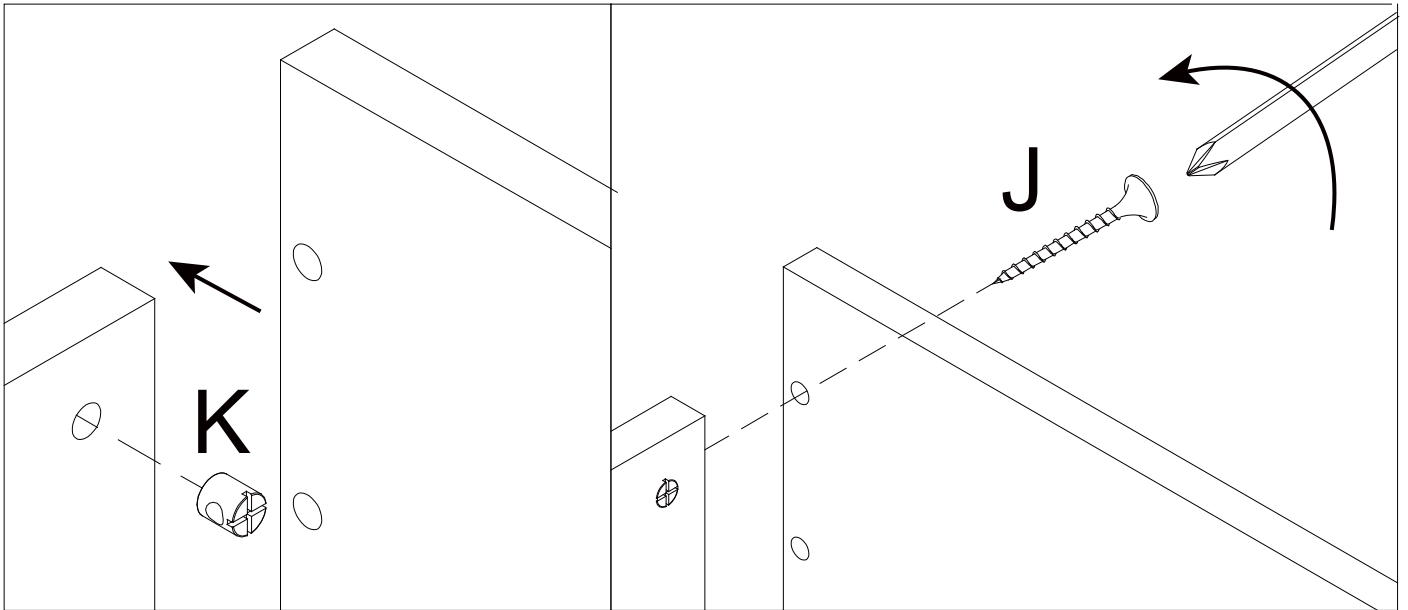
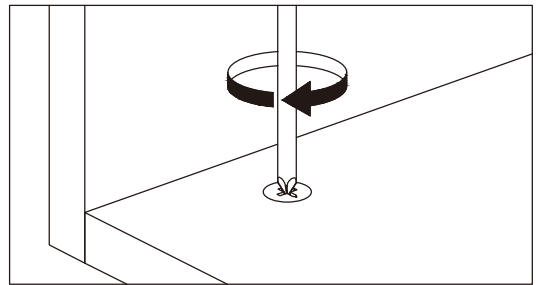
This direction of the marked nut is consistent with the direction in which the screw is inserted



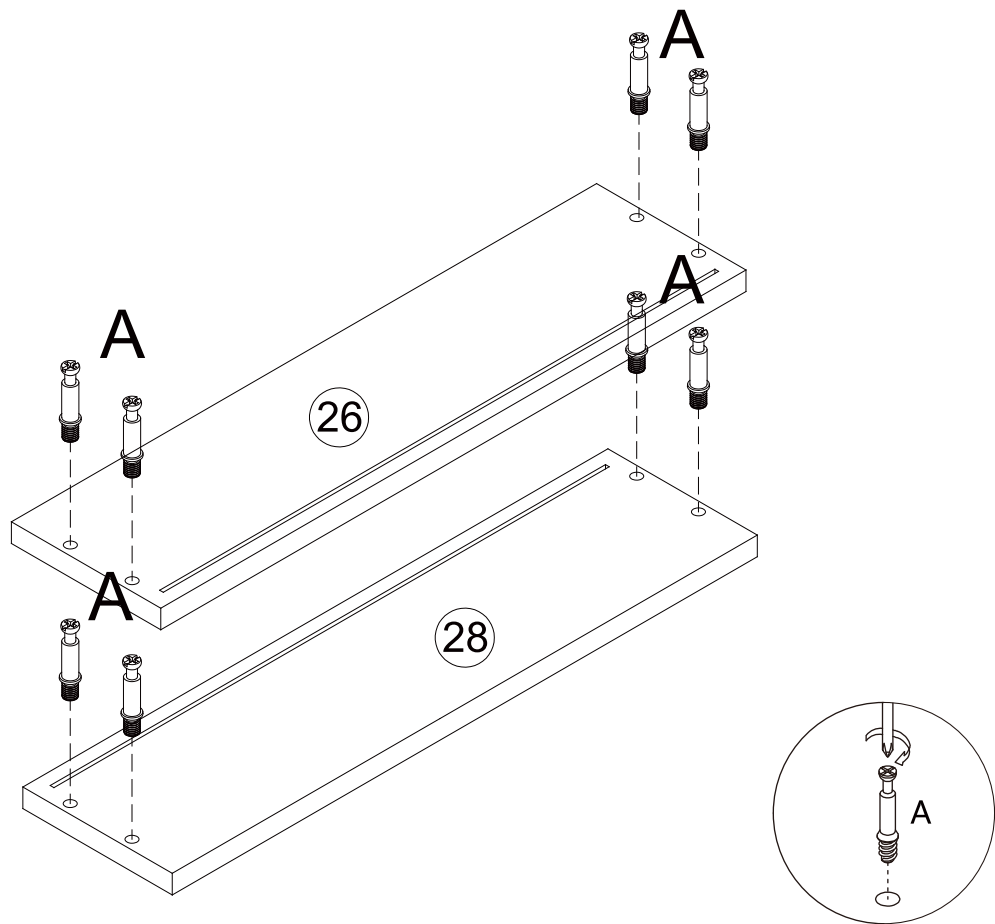
3. Installation on the board with fixing screws



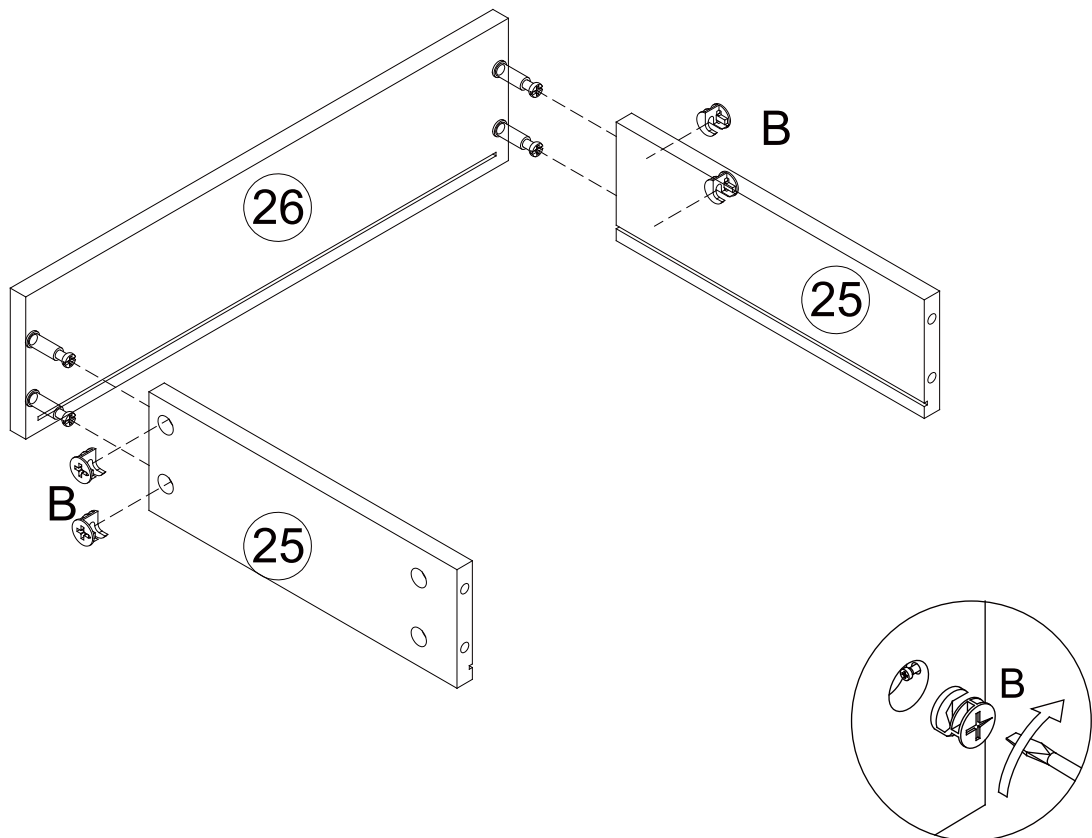
3. Rotate slowly until it stops



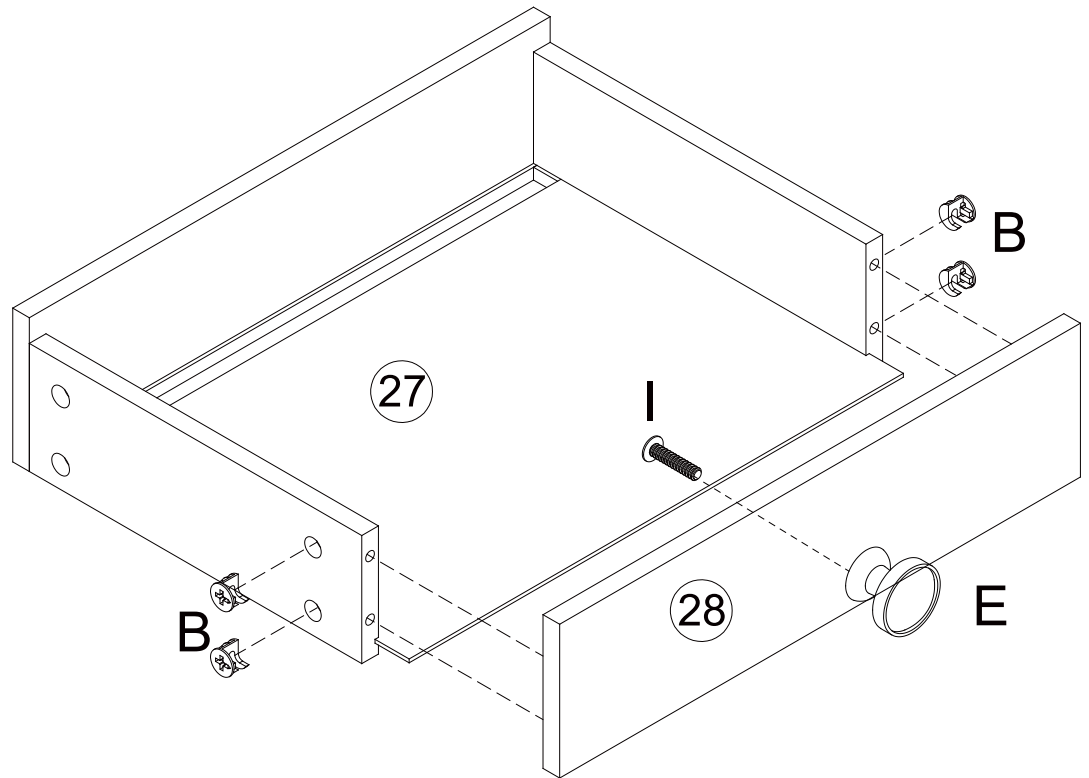
Step 01



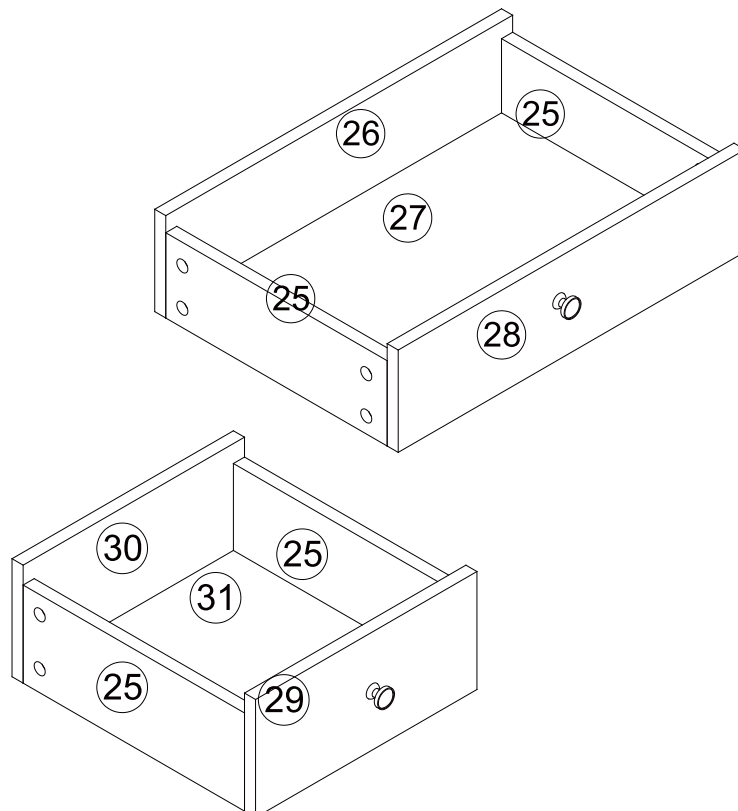
Step 02



Step 03

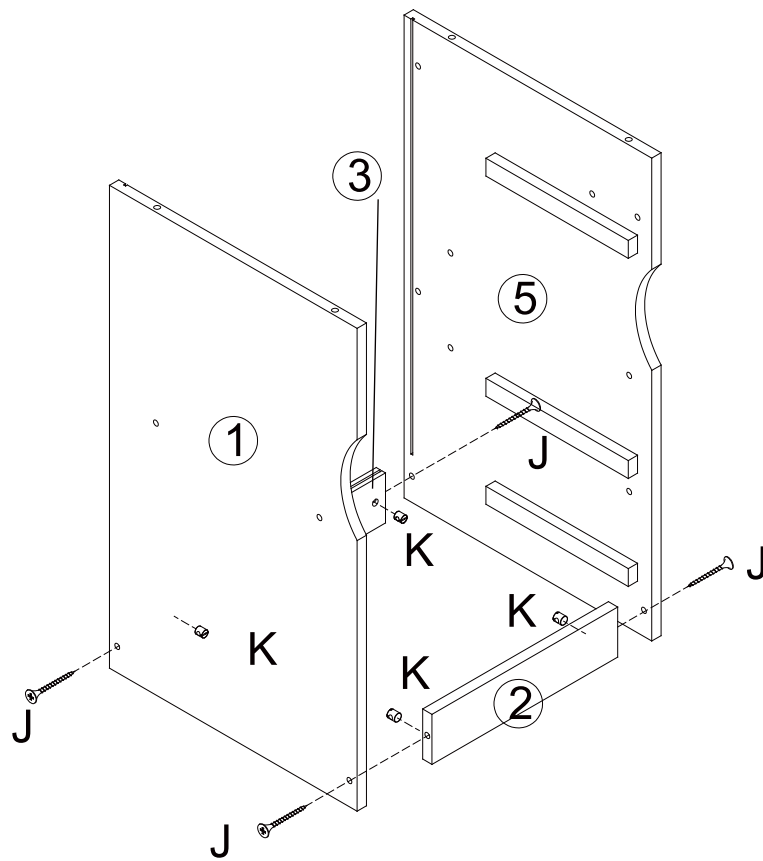


Step 04

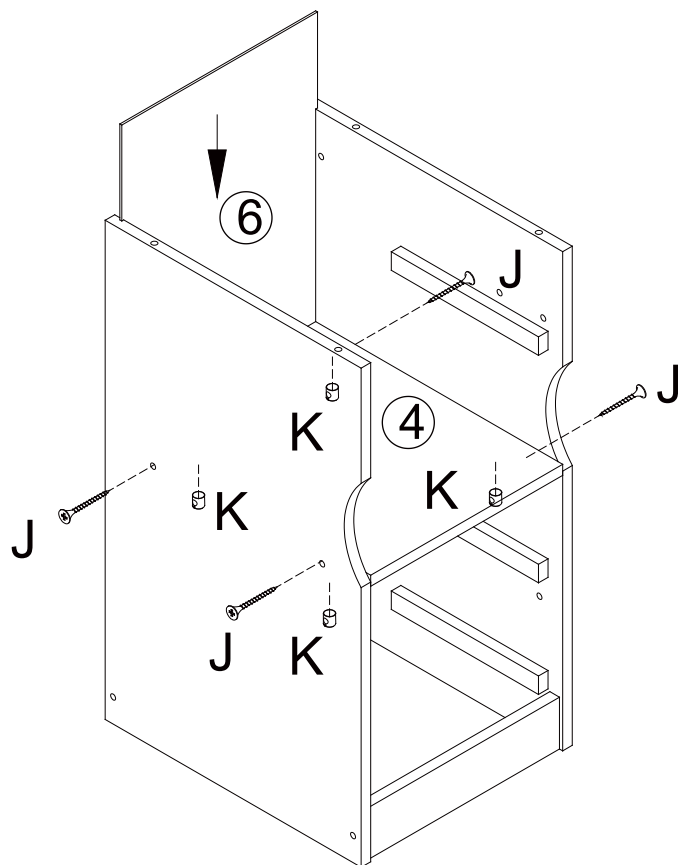


Three drawers are installed in the same way

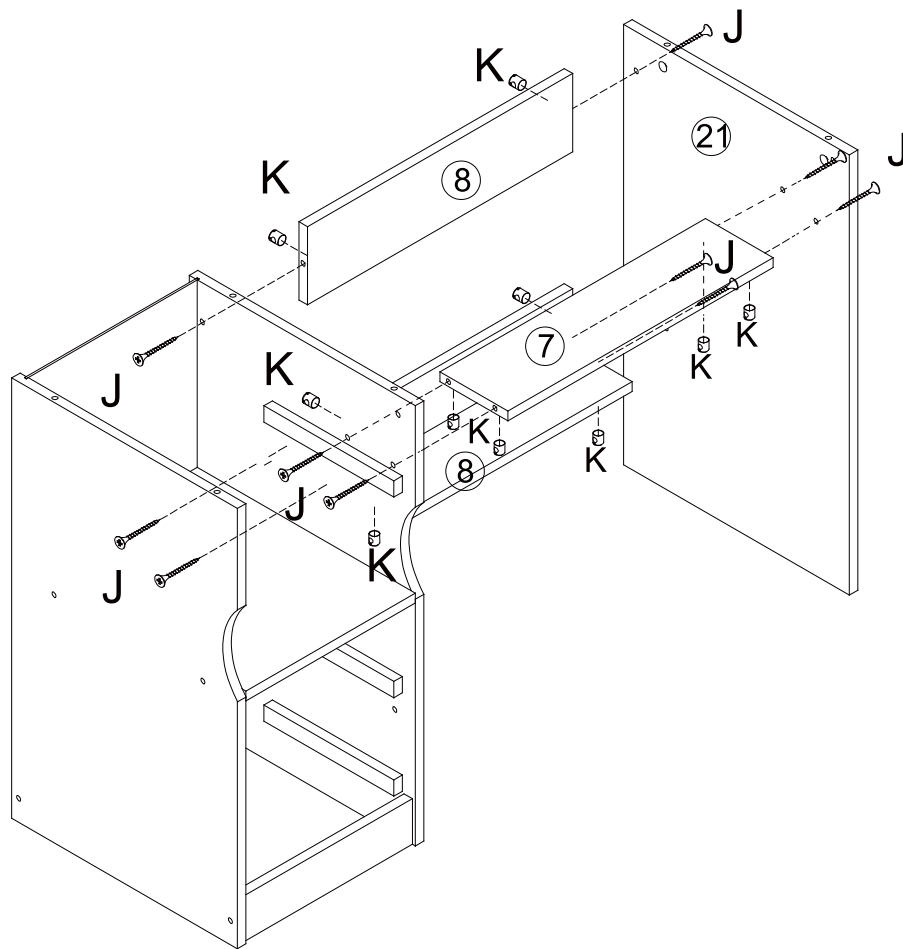
Step 05



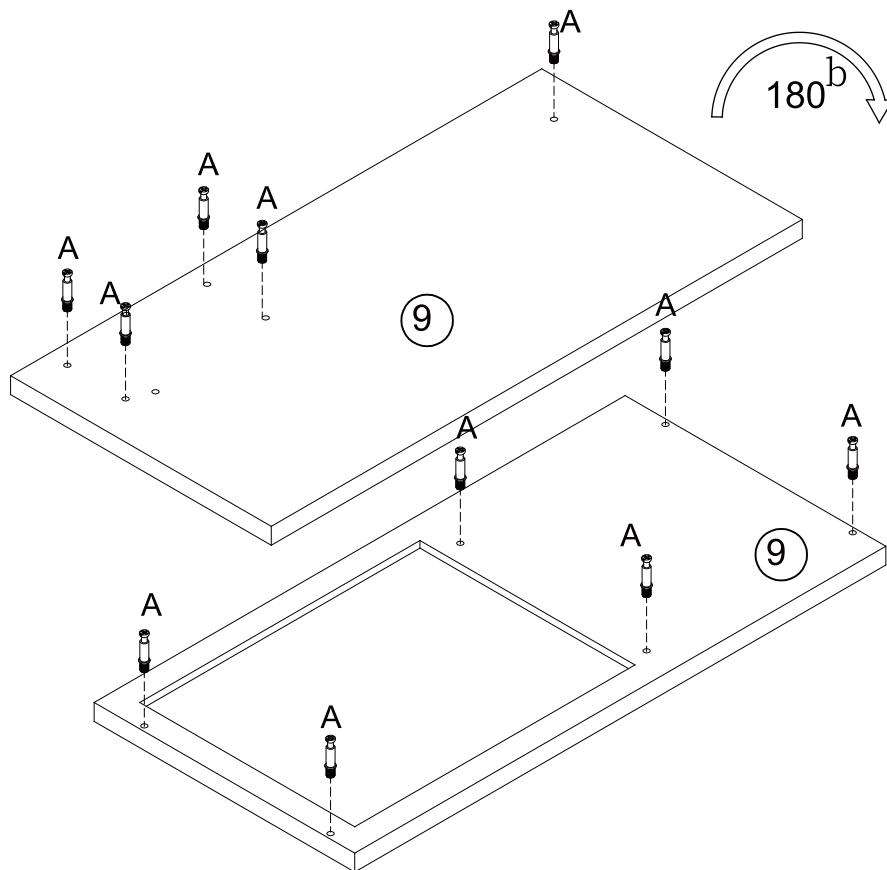
Step 06



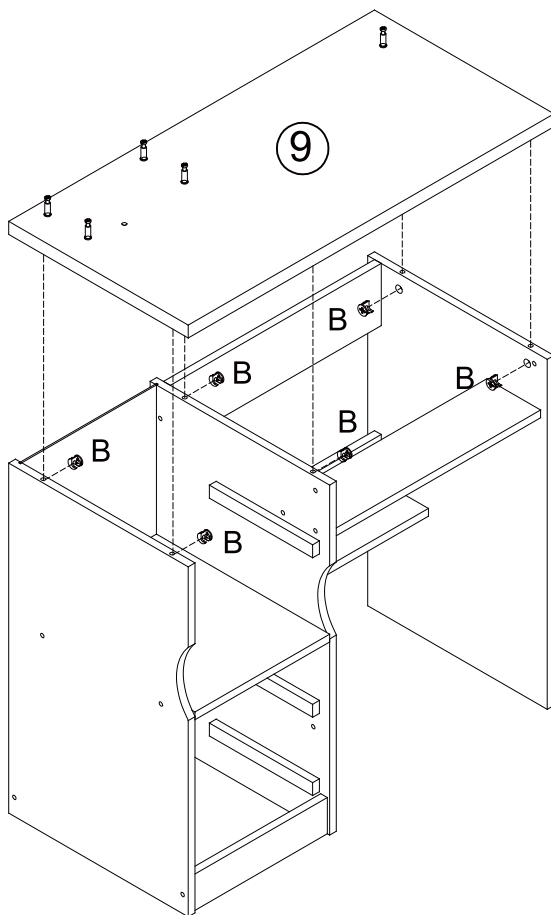
Step 07



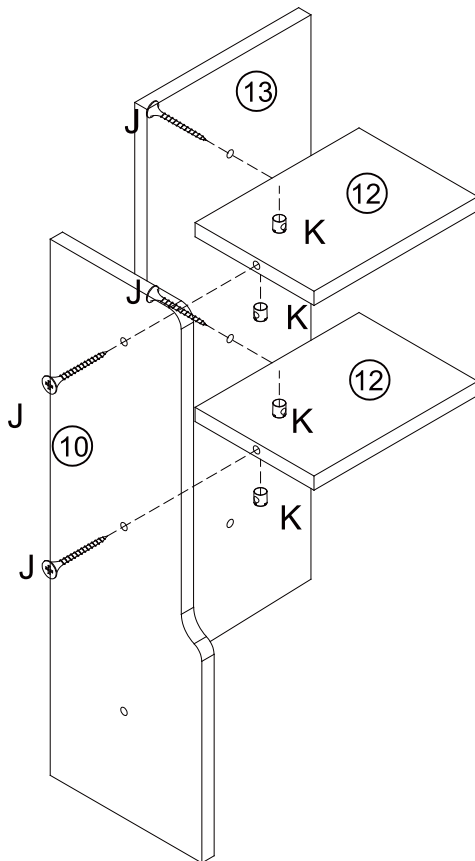
Step 08



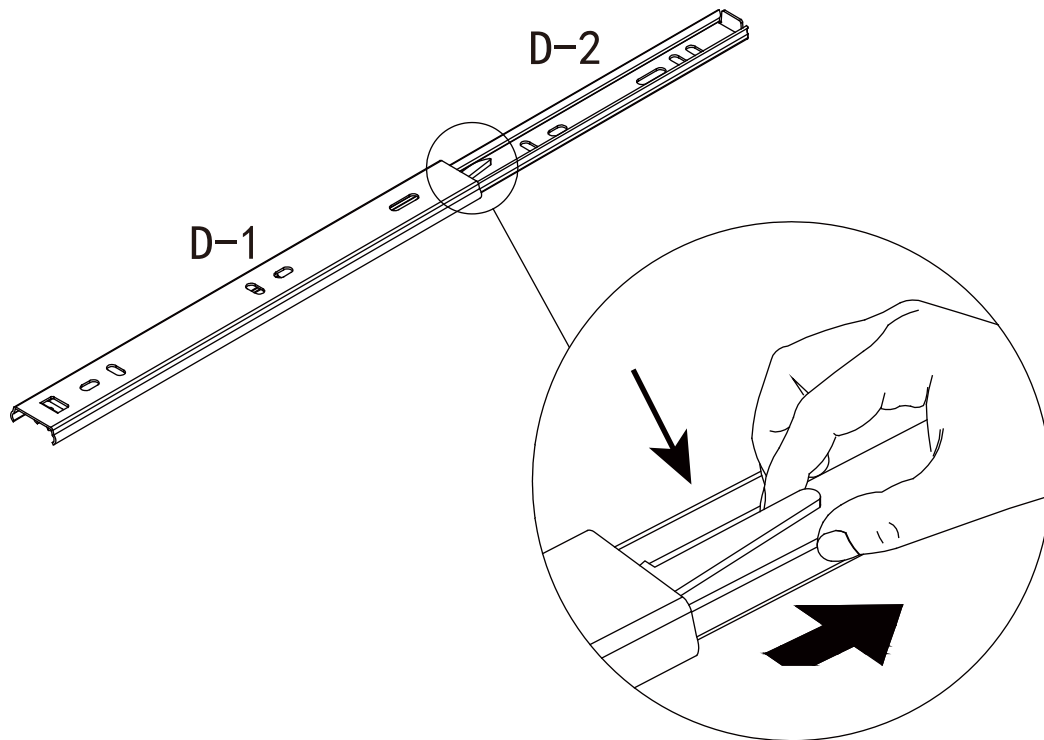
Step 09



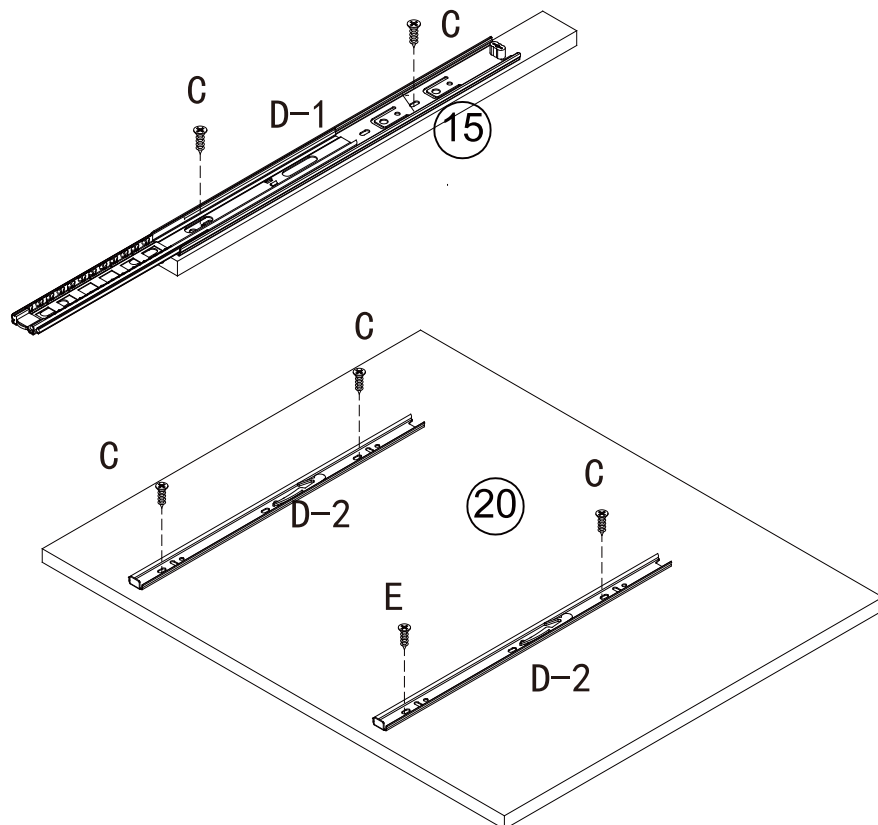
Step 10



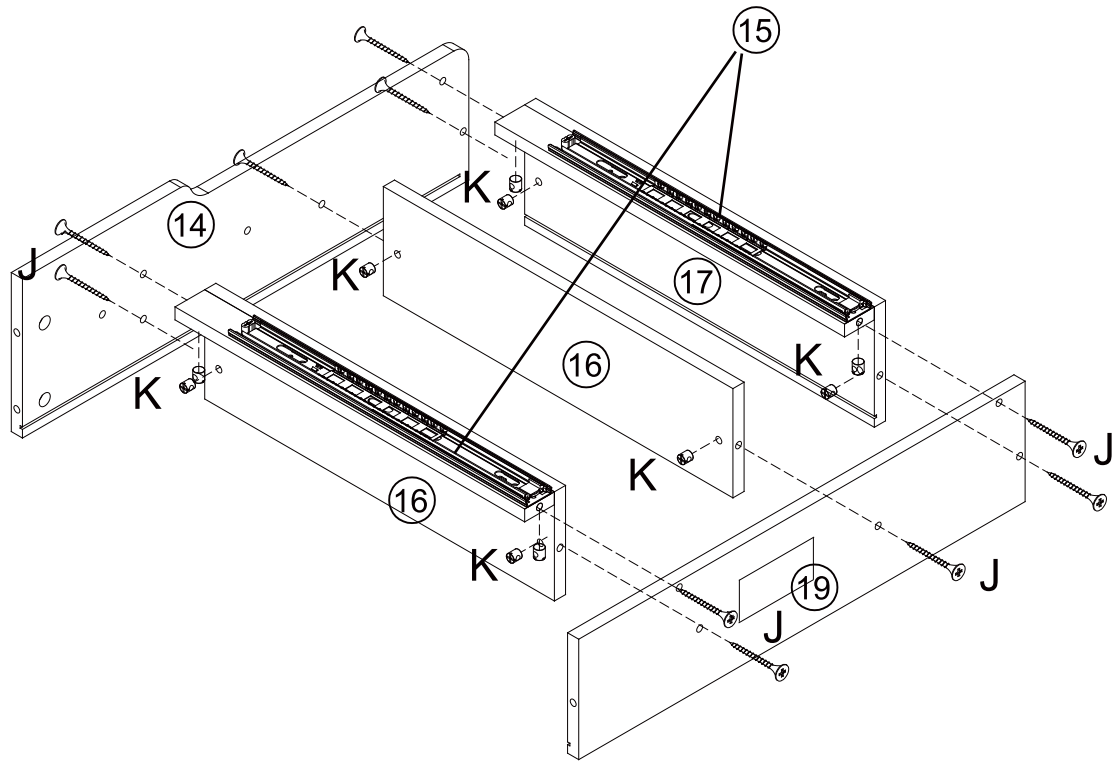
Step 11



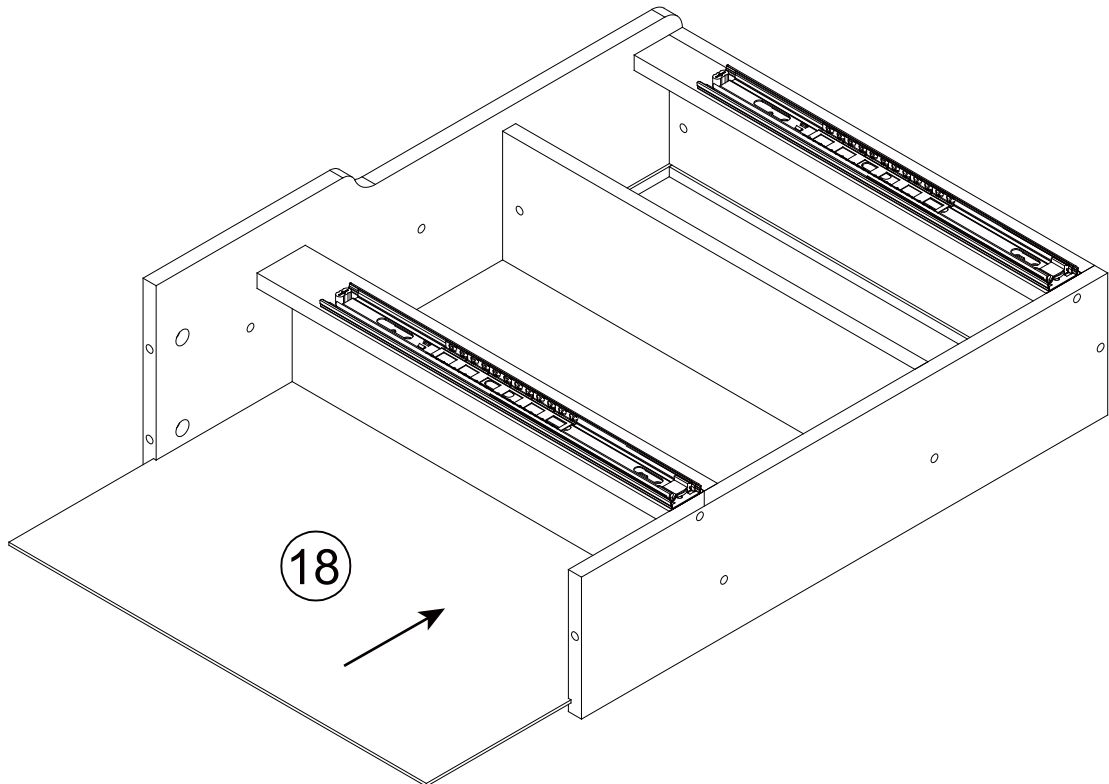
Step 12



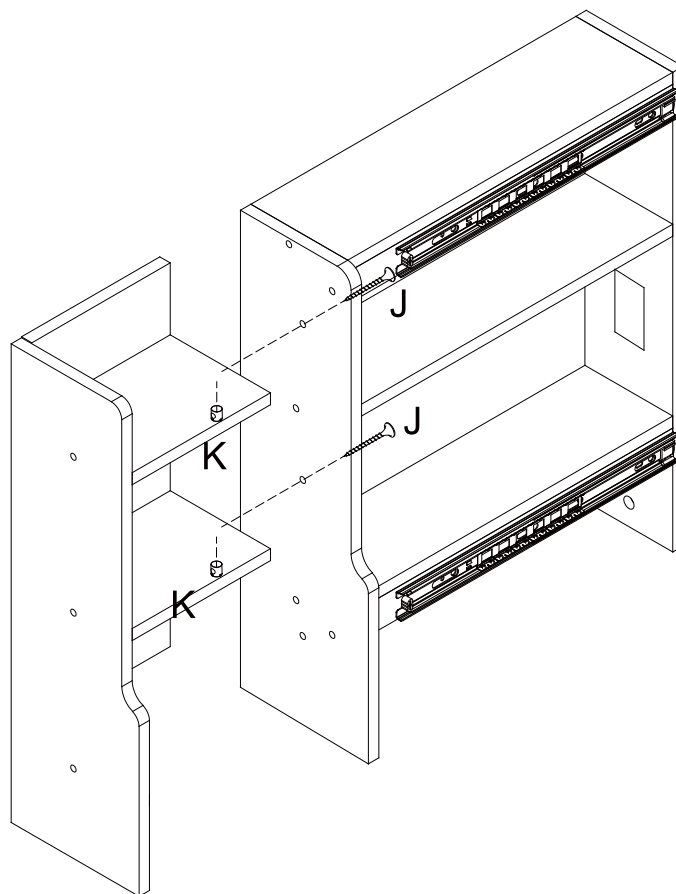
Step 13



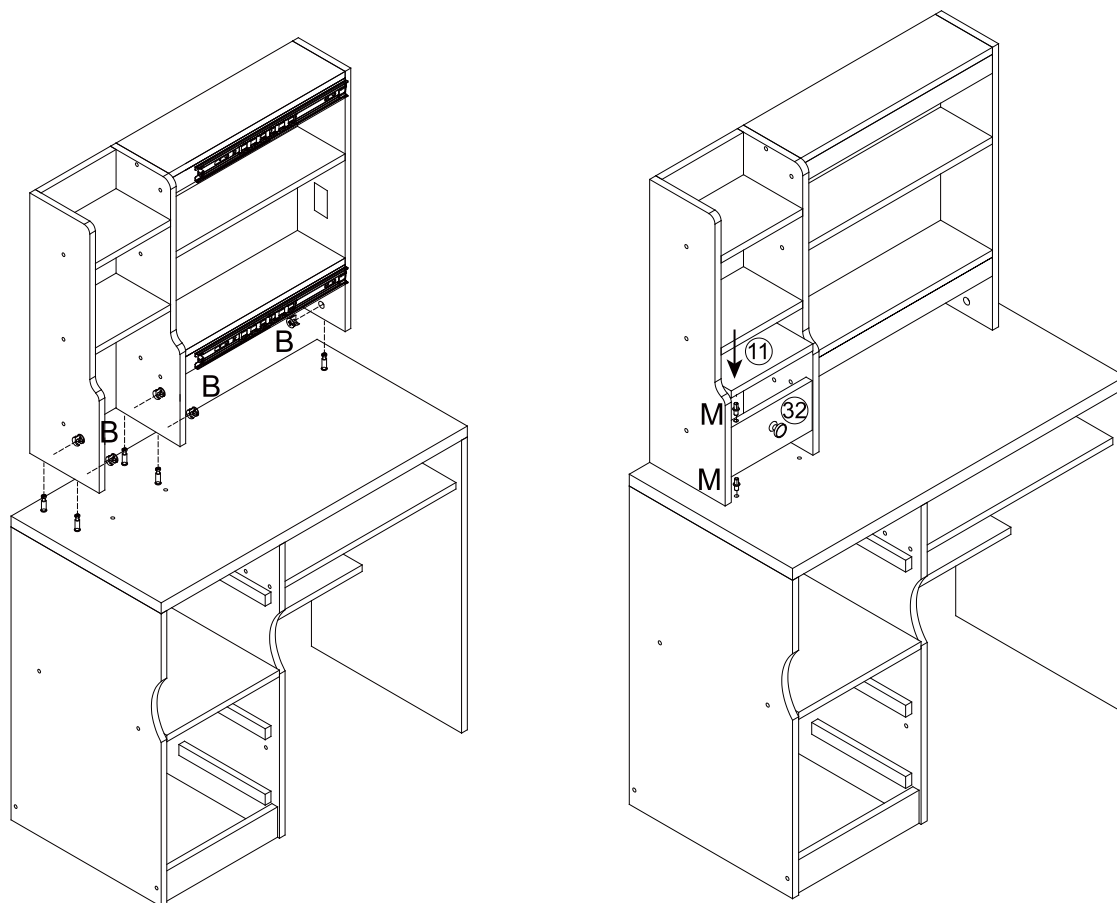
Step 14



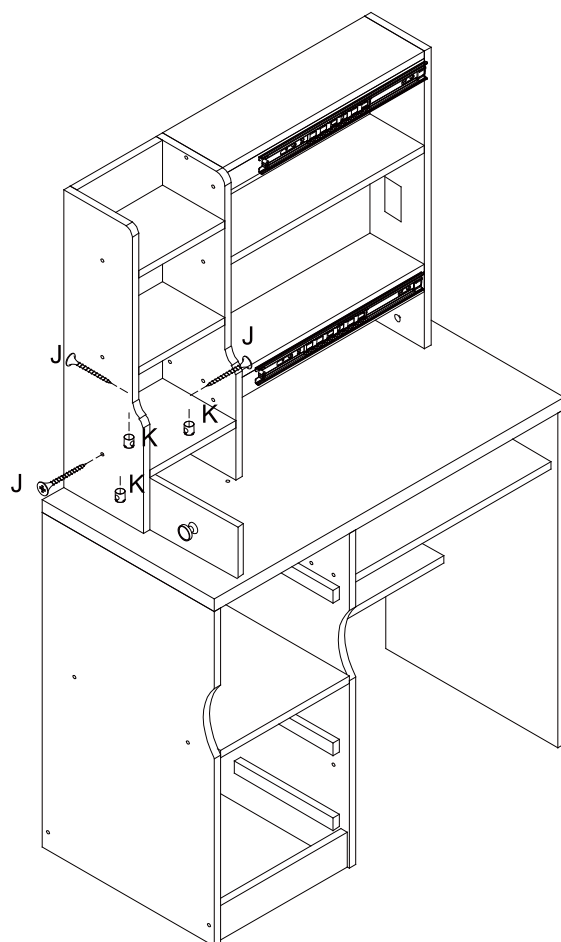
Step 15



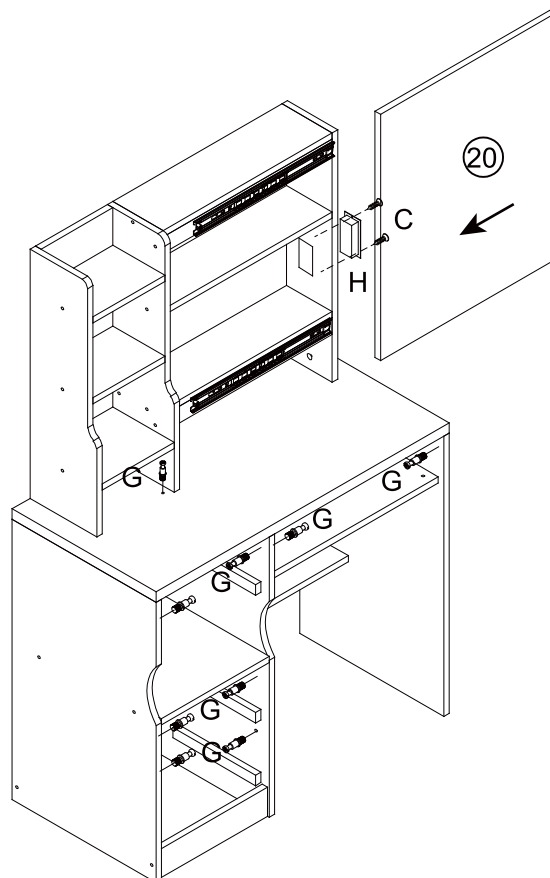
Step 16



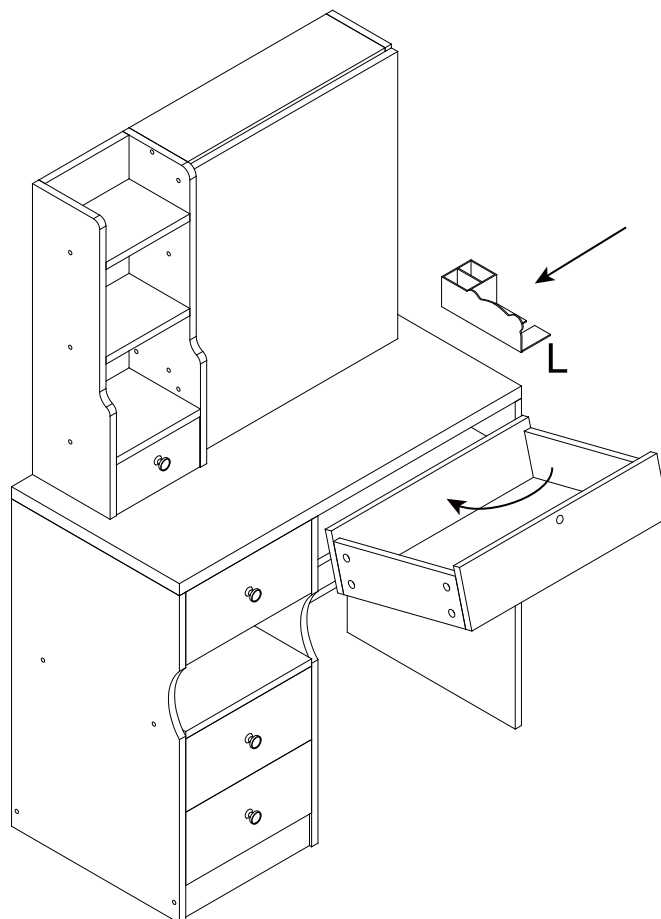
Step 17



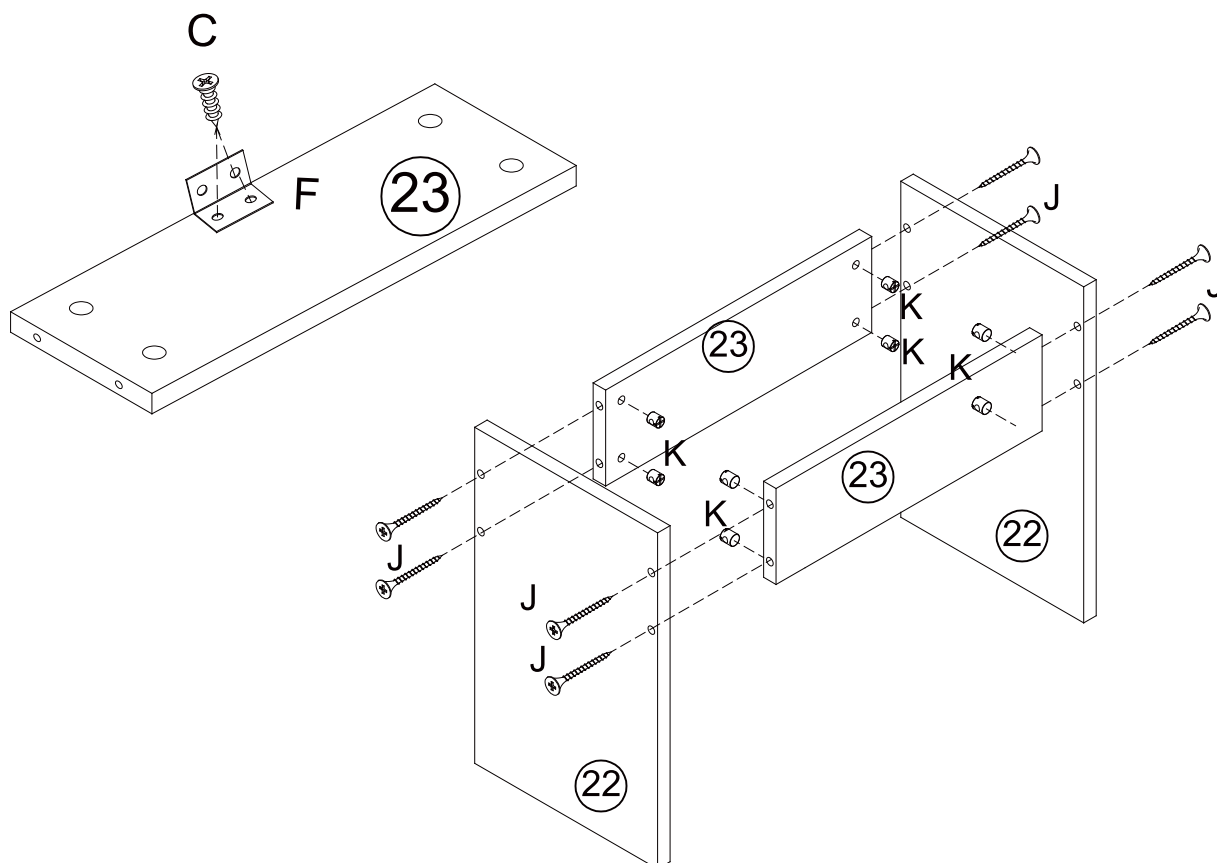
Step 18



Step 19



Step 20



Step 21

