



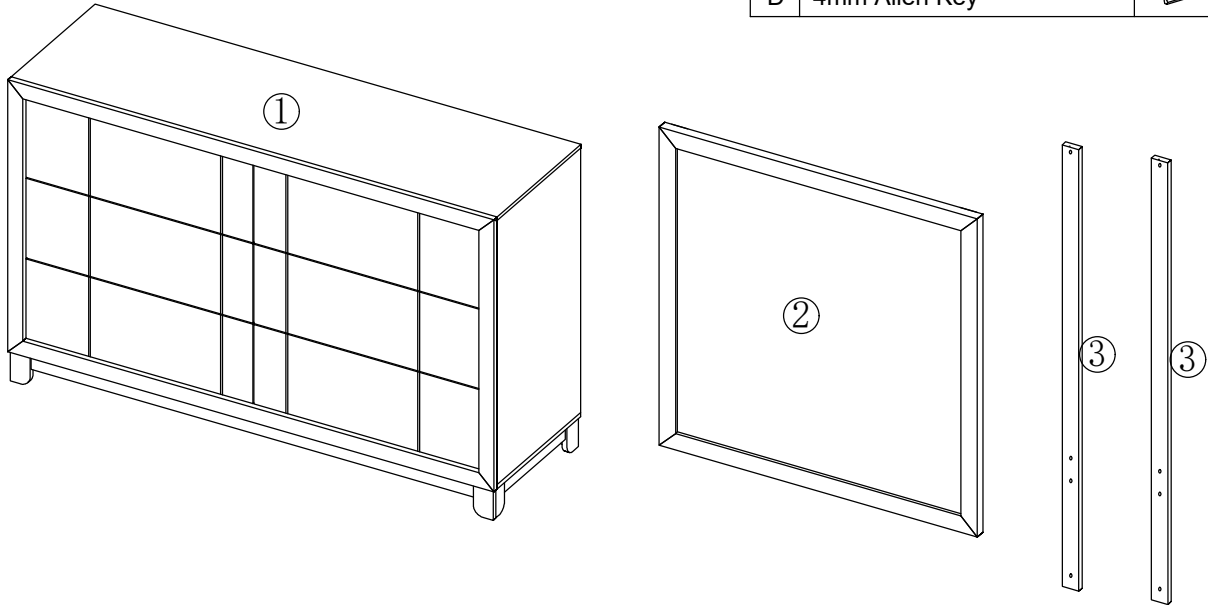


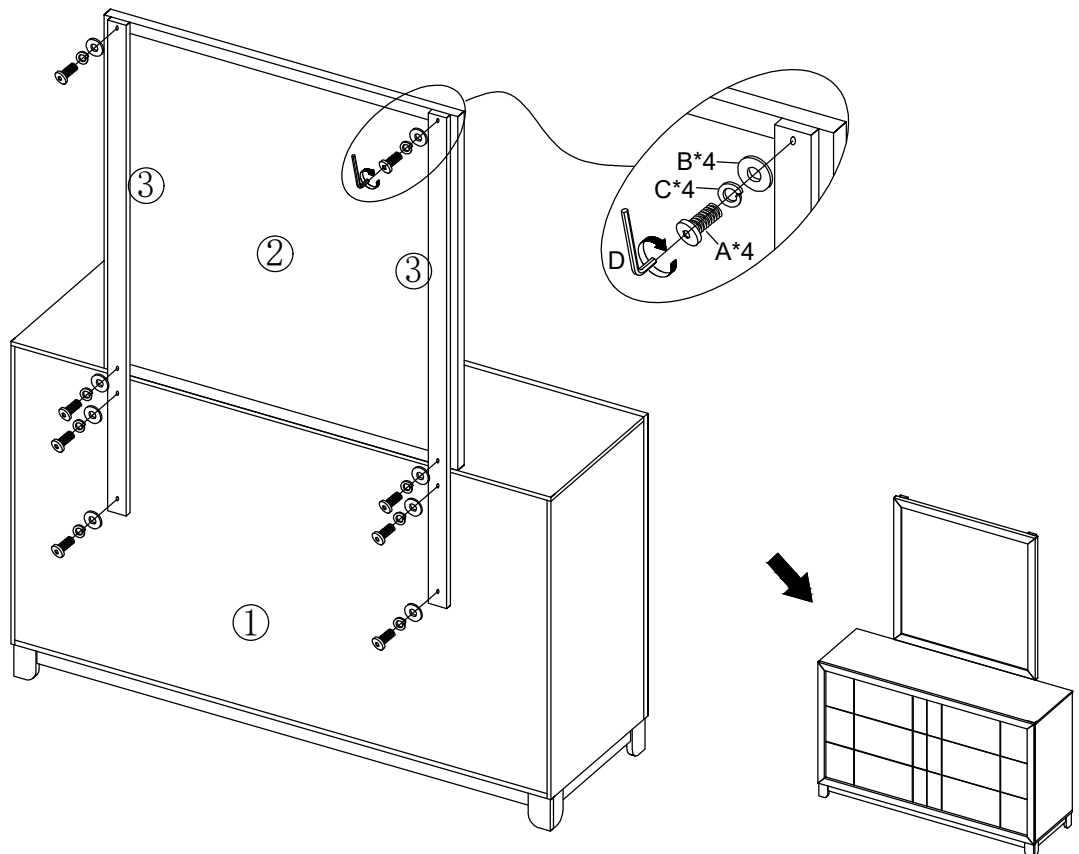
# 2031-Dresser Set Installation





## HARDWARE LISTS

| No. | DESCRIPTION      | FIGURE  | QTY |
|-----|------------------|---|-----|
| A   | M6x30 Bolt       |  | 8   |
| B   | M6 Flat Washer   |  | 8   |
| C   | M6 Spring Washer |  | 8   |
| D   | 4mm Allen Key    |  | 1   |



### Step 1



|   |    |
|---|----|
| A   | x8 |
|  |    |
| M6*30mm   |    |
| B   | x8 |
|  |    |
| M6mm  |    |
| C   | x8 |
|  |    |
| M6mm  |    |
| D   | x1 |
|  |    |
| 4mm   |    |