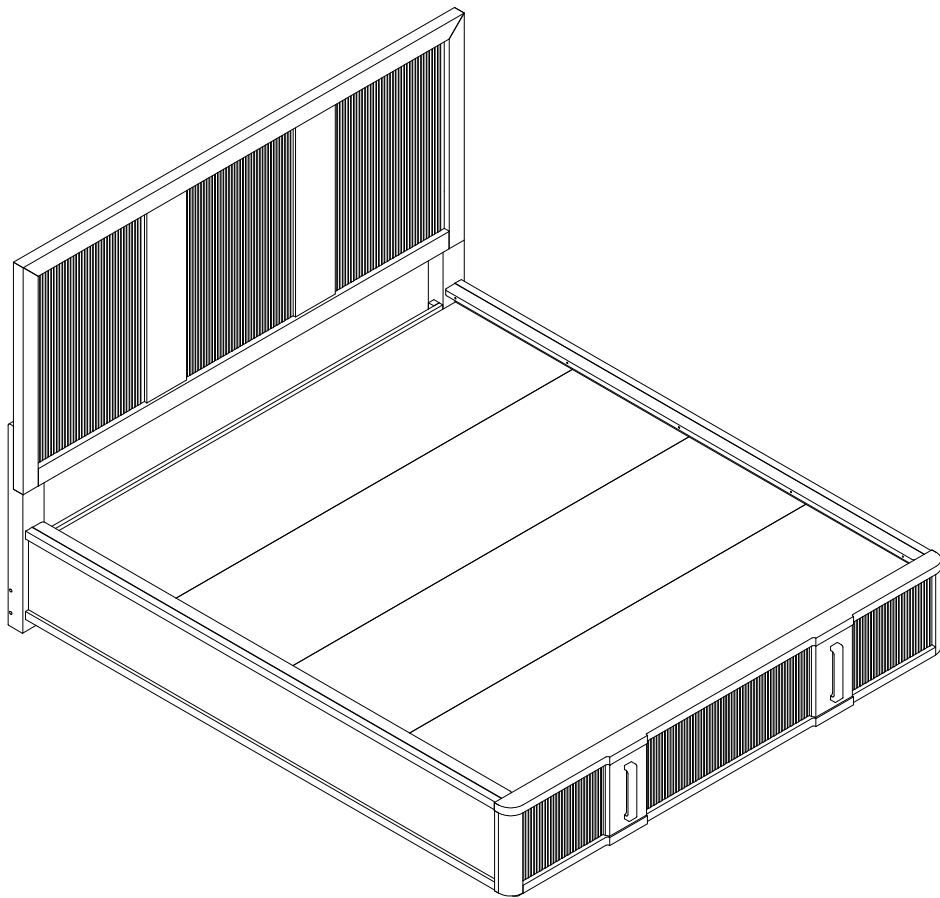


ASSEMBLY INSTRUCTIONS



Fine Furniture for every stage of life

California King Bed

ASSEMBLY INSTRUCTIONS

ASSEMBLY TIPS:

- 1.Remove hardware from box and sort by size.
- 2.Please check to see that all hardware and parts are present prior to start of assembly.
- 3.Please follow attached instructions in the same sequence as numbered to assure fast & easy assembly.



WARNING

- 1.Don't attempt to repair or modify parts that are broken or defective. Please contact the store immediately.
- 2.This product is for home use only and not intended for commercial establishments.



ASSEMBLY TIME

20 MINUTES

PARTS IDENTIFICATION

B1 (BOX 1)

A HEADBOARD PANEL		1PC	C RIGHT HEADBOARD LEG		1PC
B LEFT HEADBOARD LEG		1PC	D HEADBOARD BOTTOM RAIL		1PC

B2 (BOX 2)

E STORAGE FOOTBOARD		1PC	H BED SLAT SUPPORT WITH LEVELER		6PCS
F ROLL SLAT (13PCS)		1SET	I CONCEAL PANEL		4PCS
G CENTER RAIL SUPPORT WITH LEVELER		3PCS			

B3 (BOX 3)

J BED RAIL		2PCS	K CENTER RAIL		1PC
HB FROM BOX 1 HEADBOARD COMPLETE		1PC	E FROM BOX 2 FOOTBOARD		1PC

ASSEMBLY INSTRUCTIONS

ASSEMBLY TIPS:

1. Remove hardware from box and sort by size.
2. Please check to see that all hardware and parts are present prior to start of assembly.
3. Please follow attached instructions in the same sequence as numbered to assure fast & easy assembly.

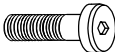



WARNING

1. Don't attempt to repair or modify parts that are broken or defective. Please contact the store immediately.
2. This product is for home use only and not intended for commercial establishments.

HARDWARE IDENTIFICATION

BOX 1 - HARDWARE PACK

1 **BOLT**
(5/16" x 38mm - RBW)  12PCS

2 **LOCK WASHER**
(5/16" - RBW)  12PCS

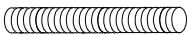
3 **FLAT WASHER**
(5/16" x 19 x 1.5mm - RBW)  12PCS


4 **ALLEN WRENCH**
(74 x 30 x 4mm - RBW)  1PC


BOX 2 - HARDWARE PACK

5 **FLAT HEAD SCREW**
(4 x 32mm - RBW)  6PCS

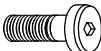
BOX 3 - HARDWARE PACK

6 **THREADED BOLT**
(5/16" x 75mm - RBW)  8PCS

7 **U-SQUARE WASHER**
(25 x 15 x 2mm - RBW)  8PCS

8 **HEX NUT**
(5/16" x 17mm - RBW)  8PCS

9 **WRENCH**
(13MM - RBW)  1PC

10 **BOLT**
(1/4 x 25mm - RBW)  2PCS

11 **LOCK WASHER**
(1/4" - RBW)  2PCS

12 **FLAT WASHER**
(1/4" x 19 x 1.5mm - RBW)  2PCS

13 **ALLEN WRENCH**
(74 x 30 x 4mm - RBW)  1PC

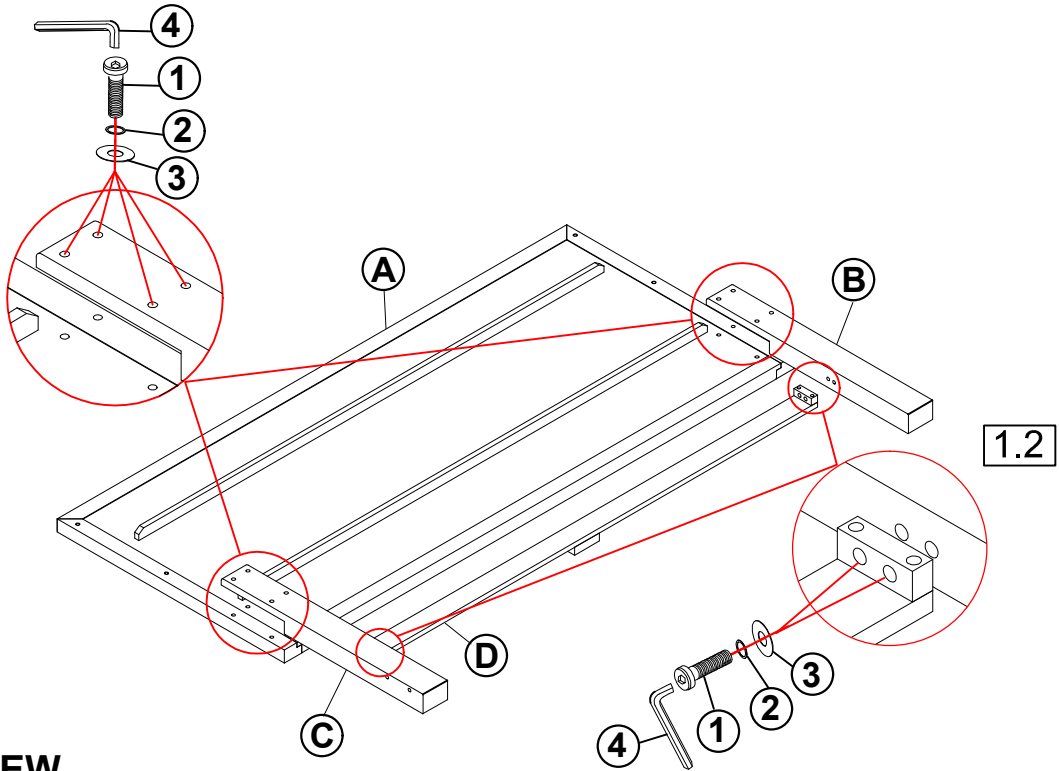
NOTE:

Phillips head screw driver is required in the assembly process; however, manufacturer does not provide this item.

ASSEMBLY INSTRUCTIONS

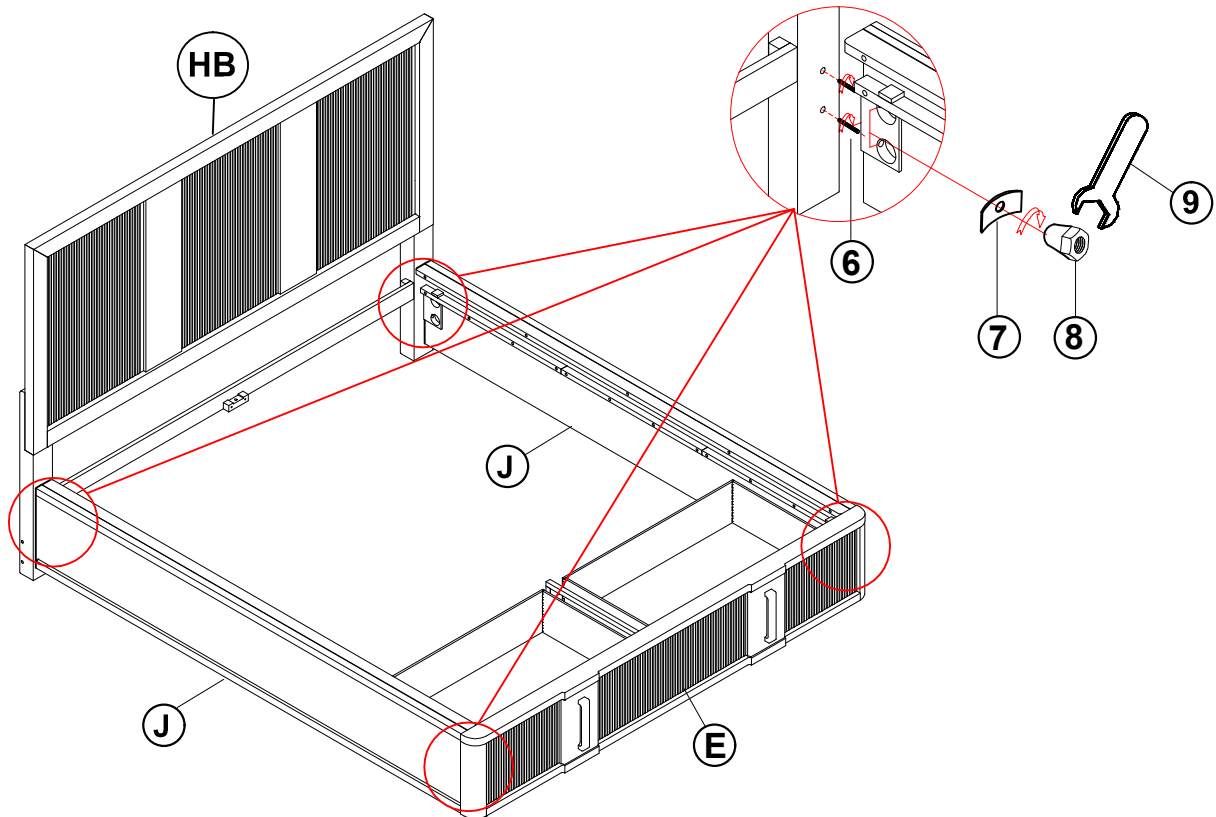
STEP 1

1.1



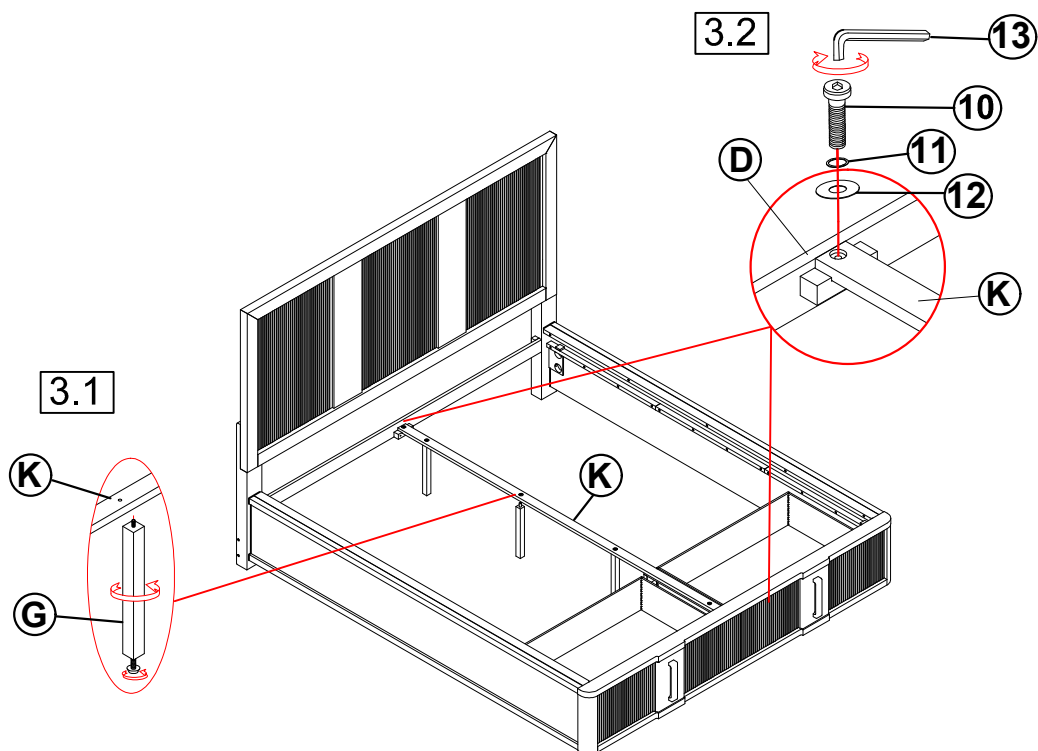
* BACK VIEW

STEP 2

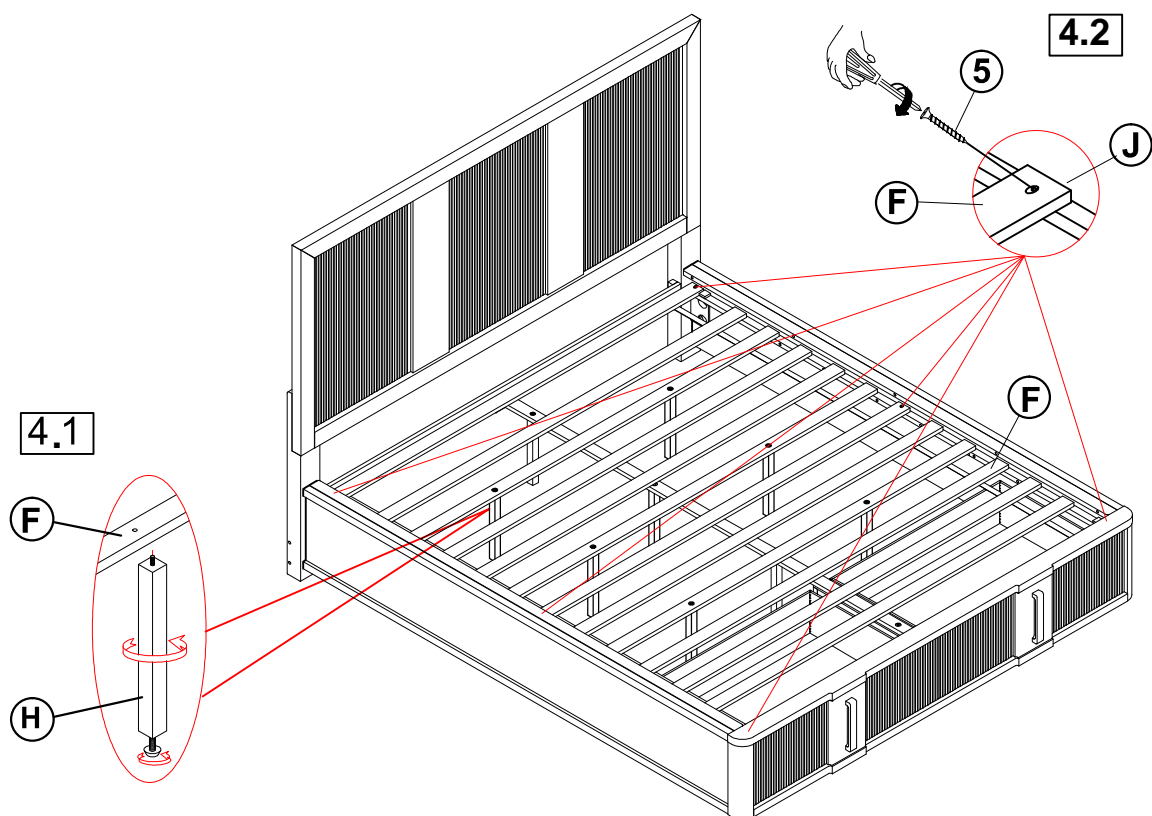


ASSEMBLY INSTRUCTIONS

STEP 3

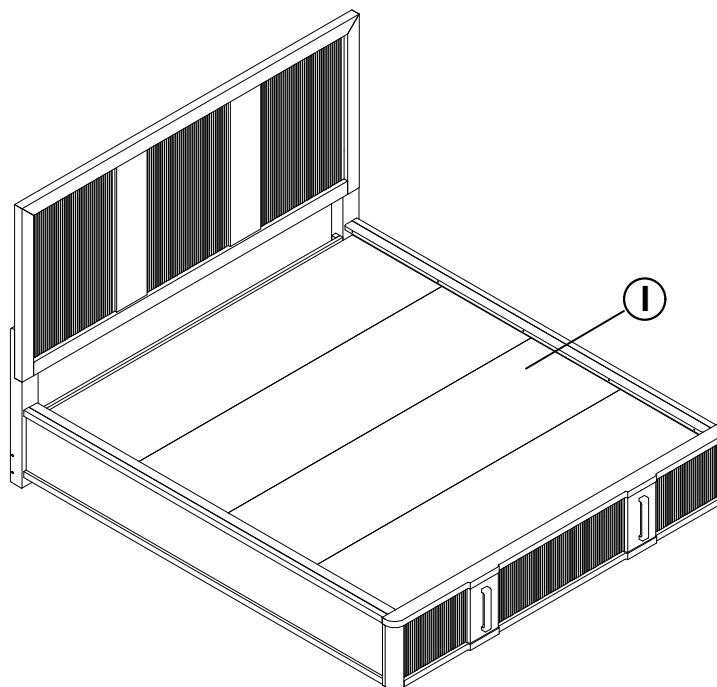


STEP 4

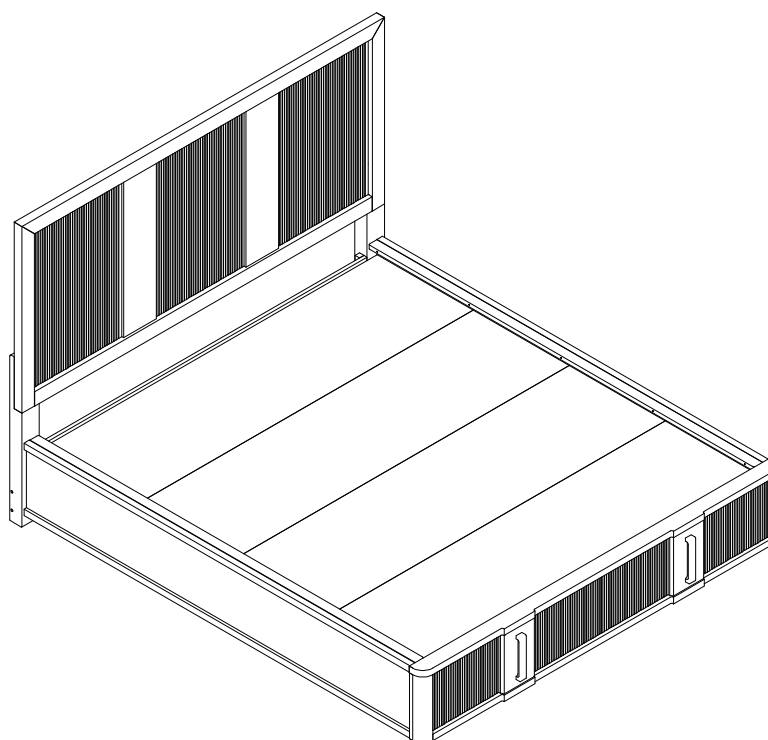


ASSEMBLY INSTRUCTIONS

STEP 5

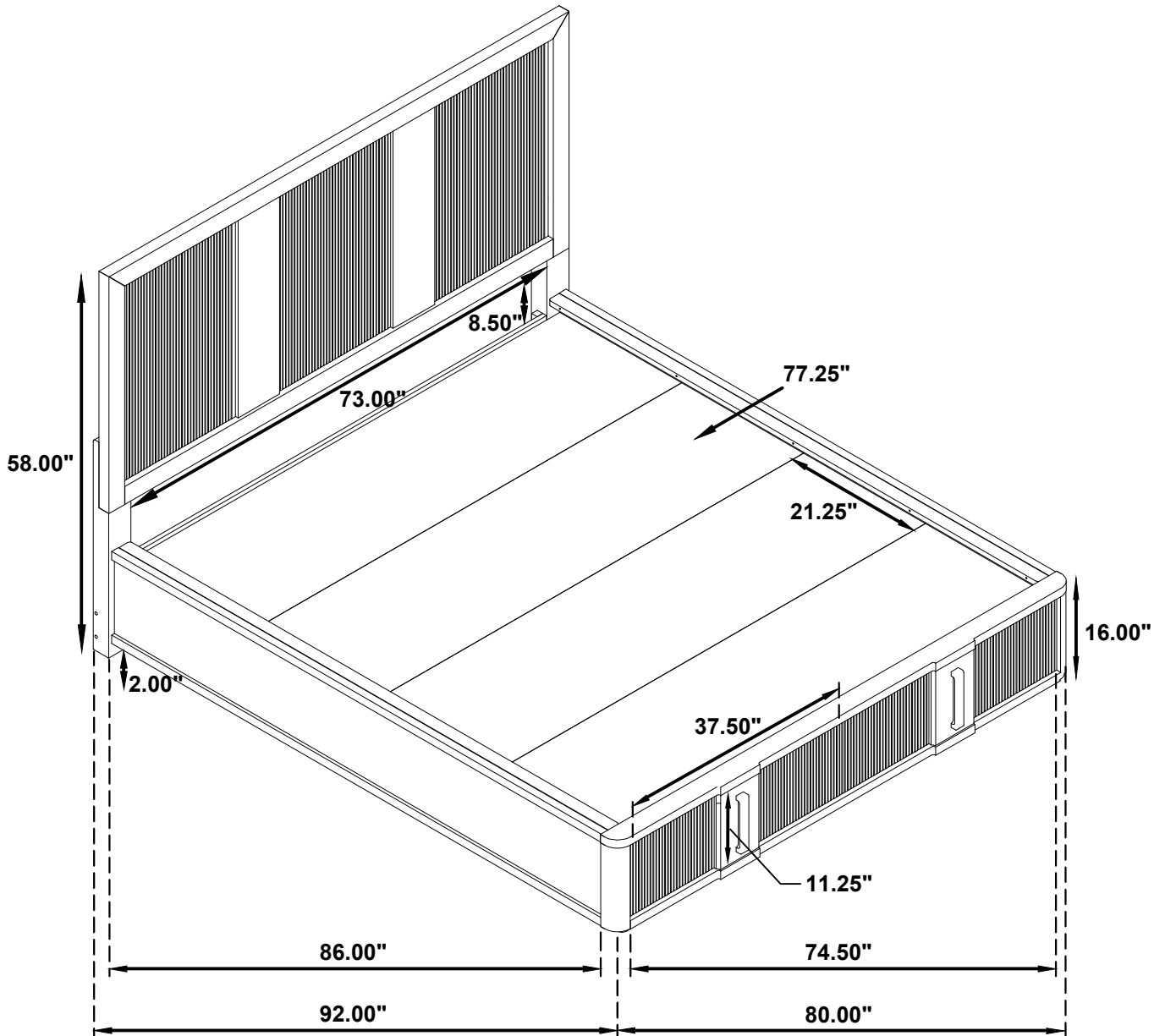


STEP 6 COMPLETE



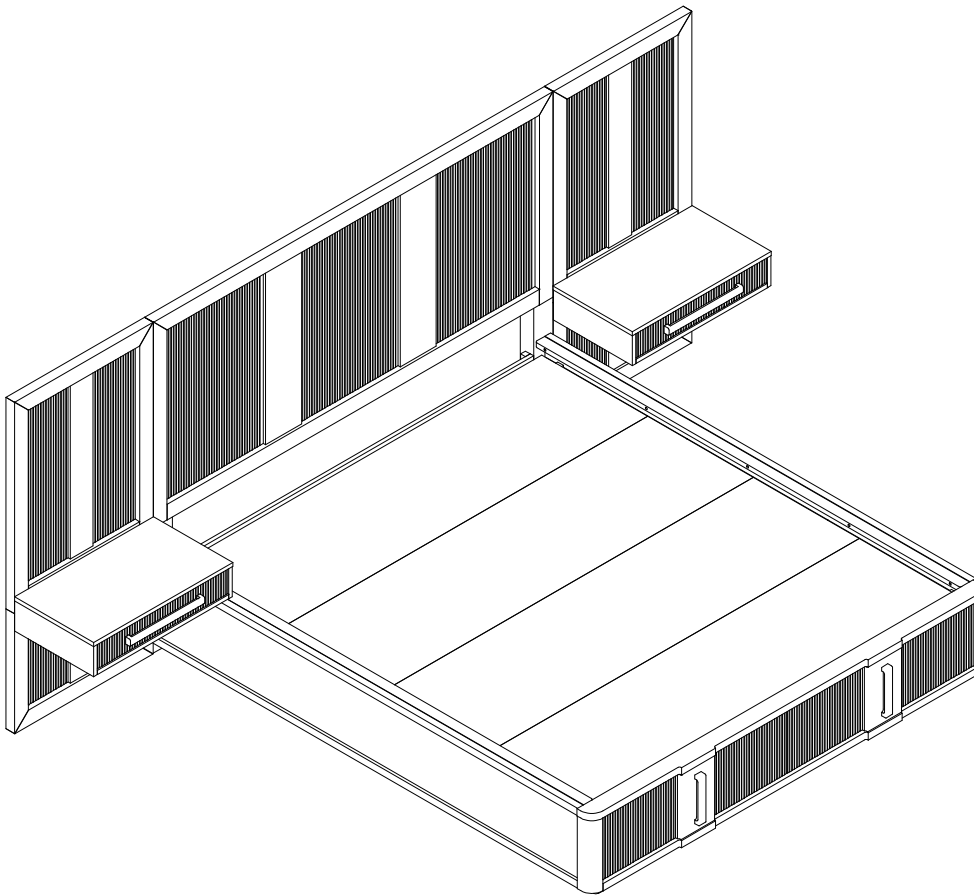
Inner Size : 77.25"W x 86.00"D

Inner Size of Drawer : 33.75"W x 22.75"D x 7.25"H x 0.25T



Note : Dimension tolerance $\pm 5\%$

ASSEMBLY INSTRUCTIONS



Fine Furniture for every stage of life

Left & Right Wall Bed Panel With Nightand

ASSEMBLY INSTRUCTIONS

ASSEMBLY TIPS:

1. Remove hardware from box and sort by size.
2. Please check to see that all hardware and parts are present prior to start of assembly.
3. Please follow attached instructions in the same sequence as numbered to assure fast & easy assembly.



WARNING

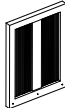
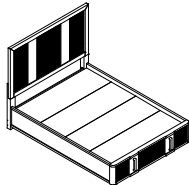

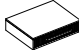
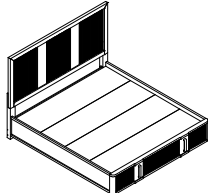

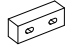
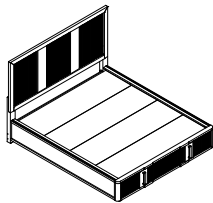
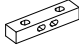
1. Don't attempt to repair or modify parts that are broken or defective. Please contact the store immediately.
2. This product is for home use only and not intended for commercial establishments.




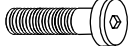





ASSEMBLY TIME

20 MINUTES

PARTS IDENTIFICATION

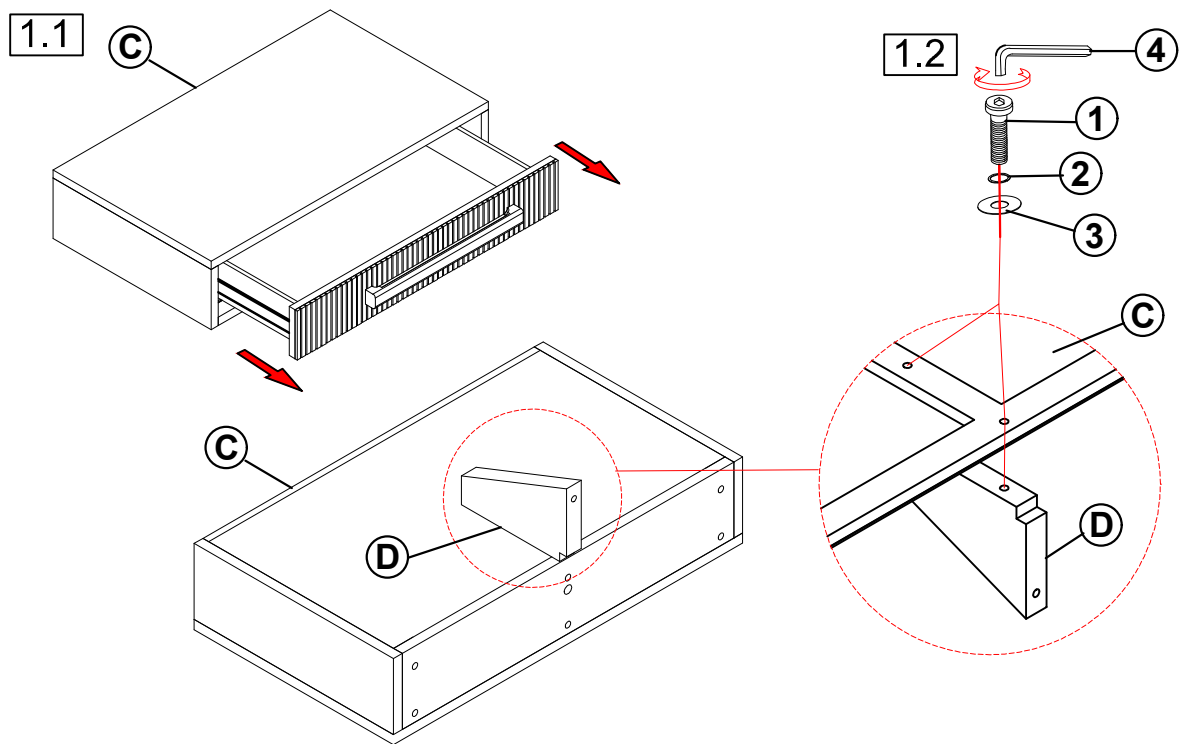
A	TOP PANEL		2PCS	BD	BED FROM BOX		1SET
B	BOTTOM PANEL		2PCS		or		
C	DRAWER		2PCS				1SET
D	DRAWER SUPPORT		2PCS		or		
E	TOP PANEL SUPPORT		4PCS				1SET
F	BOTTOM PANEL SUPPORT		2PCS				

HARDWARE IDENTIFICATION

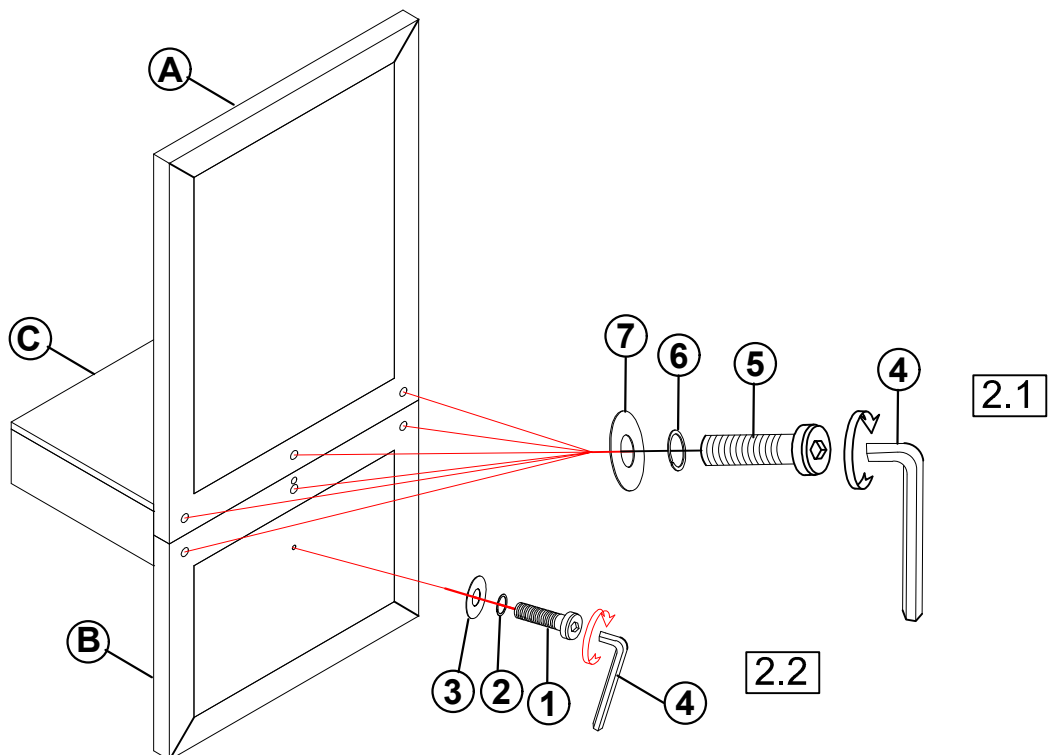
1	SHORT BOLT (1/4" x 45mm - RBW)		6PCS	5	LONG BOLT (5/16" x 50mm - RBW)		28PCS
2	SMALL LOCK WASHER (1/4" - RBW)		6PCS	6	BIG LOCK WASHER (5/16" - RBW)		28PCS
3	SMALL FLAT WASHER (1/4" x 19 x 1.5mm - RBW)		6PCS	7	BIG FLAT WASHER (5/16" x 19 x 1.5mm - RBW)		28PCS
4	ALLEN WRENCH (74 x 30 x 4mm - RBW)		1PC				

ASSEMBLY INSTRUCTIONS

STEP 1

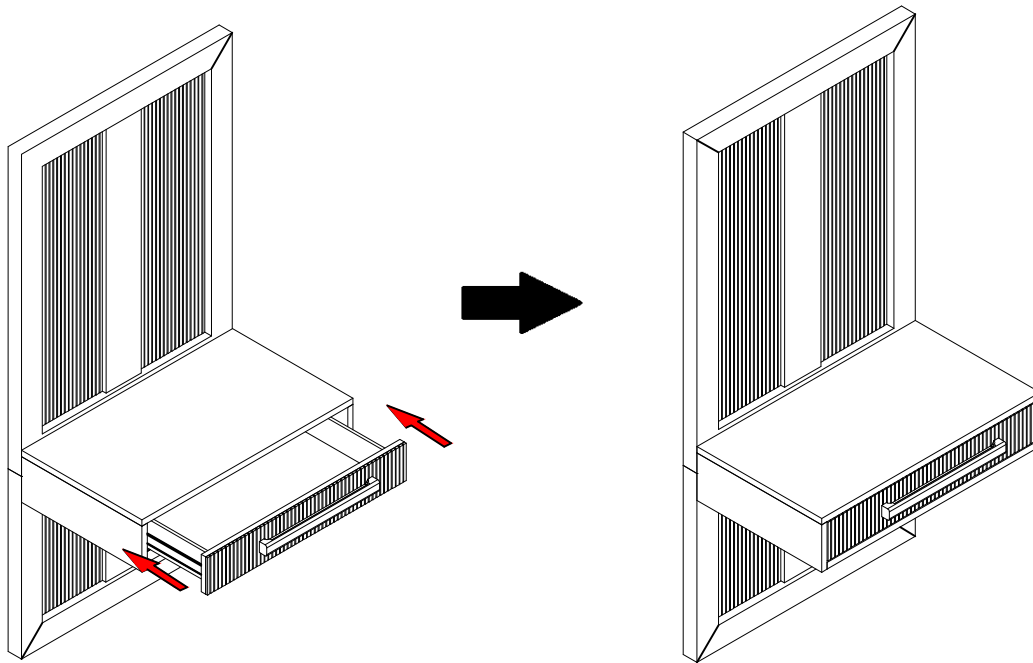


STEP 2

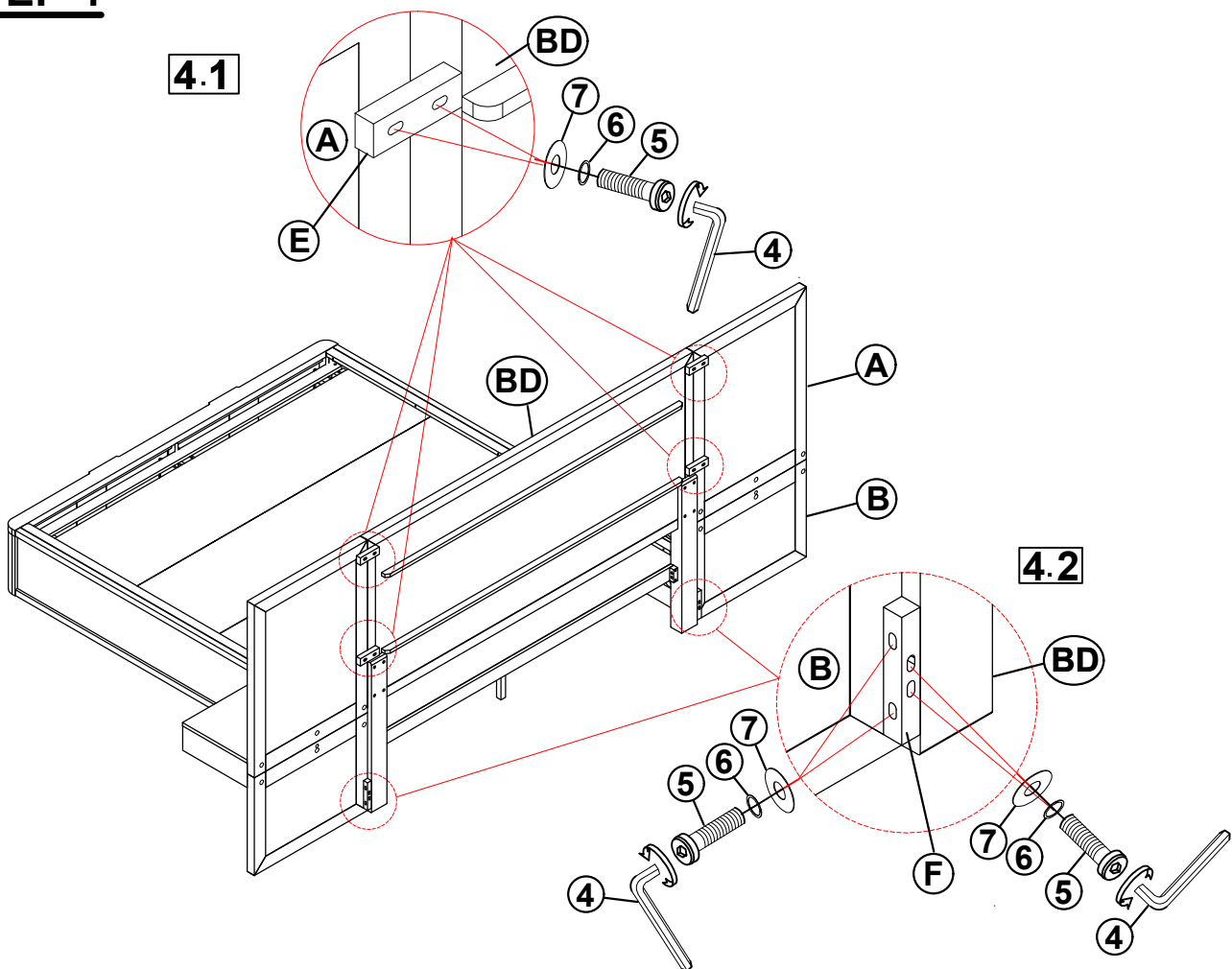


ASSEMBLY INSTRUCTIONS

STEP 3



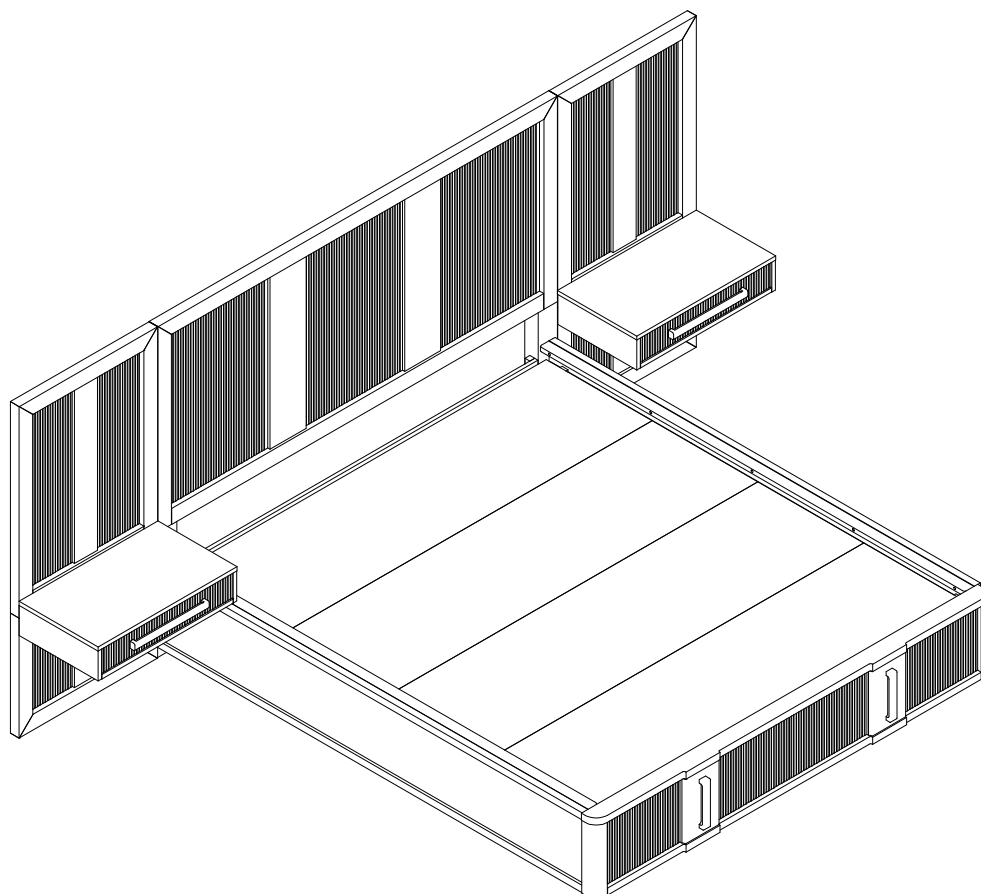
STEP 4



ASSEMBLY INSTRUCTIONS

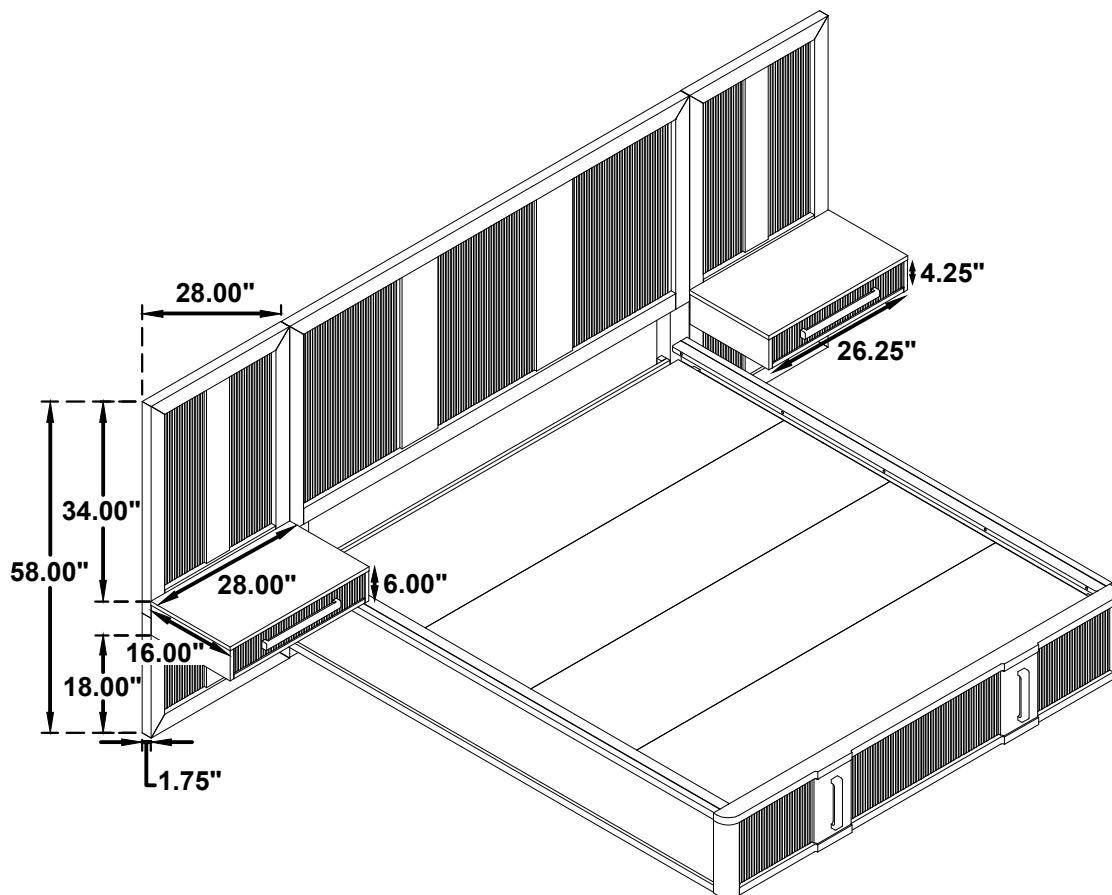
STEP 5

COMPLETE



Inner Size of Drawer : 23.25"W x 12.75"D x 2.75"H x 0.25T

Inner Size of Drawer : 23.25"W x 12.75"D x 2.75"H x 0.25T



Note : Dimension tolerance $\pm 5\%$