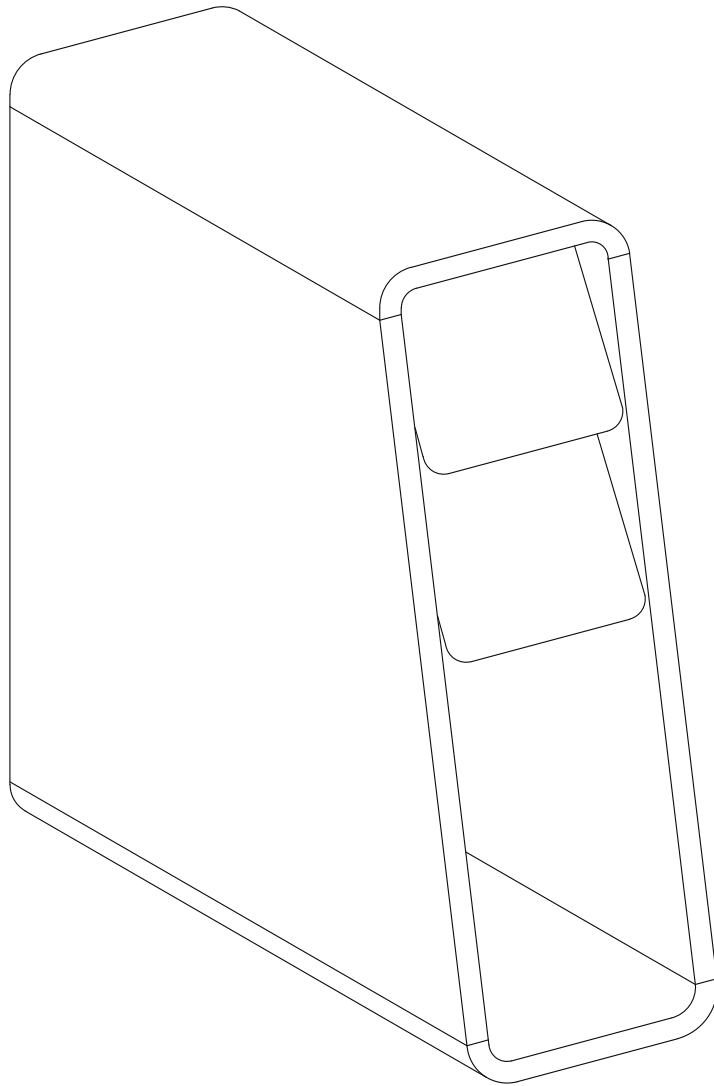
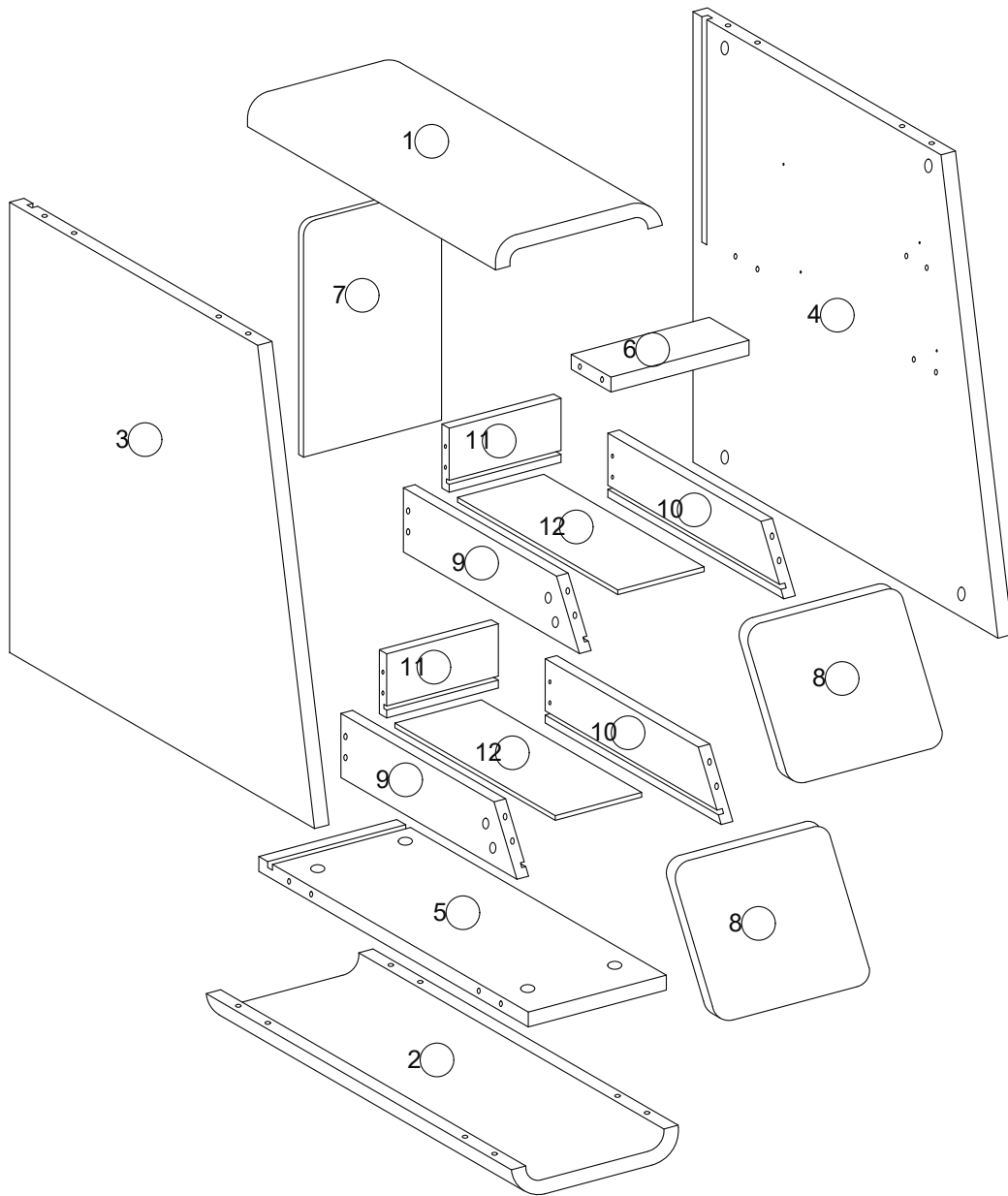

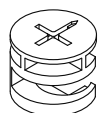


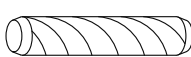
# Assembly Manual

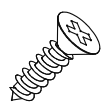


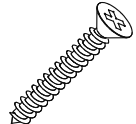



A	x24
	
M6*35mm	


B	x24
	
Ø15*9mm	

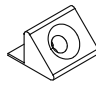
C	x12
	
Ø8*30mm	

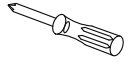
D	x16
	
Ø3.5*12mm	

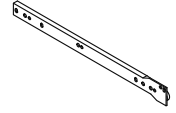
E	x8
	
Ø3.5*30mm	

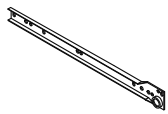
F	x4
	
Ø20*3mm	

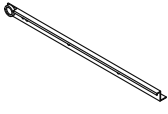
G	x4
	
Ø3.5*14mm	

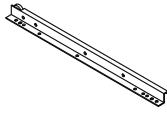
H	x4
	

I	x1
	

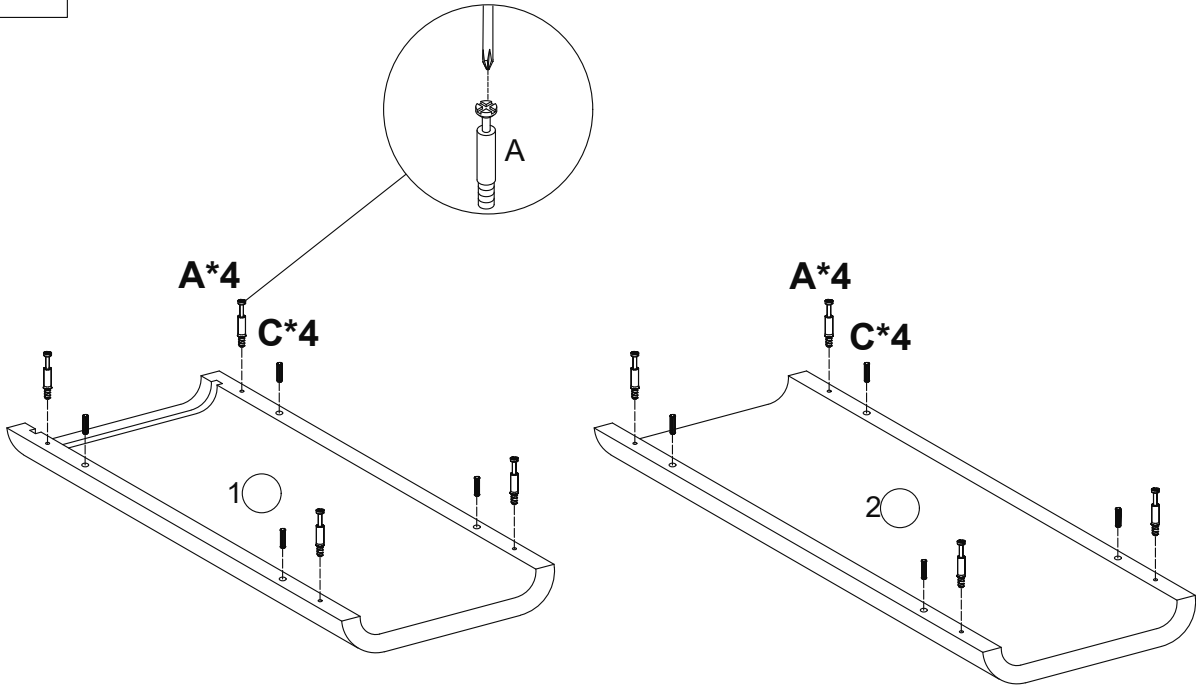
CL	x2
	
300mm	

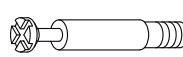

CR	x2
	
300mm	

DL	x2
	
300mm	

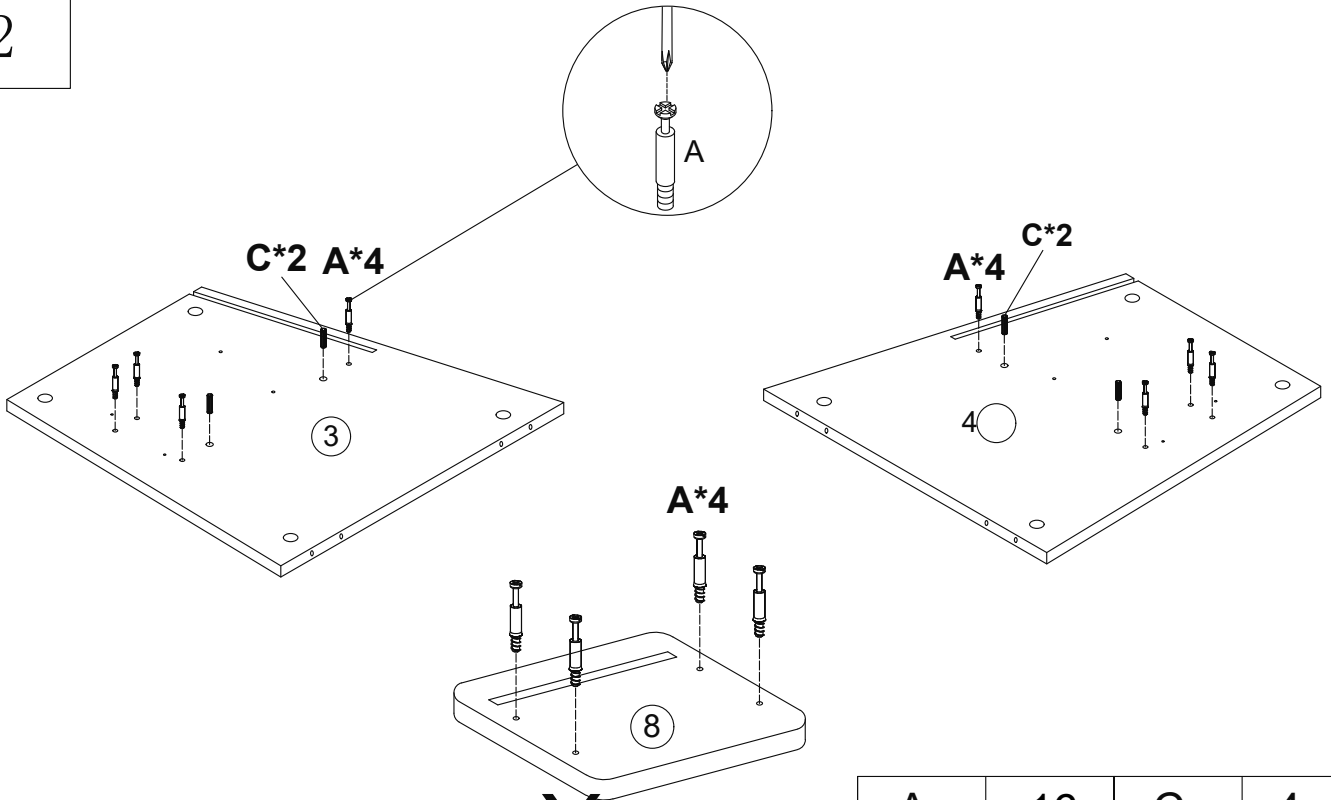
DR	x2
	
300mm	

1

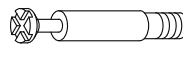



A	x8	C	x8
			
M6*35mm		Ø8*30mm	

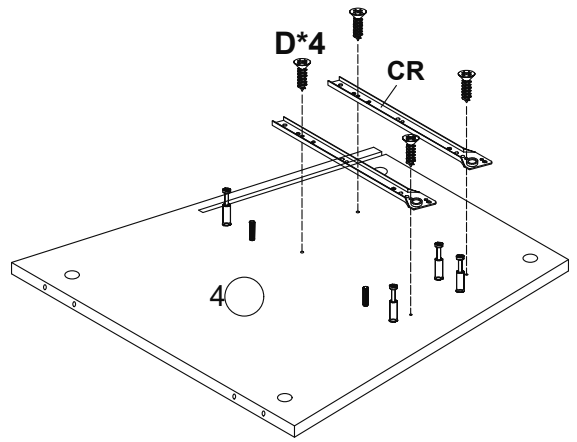
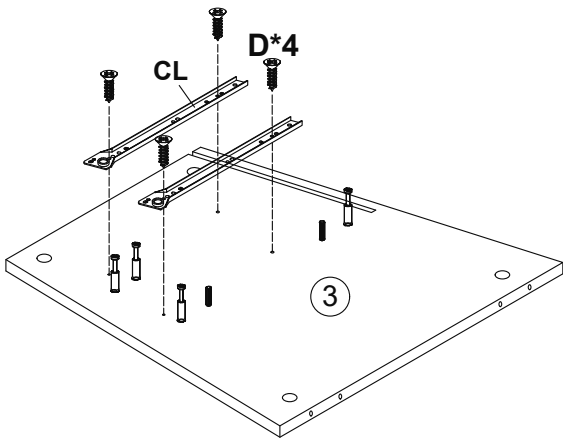
2



X  
2

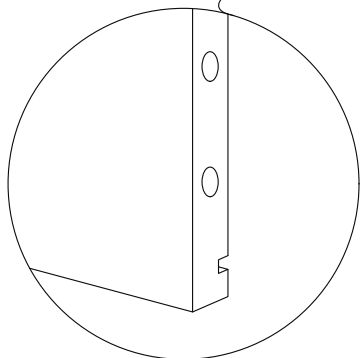
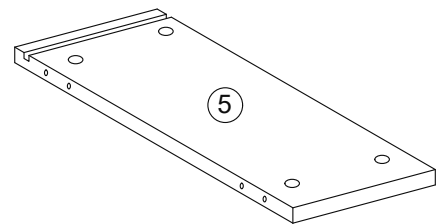
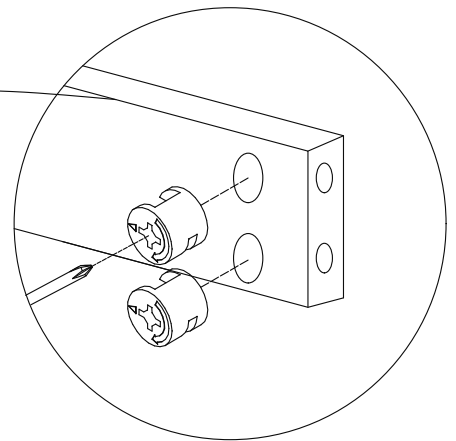
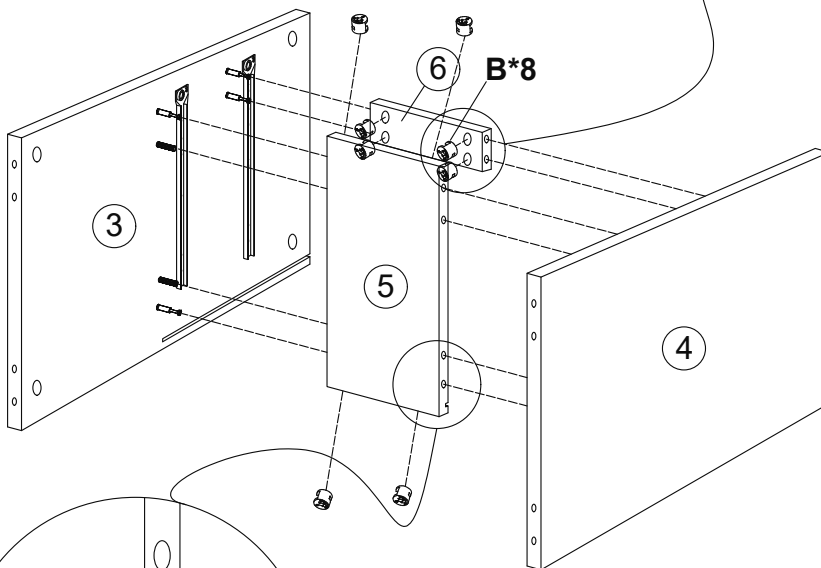
A	x16	C	x4
			
M6*35mm		Ø8*30mm	

3



D	x8	CL	x2	CR	x2
Ø3.5*12mm		300mm		300mm	

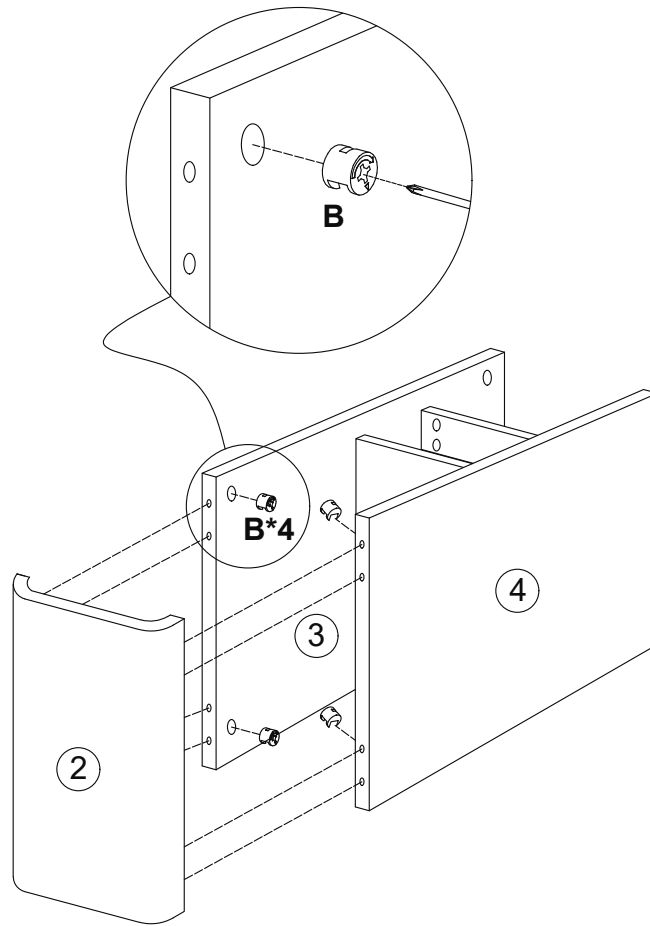
4



The groove is below

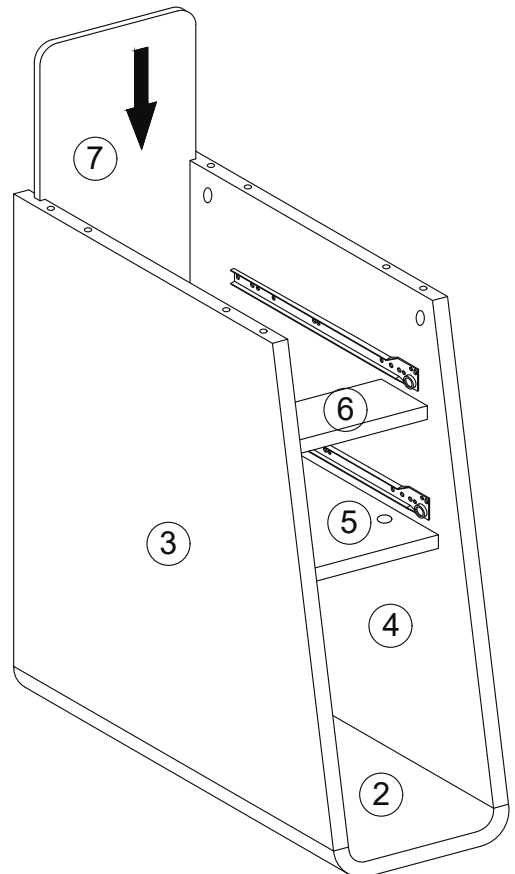
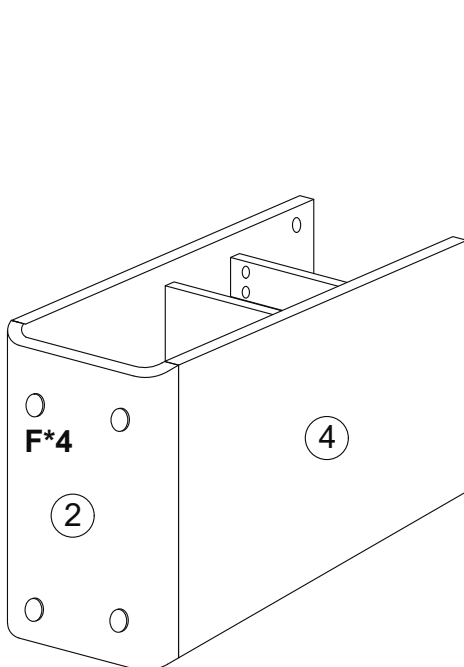
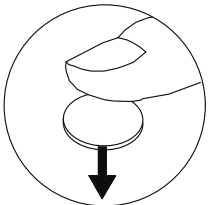
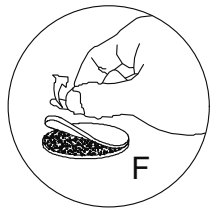
B	x8
Ø15*9mm	

5



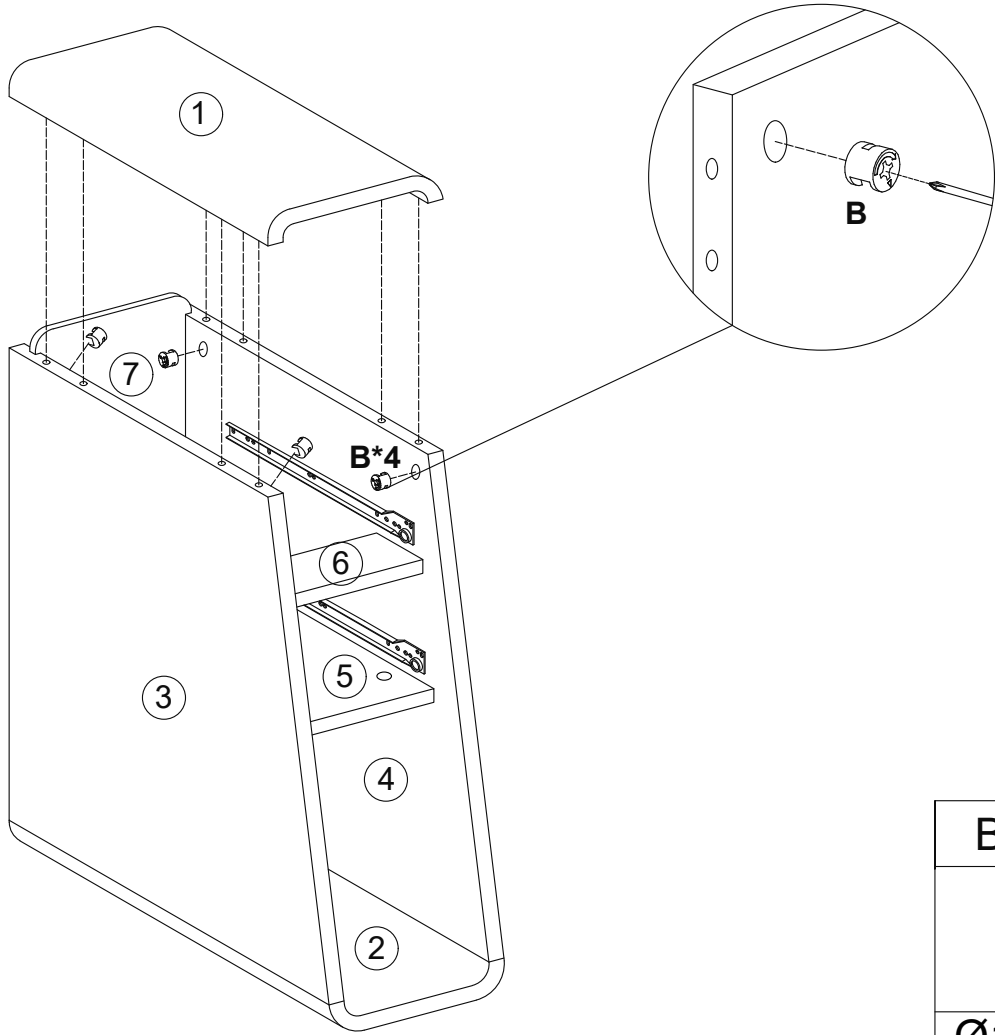
B	x4
$\text{Ø}15*9\text{mm}$	


6



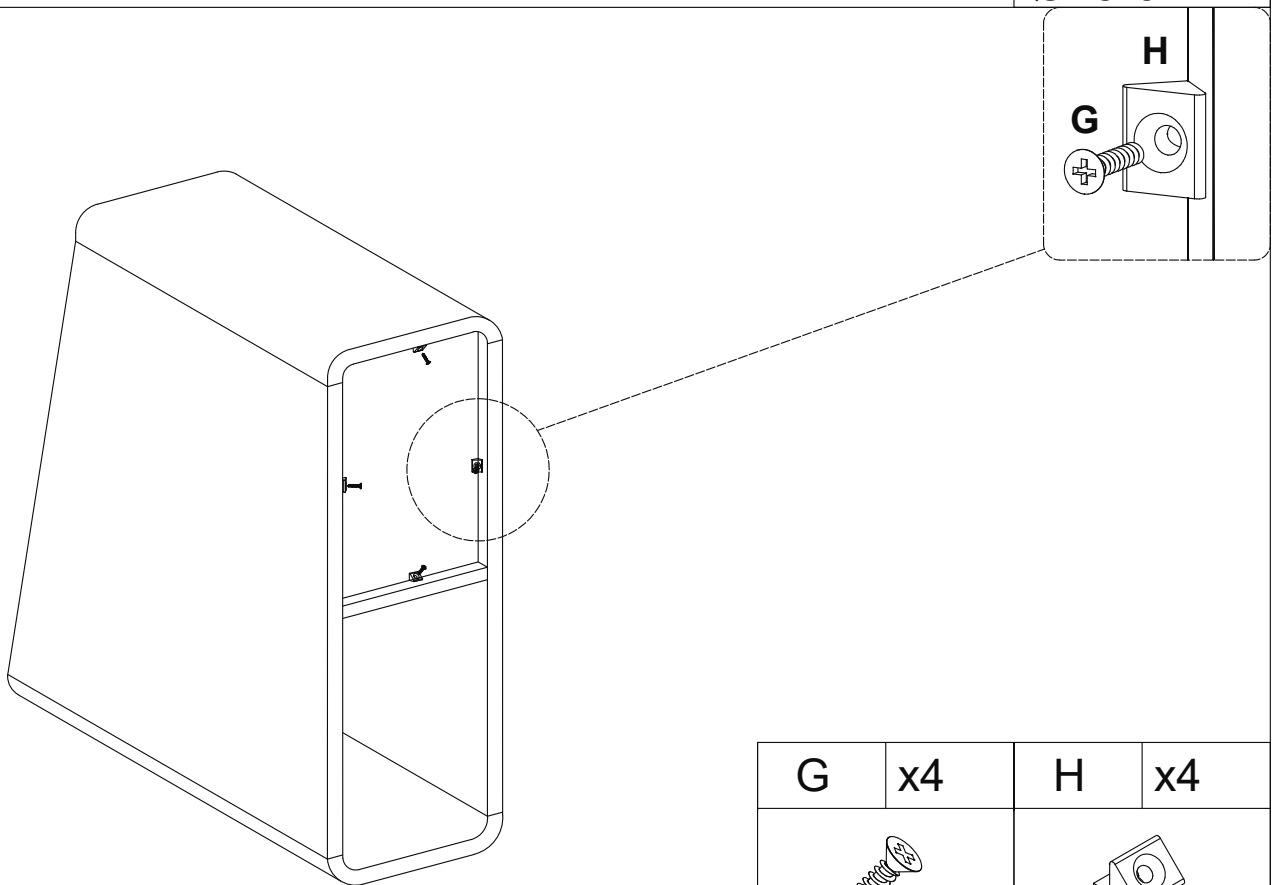
F	x4
$\text{Ø}20*3\text{mm}$	


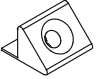
7



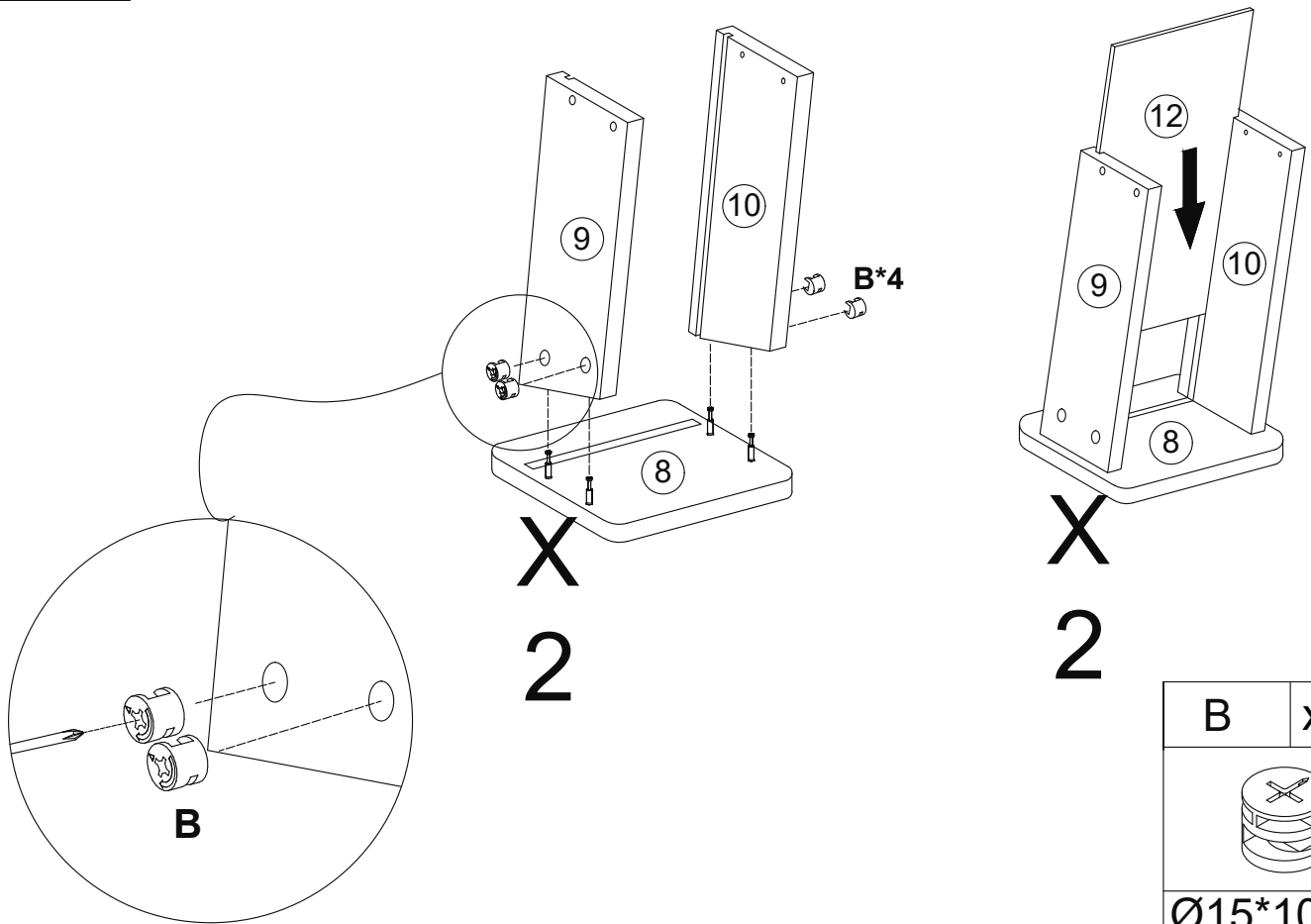
B	x4
	
$\text{Ø}15*9\text{mm}$	

8

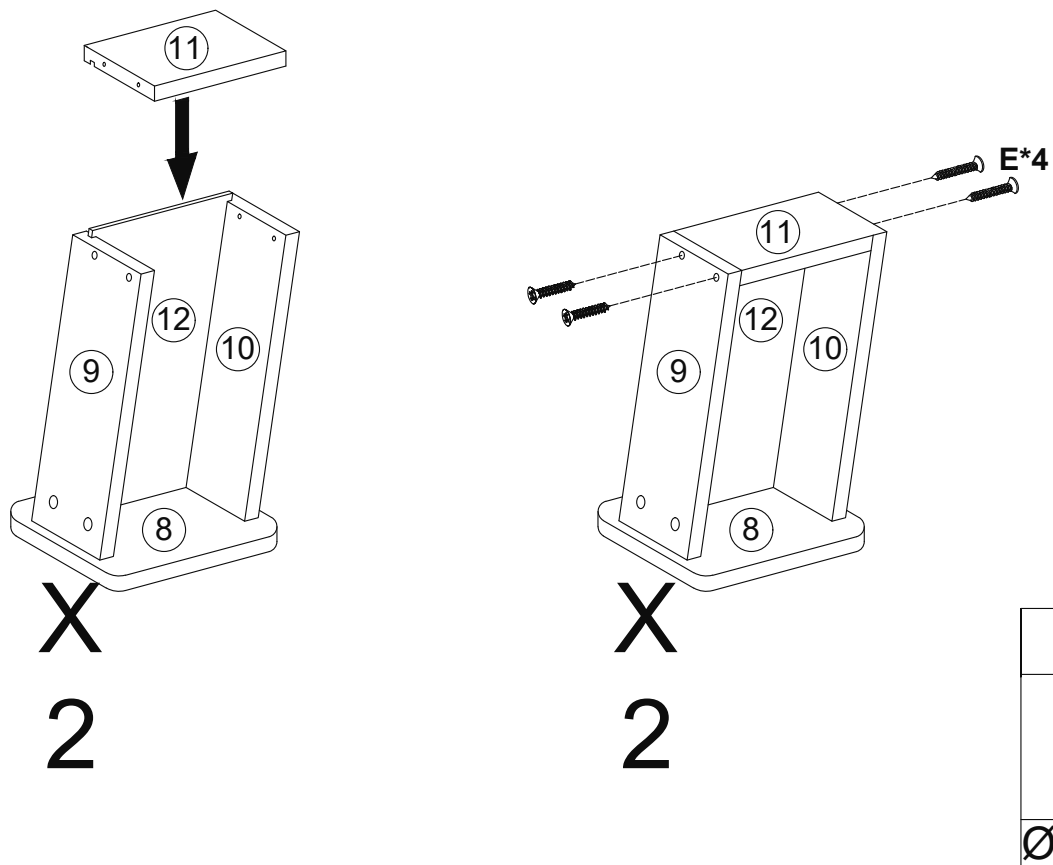


G	x4	H	x4
			
$\text{Ø}3*14\text{mm}$			

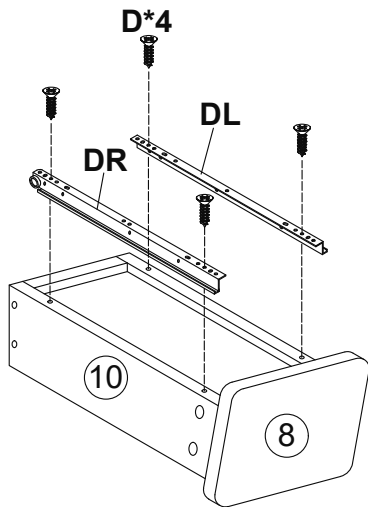
9



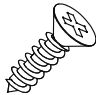
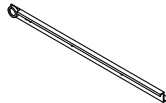
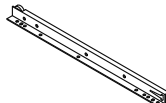
10



11



X  
2

D	x8	DL	x2	DR	x2
					
Ø3.5*12mm		300mm		300mm	

12

