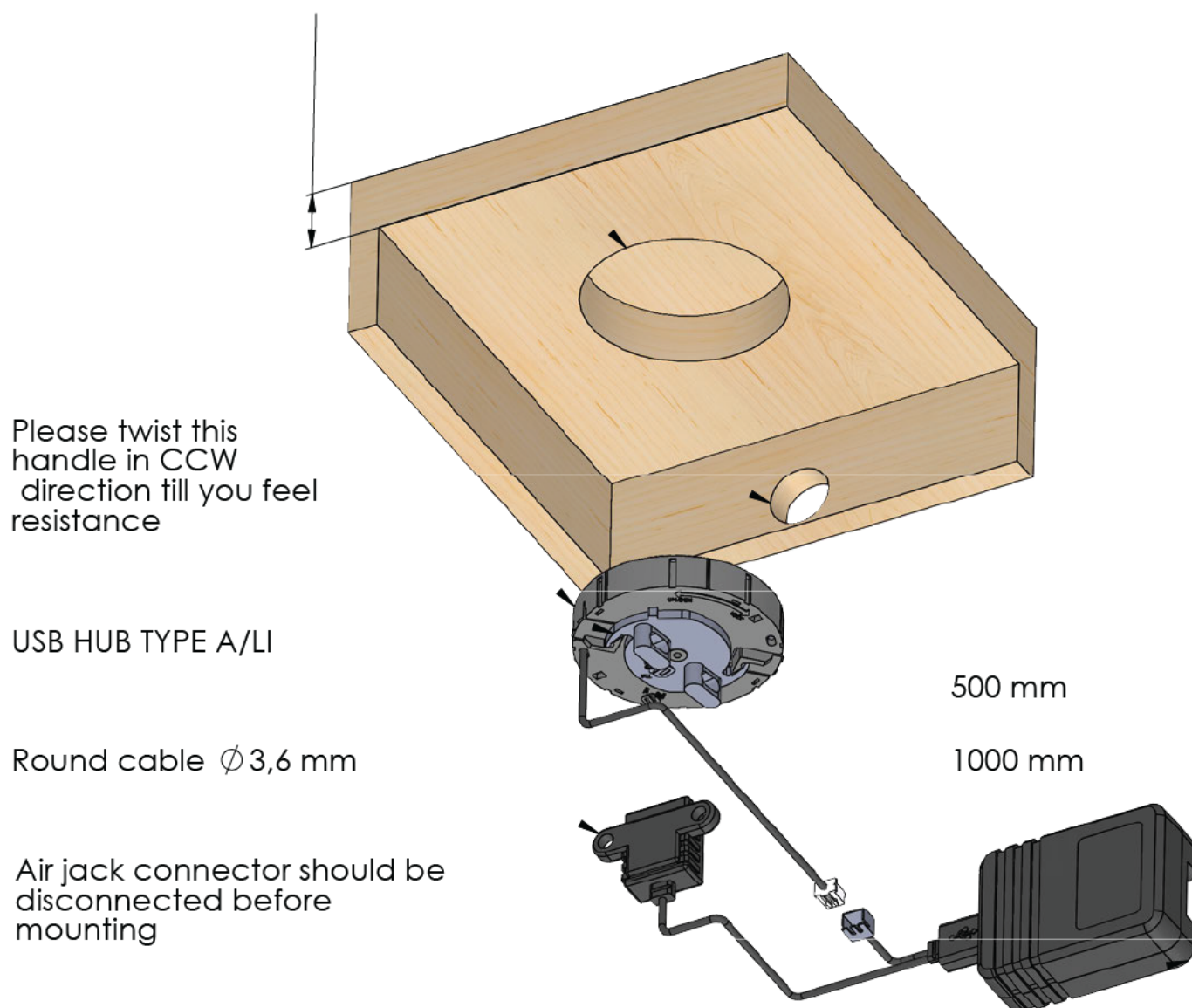


WIRELESS CHARGER W-1

DUAL CHARGING TECHNOLOGY

MOUNTING INSTRUCTION "UNDER FURNITURE TOP"

WIRELESS CHARGER W-1 + USB-EC-A2FS-B/LI

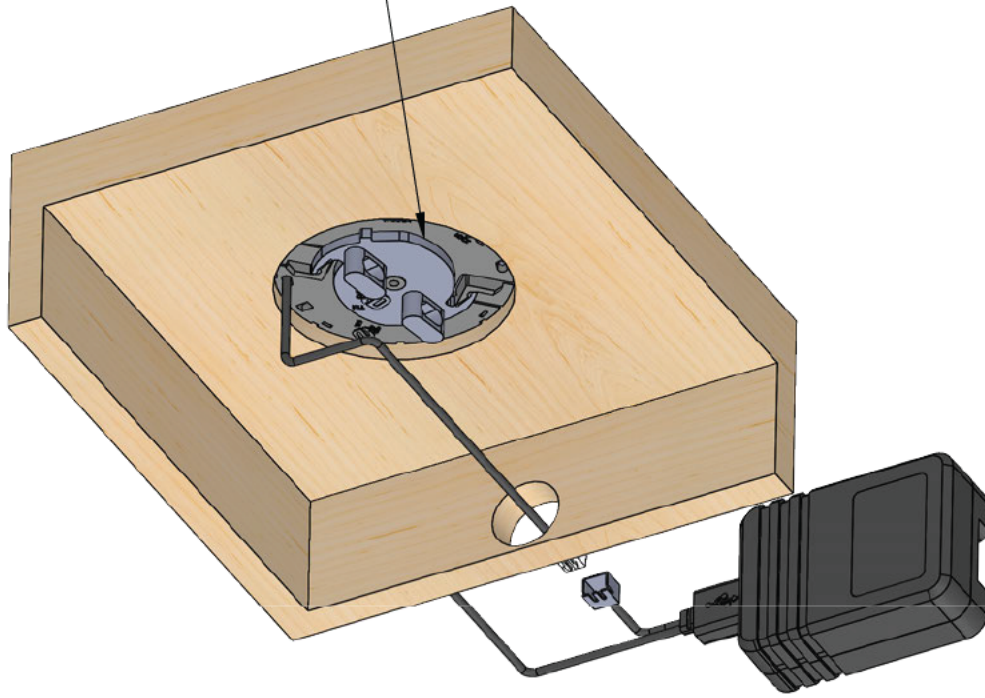


Step 1

Patent pending

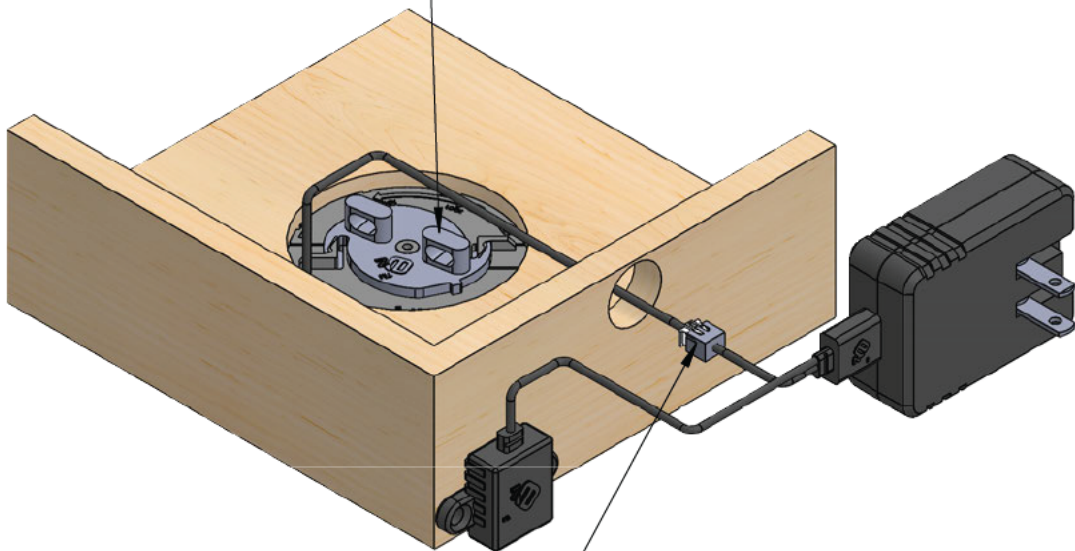
WIRELESS CHARGER W-1

Install W-1 wireless charging device into prepared hole



If wireless charger device fits properly to the hole and you feel that device can not be pushed deeper please twist this part in CW direction to lock

Step 2

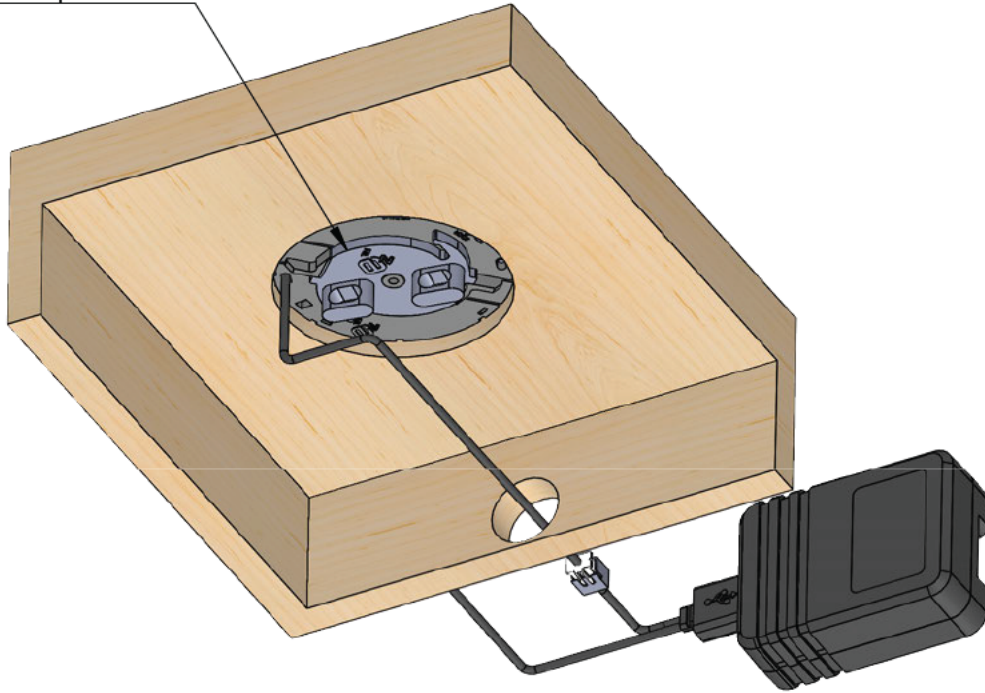


Connect air jack connector after mounting in furniture

Step 3

WIRELESS CHARGER W-1

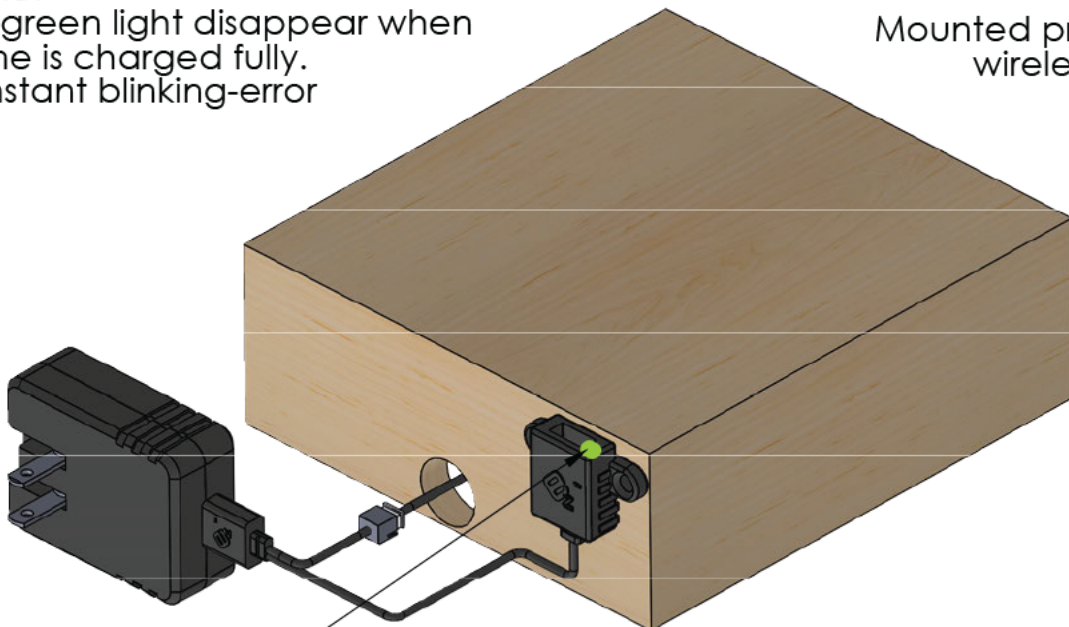
Locker should look like at the picture when is in the closed position



- Light description:
- One blink at power on
 - Constant lightning when Wireless charger is charging phone.
 - The green light disappear when phone is charged fully.
 - Constant blinking-error

Step 4

Mounted properly  W-1 wireless charger



Light

Step 5