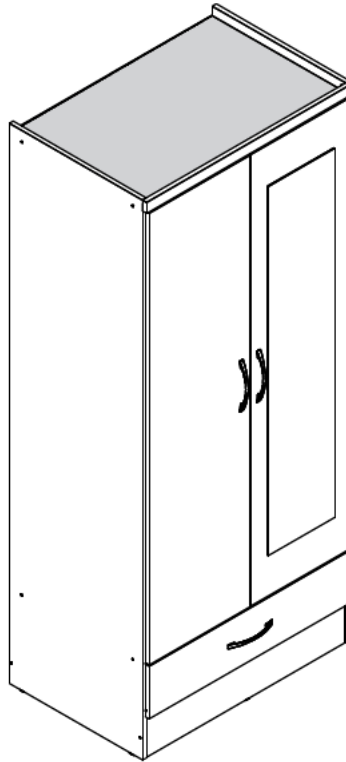


ASSEMBLY INSTRUCTIONS



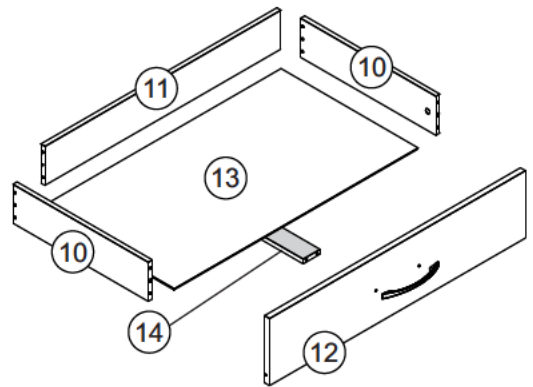
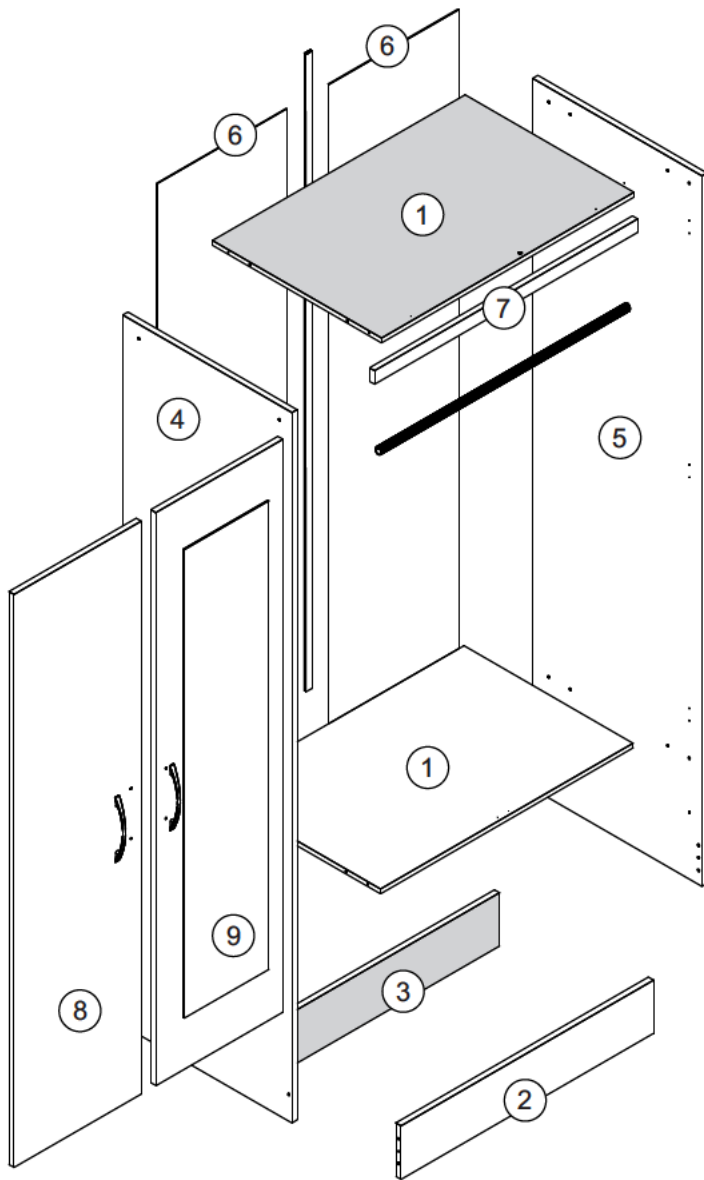
IMPORTANT FOR DOMESTIC USE ONLY

PLEASE READ BEFORE YOU CONTINUE FURTHER

CARE AND MAINTENANCE

After unpacking this product please keep the original packaging in case it needs to be returned for any reason.

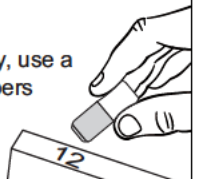
- Please ensure all fittings and parts are present before commencing with assembly.
- Never drag or push products as this could cause damage to the joints making it inferior.
- We strongly recommend that you keep children away from your work area.
- We recommend that you lay a blanket or sheet on the floor to avoid damage to both your floor and the product.
- Assemble this product as close to its final position as possible.
- Do not place this product next to a radiator or in direct sunlight.
- Do not drag or push items across your high gloss furniture as this may cause the surface to scratch
- Wood is a natural product and may expand if subjected to damp and may shrink or crack if subjected to heat. Therefore it is recommended that room temperature is maintained, with no sudden temperature fluctuations.
- Make sure any spillage is wiped off immediately.
- Do not place hot or chilled items directly on to the surface, use a place mat or marking will occur.
- For general cleaning use a soft cotton or micro fibre cloth, and do not use detergents of any kind.
- From time to time it may be necessary to tighten fittings, regular inspections should be carried out.
- Do not place on a wet or damp floor as staining may occur to your floor.



- * Use of power tools to assemble this product will invalidate any claim and damage this product making it unsafe !!!
- * Please assemble on a clean soft surface to avoid damage.
- * Please check contents and read the instructions before commencing assembly.
- * Assemble this product following the enclosed instructions carefully.
- * Please take care to avoid damaging panels during assembly.



If you wish, after assembly, use a rubber to erase part numbers "8", "9" and "12".



PARTS LIST



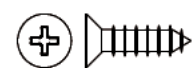
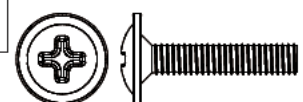
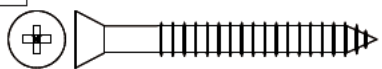
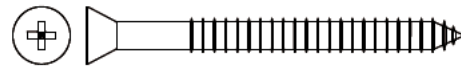


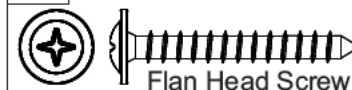
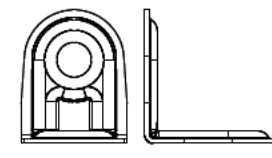
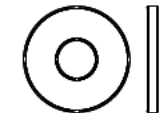
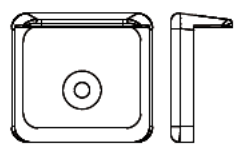
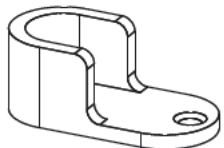
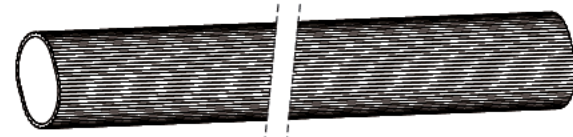
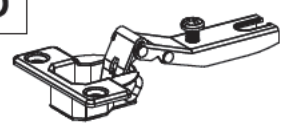
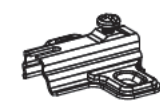
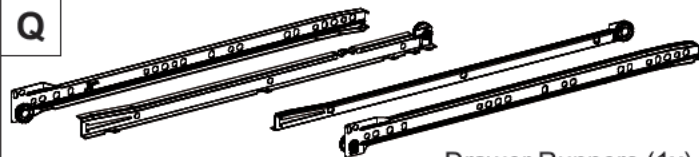
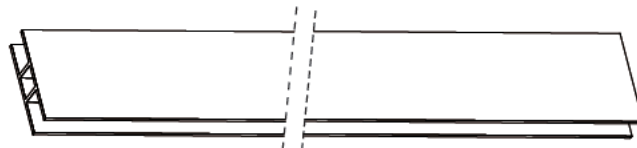




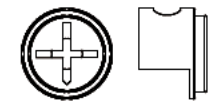
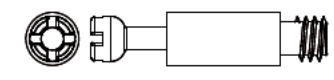
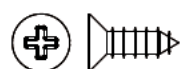
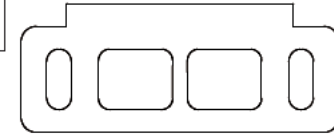
Please Note:

The below parts have all been stamped with the part number to help identify them during assembly.

1	Base-Top Panel	x2
2	Front Baseboard	x1
3	Back Baseboard	x1
4	Left Side Panel	x1
5	Right Side Panel	x1
6	Back Panel	x2
7	Frame	x1

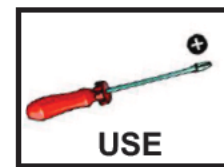
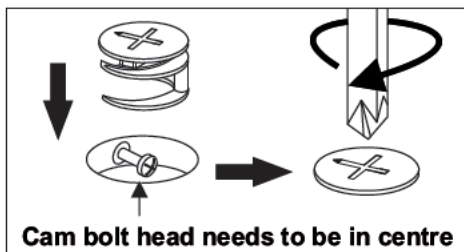
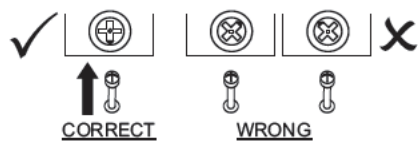
8	Door	x1
9	Mirrored Door	x1
10	Drawer Side	x2
11	Drawer Back Panel	x1
12	Drawer Front	x1
13	Drawer Bottom	x1
14	Drawer Bottom Support Bar	x1

FITTINGS LIST

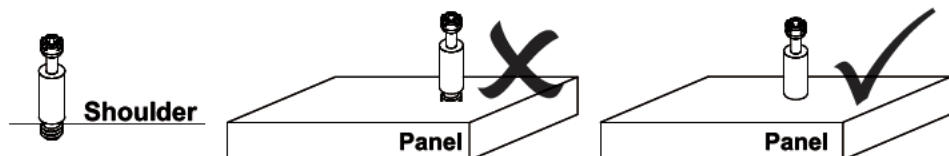
<p>A</p>  <p>Flat Head Screw Ø6,0 x 10mm (4x)</p>	<p>B</p>  <p>Flan Head Screw Ø4,0 x 14mm (6x)</p>	<p>C</p>  <p>Flat Head Screw Ø4,0 x 14mm (34x)</p>	<p>D</p>  <p>Flan Head Screw Ø4,0 x 20mm (6x)</p>
<p>E</p>  <p>Flat Head Screw Ø3,5 x 40mm (2x)</p>	<p>F</p>  <p>Flat Head Screw Ø4,0 x 50mm (14x)</p>	<p>G</p>  <p>Dowel Ø6,0 x 30mm (26x)</p>	
<p>H</p>  <p>Nail 10 x 10 (62x)</p>	<p>I</p>  <p>Flan Head Screw Ø3,5 x 30mm (2x)</p>	<p>J</p>  <p>'L' Metallic Support (4x)</p>	<p>K</p>  <p>Washer (4x)</p>
<p>L</p>  <p>Plastic Foot (6x)</p>	<p>M</p>  <p>Hanging Rail Support (2x)</p>	<p>N</p>  <p>Hanging Rail (1x)</p>	
<p>O</p>  <p>Hinge (6x)</p>	<p>P</p>  <p>Hinge Plate (6x)</p>	<p>Q</p>  <p>Drawer Runners (1x)</p>	
<p>R</p>  <p>Back Panel Strip (1x)</p>	<p>S</p>  <p>Strap (2x)</p>	<p>T</p>  <p>Handle (3x)</p>	
<p>U</p>  <p>Hole Plugs (14x)</p>	<p>V</p>  <p>Glue (1x)</p>	<p>W</p>  <p>Cam Nut (2x)</p>	<p>X</p>  <p>Cam Bolt (2x)</p>
<p>Y</p>  <p>Flat Head Screw Ø4,0 x 12mm (12x)</p>	<p>Z</p>  <p>Door Support (2x)</p>		

TIPS FOR FITTINGS CAM-LOCKS




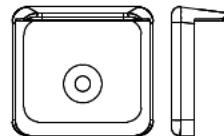
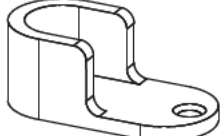

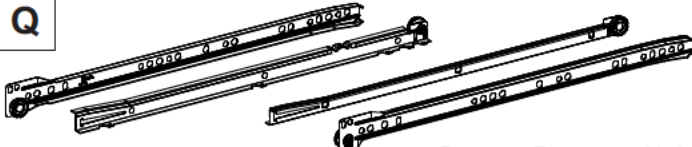
WHEN FITTING CAM NUT. ENSURE STARTING POSITION IS CORRECT BEFORE YOU INSERT CONNECTING CAM BOLT TURN CLOCKWISE UNTIL SECURE

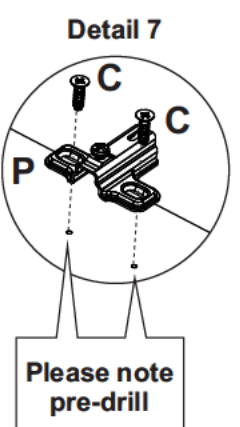
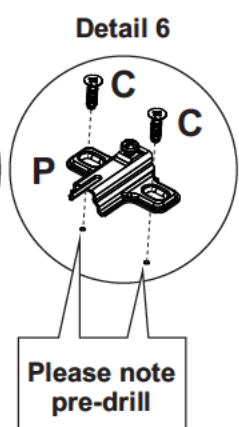
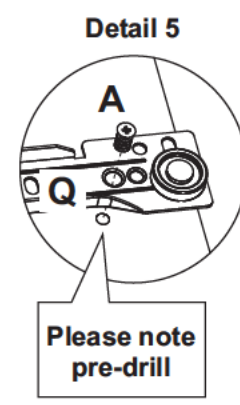
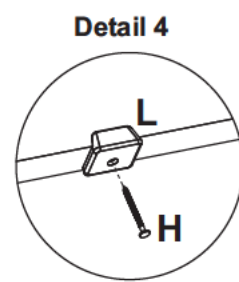
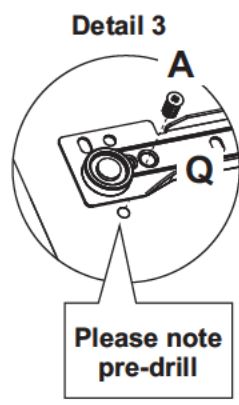
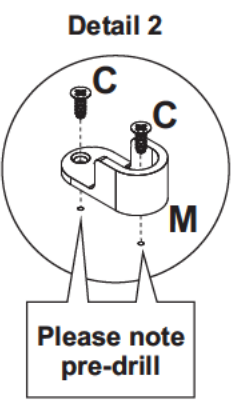
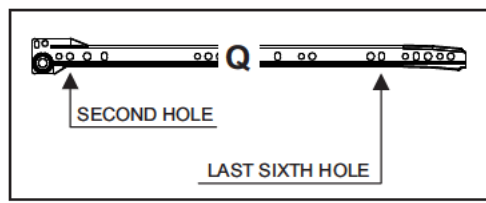
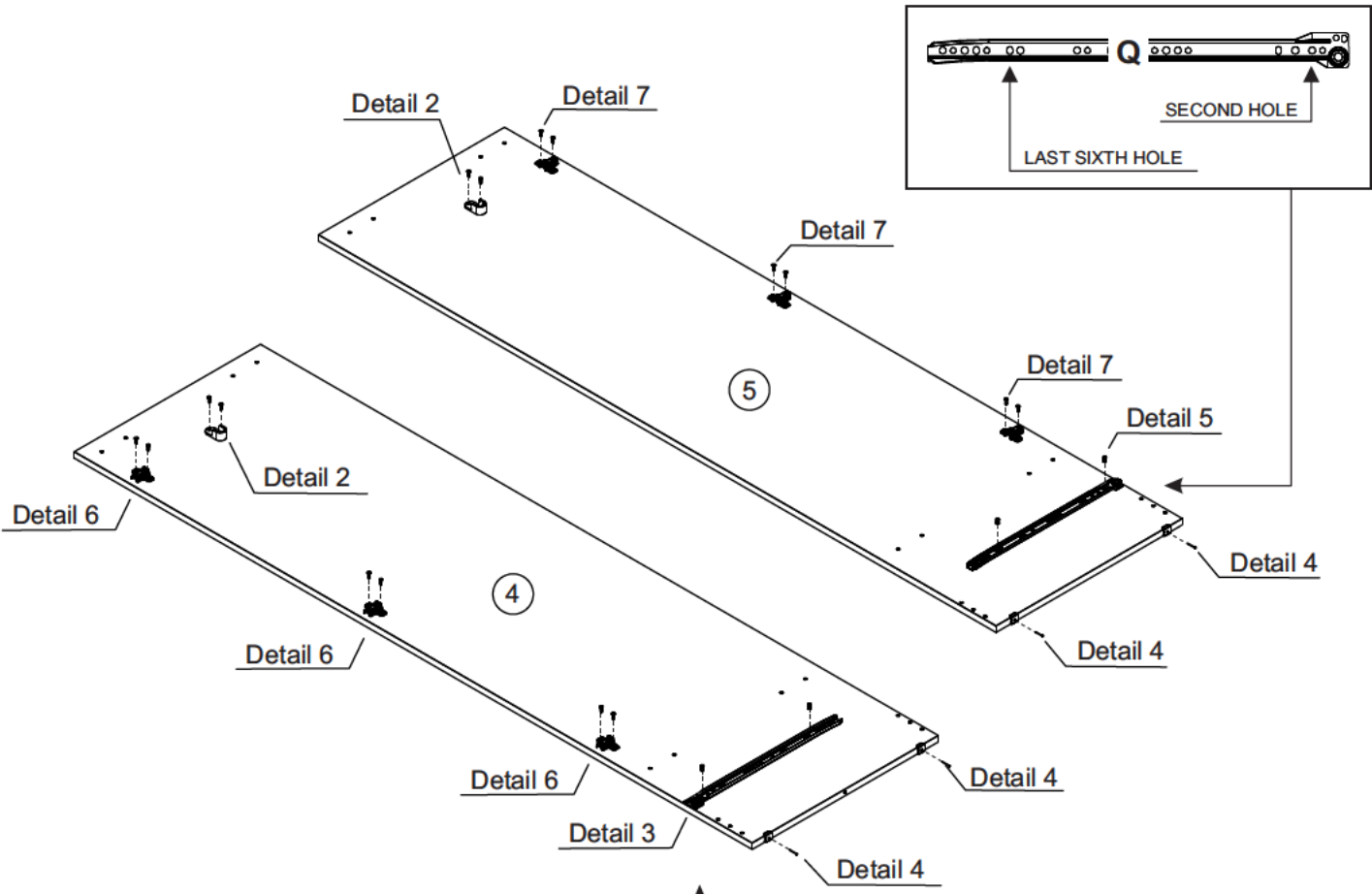


CAMBOLT
Tighten until shoulder in flush with panel. Do not overtighten or undertighten (see example beside)



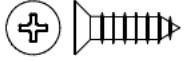
Pre-Assembly

<p>A</p>  <p>Flat Head Screw Ø6,0 x 10mm (4x)</p>	<p>C</p>  <p>Flat Head Screw Ø4,0 x 14mm (16x)</p>	<p>H</p>  <p>Nail 10 x 10 (4x)</p>	<p>L</p>  <p>Plastic Foot (4x)</p>
<p>M</p>  <p>Hanging Rail Support (2x)</p>	<p>P</p>  <p>Hinge Plate (6x)</p>	<p>Q</p>  <p>Drawer Runners (1x)</p>	



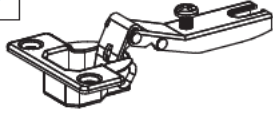
Pre-Assembly

C

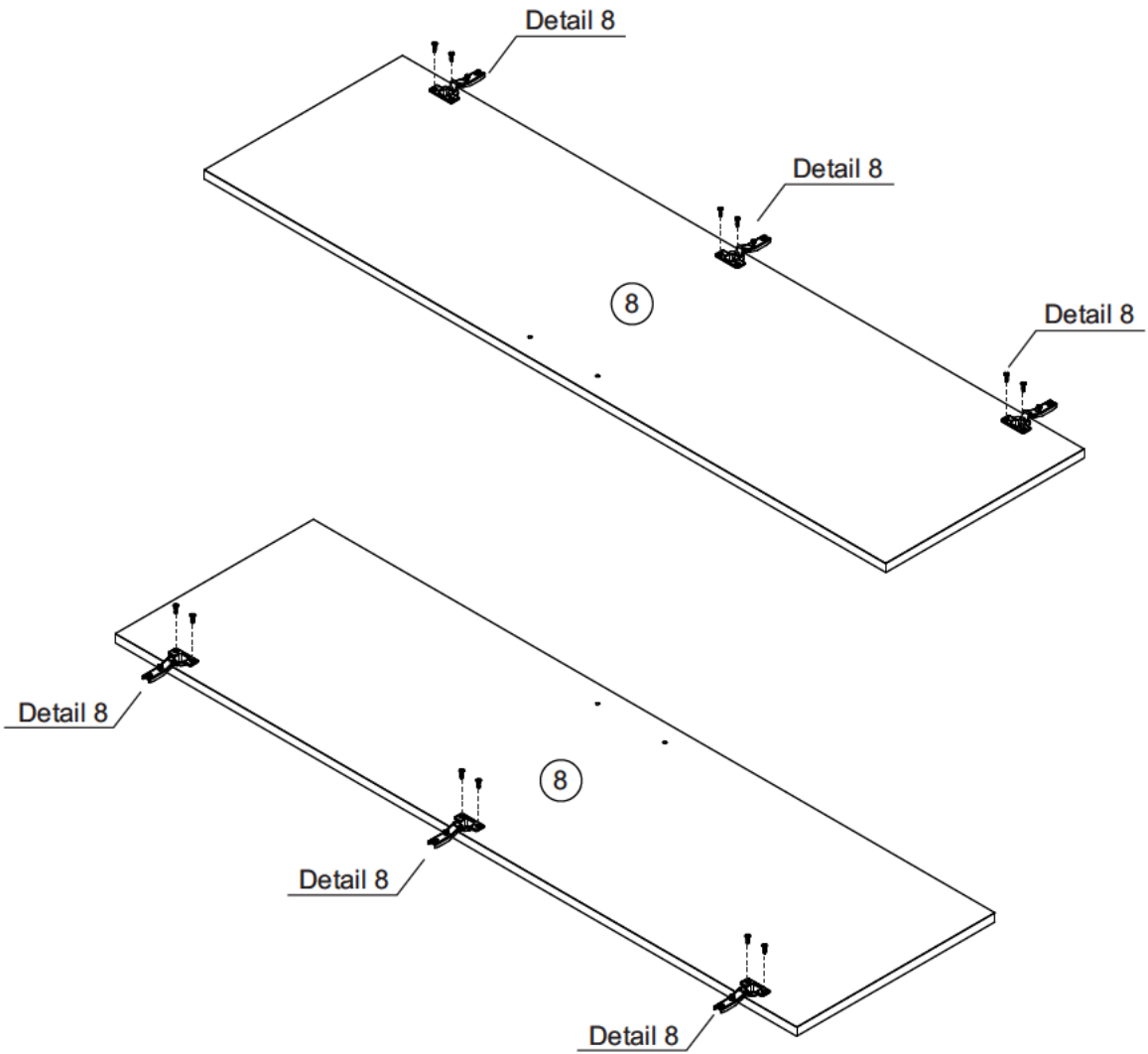


Flat Head Screw
Ø4,0 x 14mm (12x)

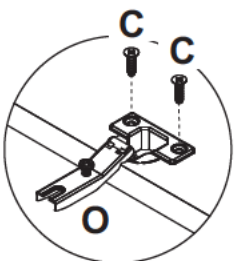
O





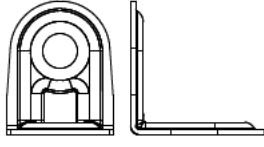
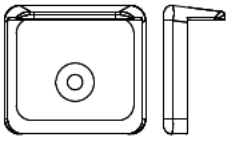
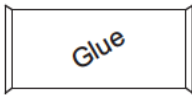
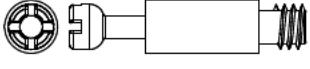
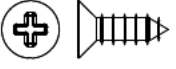
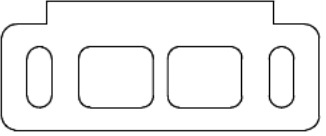
Hinge (6x)

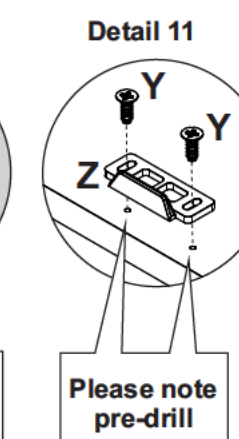
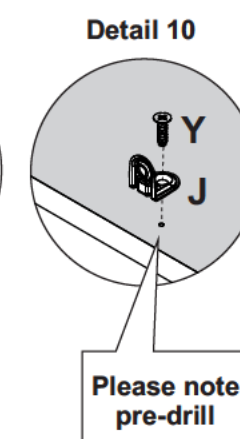
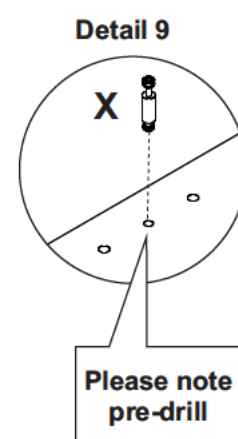
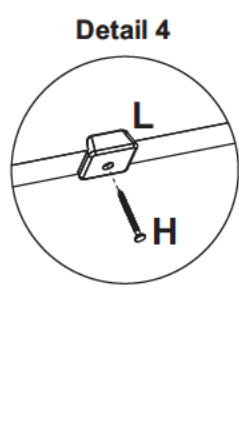
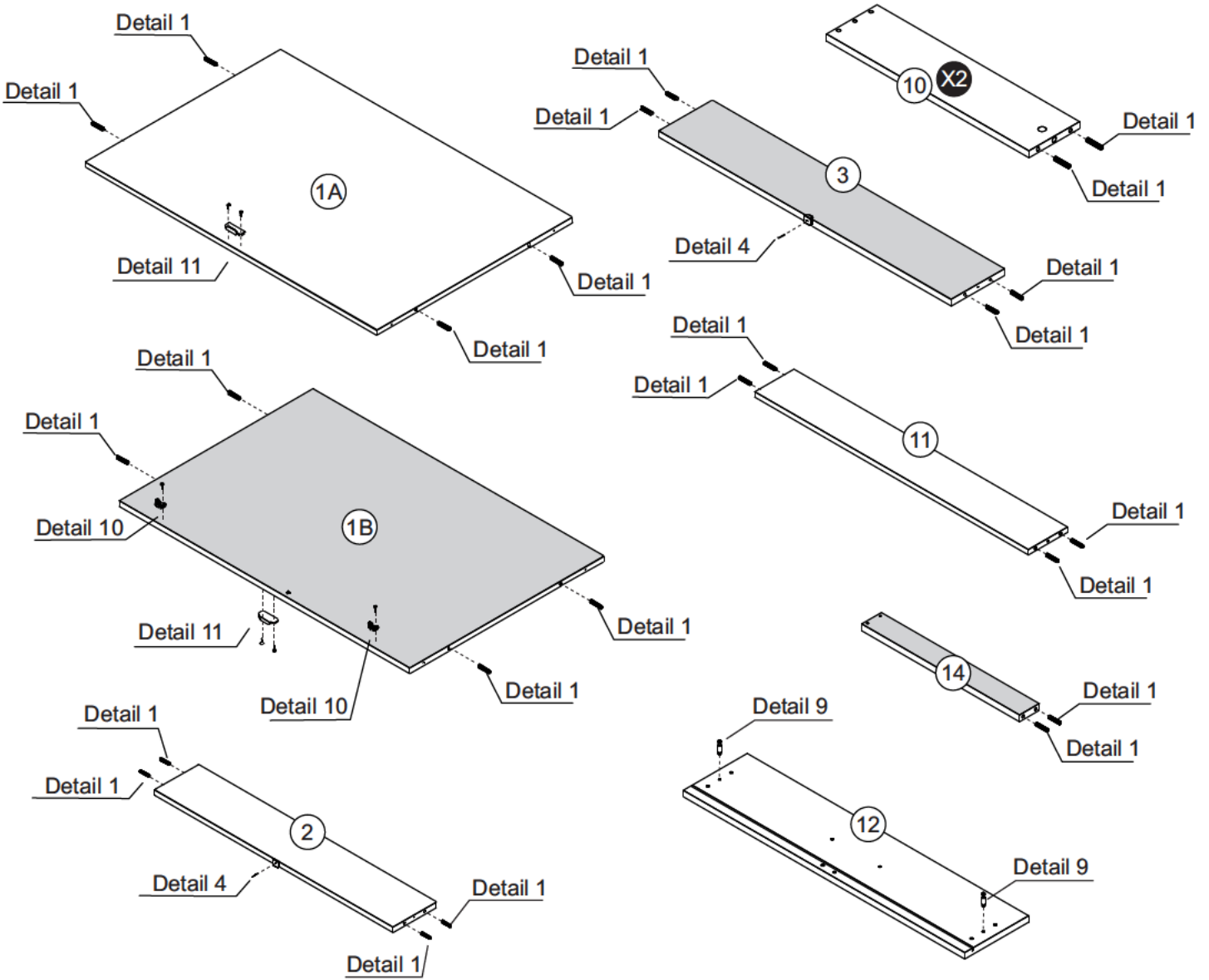


Detail 8



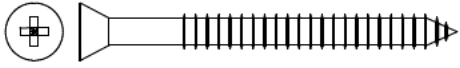
Pre-Assembly

G  Dowel Ø6,0 x 30mm (26x)	H  Nail 10 x 10 (2x)	J  'L' Metallic Support (2x)	L  Plastic Foot (2x)
V  Glue	X  Cam Bolt (2x)	Y  Flat Head Screw Ø4,0 x 12mm (6x)	Z  Door Support (2x)



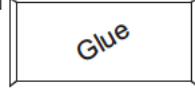
1

F

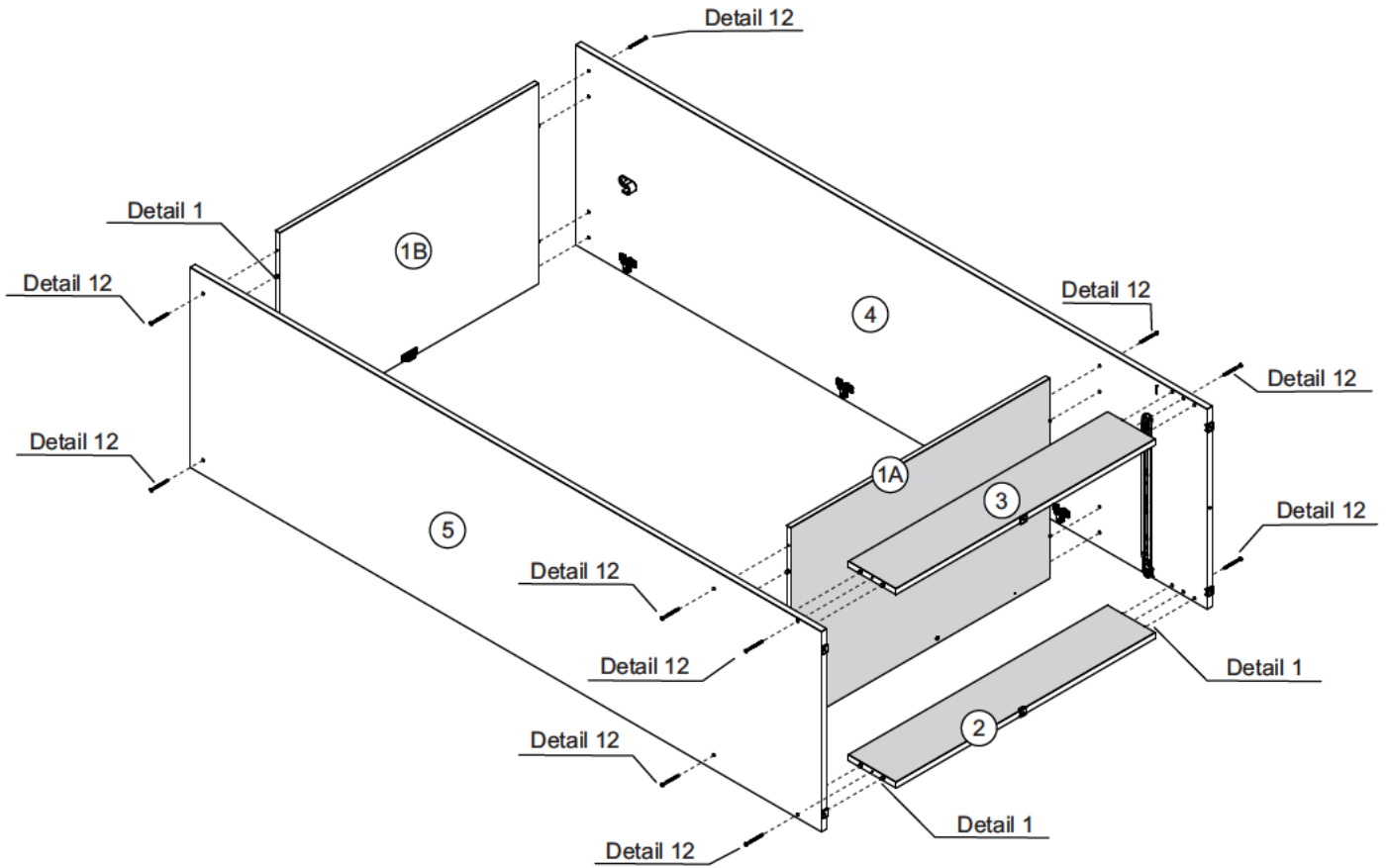


Flat Head Screw
Ø4,0 x 50mm (12x)

V



Glue

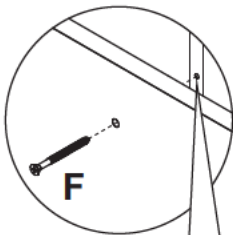


Detail 1



Please note
pre-drill

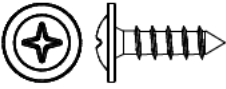
Detail 12



Please note
pre-drill

2

B



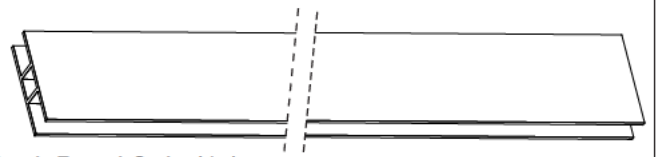
Flan Head Screw
Ø4,0 x 14mm (6x)

H

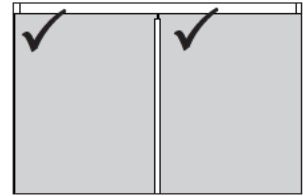
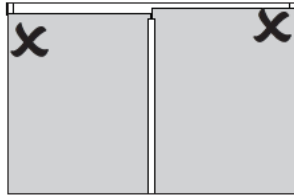


Nail 10 x 10 (46x)

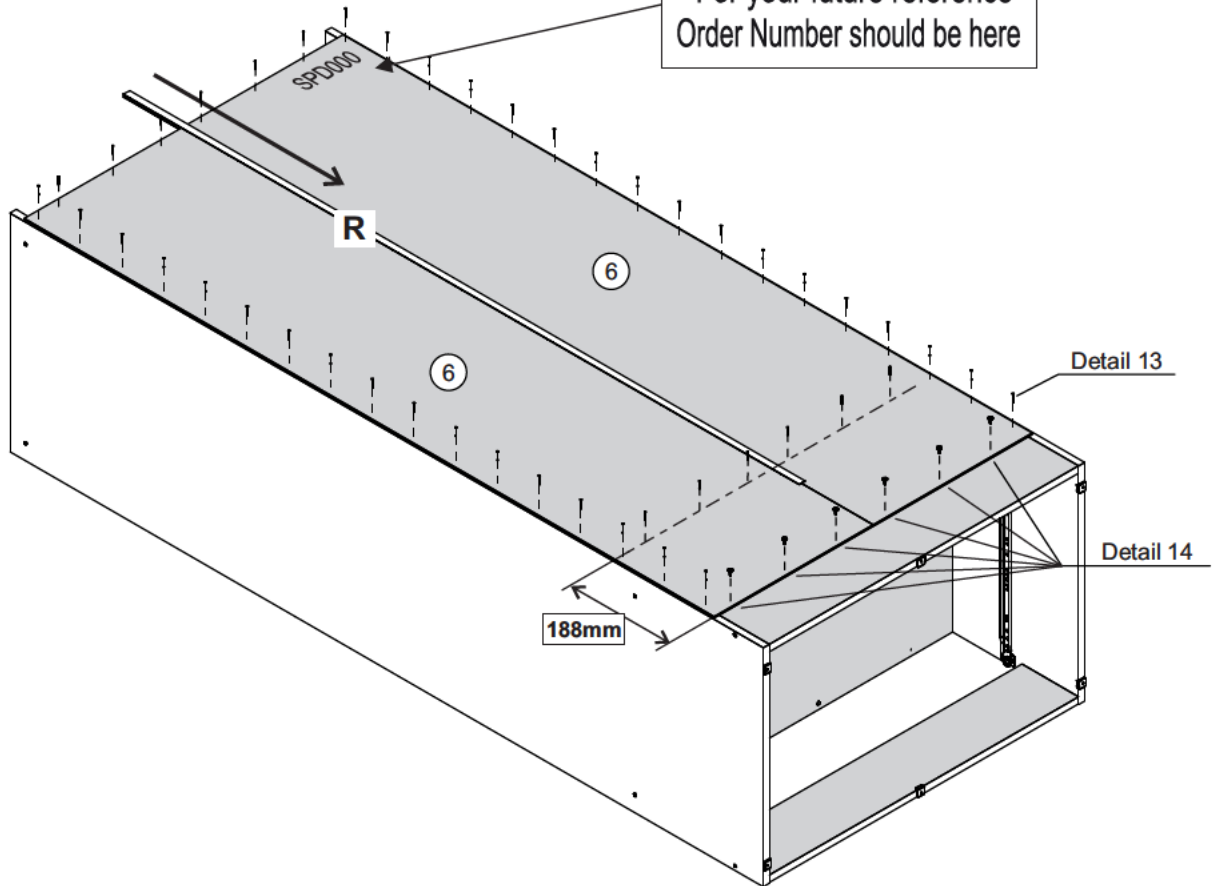
R



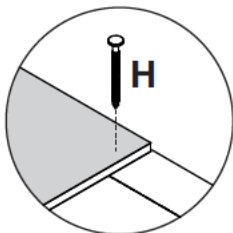
Back Panel Strip (1x)



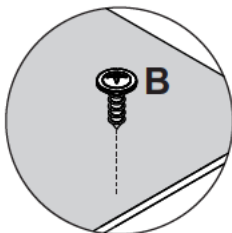
* For your future reference
Order Number should be here



Detail 13

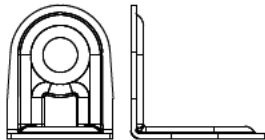


Detail 14



3

J

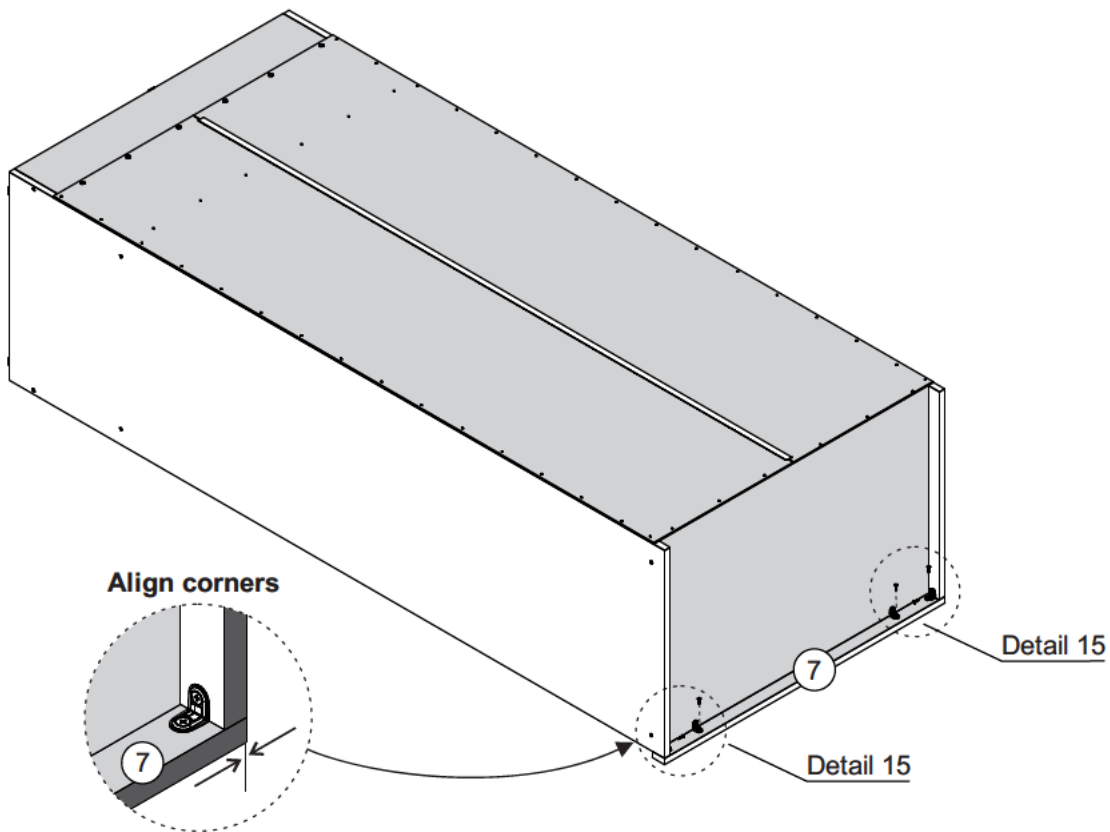


'L' Metallic Support (2x)

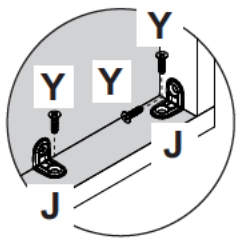
Y



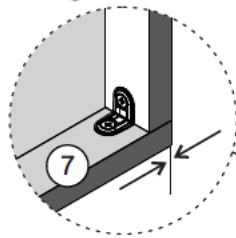
Flat Head Screw
Ø4,0 x 12mm (6x)



Detail 15



Align corners

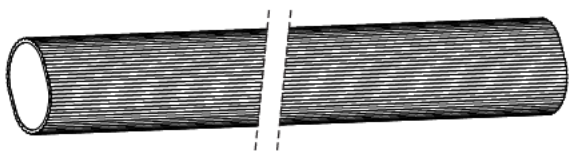


Detail 15

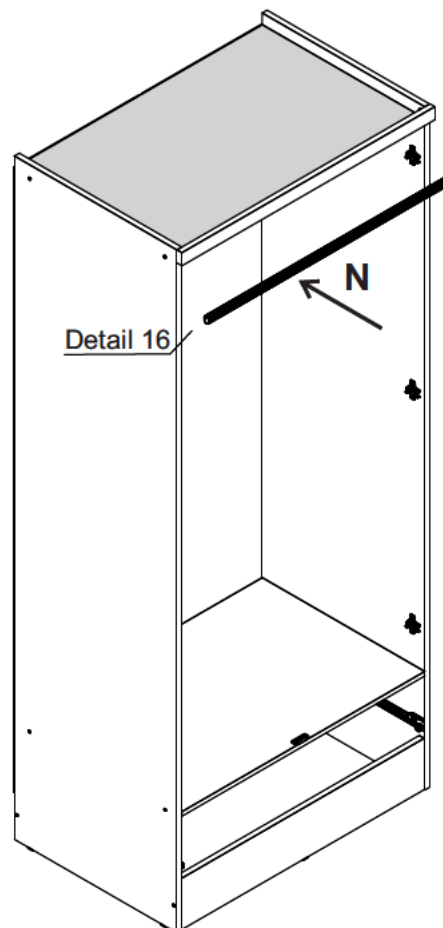
Detail 15

4

N

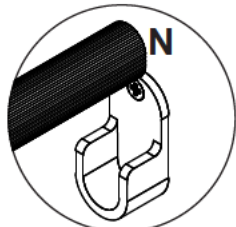





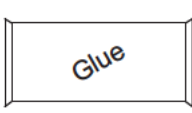
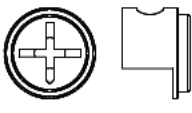
Hanging Rail (1x)



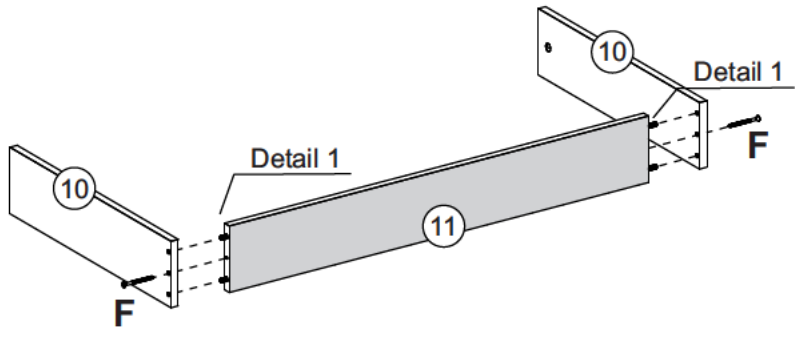
Detail 16

Detail 16

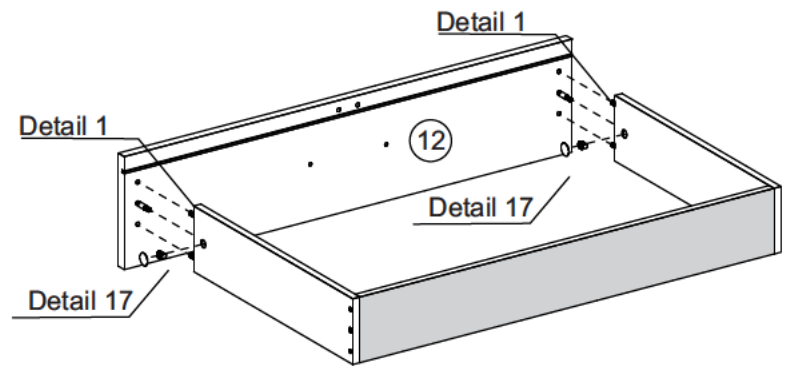


5	F  Flat Head Screw Ø4,0 x 50mm (2x)	H  Nail 10 x 10 (10x)	U  Hole Plugs (2x)
	V  Glue	W  Cam Nut (2x)	

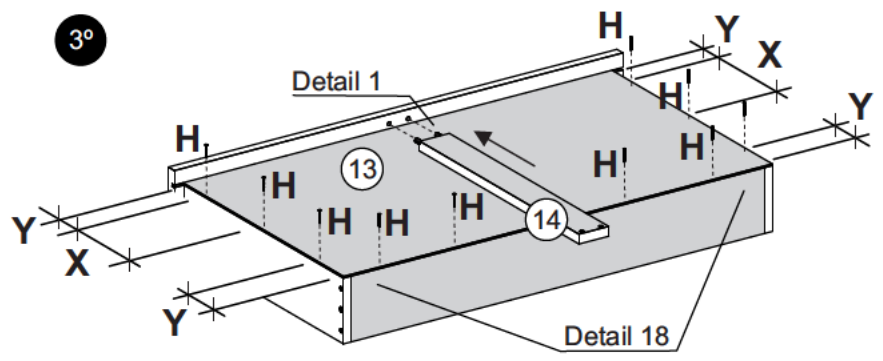
1°



2°

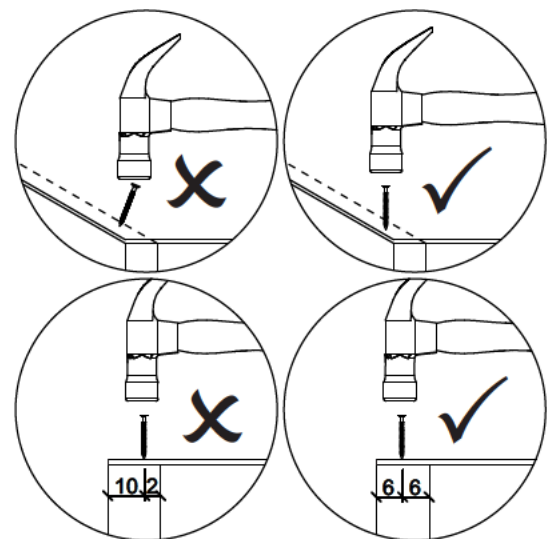
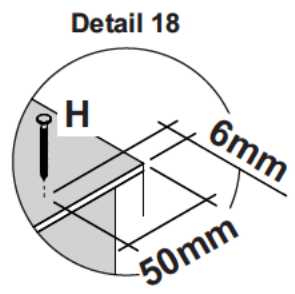
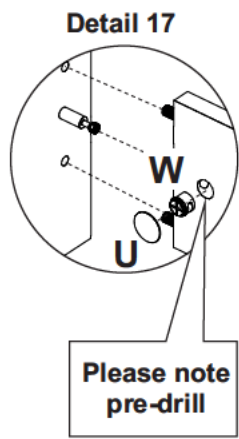


3°

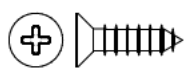
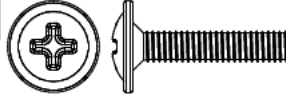
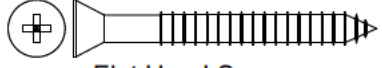
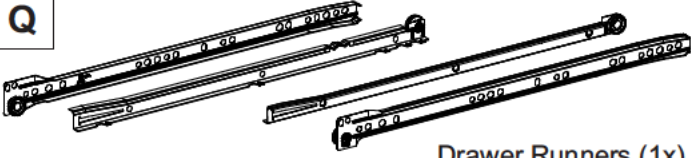



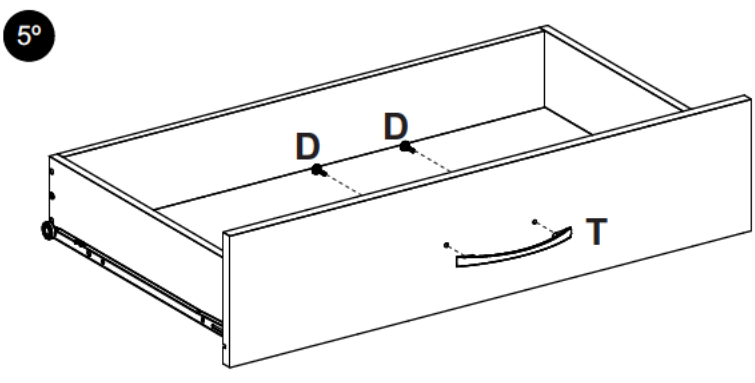
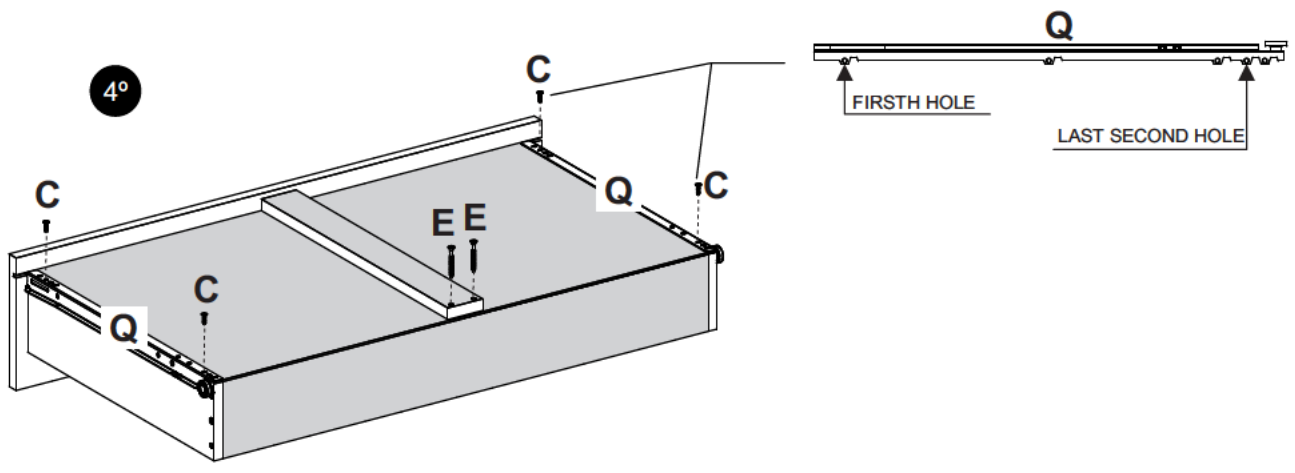
X = 147mm
Y = 43mm

TIPS FOR FIXING DRAWER BOTTOMS

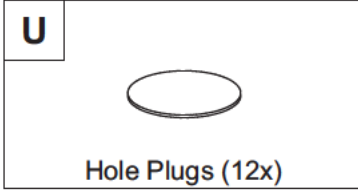
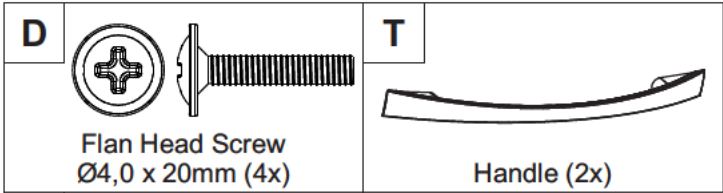


6

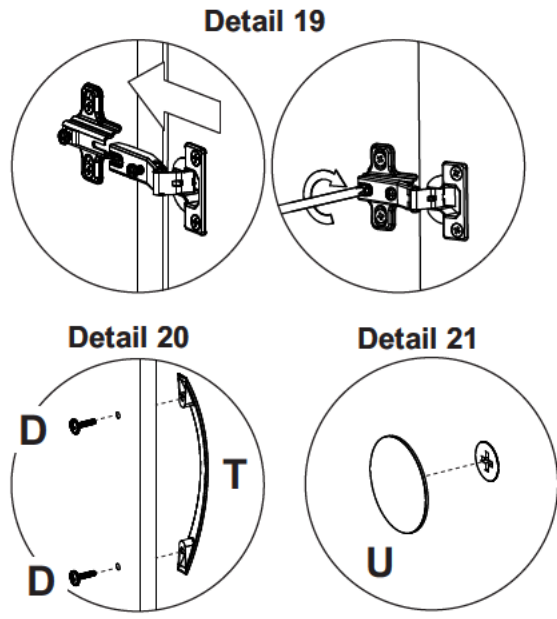
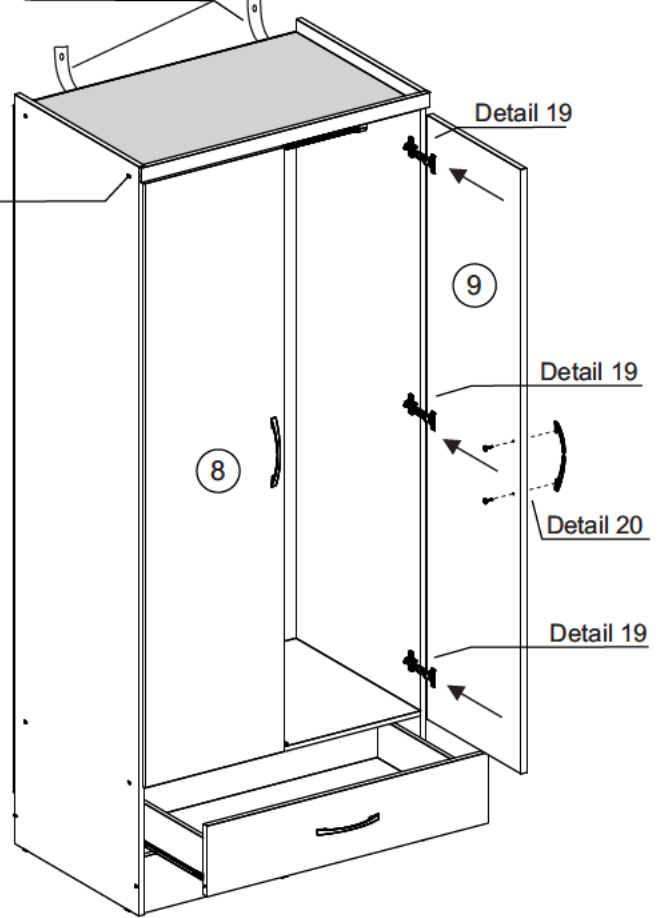
<p>C</p>  <p>Flat Head Screw Ø4,0 x 14mm (4x)</p>	<p>D</p>  <p>Flan Head Screw Ø4,0 x 20mm (2x)</p>	<p>E</p>  <p>Flat Head Screw Ø3,5 x 40mm (2x)</p>
<p>Q</p>  <p>Drawer Runners (1x)</p>		<p>T</p>  <p>Handle (1x)</p>



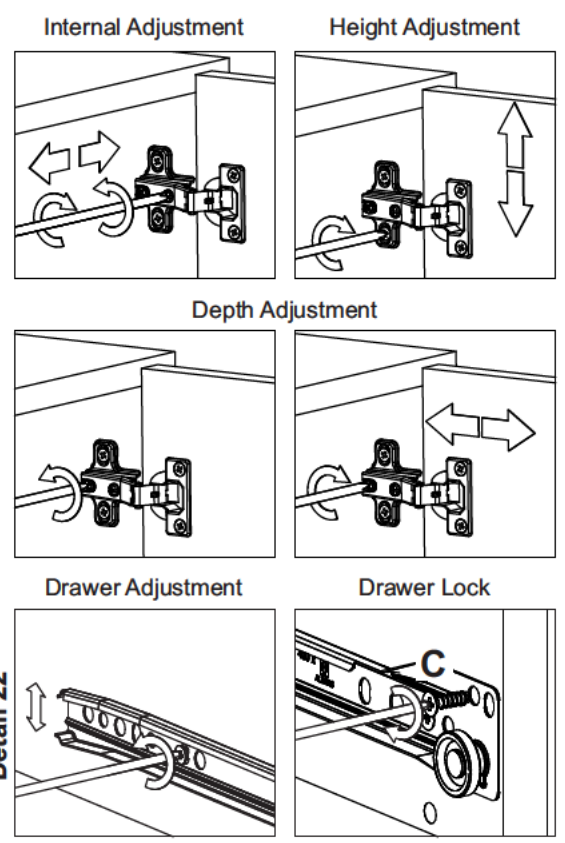
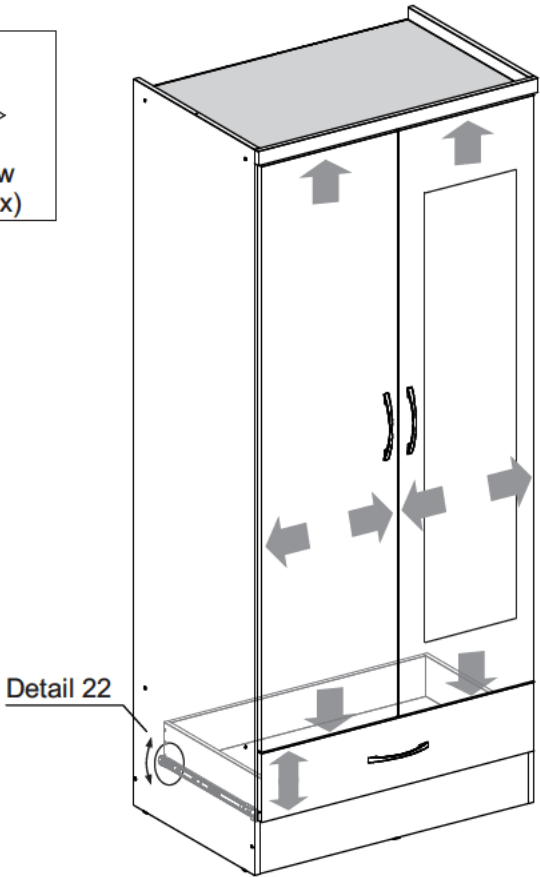
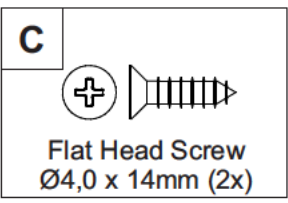
7



 See the last page



8



WARNING

Serious or fatal injuries can occur from furniture tipping over. To prevent the furniture from tipping over we recommend that it is permanently fixed to the wall.

Wall fixings are not supplied with this product as different wall materials require different types of fixing devices.

Please make sure you use fixings suitable for the walls in your home.

