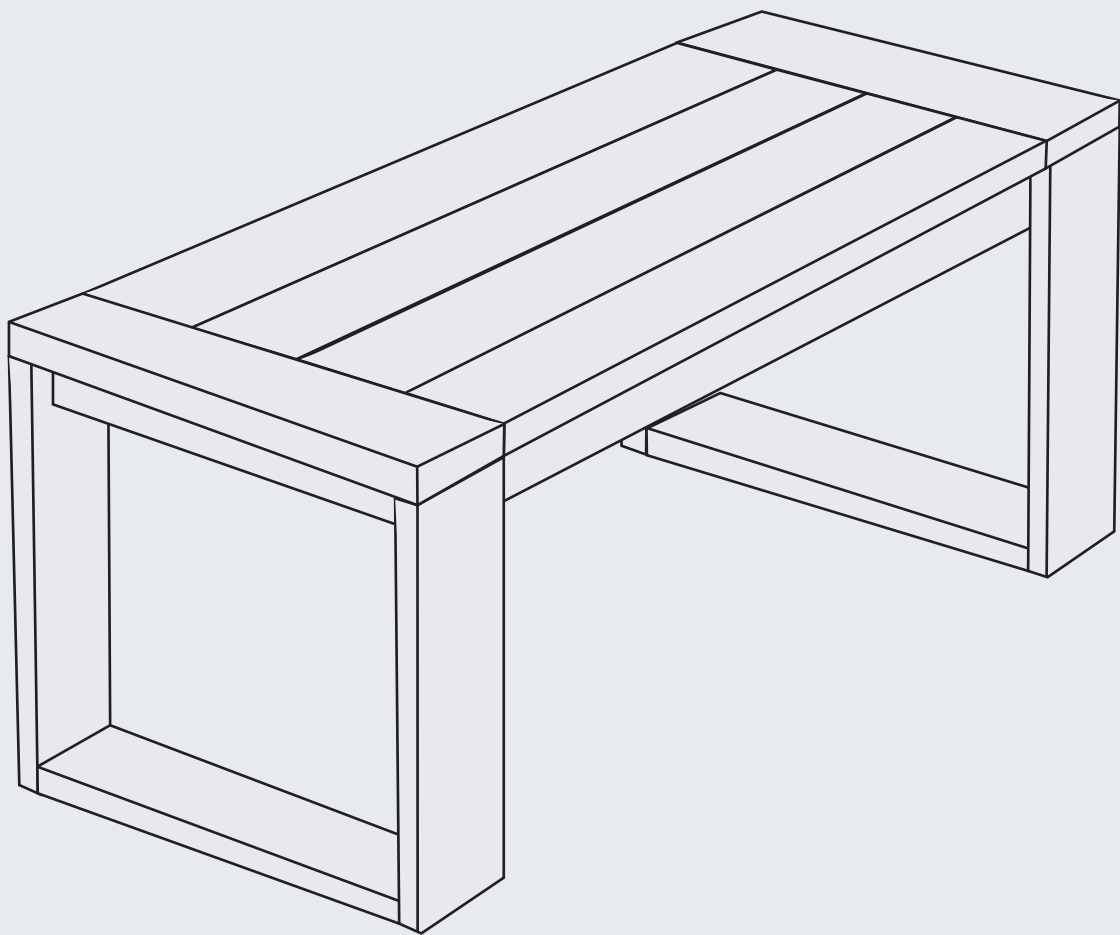


# INSTRUCTION MANUAL



Patio Coffee Table

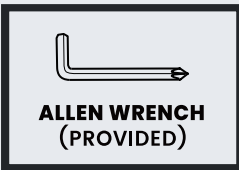
V1.0

## ! CARE & MAINTENANCE

### Please keep this instruction for your future reference.

- Be careful when assembly, avoid hurting the top surface.
- Clean the table with lukewarm water, mild detergent & soft cloth.
- Firmly secure all bolts before use, do not use any part of this item as a step ladder.
- Reconfirm that all bolts, screws, and nuts are secure every 90 days.
- Do not use or store this item in the proximity of open flame or flammable/combustible chemicals.
- Be aware that some parts are heavy and have sharp edges.
- Do not overtighten screws. (Insert all screws before tighten screws.)
- Please do not exceed the weight limitations of this item.

## TOOLS REQUIRED



**TABLE  
300 LBS  
CAPACITY**

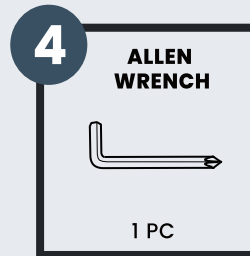
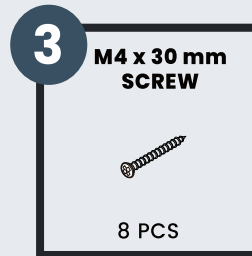
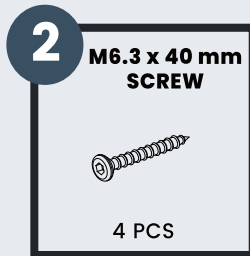
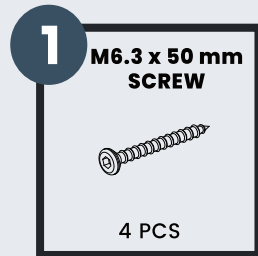


**1 PERSON  
ASSEMBLY**

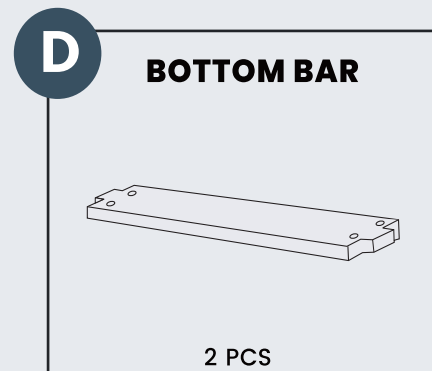
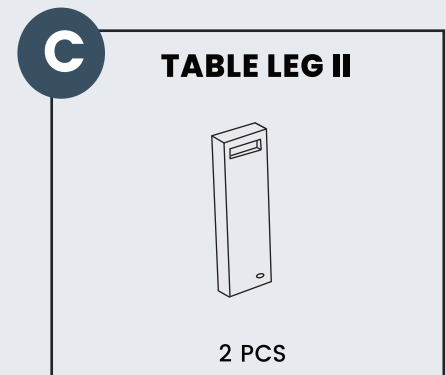
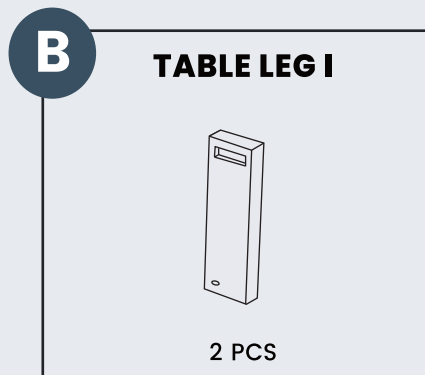
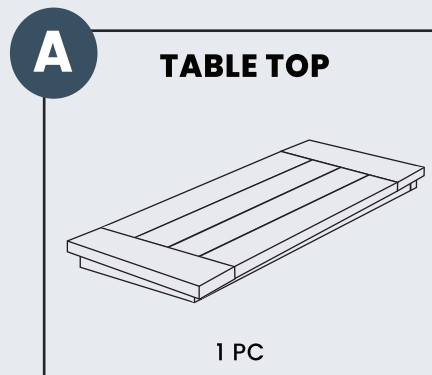


**UP TO 20 MIN.  
ASSEMBLY**

## HARDWARE

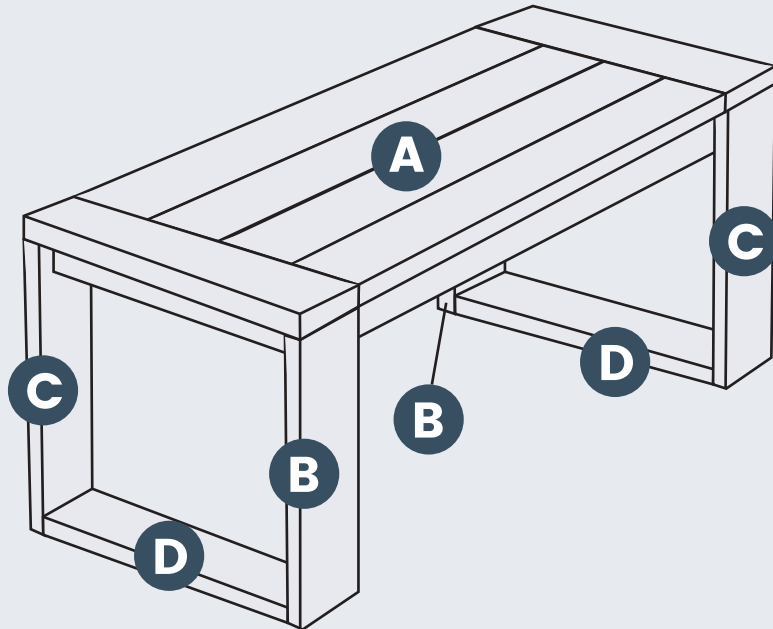


## PARTS



## PRODUCT ASSEMBLY - OVERALL VIEW

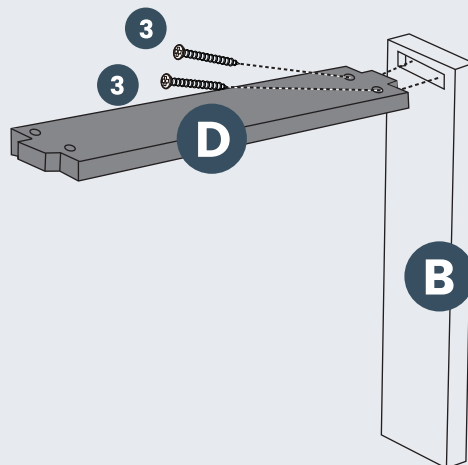
Look at following overall view of this table and learn the exact position of each parts to be assembled.



## PRODUCT ASSEMBLY

**1**

Attach **Part D Bottom Bar** to **Part B Table Leg I** with 2 pcs of **Hardware #3 Screw**.

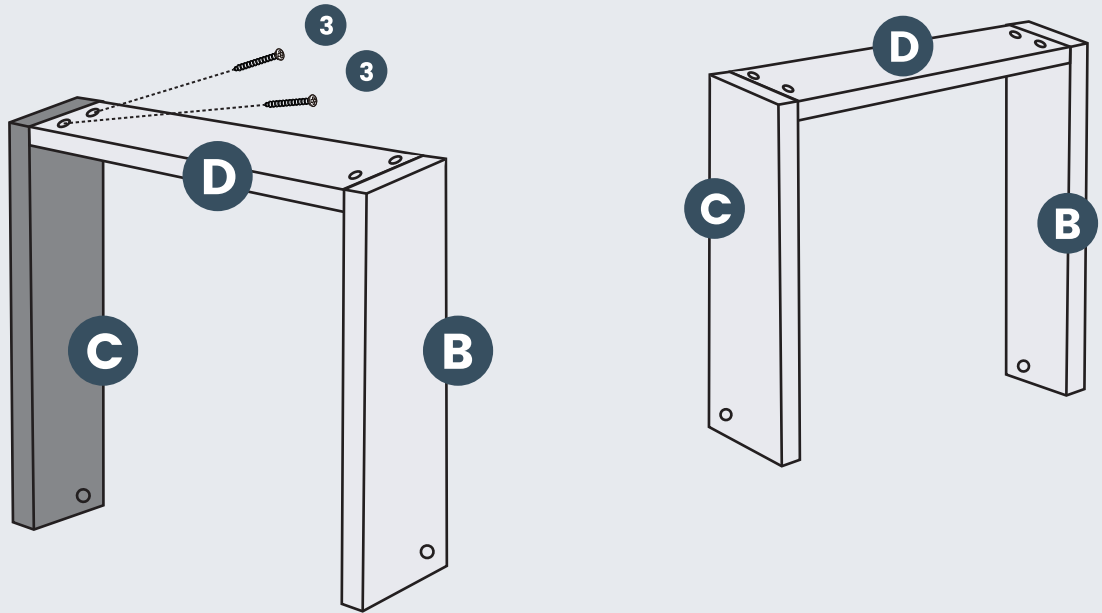


## PRODUCT ASSEMBLY

2

Attach **Part C Table Leg II** to **Part D Bottom Bar** with 2 pcs of **Hardware #3 Screw**.

Do the same to assemble another Part B, Part D and Part C.

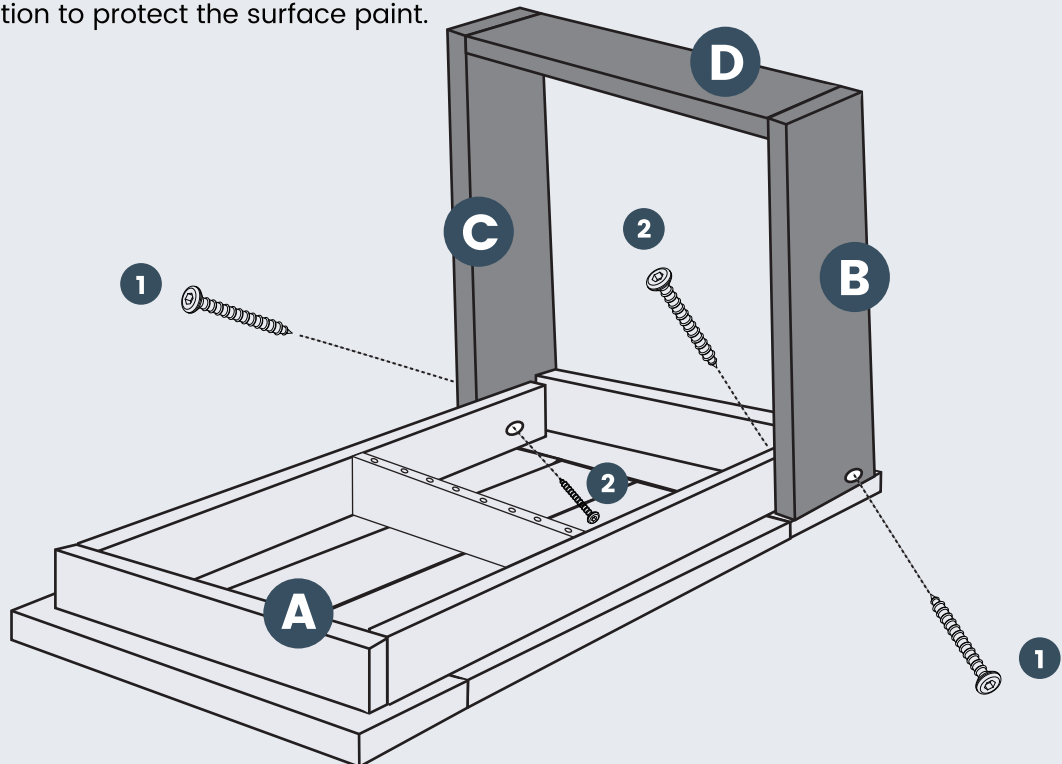


3

Place **Part A Table Top** upside down on flat floor.

Attach **Combined Part (B+D+C)** to **Part A Table Top** with 2 pcs of **Hardware #1 Screw** and 2 pcs of **Hardware #2 Screw** as below.

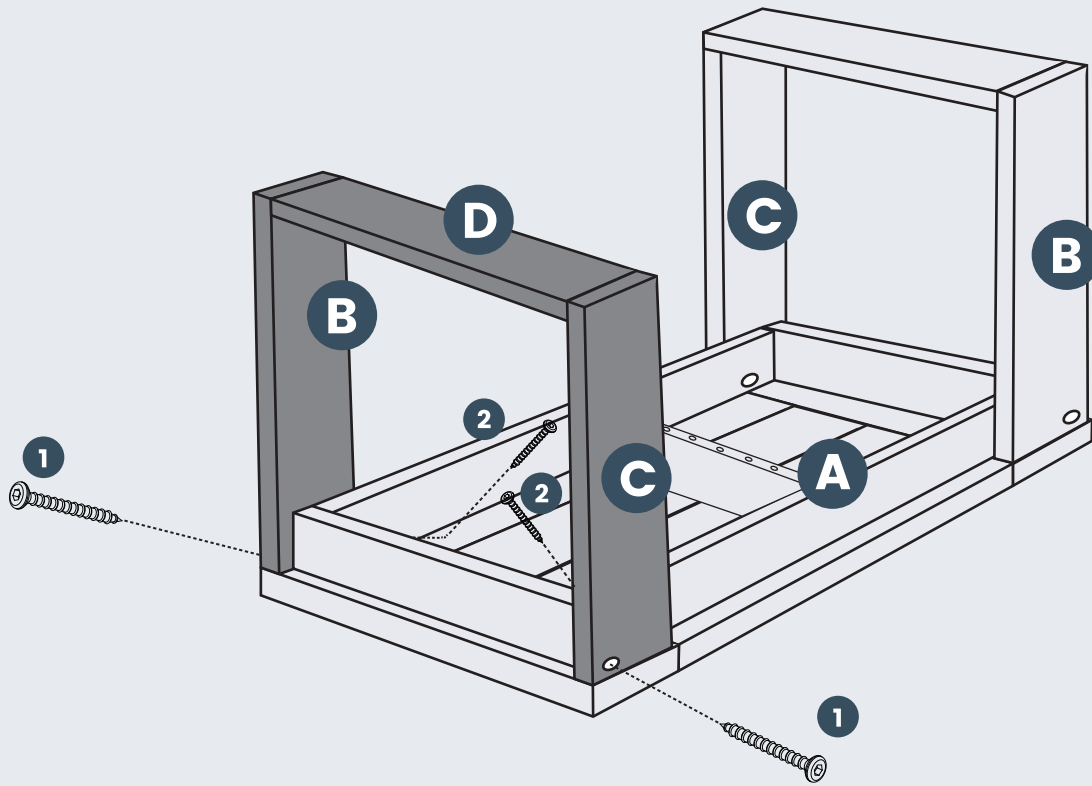
Pay attention to protect the surface paint.



## PRODUCT ASSEMBLY

4

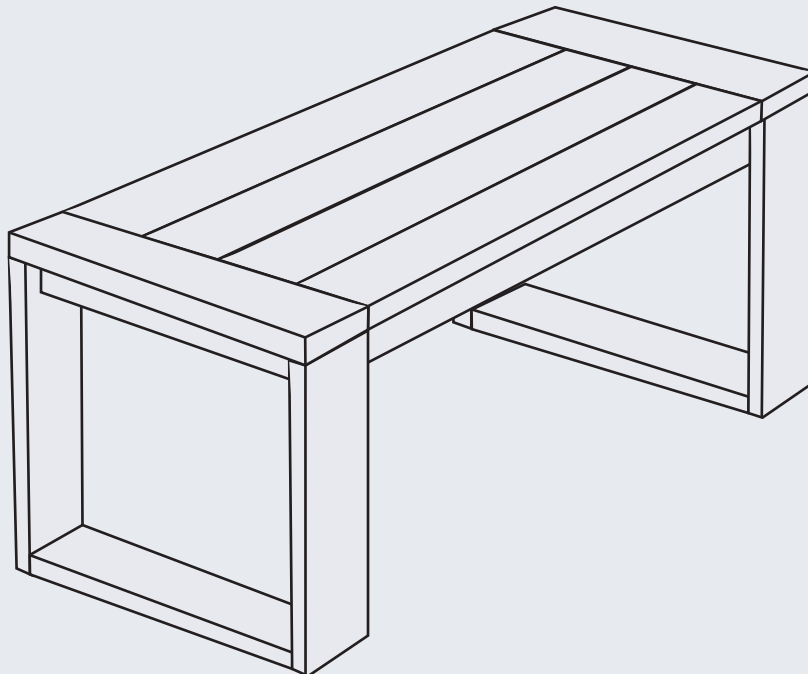
Attach another piece of **Combined Part (B+C+D)** to **Part A Table Top** with 2 pcs of **Hardware #1 Screw** and 2 pcs of **Hardware #2 Screw**.



5

Check and tighten all the screws when the parts are loosely attached.

Enjoy the table now.



---

## CLEANING TIPS

**REGULAR CLEAN:** Use a mixture of warm water and mild soap. Gently scrub the surface with a soft bristle brush to remove any dirt or stains.

**QUICK CLEAN:** You can simply wipe down the furniture with a damp cloth.

Regular cleaning not only preserves the aesthetic appeal of your furniture, but also helps extend its lifespan.