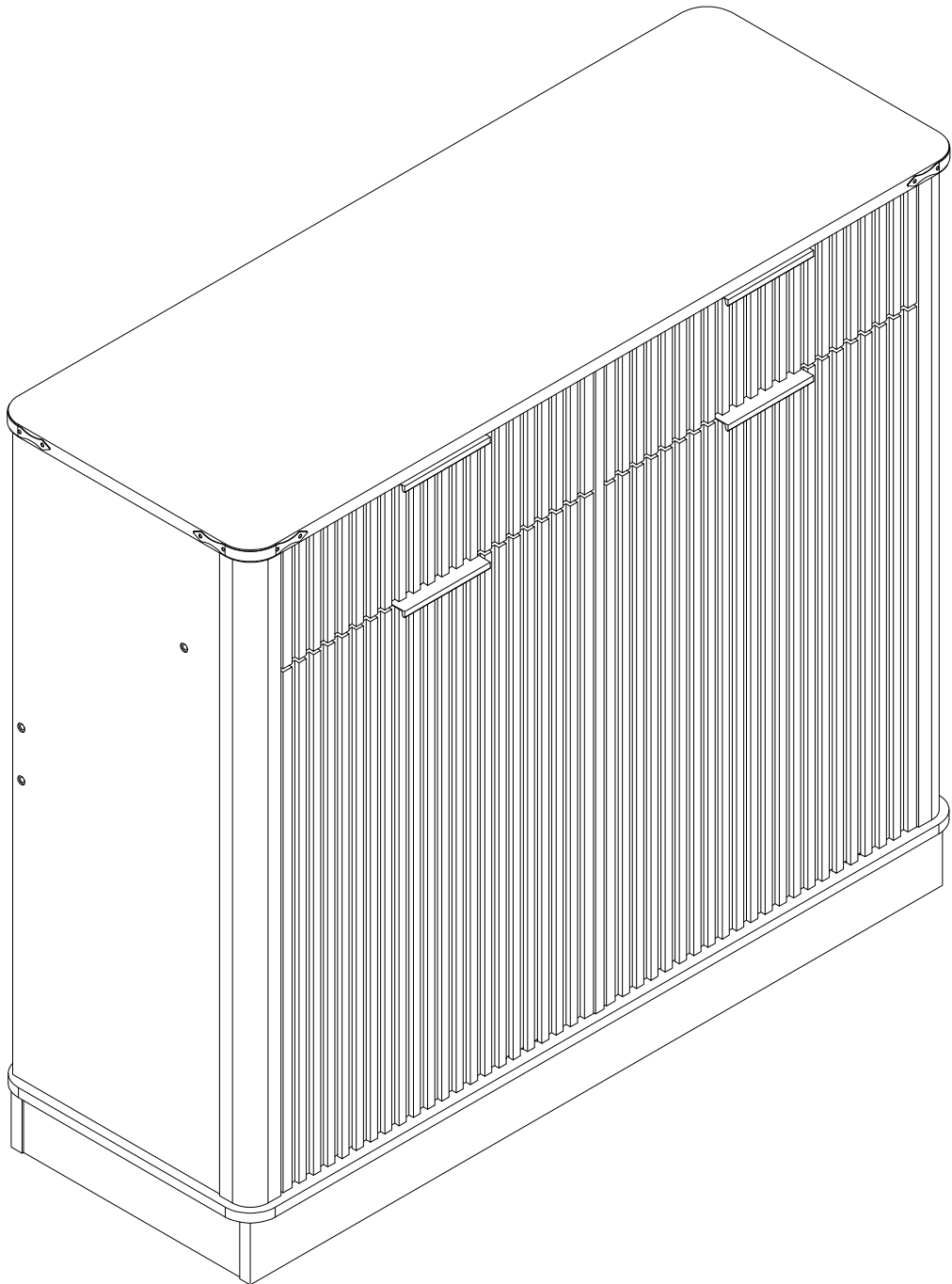


DJ0977

Assembly Instruction



Important reminder:

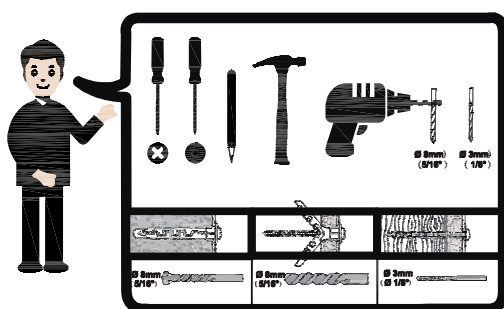
- ⚠ Please sort and check all accessories before assembly.
- ⚠ Please place the product on empty cardboard box or carpet to avoid scratches on it,
- ⚠ Please use proper tools for assembly. Using an electric screwdriver can accelerate the assembly speed, but please do not overtighten the screws.
- ⚠ Please follow the assembly steps and do not skip any of them.
- ⚠ If possible, please find a partner to help you with assembly, which can accelerate assembly.
- ⚠ Keep all small parts of this product away from children. They may cause serious injury.
- ⚠ We hope you can retighten the screws 2 weeks after assembly, and check the tightening procedure of the screws every 3 months.

If you meet any difficulty, our friendly customer team are always ready to help you.

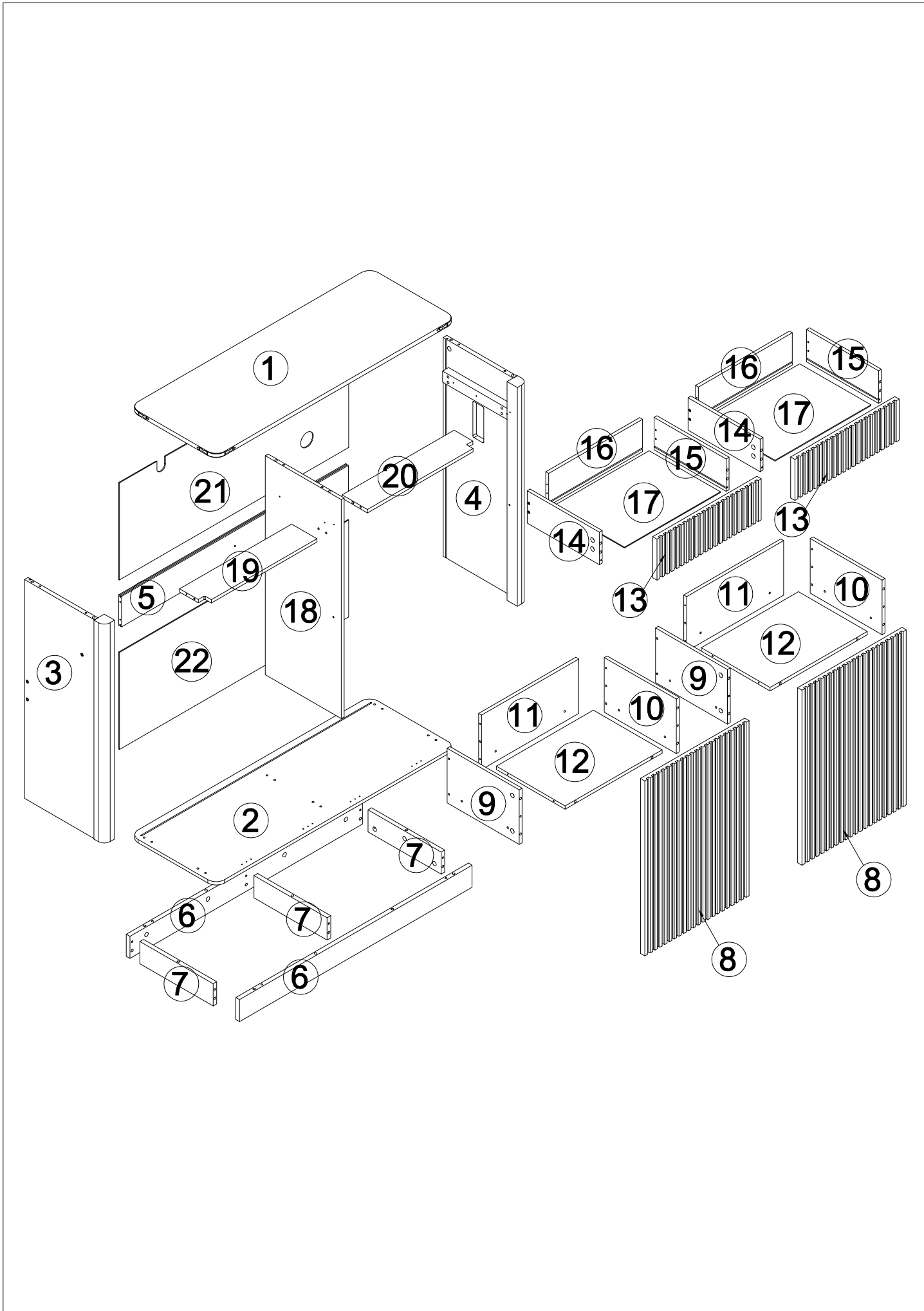
"SAFETY TIPS:

Static charge may cause dust on foam - clean with a dry or damp cloth. Small foam strands may be present - handle gently and dispose of properly.

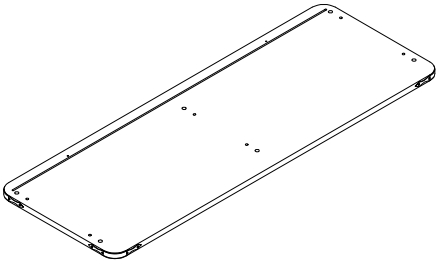
Do not burn or incinerate. Check local recycling guidelines."



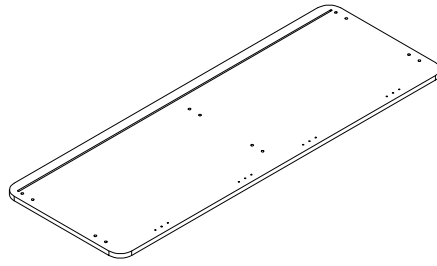
Warning:Overturning the product can cause serious crushing injuries. We have a wall connection device attached, please use it to hold the furniture following assembly instructions. Do not change the structure of this product in way. Our products have been tested and meet any all sales specific security measures. We won't be responsible for any modifications, which may cause significant security risks.



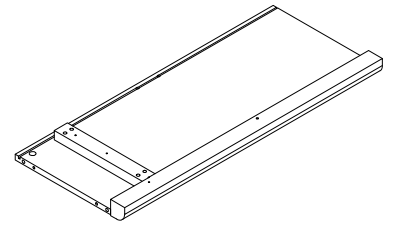
PARTS LIST



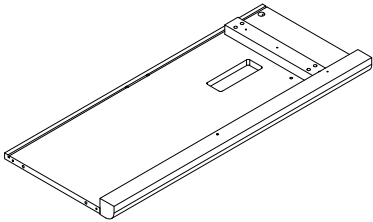
① X1



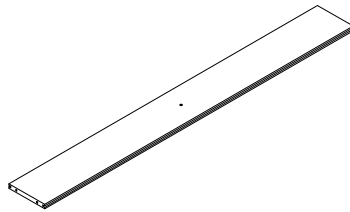
② X1



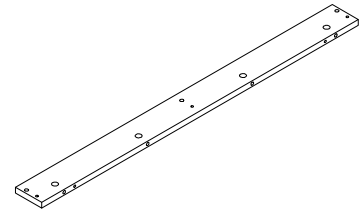
③ X1



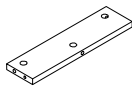
④ X1



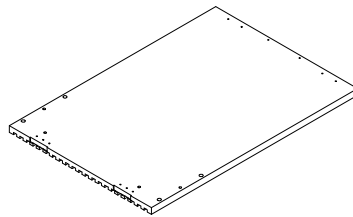
⑤ X1



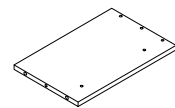
⑥ X2



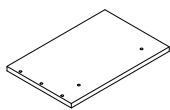
⑦ X3



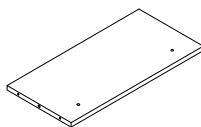
⑧ X2



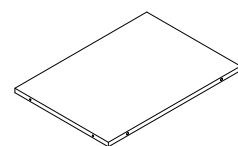
⑨ X2



⑩ X2

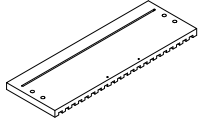


⑪ X2

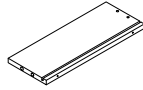


⑫ X2

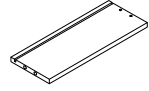
PARTS LIST



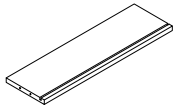
13X2



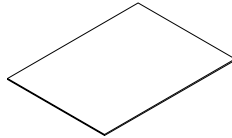
14X2



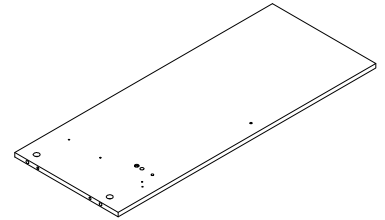
15X2



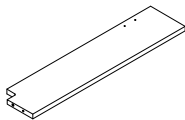
16X2



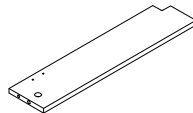
17X2



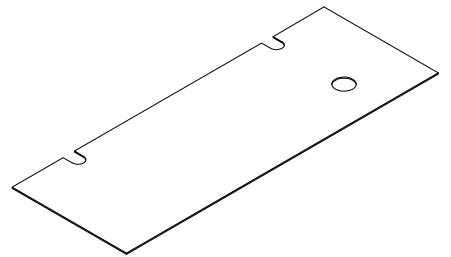
18X1



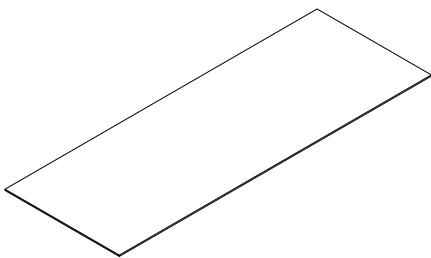
19X1



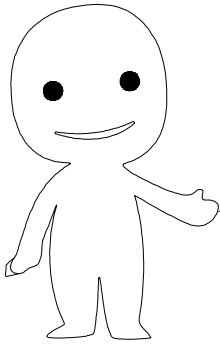
20X1



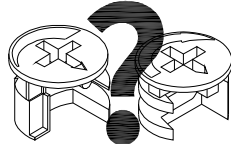
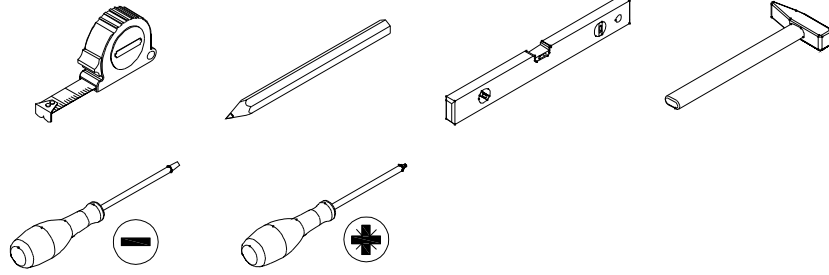
21X1



22X1

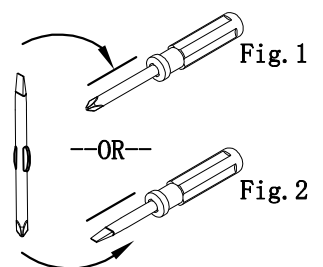


Please prepare the following tools


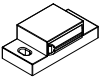

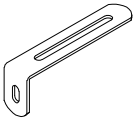
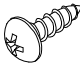
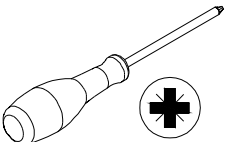


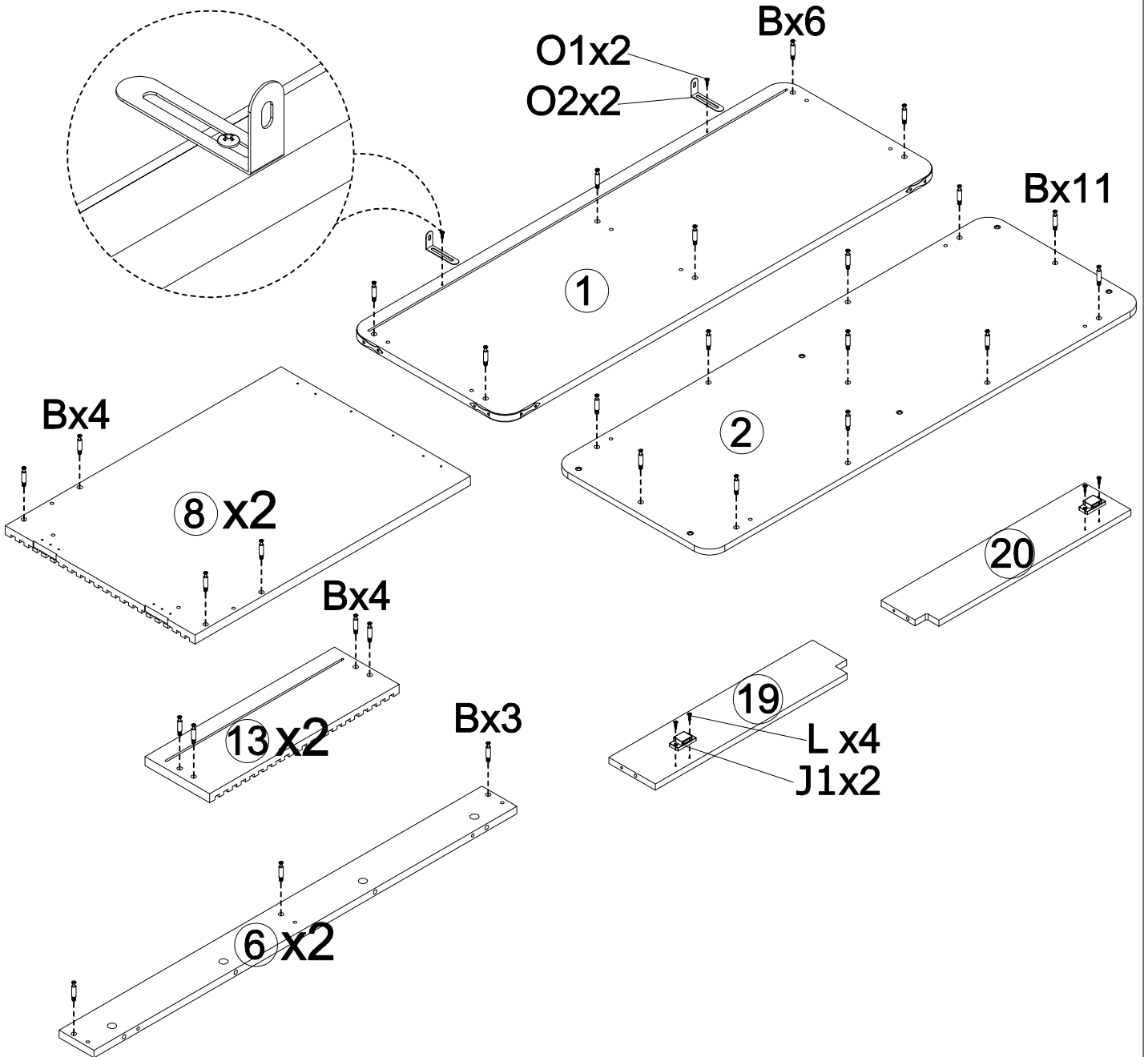
When installing, please carefully confirm whether each screw corresponds to the manual, accessories with similar shapes can be distinguished by size

<p>A x 40+2</p> <p>Ø15 x 9.5 mm</p>	<p>B x 40+2</p>	<p>C x 72+2</p>	<p>D x 38+2</p> <p>Ø6 x 30 mm</p>
<p>E x 33+2</p> <p>Ø5 x 45 mm</p>	<p>F x 4</p>	<p>G x 40+2</p> <p>Ø3.5 x 12</p>	<p>H x 4</p>
<p>I x 29+2</p> <p>Ø3 x 12</p>	<p>J</p> <p>J 1x2 J 2x2</p>	<p>K x 8+1</p>	<p>L x 12+1</p> <p>Ø3 x 16</p>
<p>M x 9+1</p> <p>Ø4 x 30</p>	<p>N</p> <p>N1 x 2 N3 x 2 N2 x 2</p>	<p>O</p> <p>O1 x 2 O2 x 2</p>	<p>P x 4+1</p>
<p>Q</p> <p>Q1(CL) x 2 Q1(DL) x 2 Q2(DR) x 2 Q2(CR) x 2</p> <p>12Inch/300mm 12Inch/300mm</p>		<p>R x 1</p>	

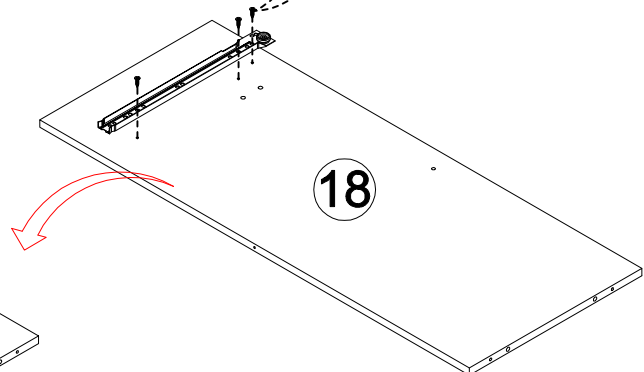
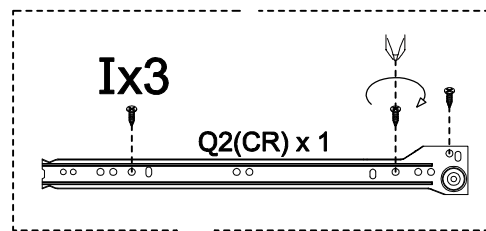
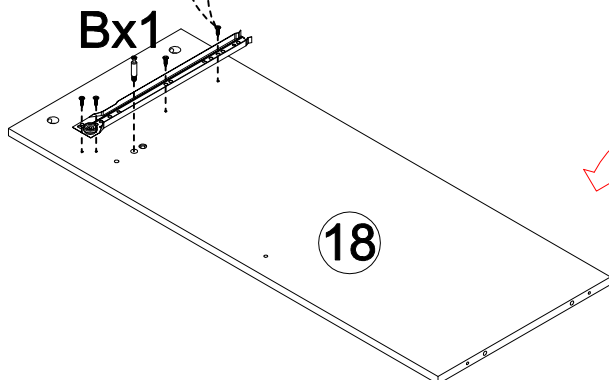
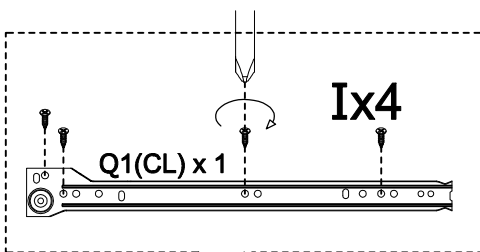
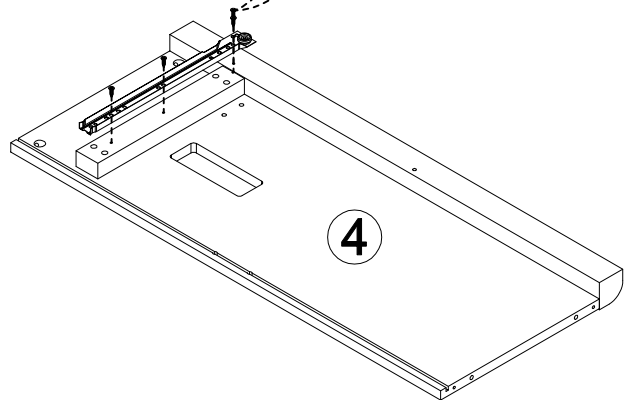
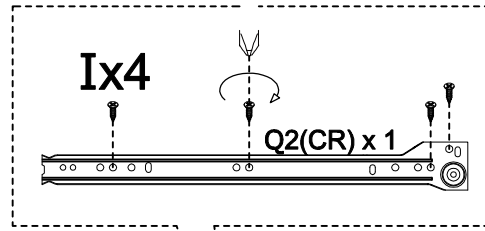
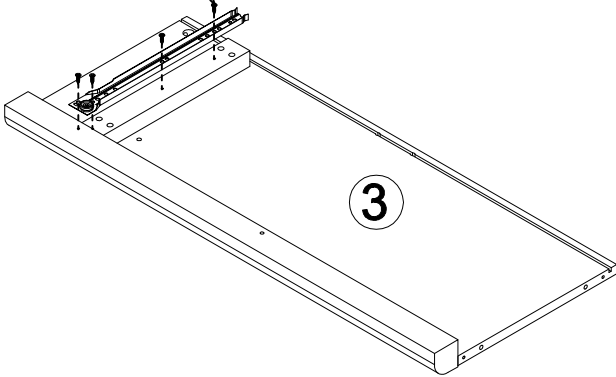
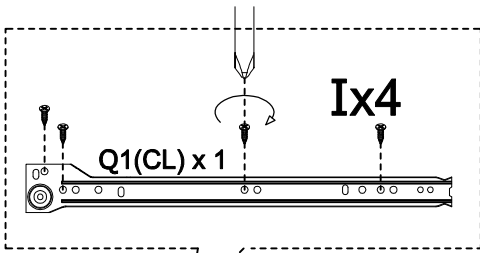
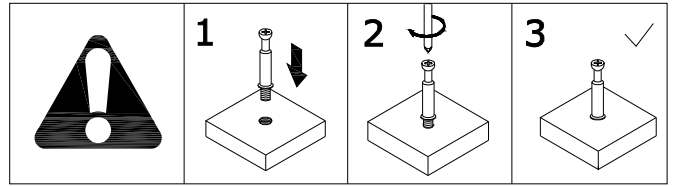
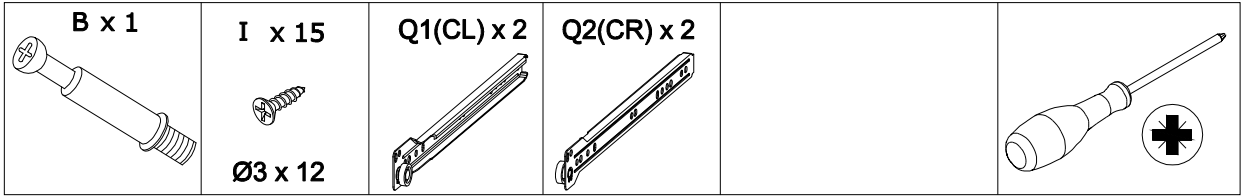


1

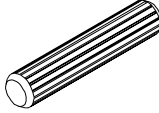
 B x 39	 J2 x 2	 L x 4 Ø3 x 16	 O1 x 2	 O2 x 2 Ø3.5 x 12	
---	---	---	---	--	---

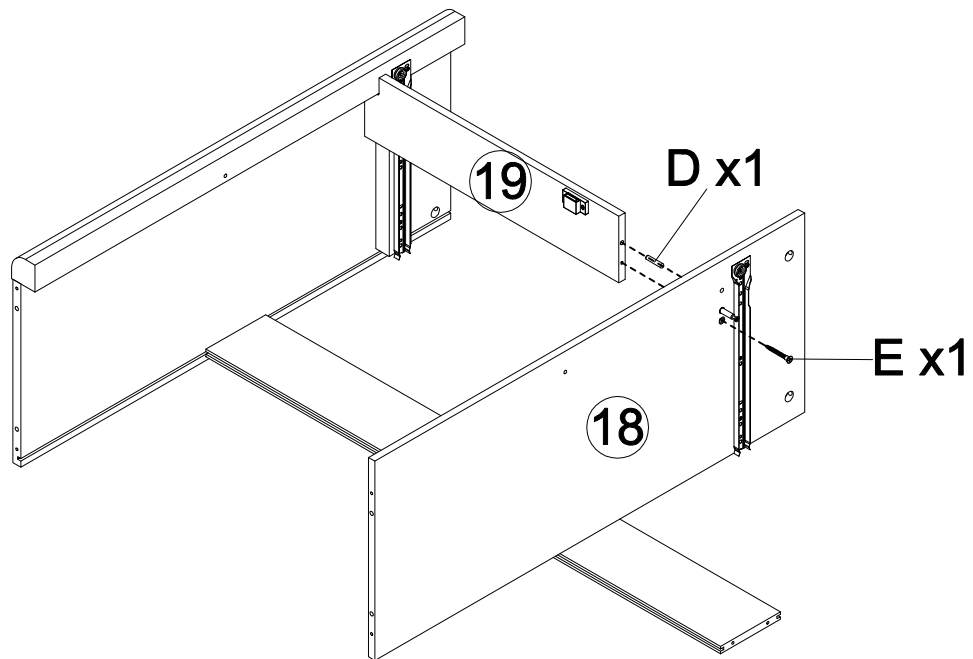
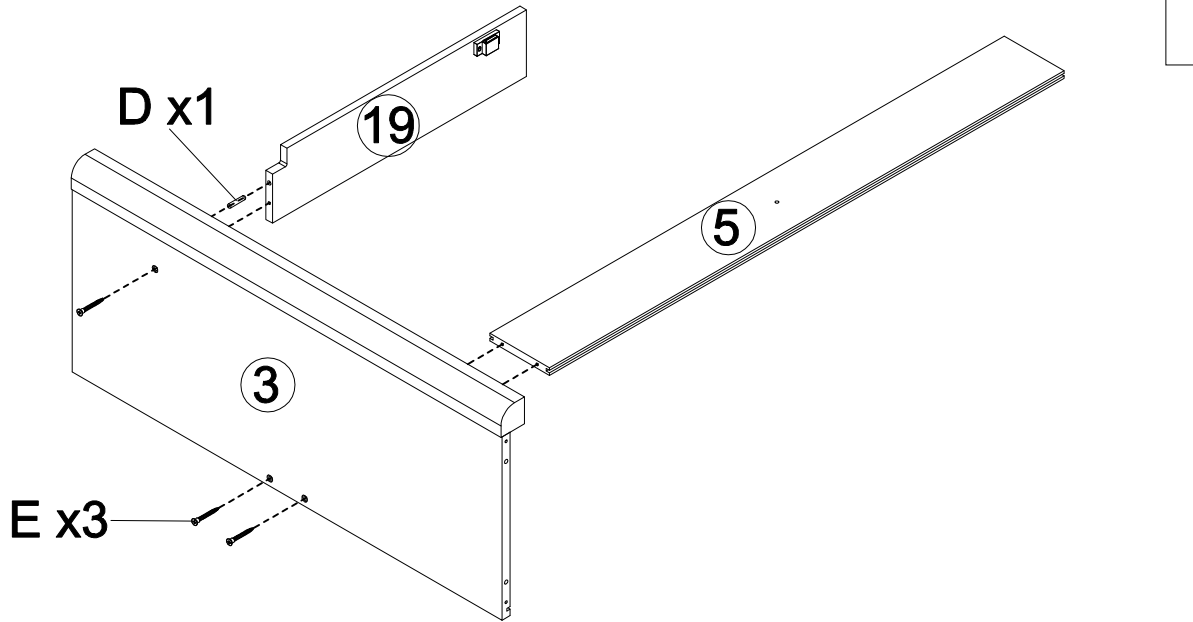
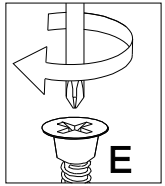


2


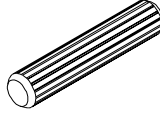
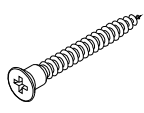


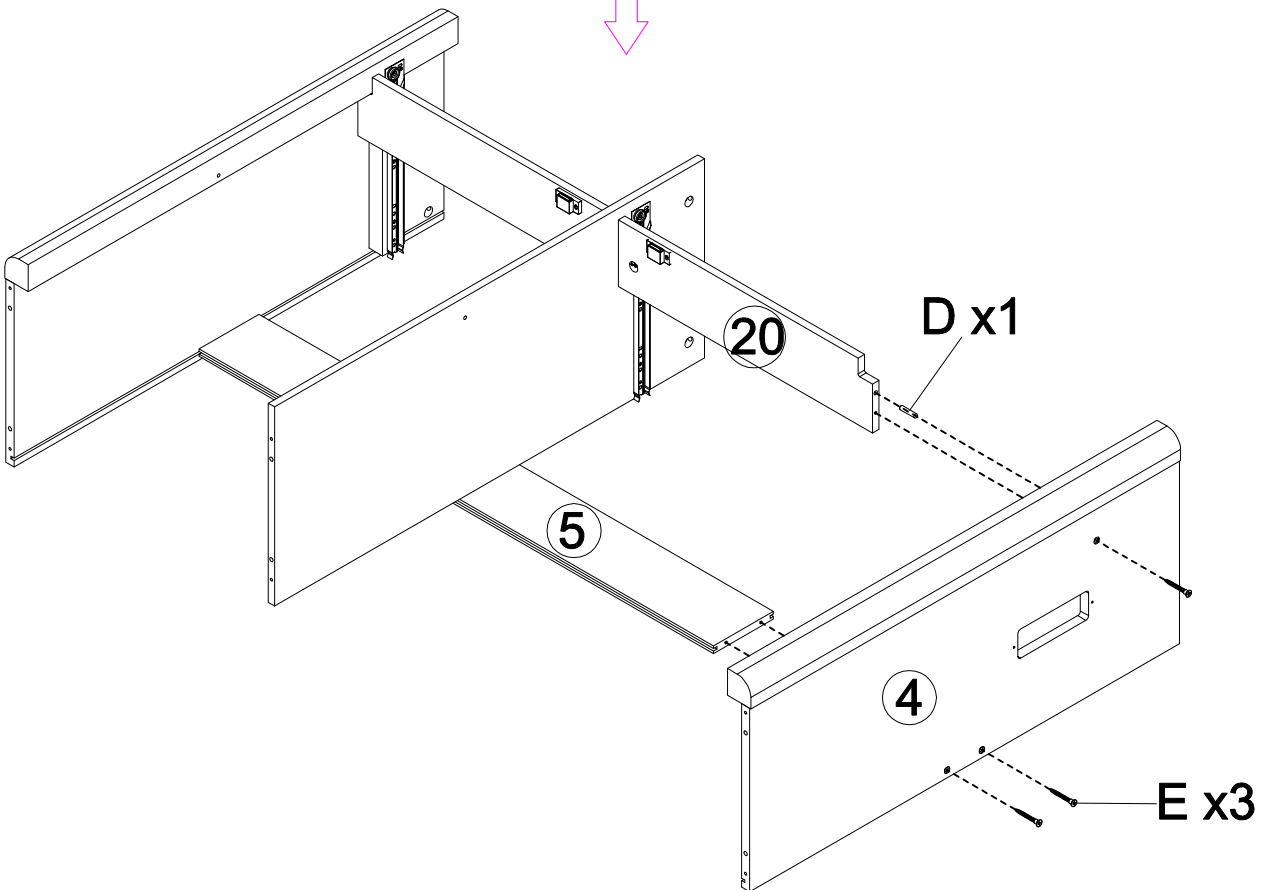
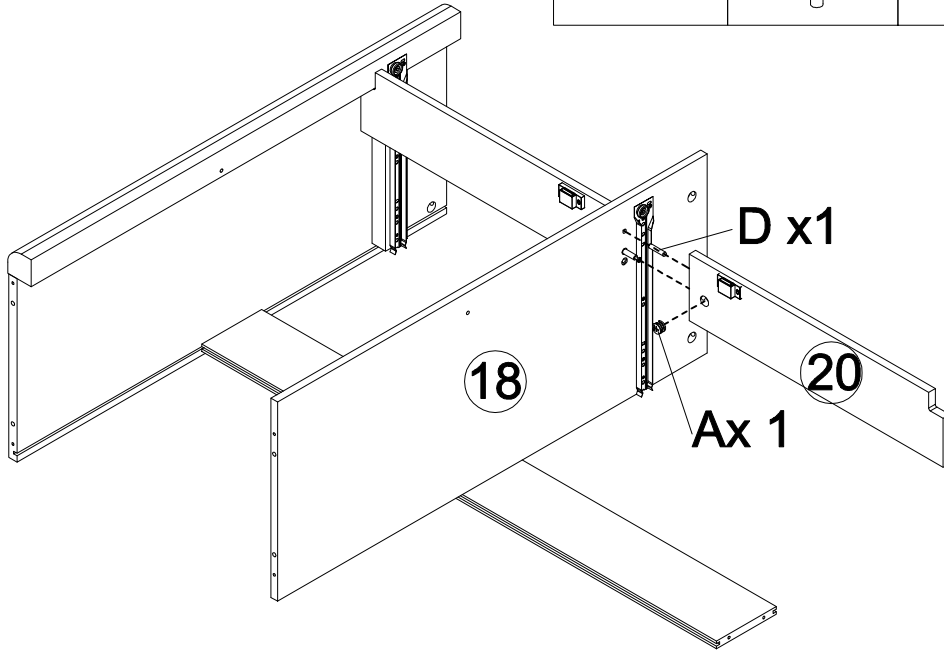
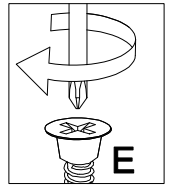
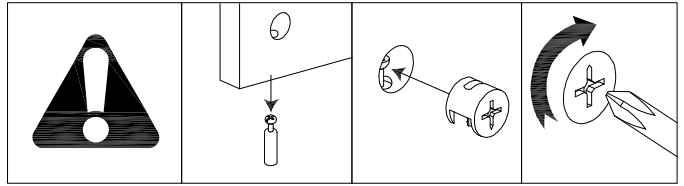
3

<p>D x 2</p>  <p>Ø6 x30 mm</p>	<p>E x 4</p>  <p>Ø5 x45 mm</p>
---	---

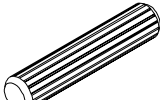
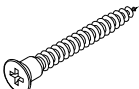

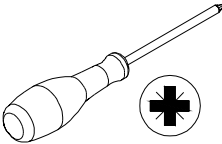


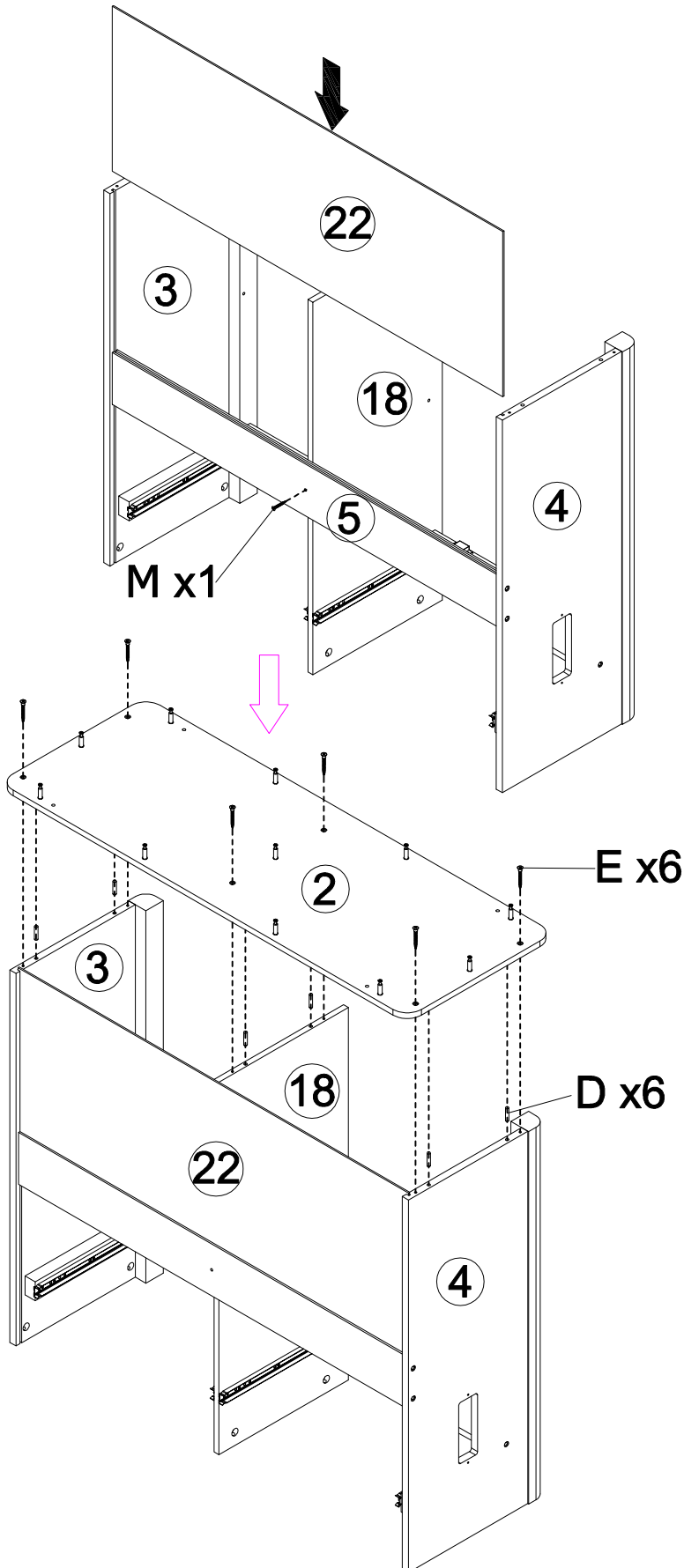
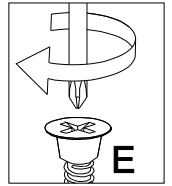
4

A x 1  Ø15 x 9.5 mm	D x 2  Ø6 x30 mm	E x 3  Ø5 x45 mm	
---	--	--	--


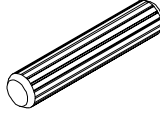
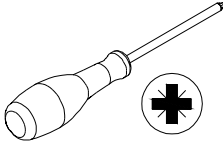




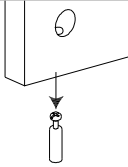
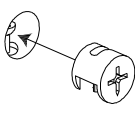
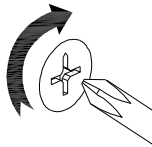
5

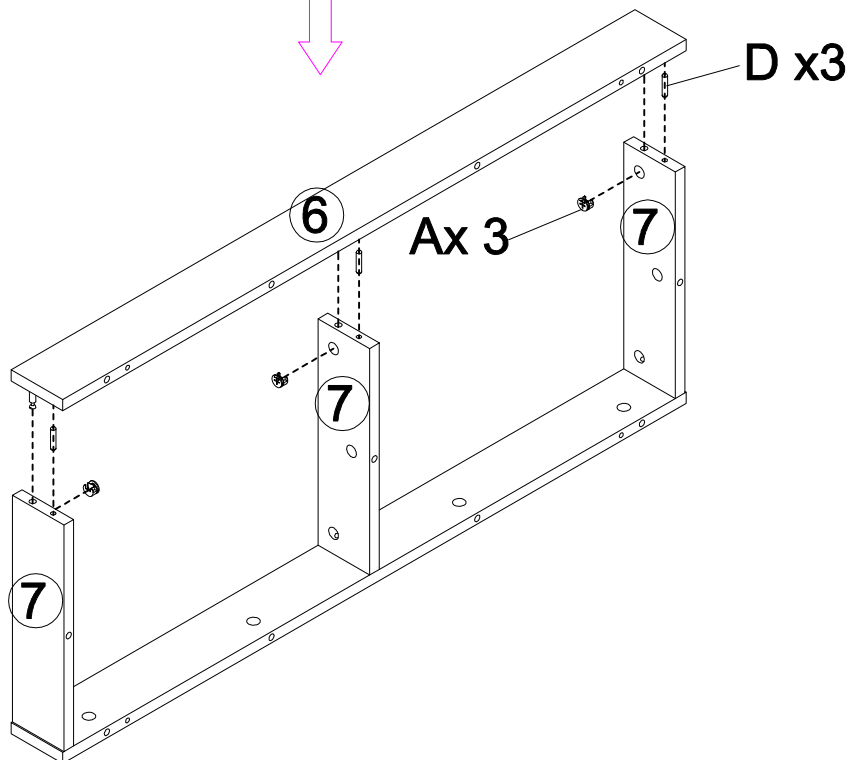
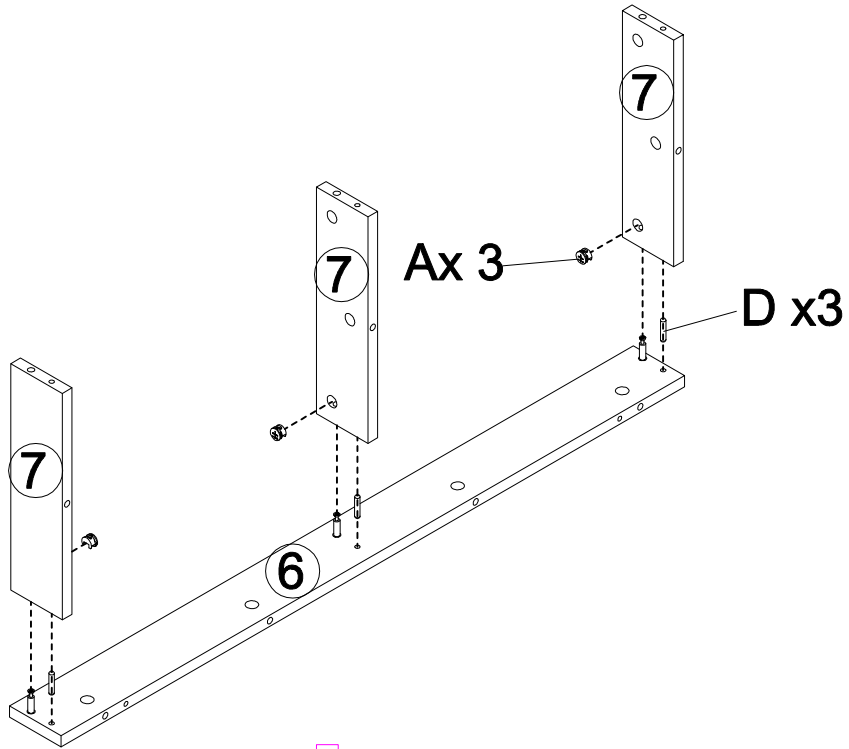
D x 6  Ø6 x30 mm	E x 6  Ø5 x45 mm	M x 1  Ø4 x 30	
--	--	--	---




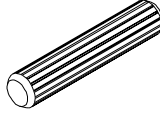
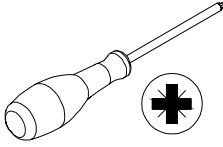
6


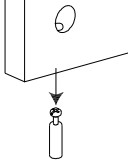
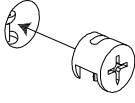
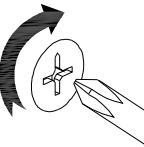
A x 6  Ø15 x 9.5 mm	D x 6  Ø6 x 30 mm	 
---	---	--

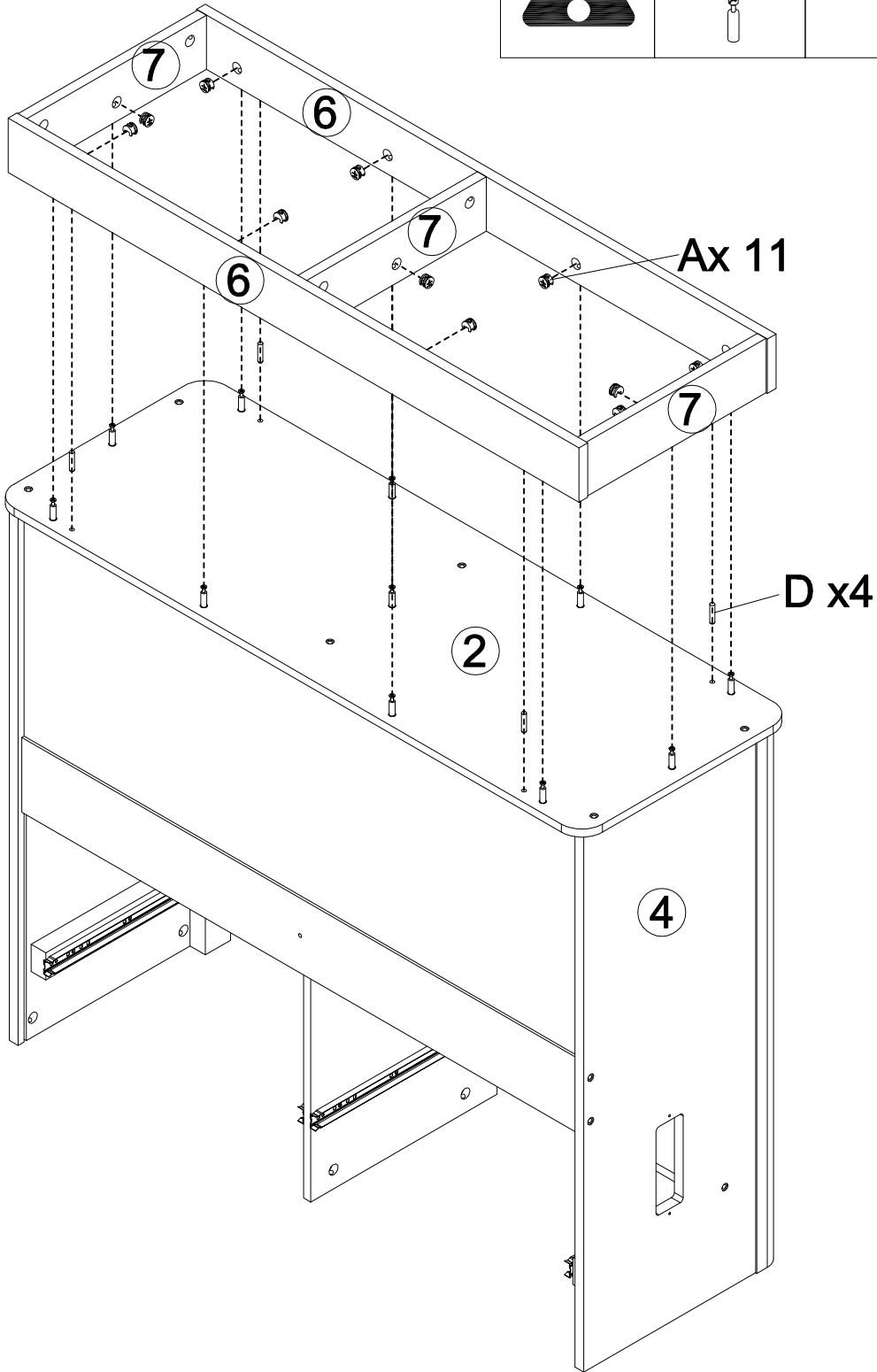
			
---	---	---	---



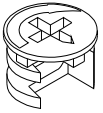

7

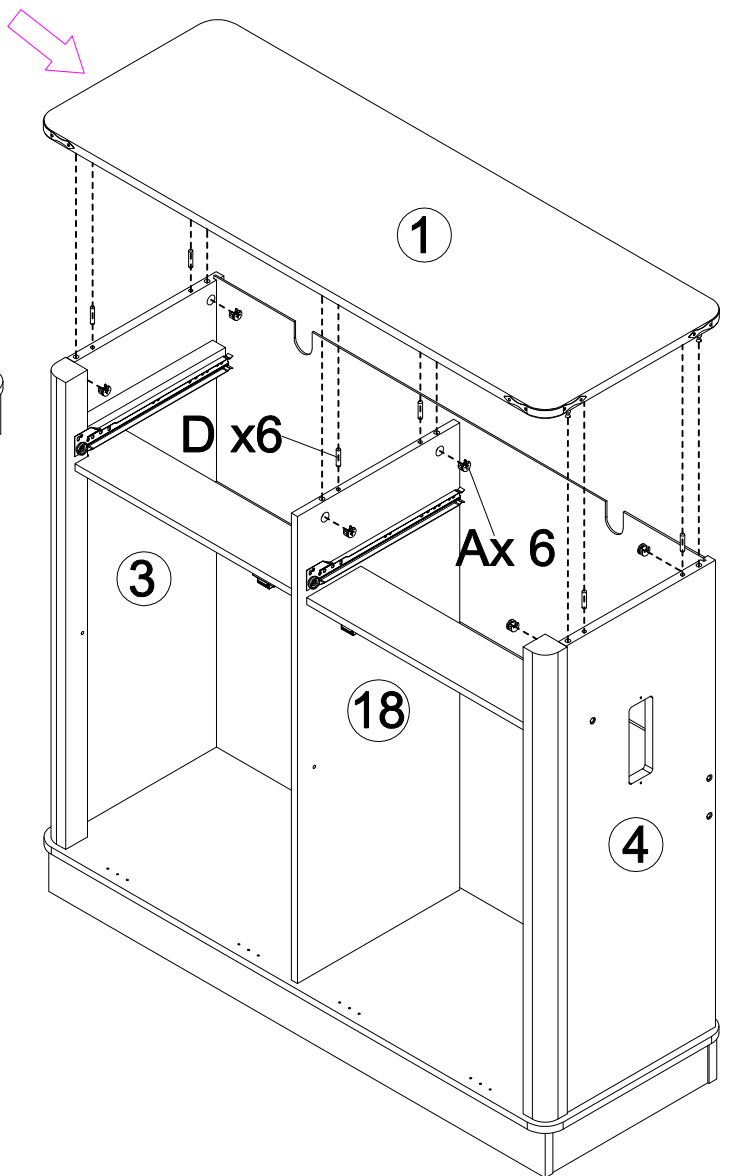
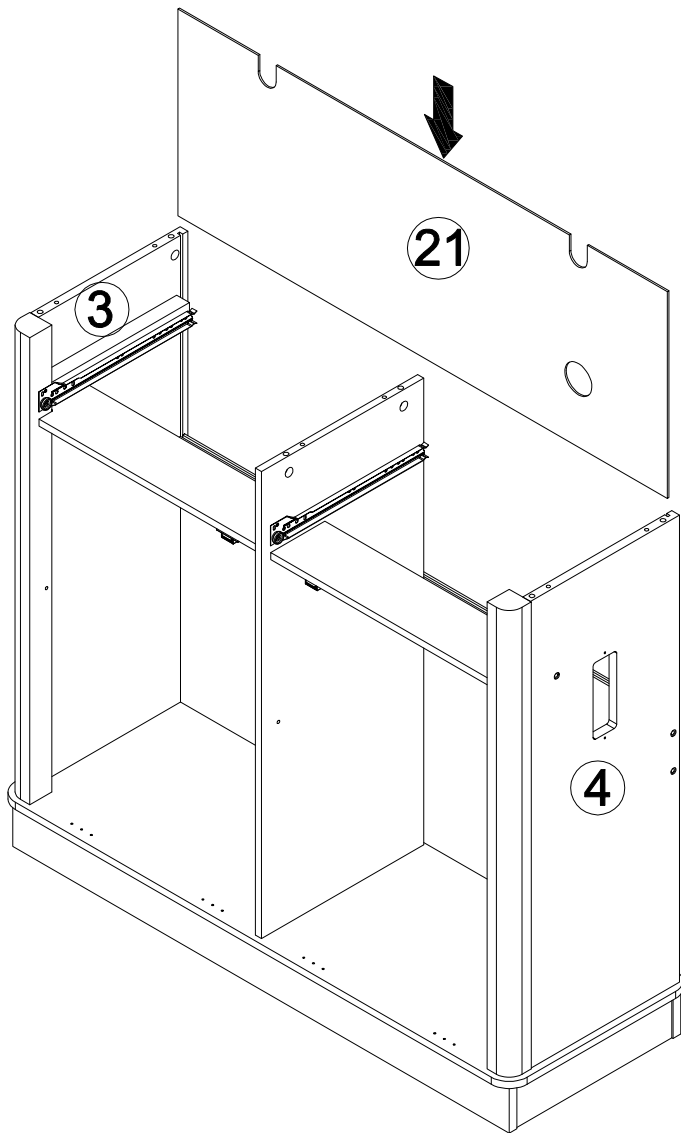
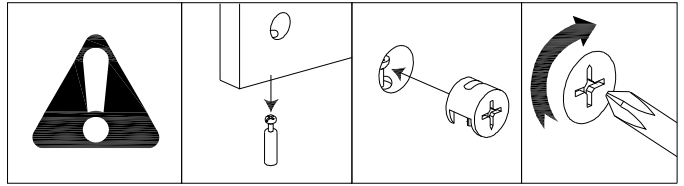
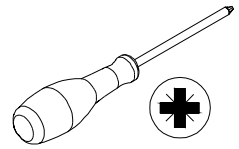
<p>A x 11</p>  <p>Ø15 x 9.5 mm</p>	<p>D x 4</p>  <p>Ø6 x 30 mm</p>	
---	--	---

			
---	---	---	---


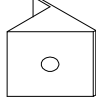

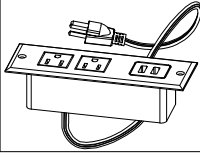
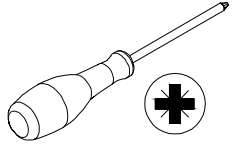



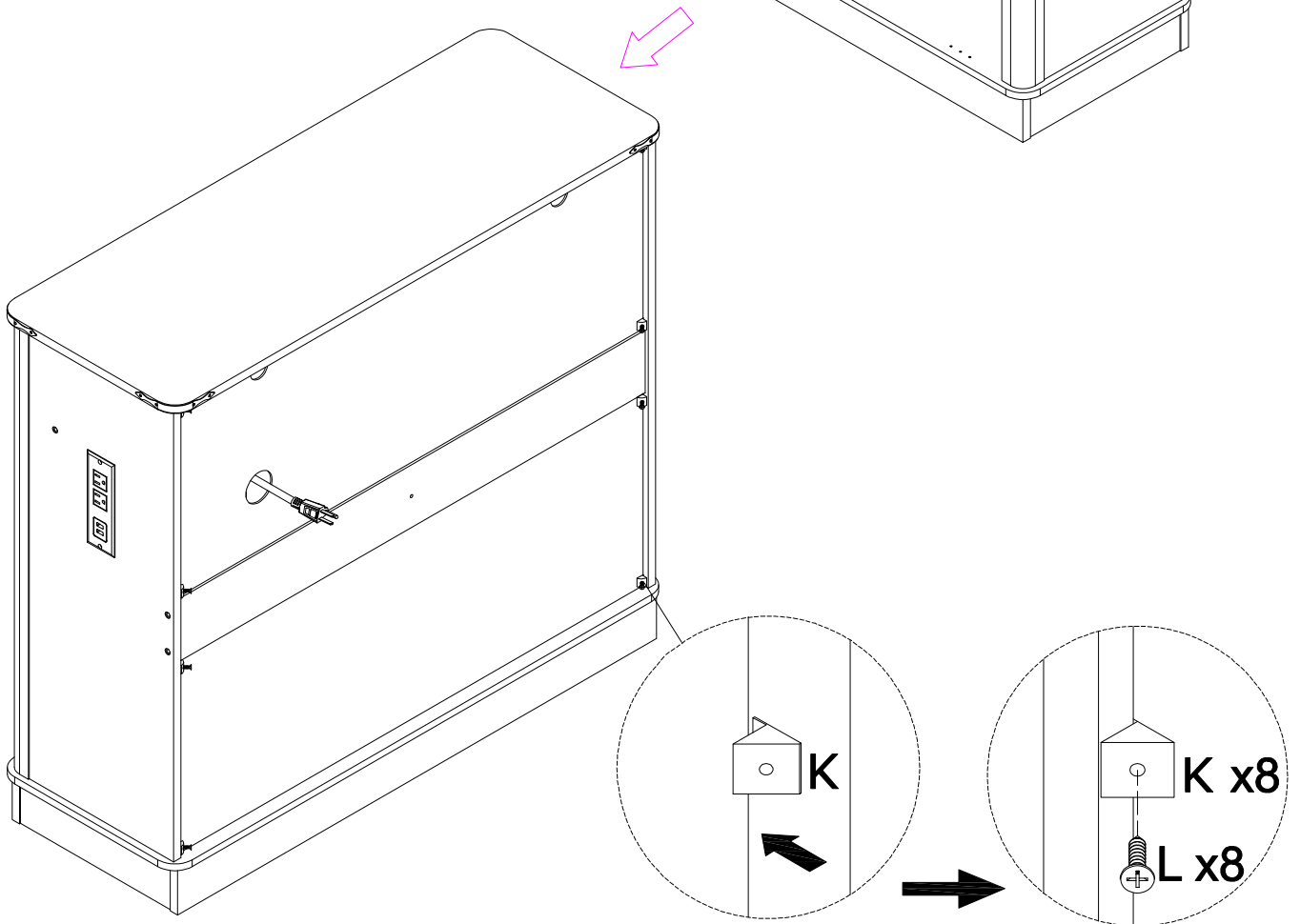
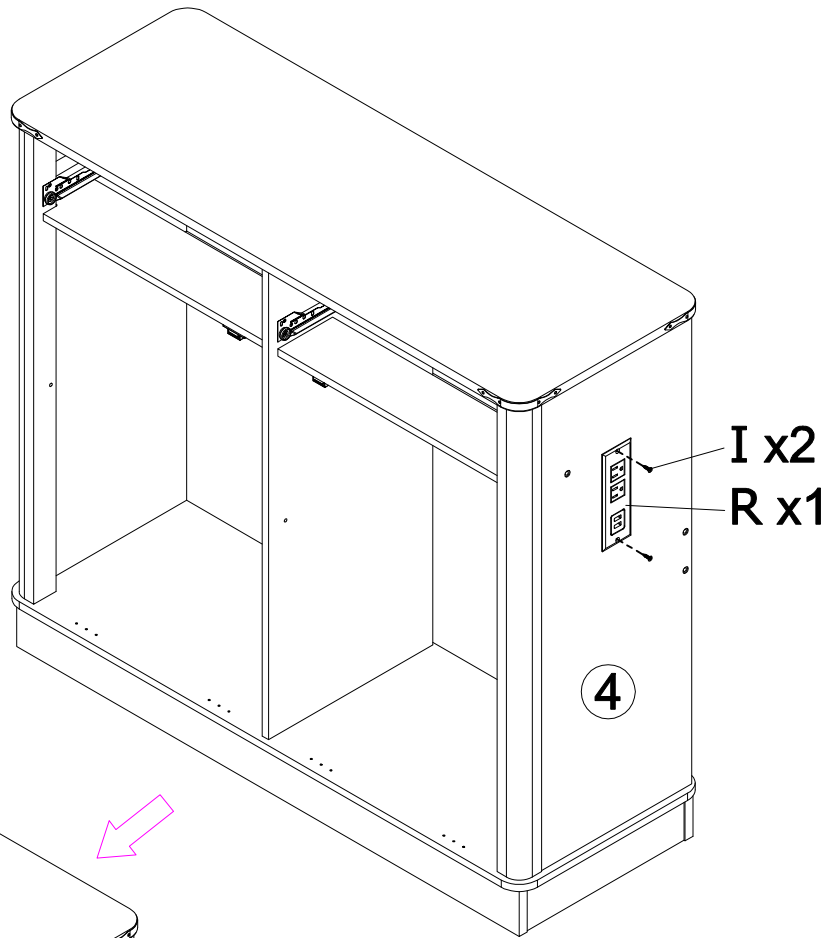
8

A x 6  Ø15 x 9.5 mm	D x 6  Ø6 x 30 mm
---	---

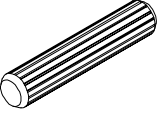
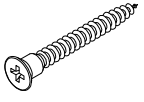
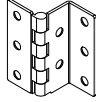

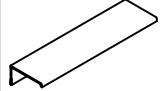
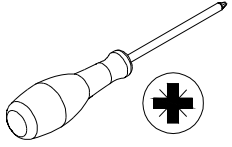


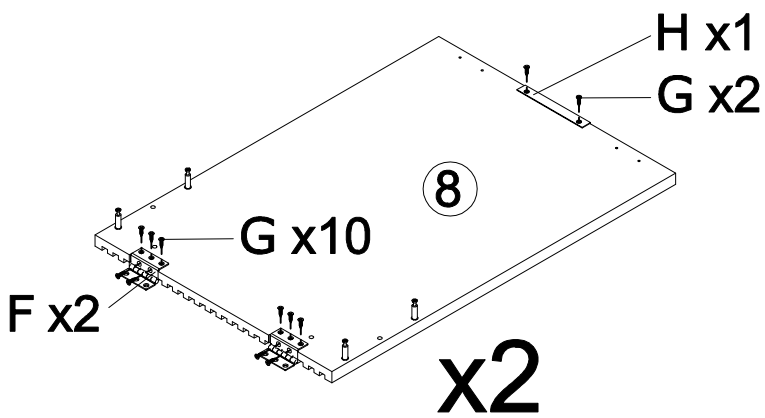
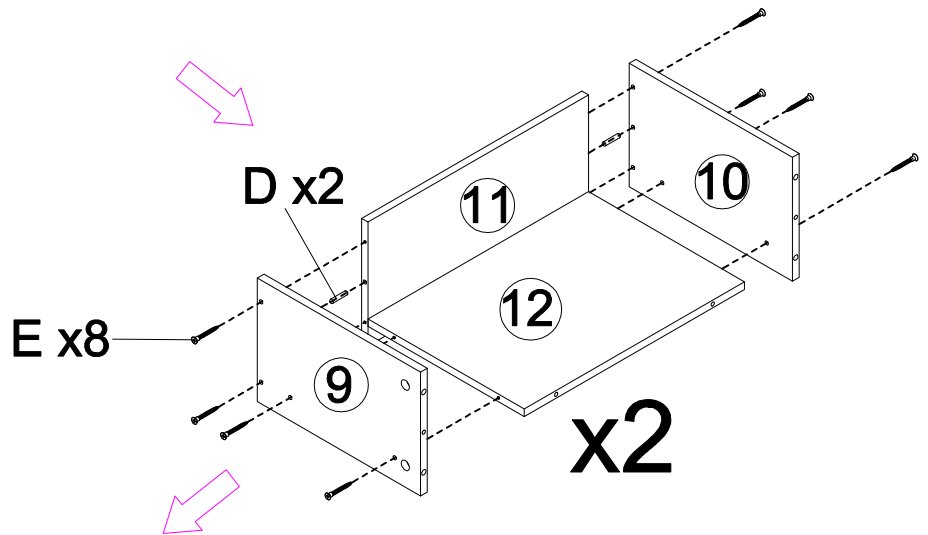
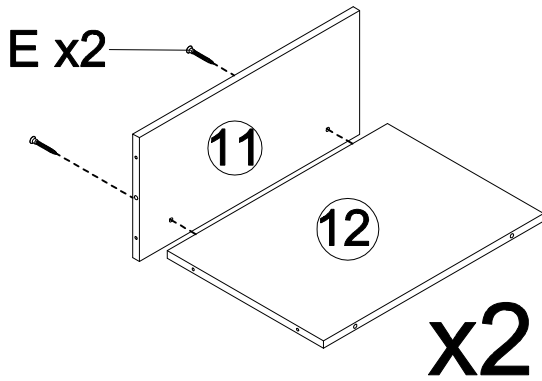
9

I x 2  Ø3 x 12	K x 8 	L x 8  Ø3 x 16	R x 1 	 
---	---	---	--	--





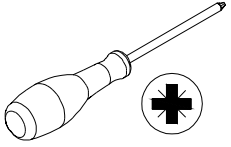



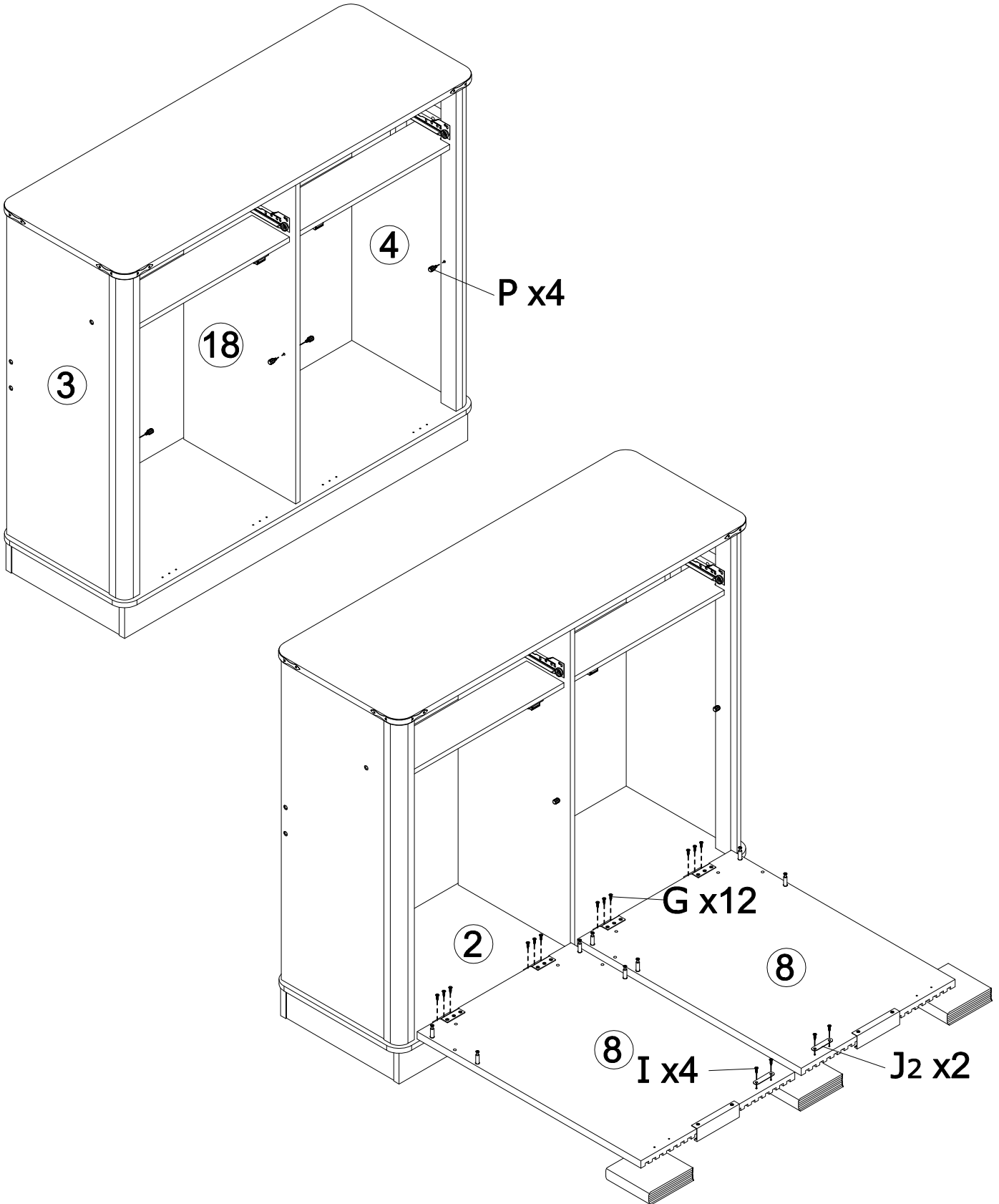
10

D x 4  Ø6 x30 mm	E x 20  Ø5 x45 mm	F x 4  Ø3.5 x 12	G x 24  Ø3.5 x 12	H x 2 	 +
--	---	--	---	---	--

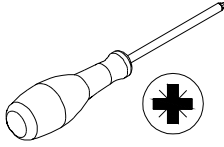



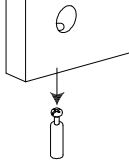
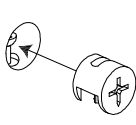
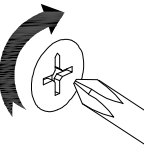
11

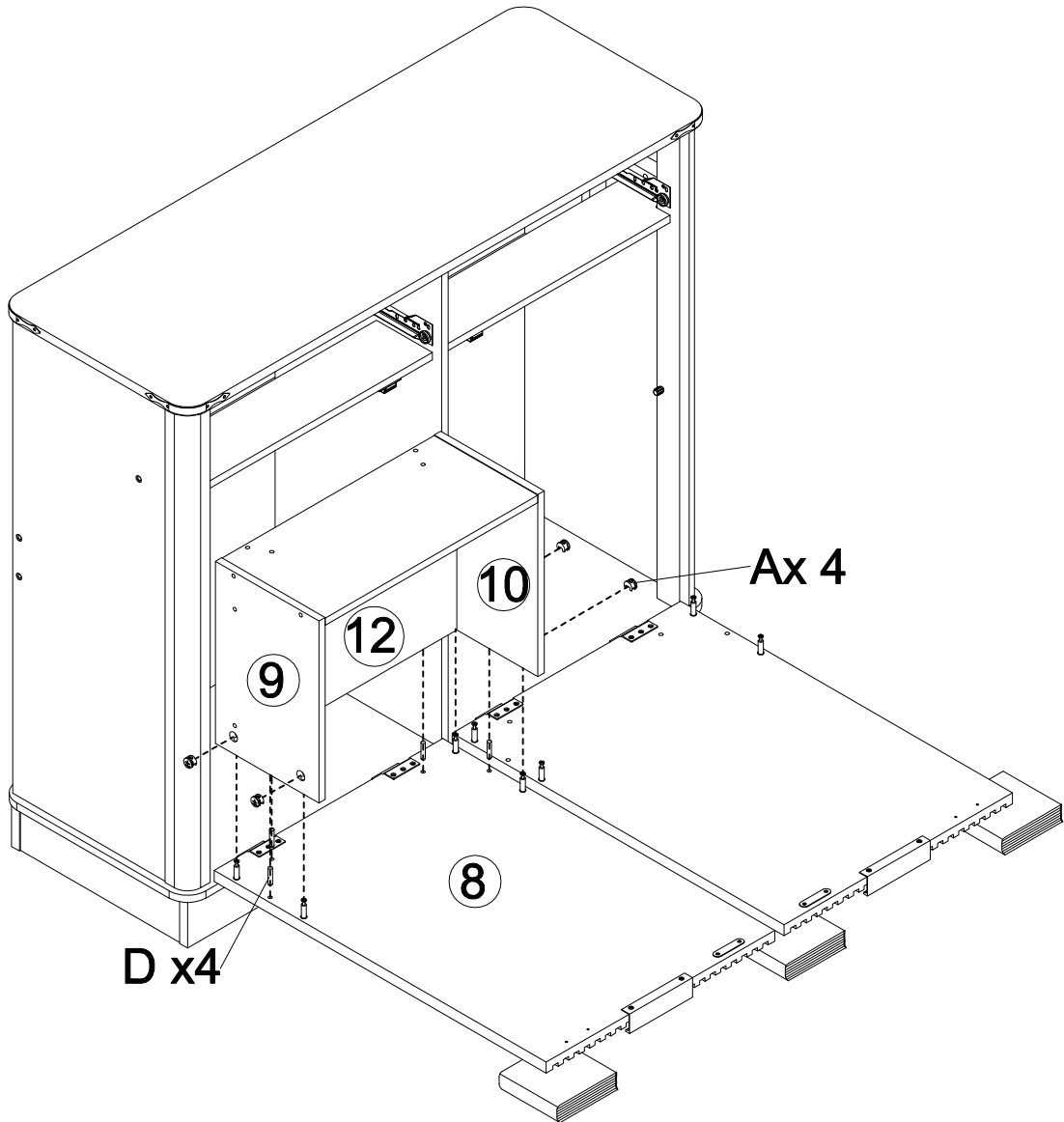
G x 12  Ø3.5 x 12	J x 2  J2	I x 4  Ø3 x 12	P x 4 	 
---	---	--	---	--



12


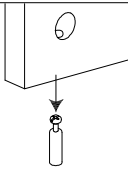
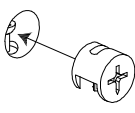
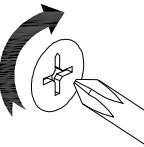
A x 4  Ø15 x 9.5 mm	D x 4  Ø6 x30 mm	
--	---	---

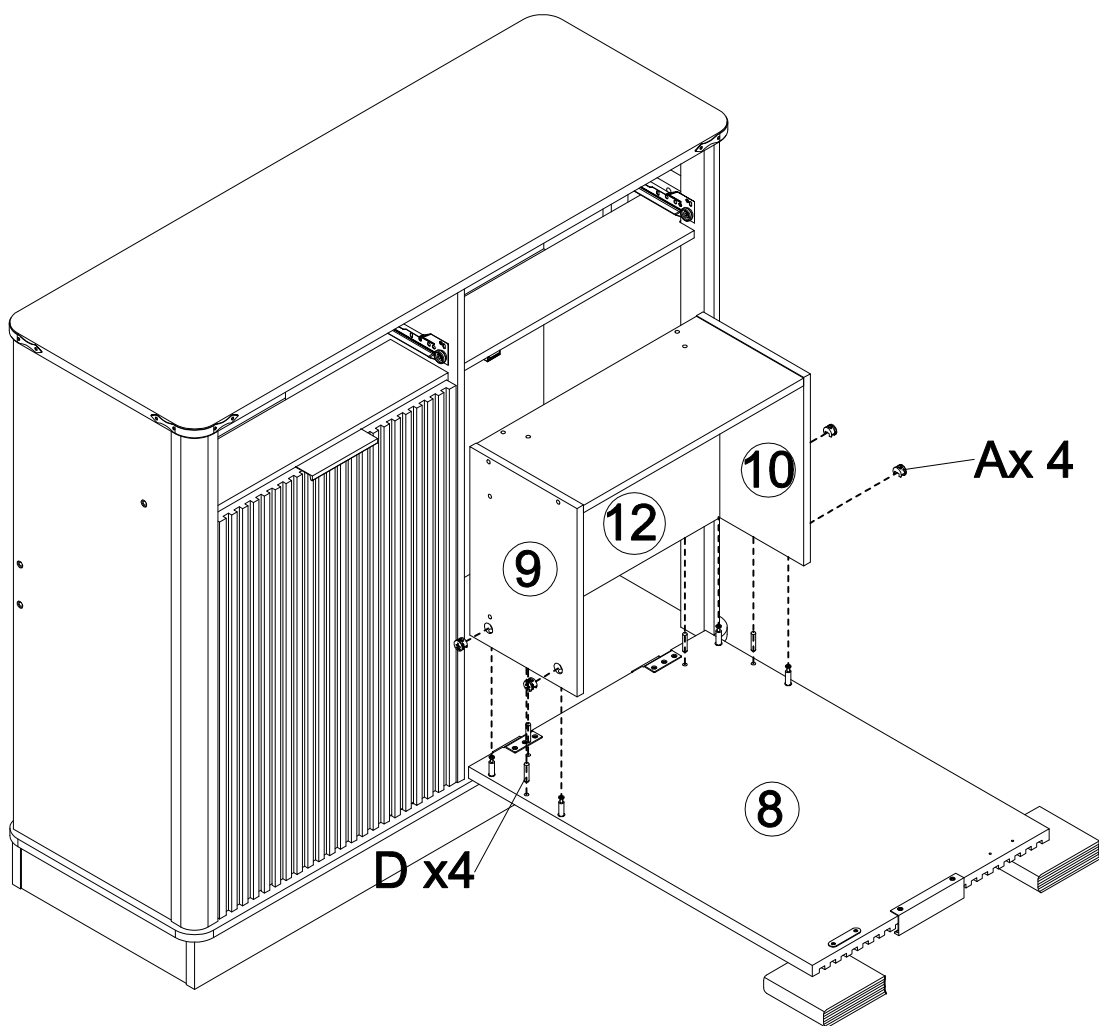
			
---	---	---	---



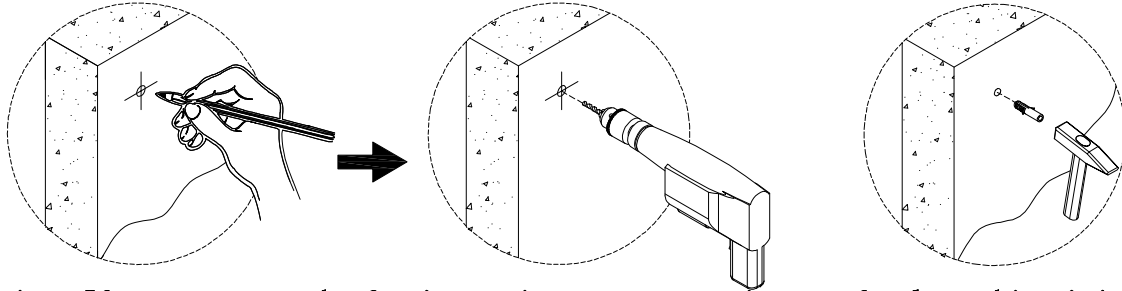
13

<p>A x 4</p>  <p>Ø15 x 9.5 mm</p>	<p>D x 4</p>  <p>Ø6 x 30 mm</p>	
--	--	---

			
---	---	---	---

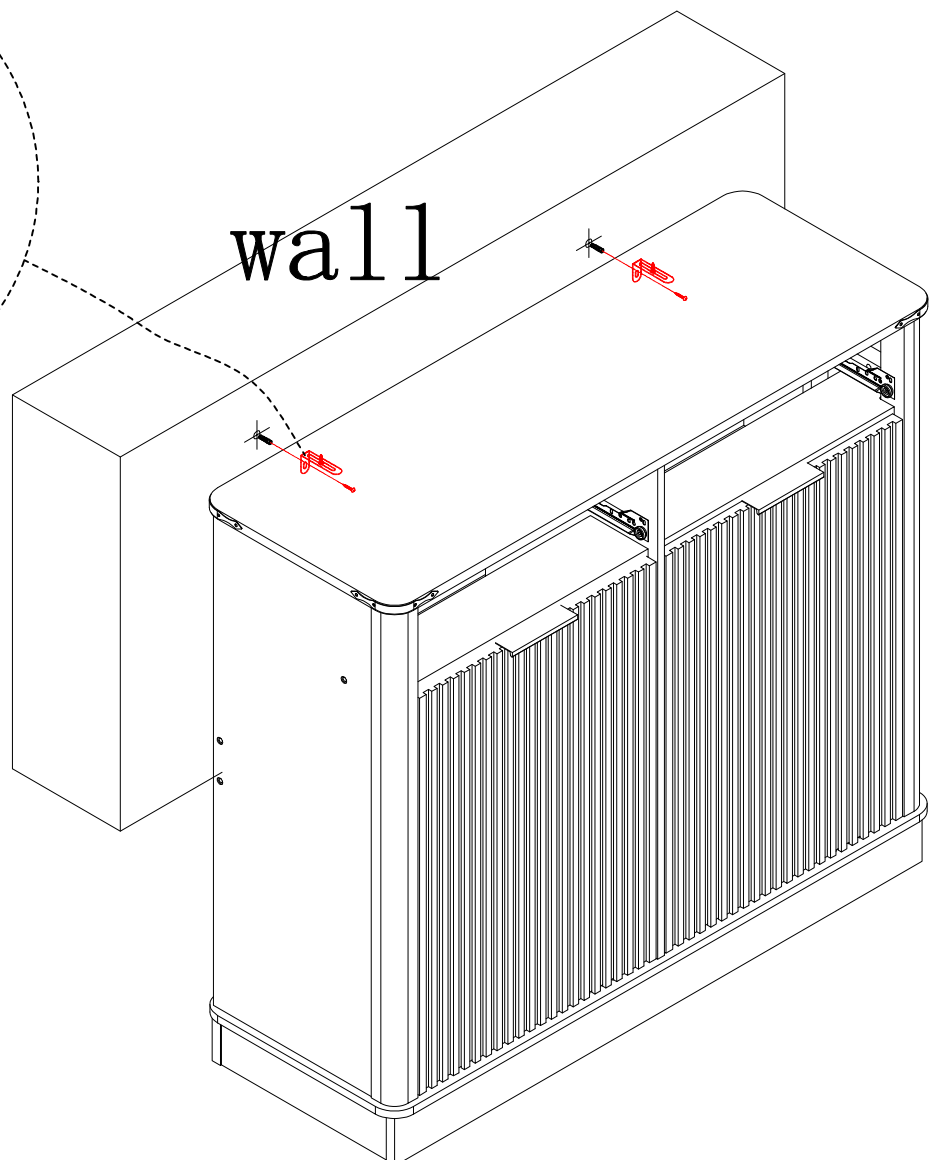
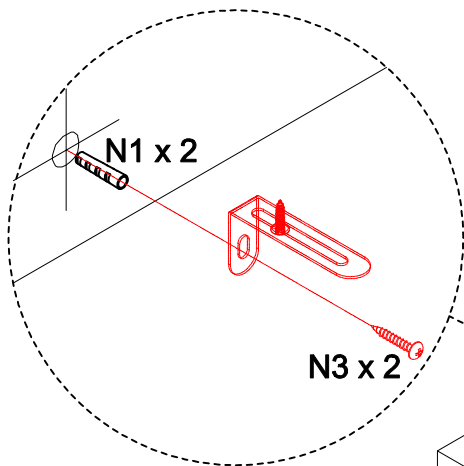


14

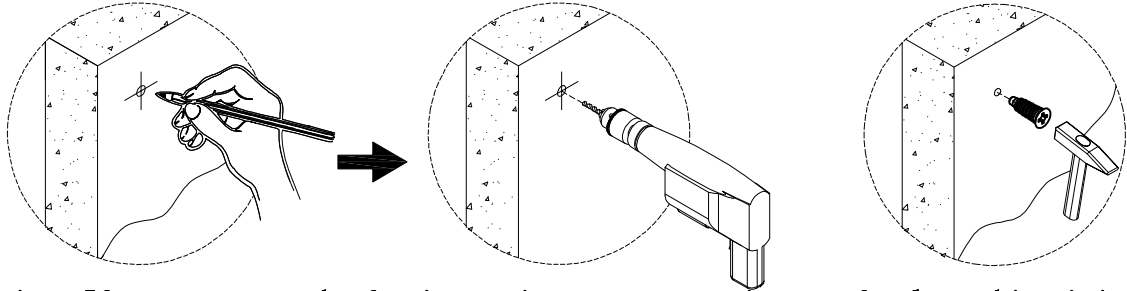


Warning: If you overturn the furniture, it may cause serious or fatal crushing injuries. We have a wall connection device attached, please use it to hold the furniture following these instructions.

1. Mark the corresponding hole positions where you want to place the furniture;
2. Use a impact drill to drill holes and pay attention to avoid wires and water pipes;
3. Knock the expansion pipes into the wall holes;
4. Place the furniture in the corresponding position and tighten the wall connection device with screws.

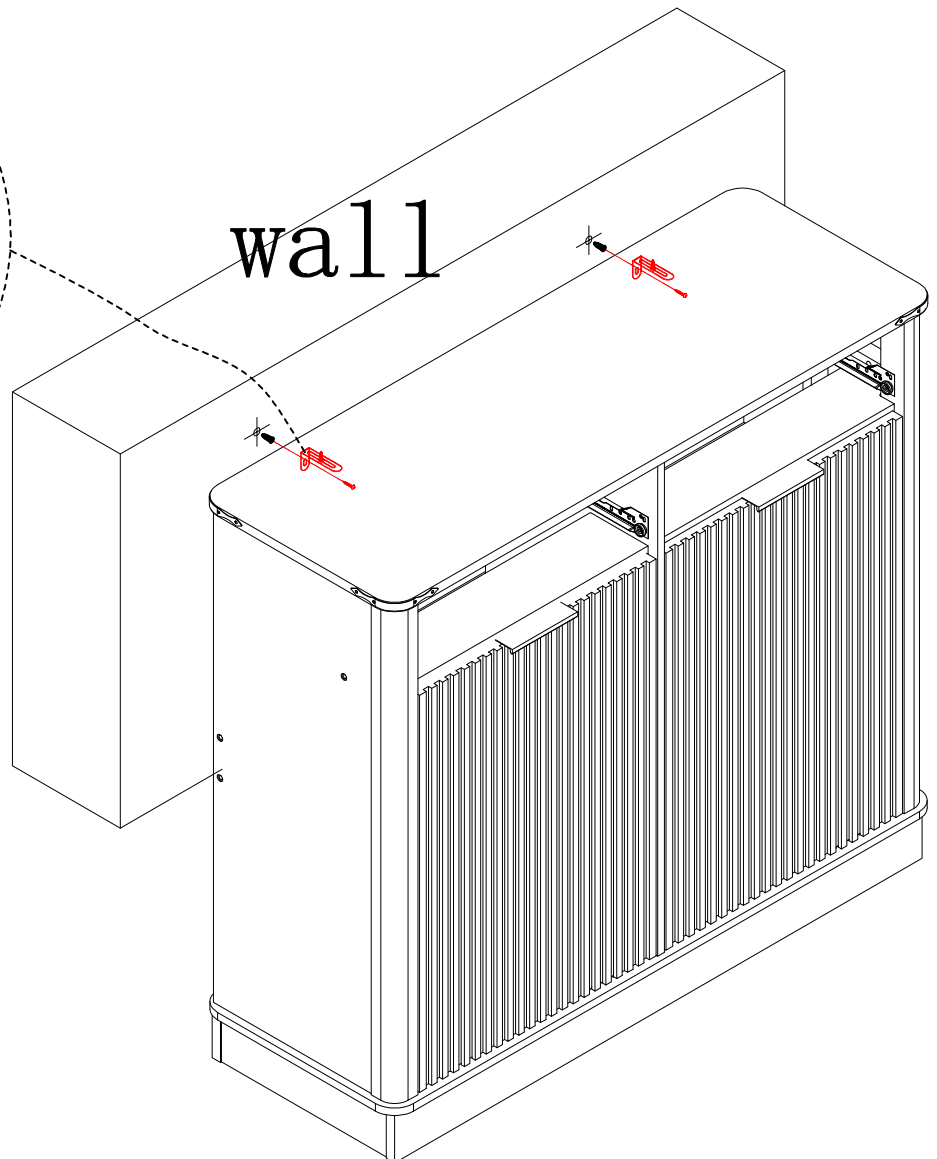
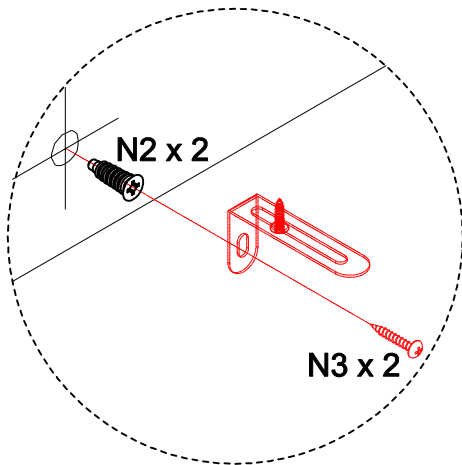


15



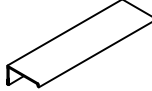


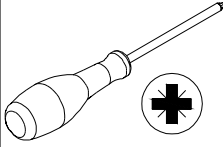
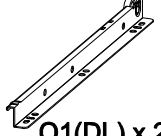
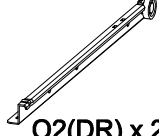
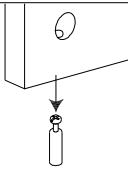
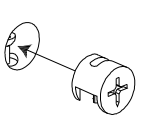
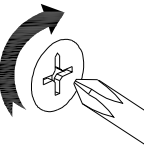


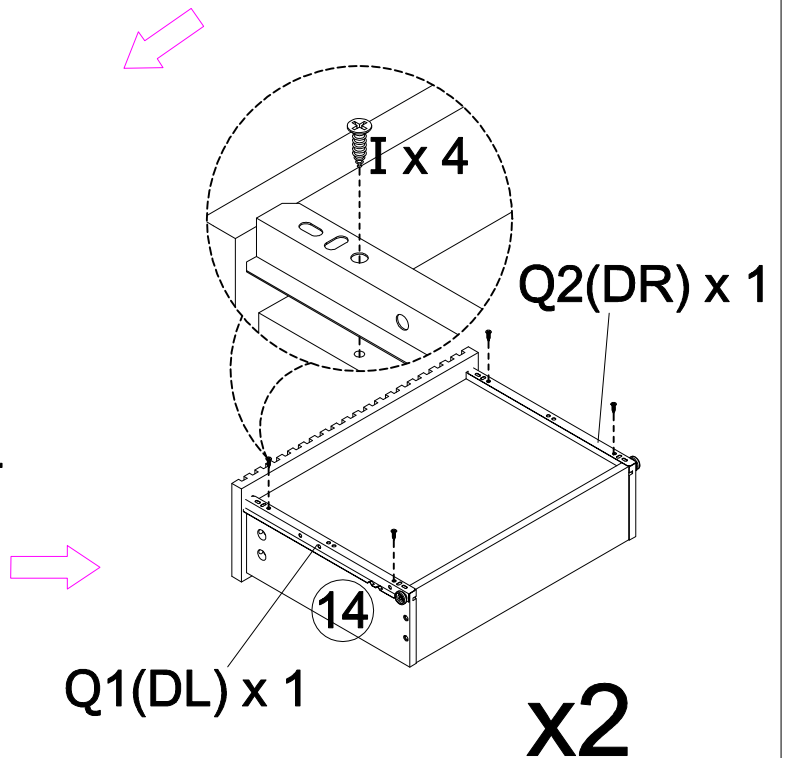
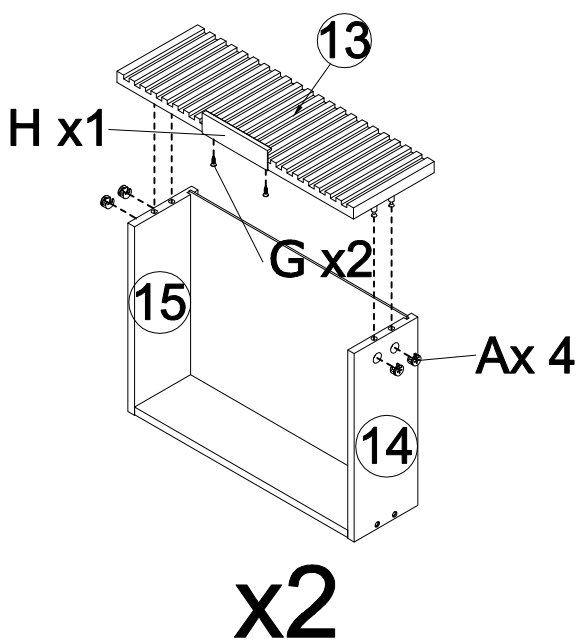
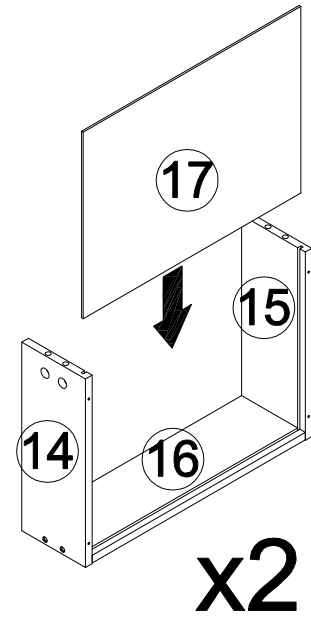
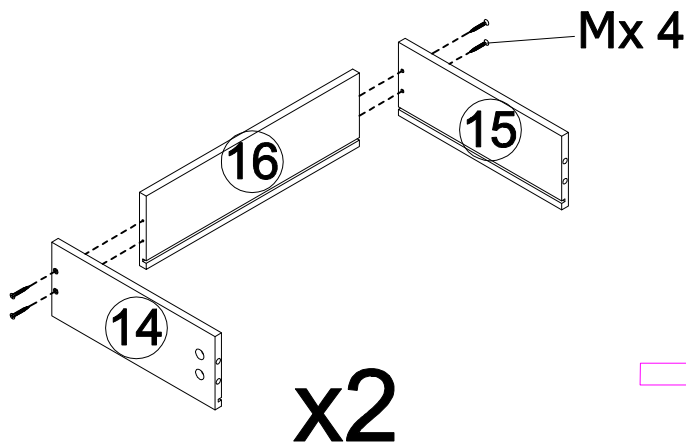
Warning: If you overturn the furniture, it may cause serious or fatal crushing injuries. We have a wall connection device attached, please use it to hold the furniture following these instructions.

1. Mark the corresponding hole positions where you want to place the furniture;
2. Use a impact drill to drill holes and pay attention to avoid wires and water pipes;
3. Knock the expansion pipes into the wall holes;
4. Place the furniture in the corresponding position and tighten the wall connection device with screws.



16

A x 8  Ø15 x 9.5 mm	G x 4  Ø3.5 x 12	H x 2 	I x 8  Ø3 x 12	M x 8  Ø4 x 30	
 Q1(DL) x 2	 Q2(DR) x 2				



17

