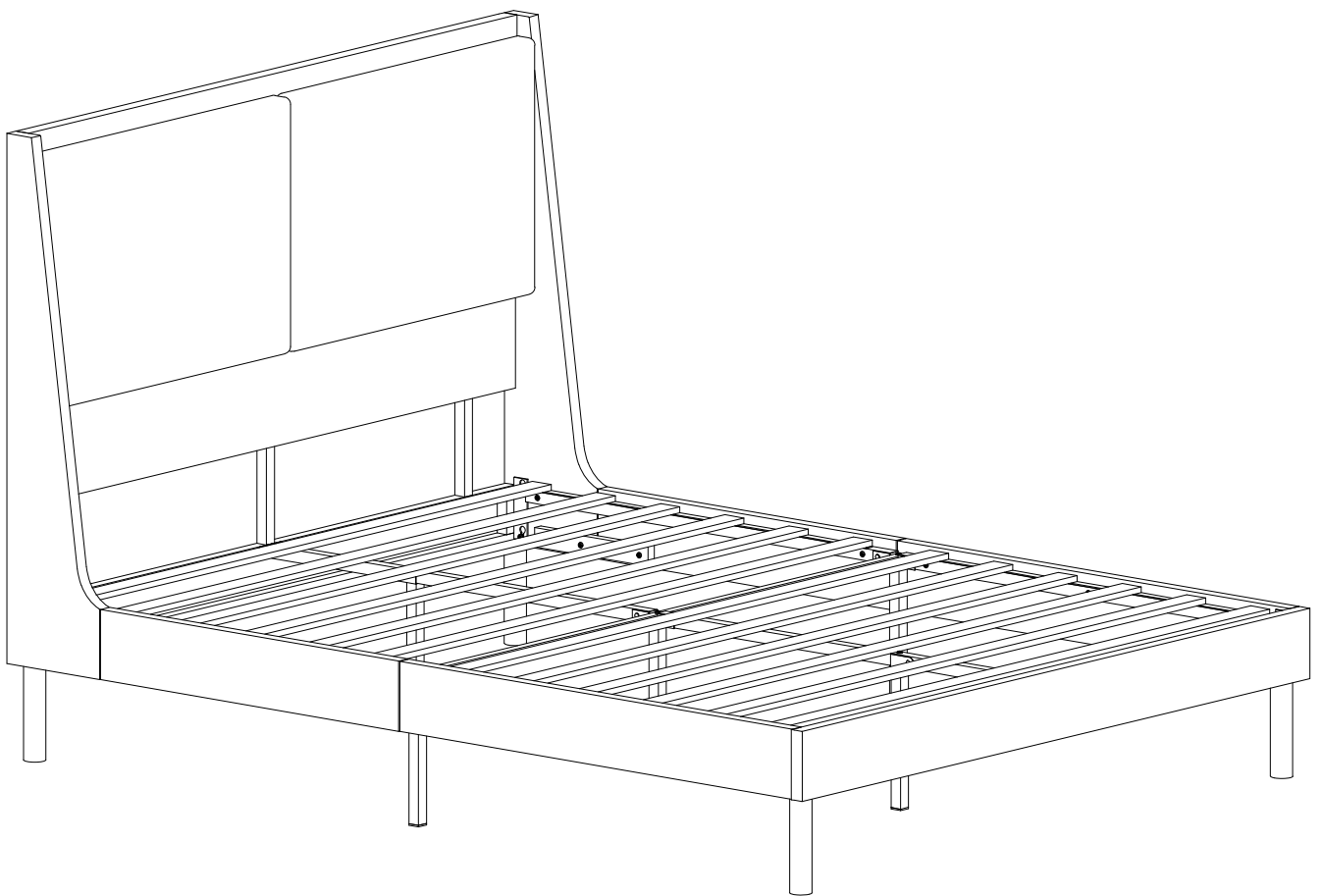


Product Manual

Bed Frame



Contents

Before Use

General Guidelines	03
Warning	03
Material Properties	03

Installation Guide

Assembly Instructions	04
Parts List	05
Hardware List	06
Exploded Views.....	06
Installation Steps	08

Operation

Use and Maintenance	15
Special instruction	15
Cleaning	16
Trouble Shooting	17

General Guidelines

- Please read all instructions carefully before use.
- Retain this manual for future reference and include it if transferring ownership.
- This product is designed for indoor use only.
- Assemble and use strictly according to instructions. The seller assumes no liability for damage or injury resulting from improper assembly or use.
- This manual may not cover all product variations or detailed scenarios.
- Contact us for additional support or information.

WARNING

- Children must not assemble this product. During assembly, keep all small parts out of children's reach. Swallowed or inhaled parts can cause choking or suffocation.
- Do not allow children to play with mechanical components.
- Keep plastic packaging bags away from children to prevent suffocation hazards.
- Avoid sharp objects and corrosive chemicals to prevent product damage or personal injury.
- Improper disassembly may damage structural components.
- Do not jump on the bed or forcefully drop onto edges/slats.

Material Properties

1. Solid Wood

Naturally occurring grain variations, mineral streaks, and color differences enhance wood's organic character. These features may appear more pronounced under different lighting conditions and viewing angles - a testament to the material's authenticity.

2. Cotton-Linen Blend

This premium fabric combines cotton's softness with linen's breathability, creating naturally temperature-regulating bedding. Occasional slubs (natural yarn irregularities) and subtle tonal variations in the weave highlight its artisanal quality. Light interacting with plant-based fibers reveals soft hue shifts that celebrate the material's organic origins.

3. Metal

Industrial Elegance with Precision Craftsmanship

The metal frame features a smooth powder-coated finish, engineered for structural integrity and corrosion resistance. Subtle weld seams and strategically placed reinforcing joints showcase meticulous fabrication. Under shifting light, the matte surface reveals nuanced metallic luster – a visual testament to its engineered durability. Minimalist linear profiles create timeless silhouettes that anchor the design while supporting substantial weight loads.

3. Luxury Sponge Cushions

Ergonomic Support for Hours of Relaxation

The high-density sponge features pressure-relieving zones that contour to your spine's natural curvature, reducing shoulder and lower-back strain during extended sitting. Enhances airflow while resisting dust mites and moisture buildup. Reinforced edge construction prevents slumping, maintaining consistent support for years. Under pressure, the foam's slow-rising recovery creates a personalized "memory hug" effect – cradling without trapping heat.

Assembly Instructions

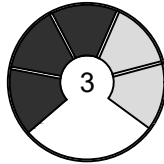
- Read all instructions carefully and retain this manual for future reference. Verify parts against the inventory list before starting assembly.
- Place all components on a clean, flat, soft surface (e.g., carpeted floor) to prevent scratches or stains during assembly.
- Align screws with pre-drilled holes before tightening sequentially.
- Do not discard any packaging materials until assembly is complete to avoid accidentally disposing of small parts or hardware



TIME

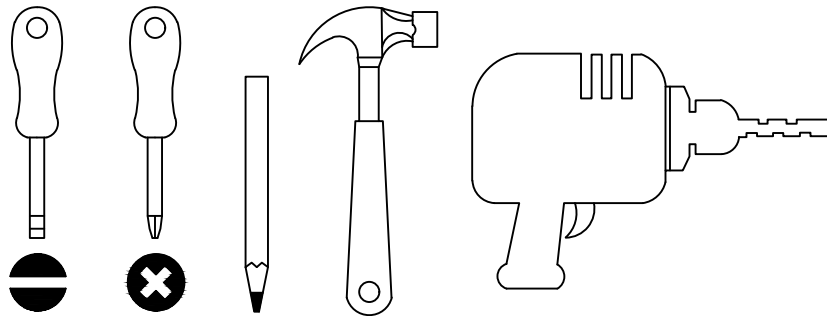


2 People



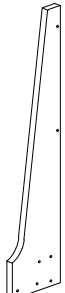

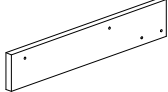
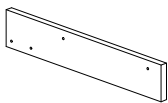
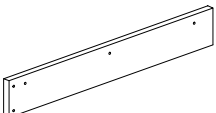
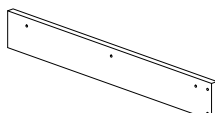

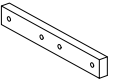


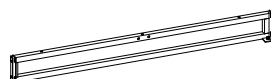
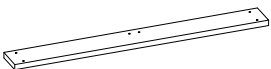


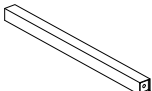
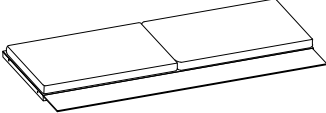
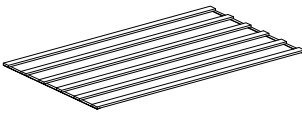
DIFFICULTY

TOOLS YOU MAY NEED

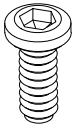
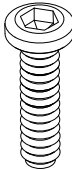
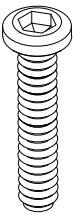

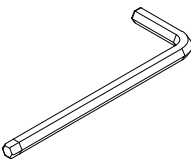
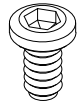


NOTE: Professional installation by a qualified furniture assembler is recommended.

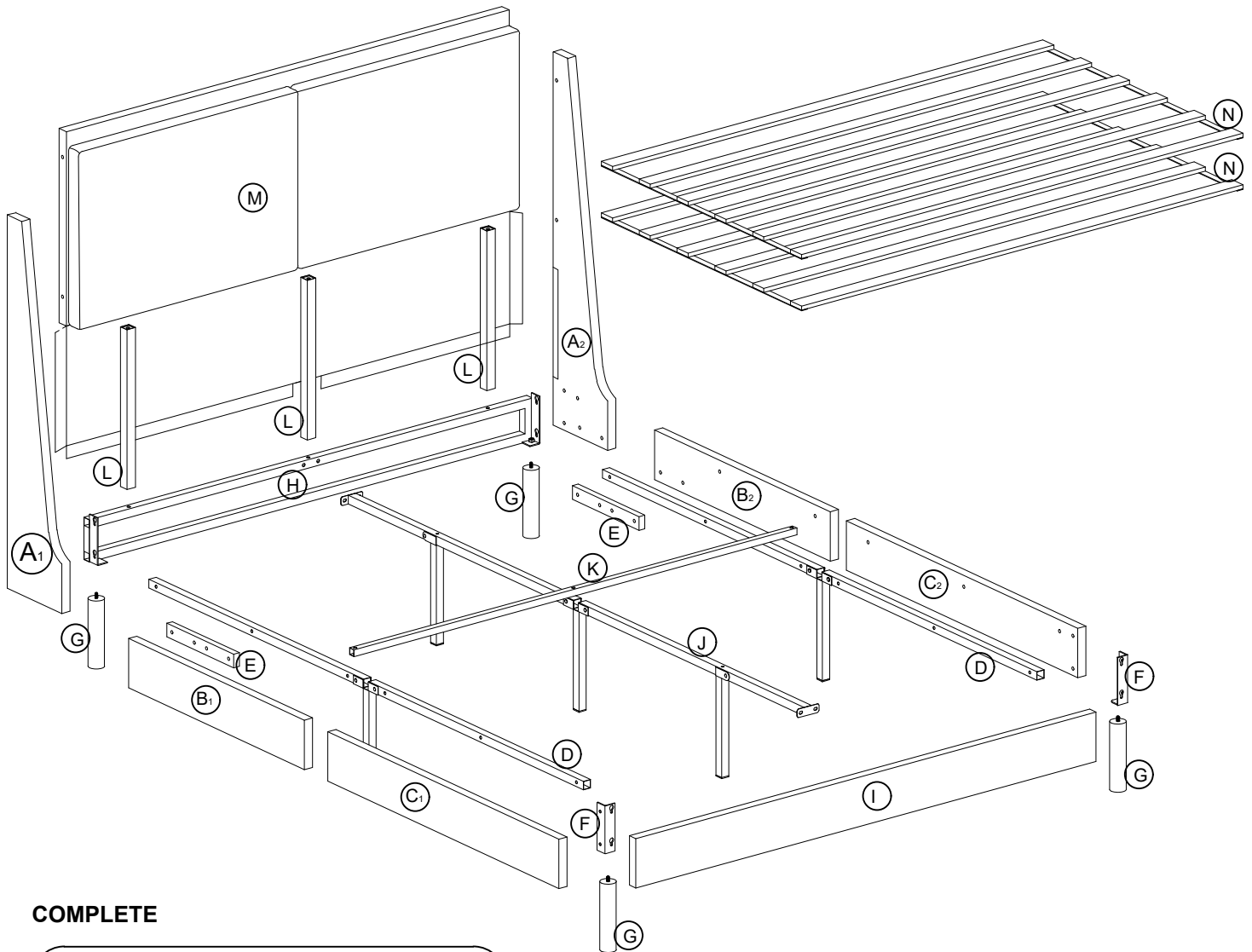
Parts List

<p>A₁</p>  <p>1PCS</p>	<p>A₂</p>  <p>1PCS</p>	<p>B₁</p>  <p>1PCS</p>	<p>B₂</p>  <p>1PCS</p>
<p>C₁</p>  <p>1PCS</p>	<p>C₂</p>  <p>1PCS</p>	<p>D</p>  <p>2PCS</p>	<p>E</p>  <p>2PCS</p>
<p>F</p>  <p>2PCS</p>	<p>G</p>  <p>4PCS</p>	<p>H</p>  <p>1PCS</p>	<p>I</p>  <p>1PCS</p>
<p>J</p>  <p>1PCS</p>	<p>K</p>  <p>1PCS</p>	<p>L</p>  <p>3PCS</p>	<p>M</p>  <p>1PCS</p>
<p>N</p>  <p>2PCS</p>			

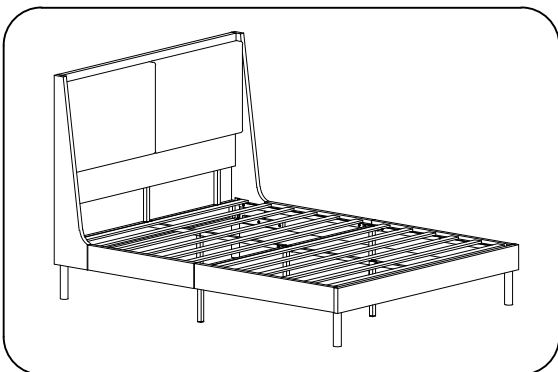
Hardware List

<p>1</p>  <p>M6*30mm 14PCS</p>	<p>2</p>  <p>M6*45mm 19PCS</p>	<p>3</p>  <p>M6*50mm 16PCS</p>	<p>4</p>  <p>4PCS</p>	<p>5</p>  <p>1PCS</p>	<p>6</p>  <p>M6*20mm 2PCS</p>
--	--	--	---	---	---

Hardware List

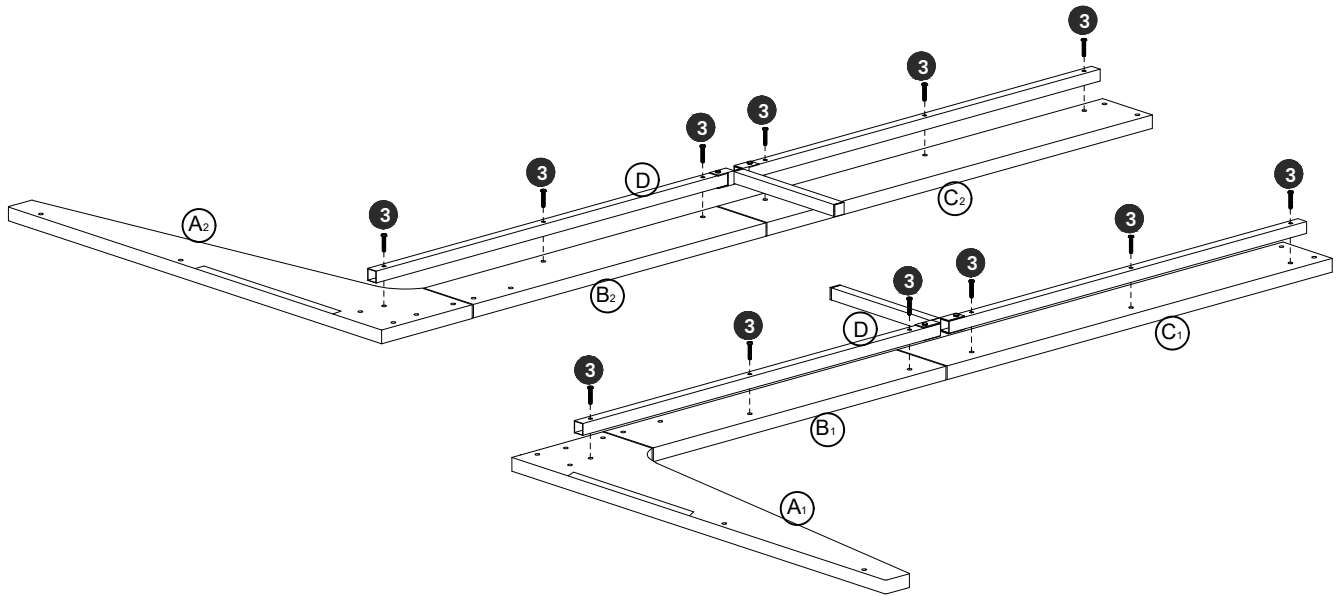



COMPLETE



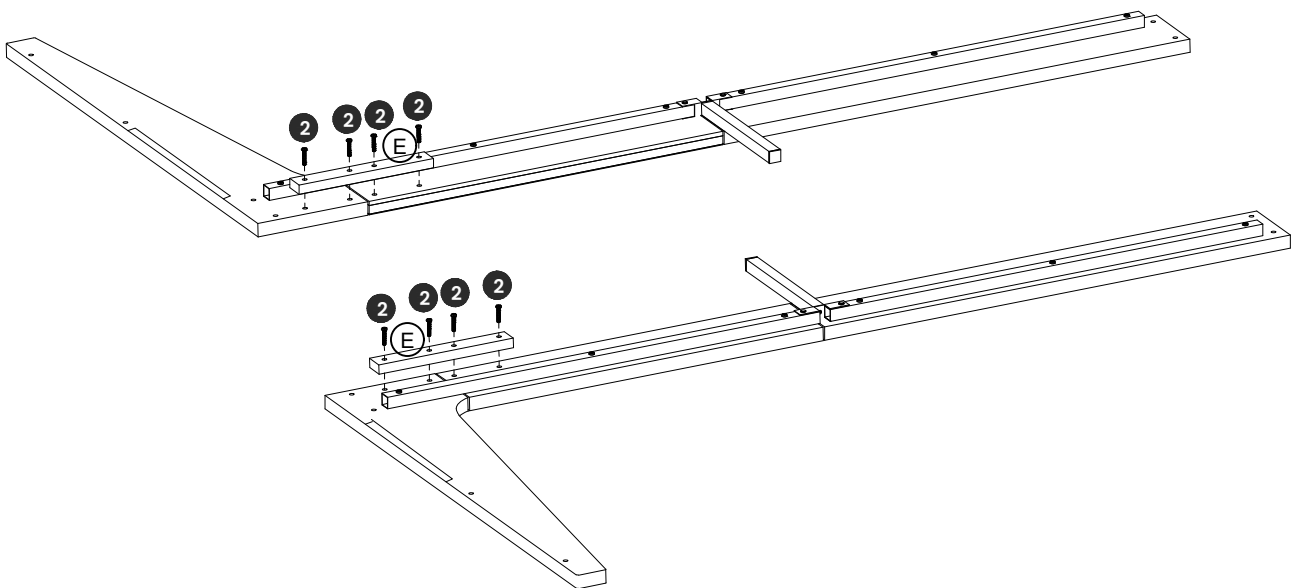
Installation Steps

Step 1



3  x12

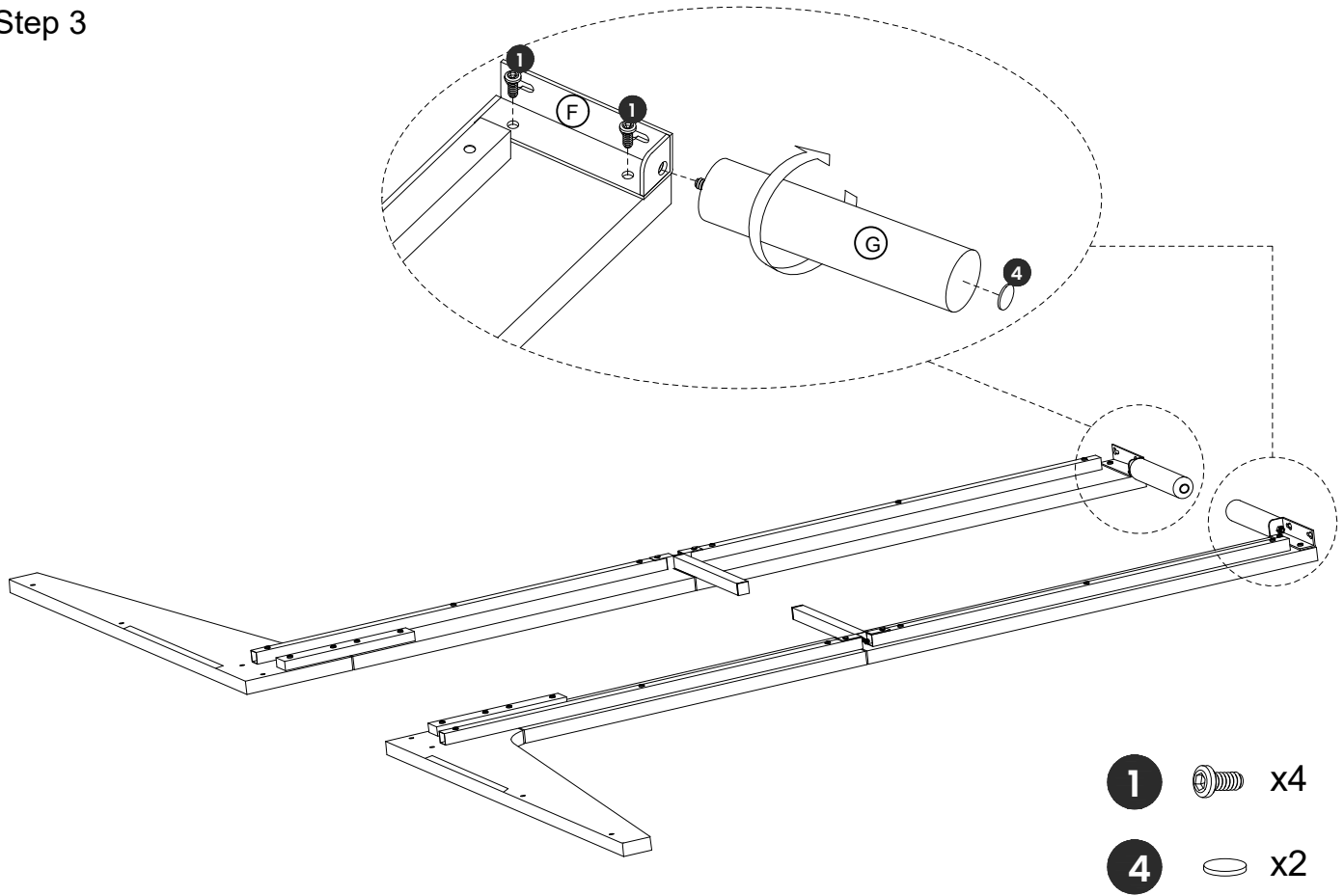
Step 2



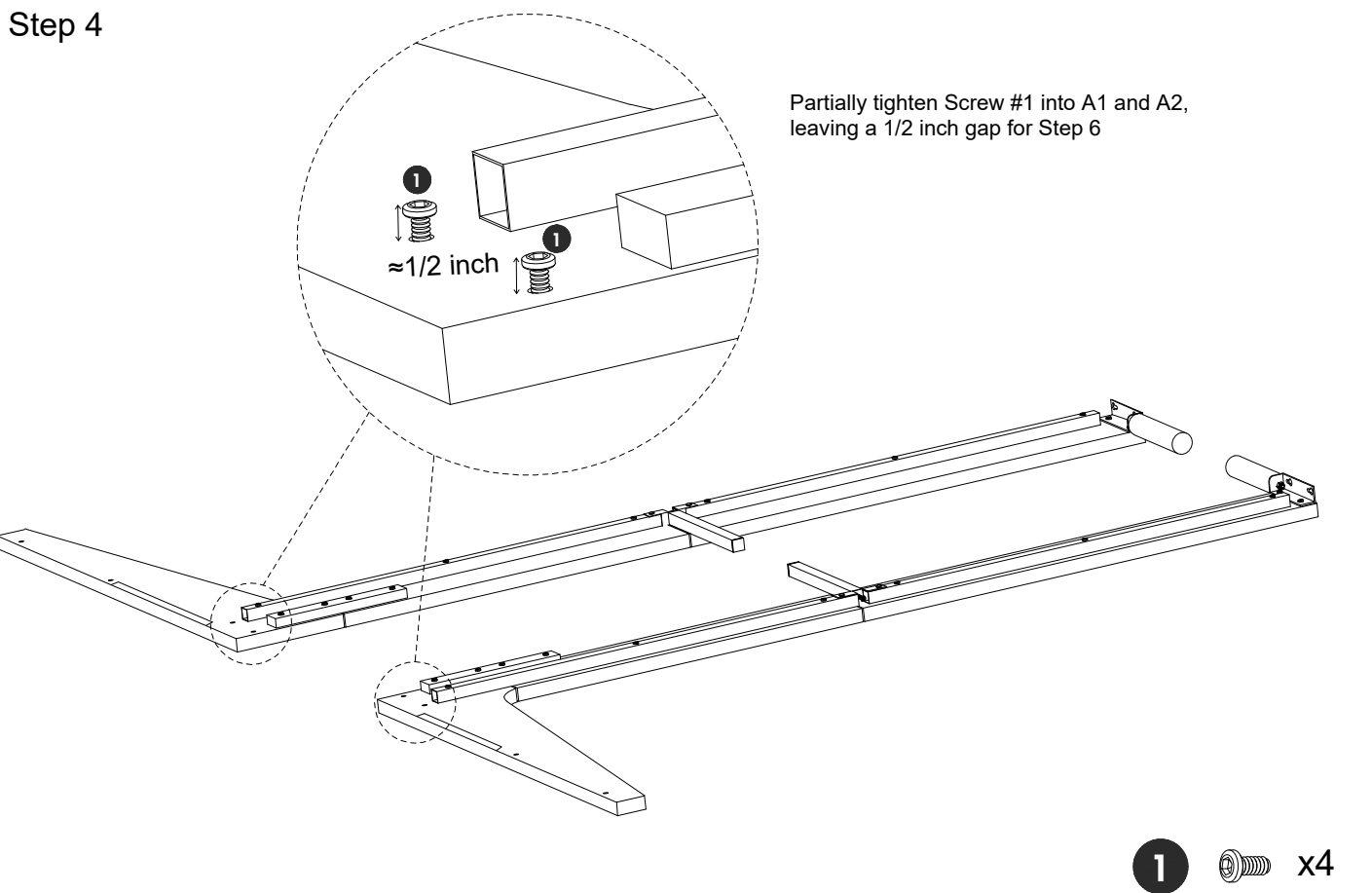
2  x8

Installation Steps

Step 3



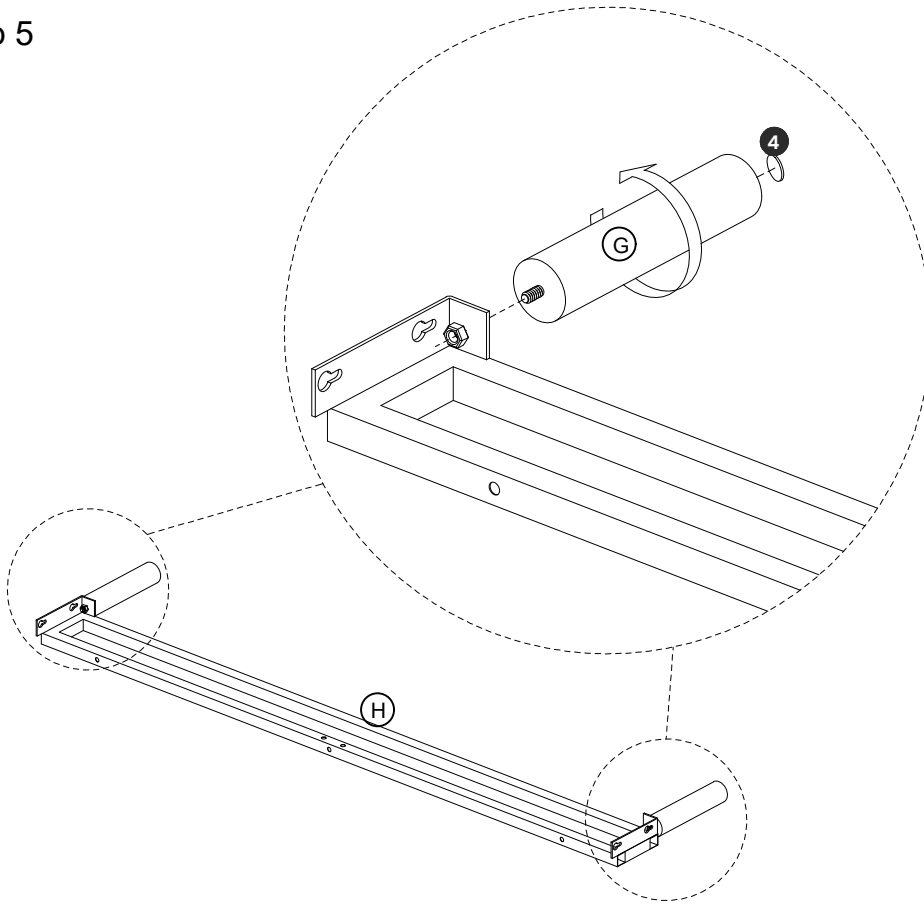
Step 4



Partially tighten Screw #1 into A1 and A2, leaving a 1/2 inch gap for Step 6

Installation Steps

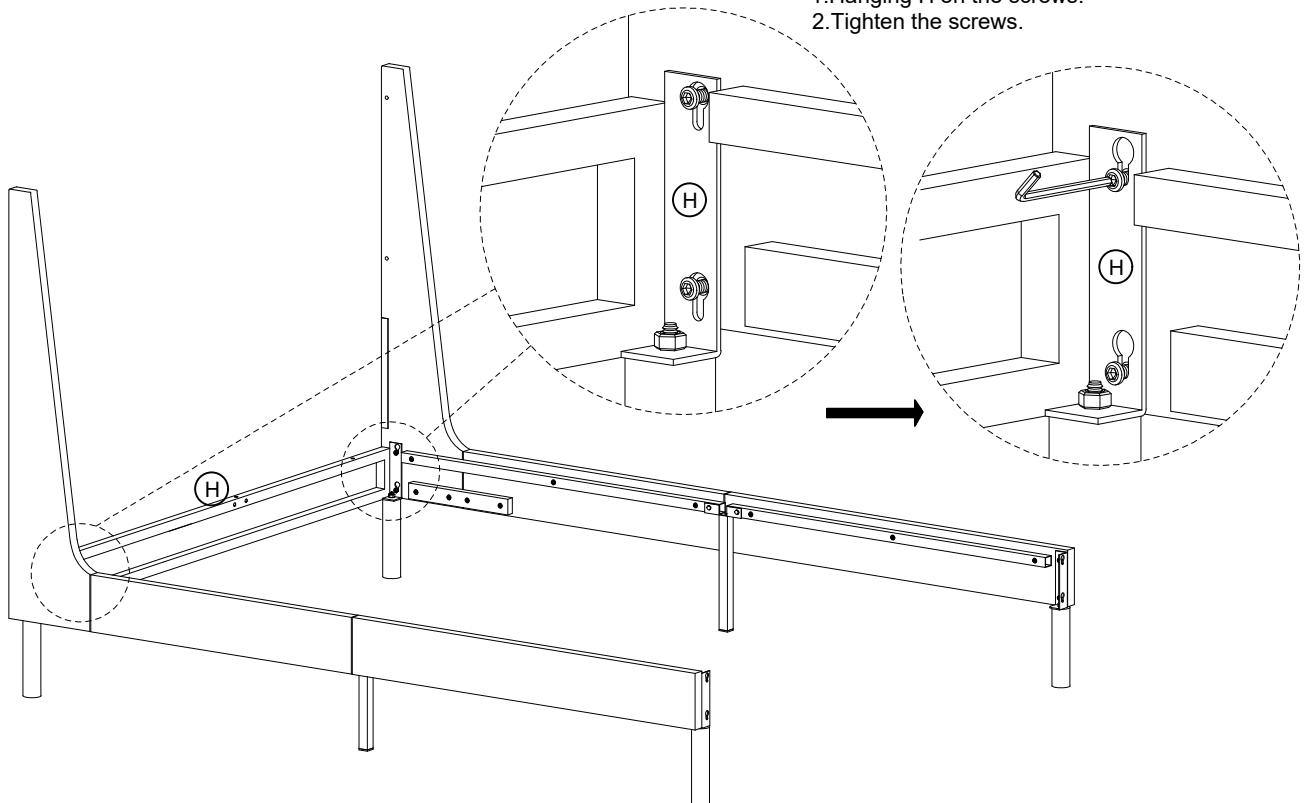
Step 5



4  x2

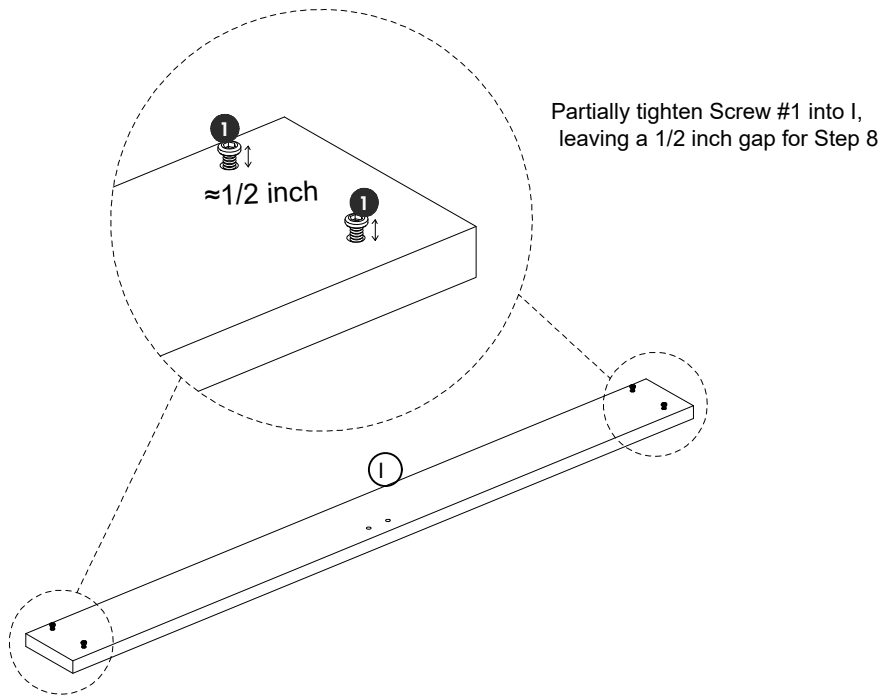
Step 6

1. Hanging H on the screws.
2. Tighten the screws.



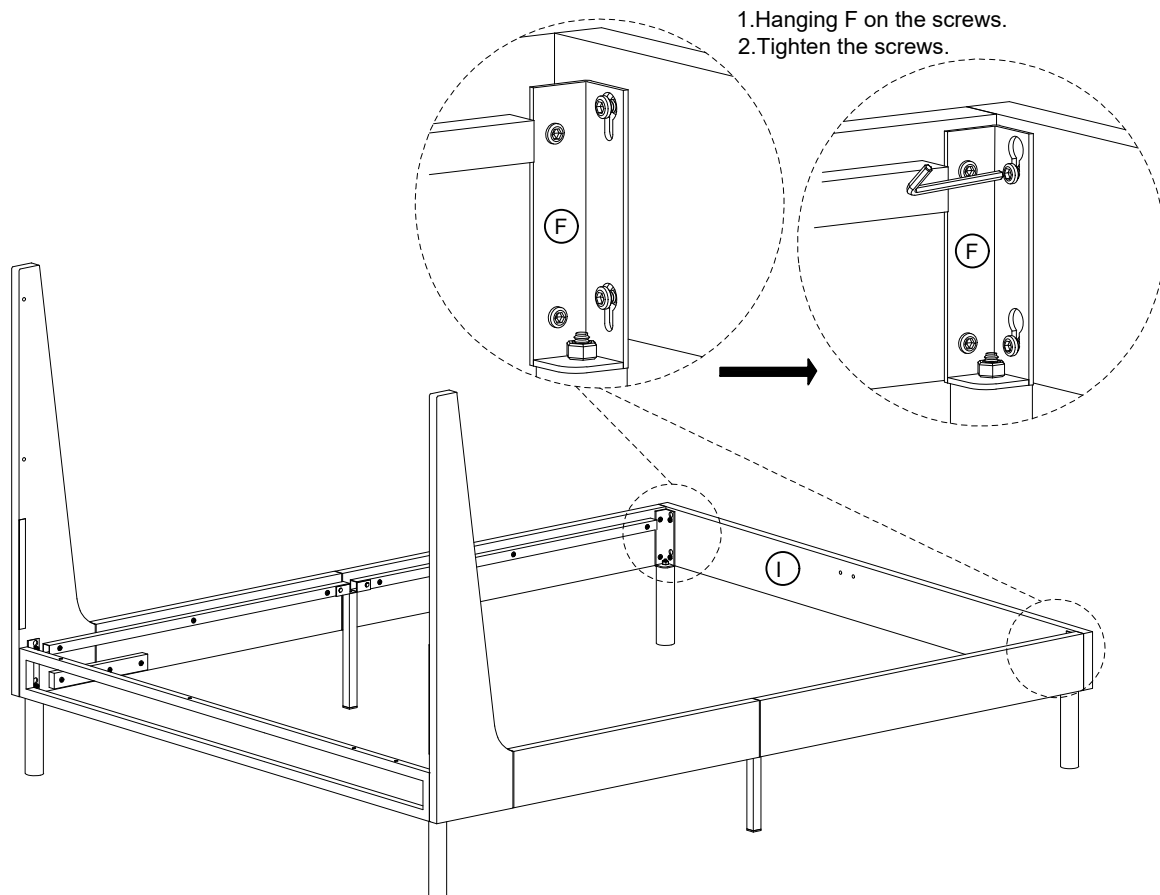
Installation Steps

Step 7



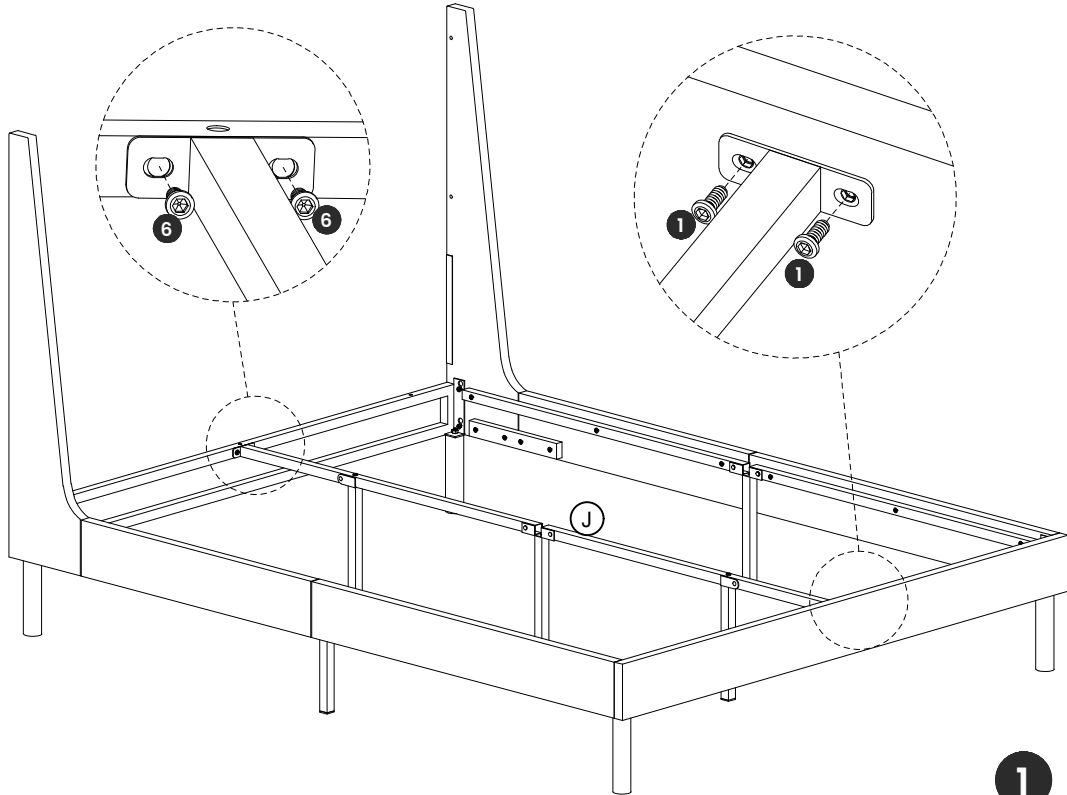
1  x4



Step 8



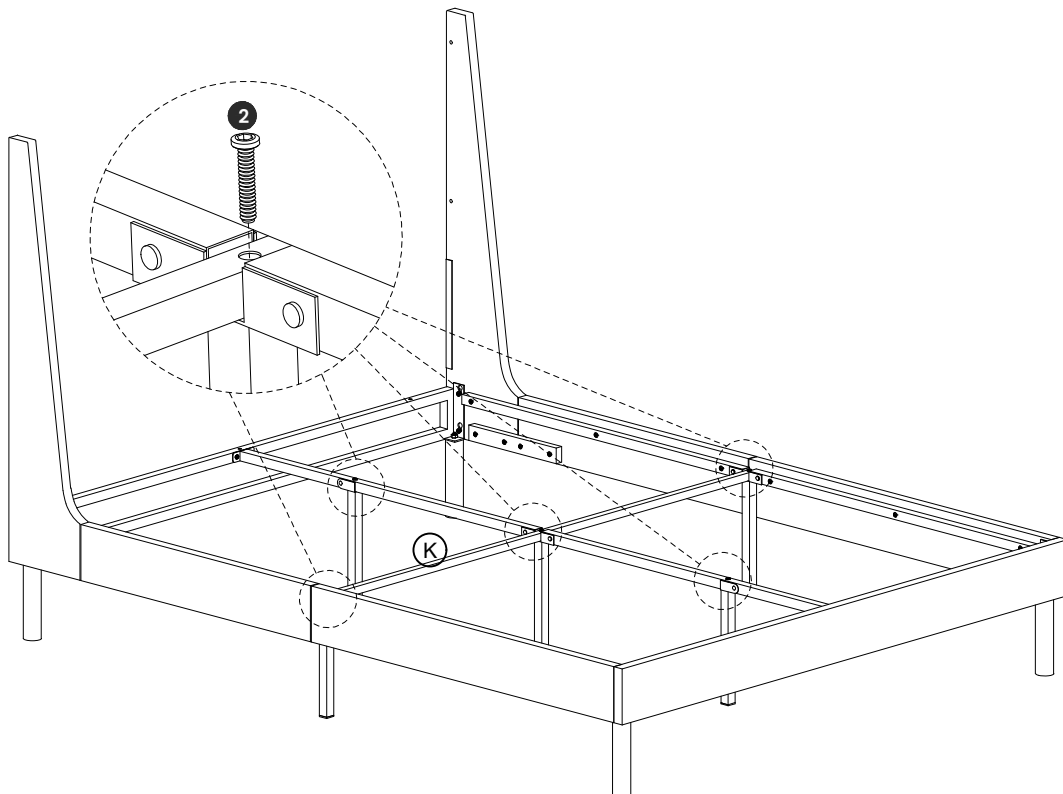
Installation Steps

Step 9



- 1  x2
- 6  x2

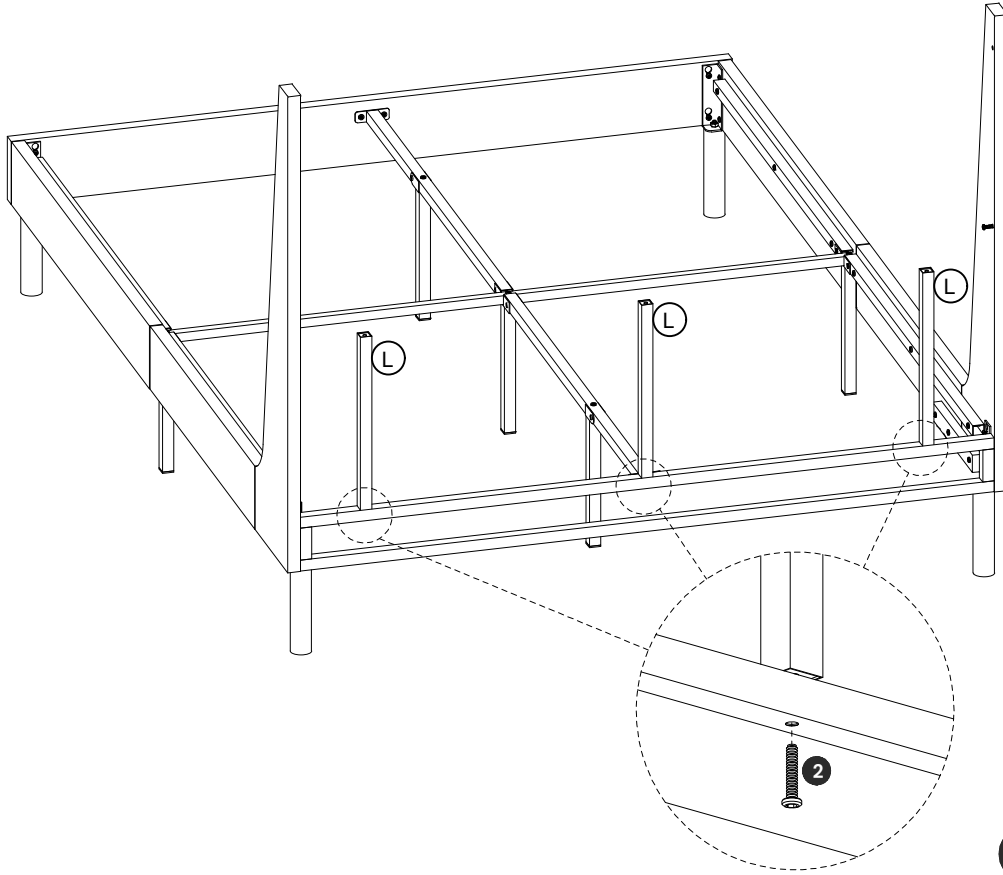
Step 10



- 2  x5

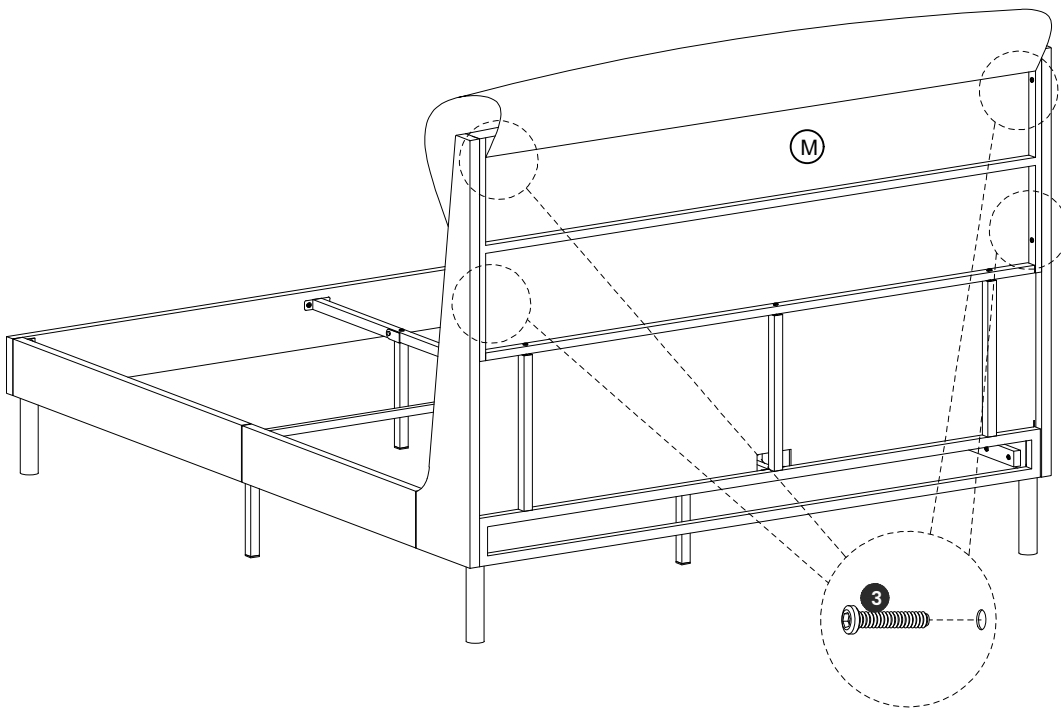
Installation Steps

Step 11



2  x3

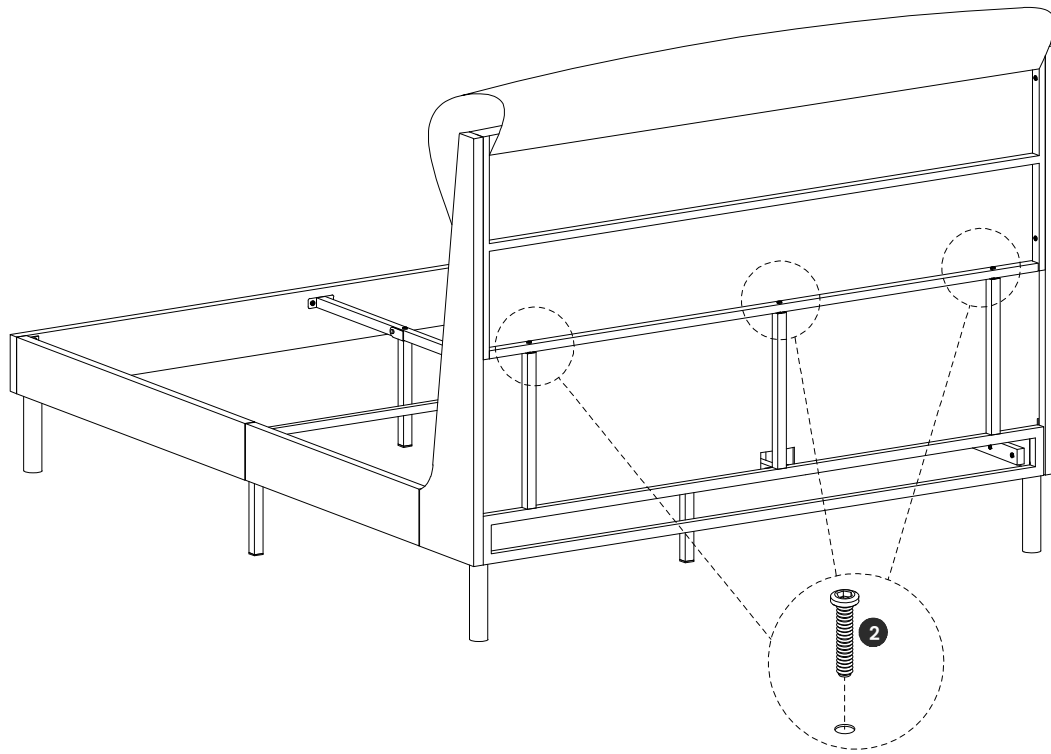
Step 12



3  x4

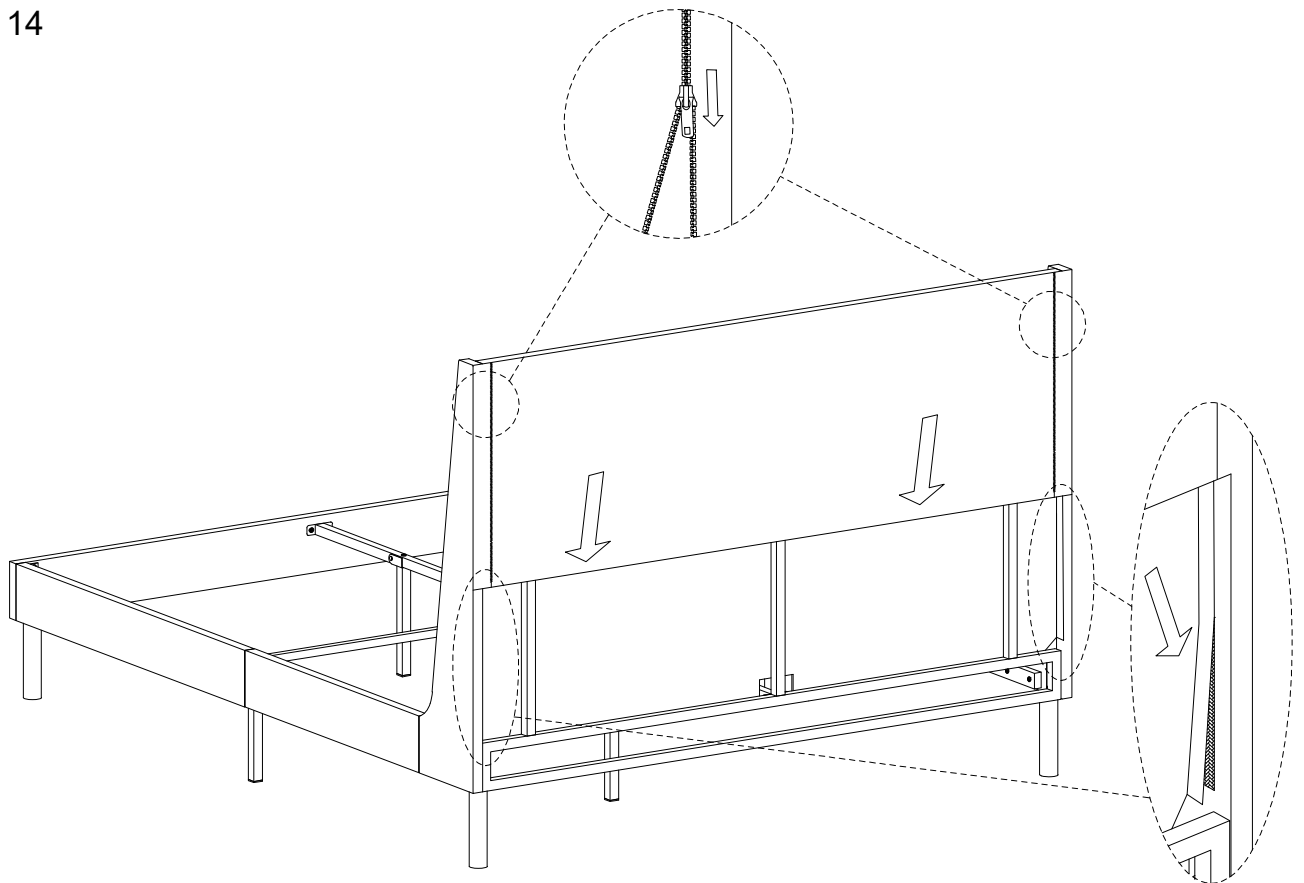
Installation Steps

Step 13



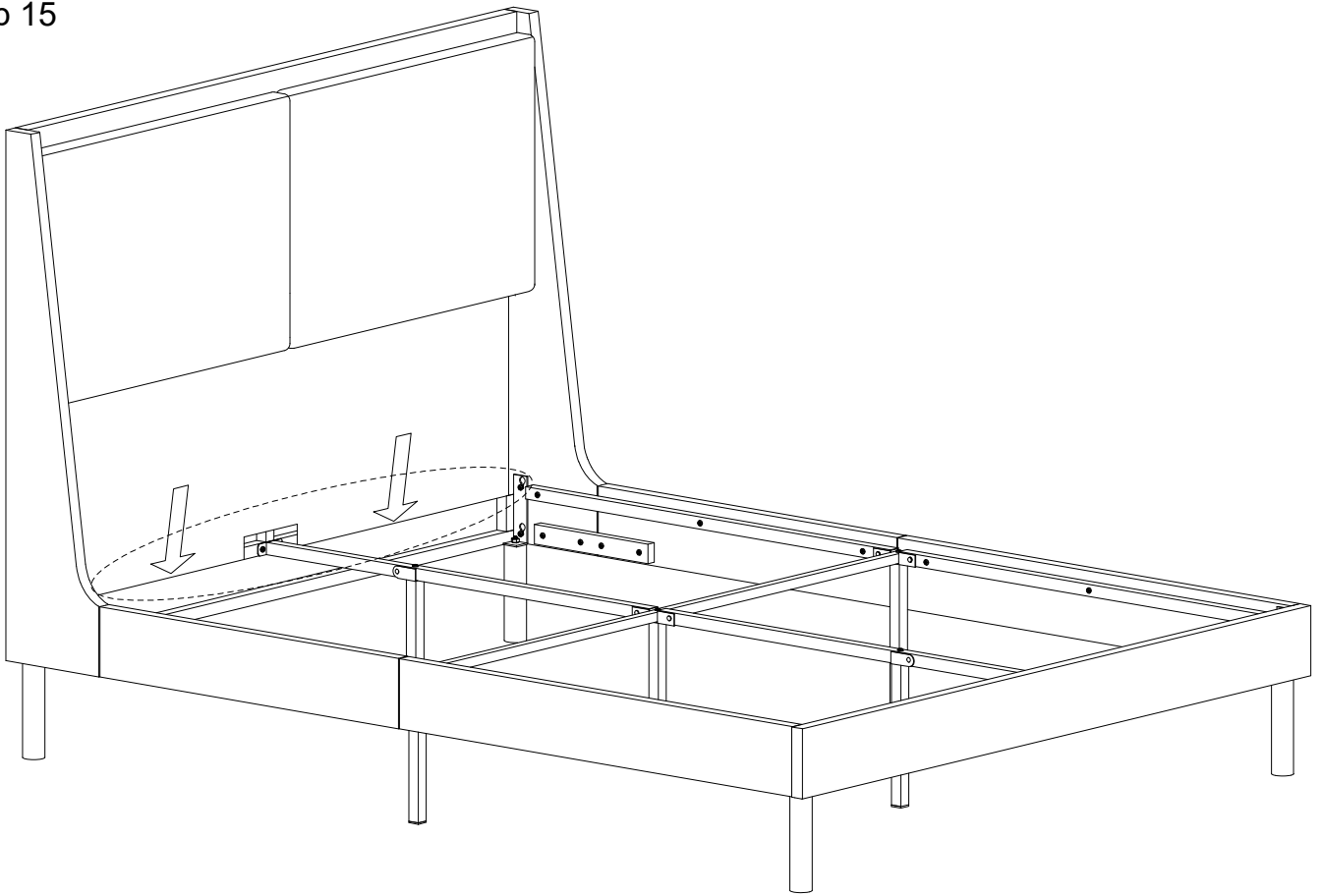
2  x3

Step 14

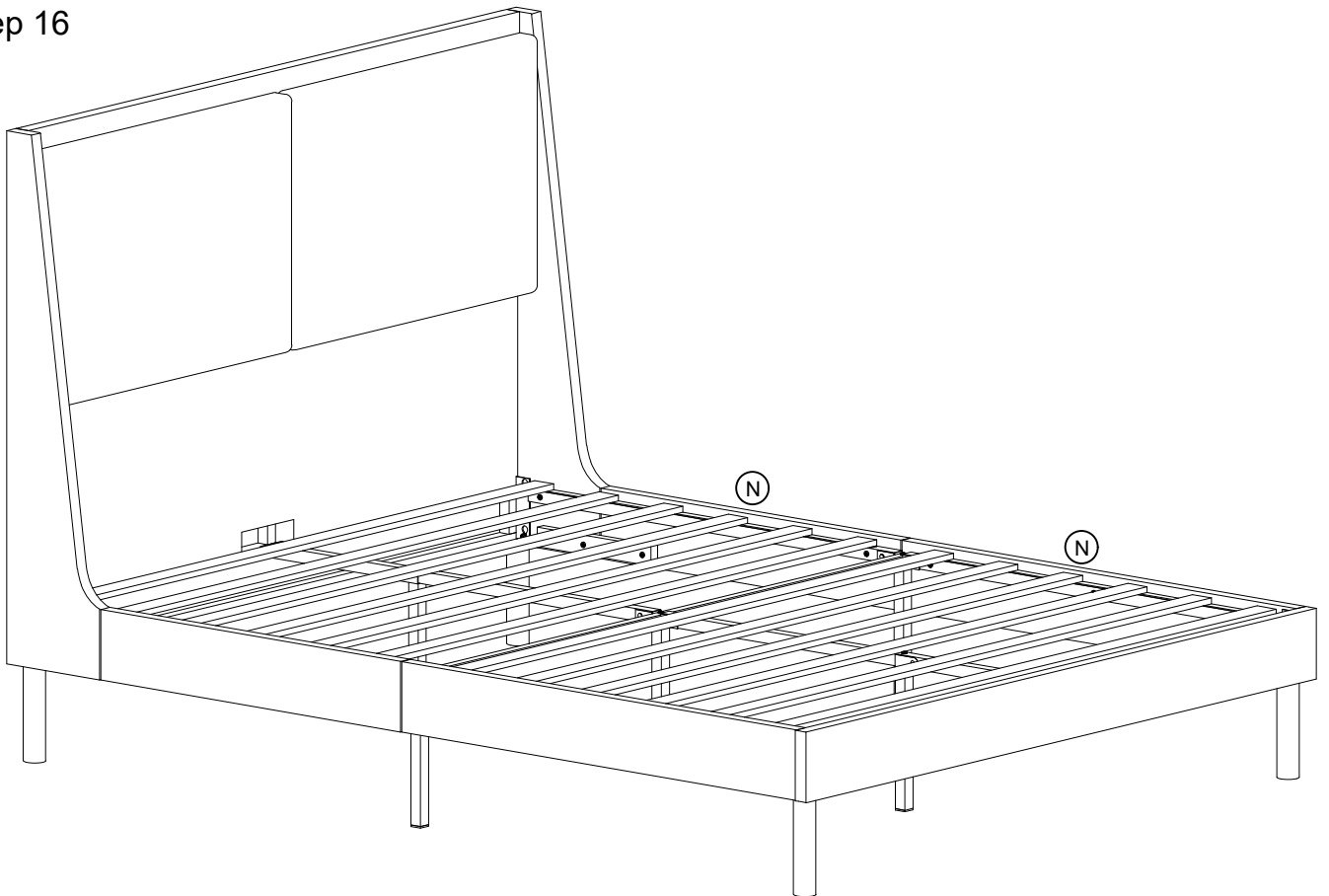


Installation Steps

Step 15



Step 16



Use and Maintenance

1. After delivery, ventilate the area thoroughly to dissipate odors. If not used immediately, store in a dry, well-ventilated space to accelerate off-gassing. For long-term storage, unpack and keep in a dry, ventilated environment to prevent mildew.
2. When unpacking, use blunt tools to prevent scratches or surface damage.
3. Always position the product on a level, stable surface.
4. Avoid prolonged exposure to direct sunlight or intense artificial light to preserve color integrity.
5. Never use corrosive chemicals or abrasive cleaners on fabric surfaces – these may cause fading, premature aging, cracking, or irreversible damage.
6. Maintain ≥ 12 " (30 cm) clearance between fabric surfaces and heat sources (e.g., radiators, space heaters) to prevent fading/shrinkage.
7. Pre-use cleaning: Gently wipe surfaces with a clean, soft, non-abrasive white cloth.
8. Keep sharp objects (scissors, knives, jewelry clasps, etc.) away from fabric to avoid snags or punctures.
9. Restrict pet access to prevent damage from claws or chewing.
10. Trim loose thread ends with scissors; never pull them.
11. Avoid placing newspapers on fabric – ink transfer causes permanent staining.
12. LONG-TERM STORAGE
 - 1) Clean thoroughly before storing
 - 2) Use breathable dust-resistant covers
 - 3) Store in climate-controlled indoor areas

Special Instructions

Cotton Linen Headboard: Natural Adaptation

Over time, your cotton linen headboard may develop subtle contours through natural fiber relaxation - an inherent characteristic of organic upholstery.

To maintain even support and minimize wear:

- Periodically change cushions/backrest positions
- Gently pat surfaces to redistribute fibers and restore loft
- Avoid sustained pressure on single areas (e.g., habitual leaning)

Note: Minor texture variations enhance the material's artisanal character and are not defects.

Cleaning Guide

Surface Maintenance:

- Dust with dry, soft cloth using light strokes (never wet-wipe – moisture causes shrinkage)
- For crevices (headboard joints/footboard seams): Use vacuum with soft brush attachment on LOW suction
→ Never use stiff bristles or high-power settings (prevents fraying)

Stain Prevention:

- Blot spills immediately with absorbent cloth – never rub (rubbing sets stains)
- Keep away from:
 - Sharp objects (jewelry/pet claws)
 - Acidic/alkaline cleaners
 - Alcohol-based products (cause fading/fiber degradation)

Quarterly Maintenance

Fabric Refresh:

1. Mix mild detergent in lukewarm water
2. Dip soft cloth, wring until damp
3. Dab (don't scrub) stained areas
4. Rinse with clean damp cloth
5. Air-dry completely

Odor Control:

1. Sprinkle baking soda evenly
2. Wait 15-20 minutes
3. Vacuum thoroughly

Long-Term Storage

1. Clean thoroughly before storing
2. Cover with breathable linen protector
3. Store disassembled components in dry, ventilated space
→ Never use plastic wraps (traps moisture → mildew)

Cleaning Protocol

1. Treat stains using outward spiral motions (edge → center)
2. Blot dry immediately with clean cloth
3. Air-dry fully before use
→ NEVER expose to direct sunlight/hair dryers
4. For persistent stains: Use only water + colorless mild soap

TYPE OF STAIN	CLEANING METHOD
Dry dirt	Brush delicately using a brush with soft bristles or use a vacuum cleaner at medium power with care.
Soft drinks, tea, coffee, beer, wine, milk, jam	Rapidly remove the liquid from the surface by a dry and clean cloth or absorbent paper to avoid being absorbed. Then rub the stain lightly with a clean and damp cloth soaked in the water.
Greasy substance: oil, grease, butter, chocolate, cosmetic, ink	Promptly remove the stain gently by absorbent paper or absorptive cloth, applying minimal pressure to prevent the stain from entering the pores of the leather. Use a clean cloth, soaked in a very diluted solution of neutral soap, rubbing delicately.
Chewing gum, candle wax	Cool down the mark ice, folded in a cellophane bag, then gently remove the mark. If the mark is still visible, try to remove by a normal soft rubber eraser.

TroubleShooting

Symptoms	Cause Analysis	Cause Analysis
Sofas, soft beds, dining chairs, and leisure chairs are unstable and shake after being placed	Four feet are not evenly on the ground	Depending on the ground clearance, use suitable hard objects to level it (some conference chairs can adjust the height of the rubber pad on the sole of the foot to balance the chair body)
Inflexible use of furniture moving parts	Loose connection of moving parts or lack of lubricating oil	Retighten the connecting screws to make the connection firm
Armrest loose	Armrest screws loose	Tighten the connecting screws and add lubricating oil properly
Scratches and bumps on painted wood	Paint surface damaged	Touch it up with paint of the same color
Deformation of the foam	Caused by long term transportation of use	Using a steamer, gently apply steam to the affected area of the sofa, and then use your hands to reshape it. Be careful not to get the sofa too wet or to burn yourself with the steam.