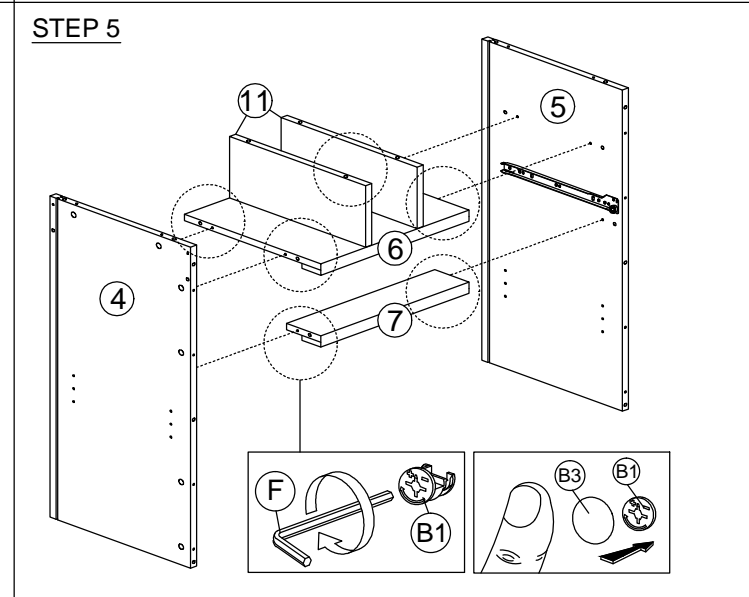
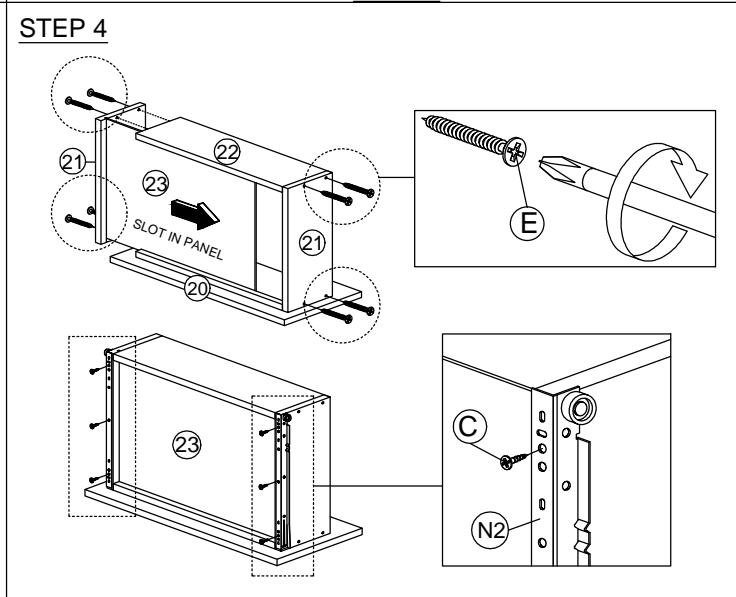
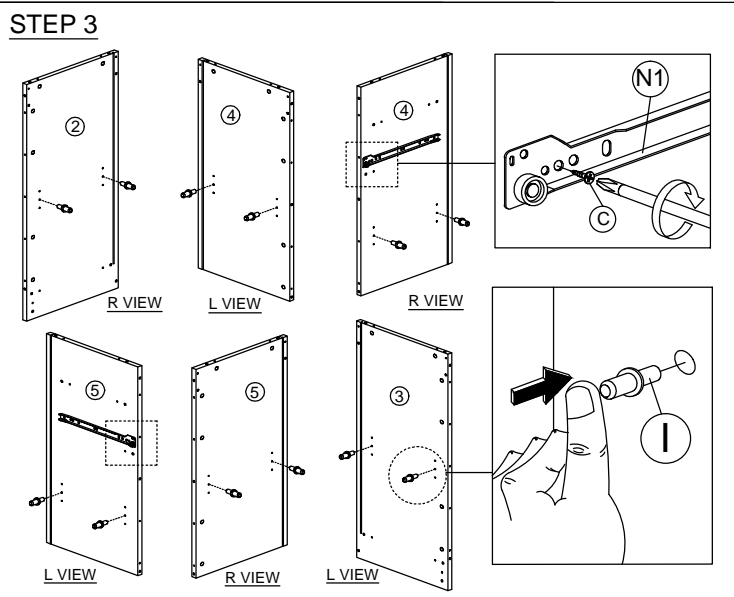
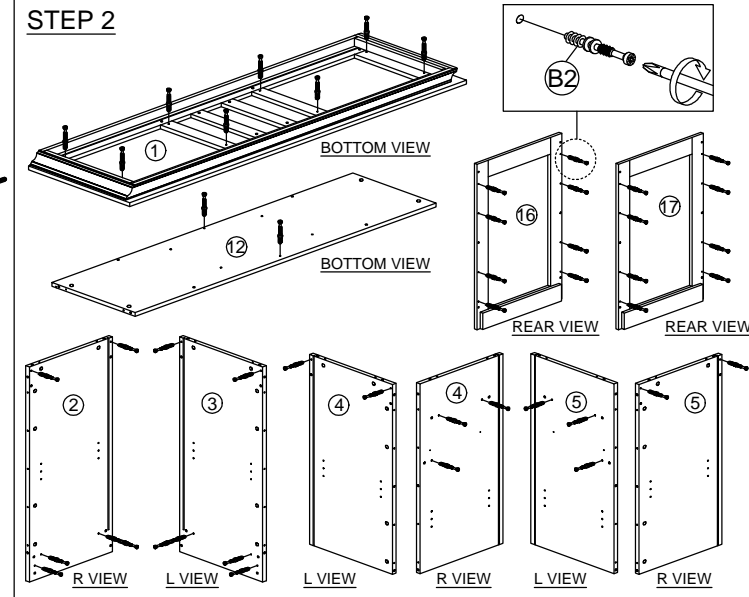
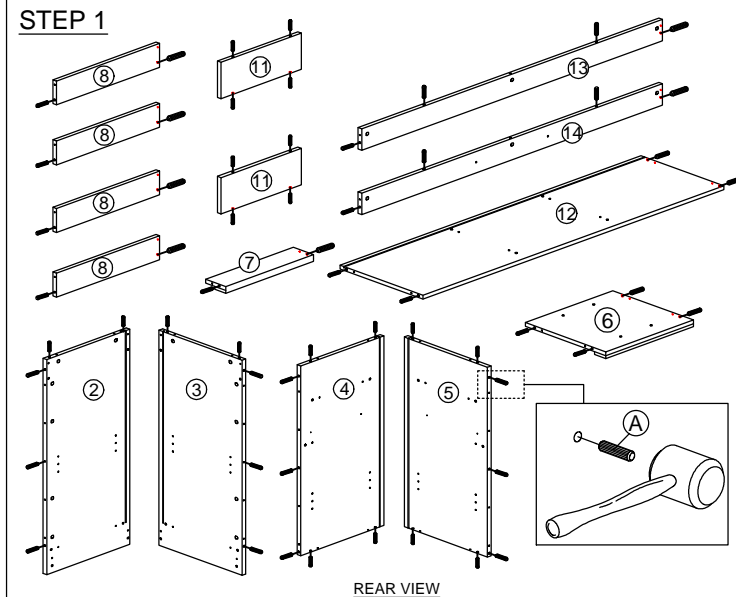
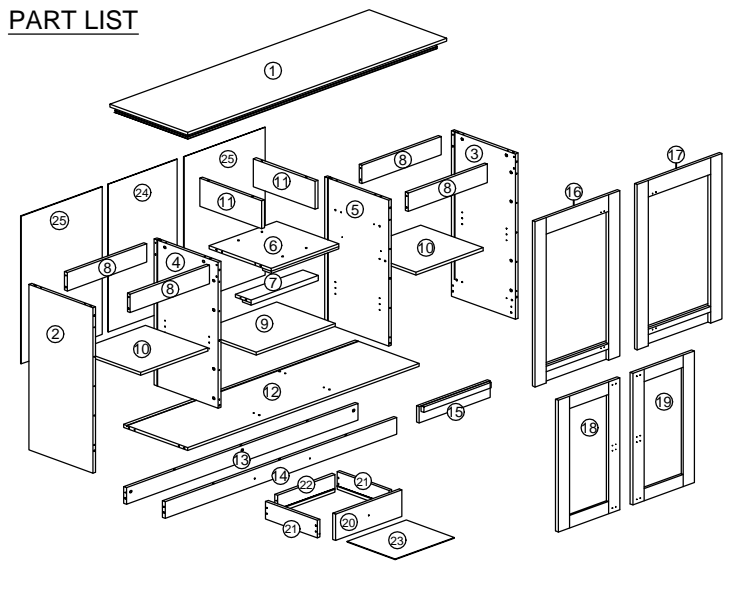


ASSEMBLY INSTRUCTION

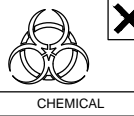
DESCRIPTION : BUFFET

HARDWARE	A	B	C	D	E	F	G	H	I	J	K	L	M	N	
	WOOD DOWEL M8 X 25MM	MINIFIX 5654+5546	QUICKFIT CAP	CB SCREW M3.5X16MM	CB SCREW M4X28MM	CB SCREW M4X38MM	ALLEN KEY M4	HANDLE G1	HANDLE SCREW M4X35MM	PVC NAIL WITH PIN 5/8	SHELF SUPPORT	CORNER HINGES	PVC CORNER L BRACKET	CSK CAP WOOD M6X50MM	DRAWER SLIDE 12"
	58	48 SETS	60	2	8	1	1	1	8	12	4	4	4	1 SET	

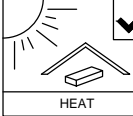




SOFT, DRY CLOTH



CHEMICAL



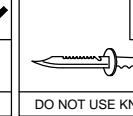
HEAT



KEEP DRY



HANDLE WITH CARE

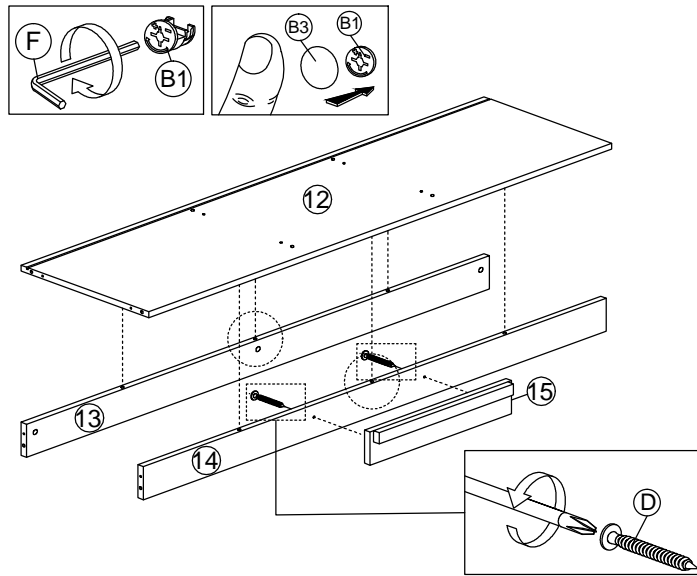


DO NOT USE KNIFE

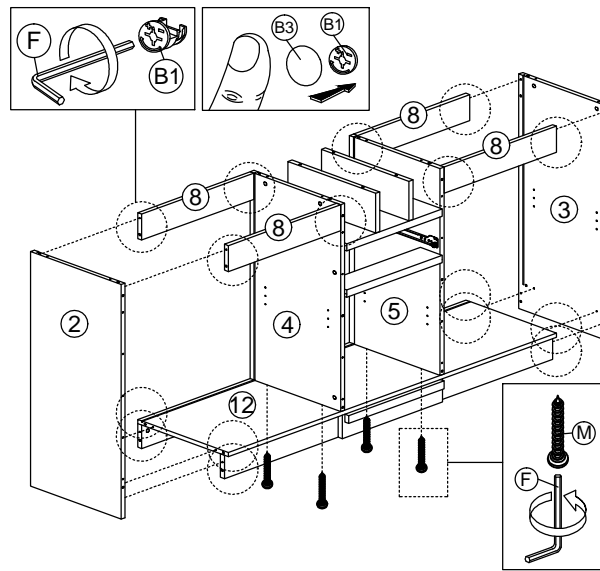
ASSEMBLY INSTRUCTION

DESCRIPTION : BUFFET

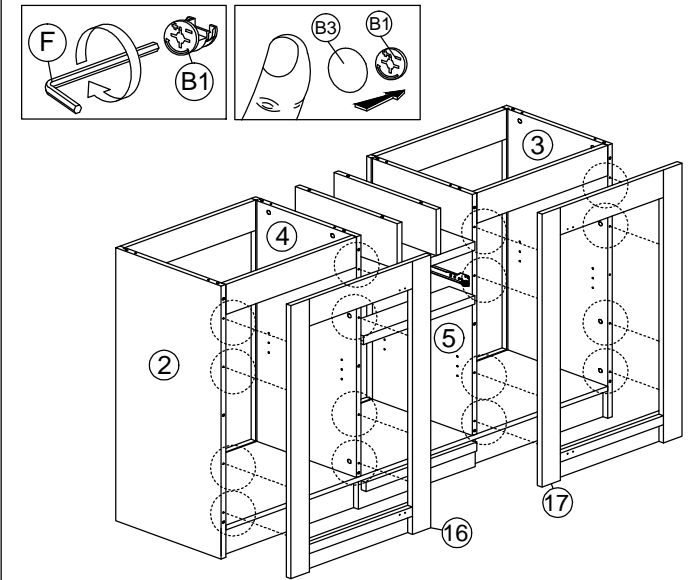
STEP 6



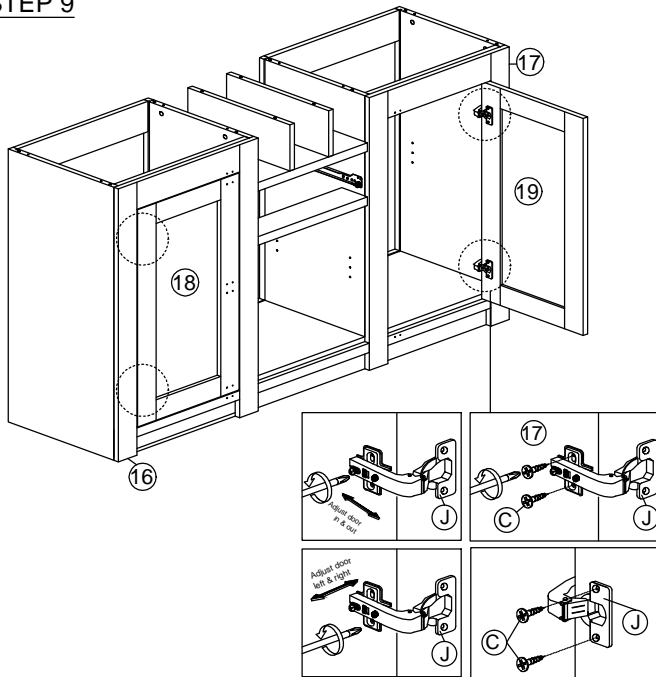
STEP 7



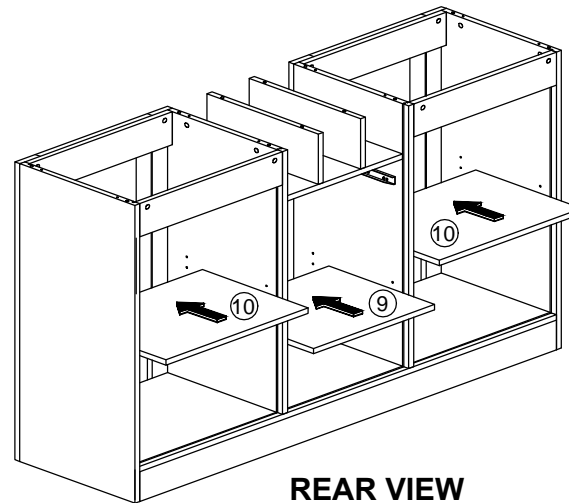
STEP 8



STEP 9

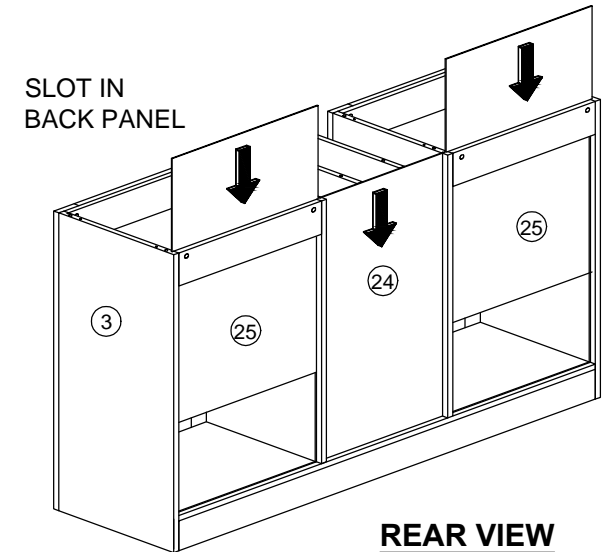


STEP 10



REAR VIEW

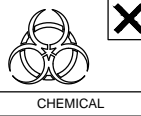
STEP 11



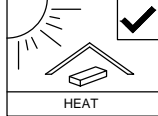
REAR VIEW



SOFT, DRY CLOTH



CHEMICAL



HEAT



KEEP DRY



HANDLE WITH CARE

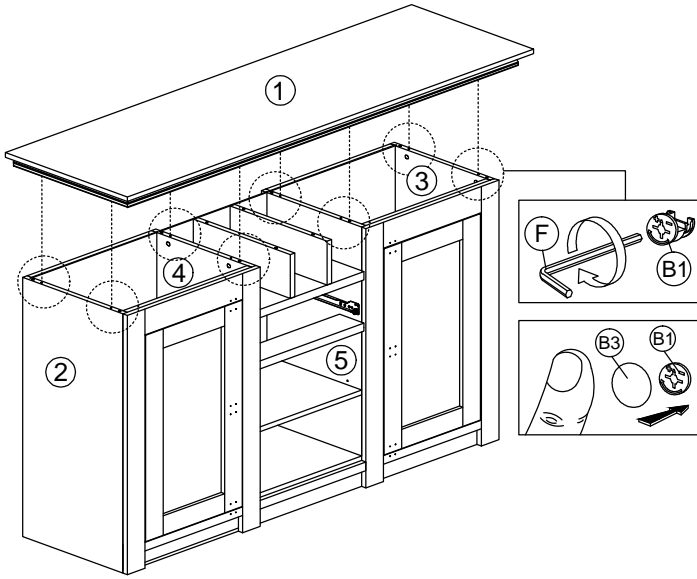


DO NOT USE KNIFE

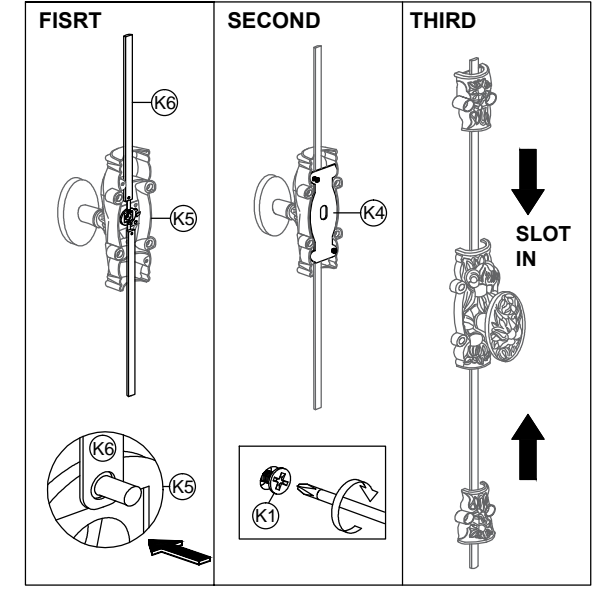
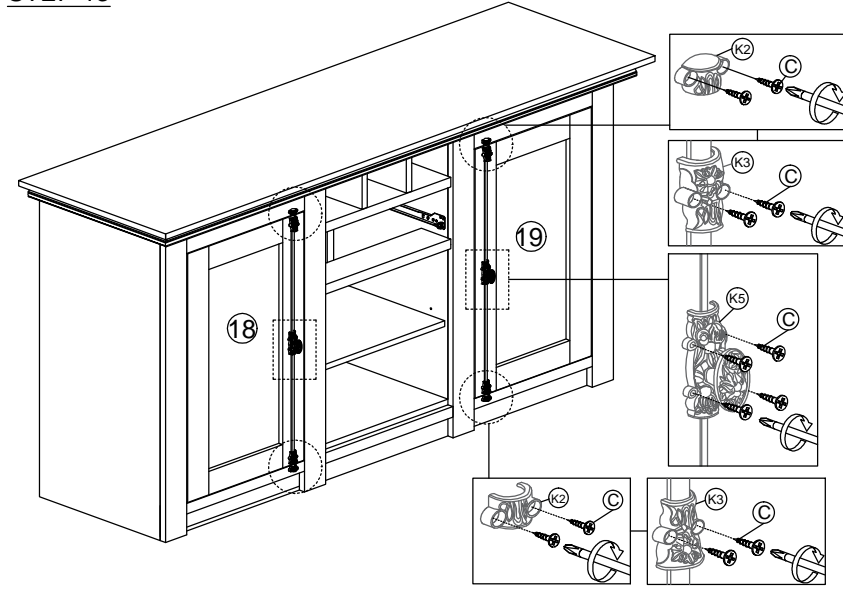
ASSEMBLY INSTRUCTION

DESCRIPTION : BUFFET

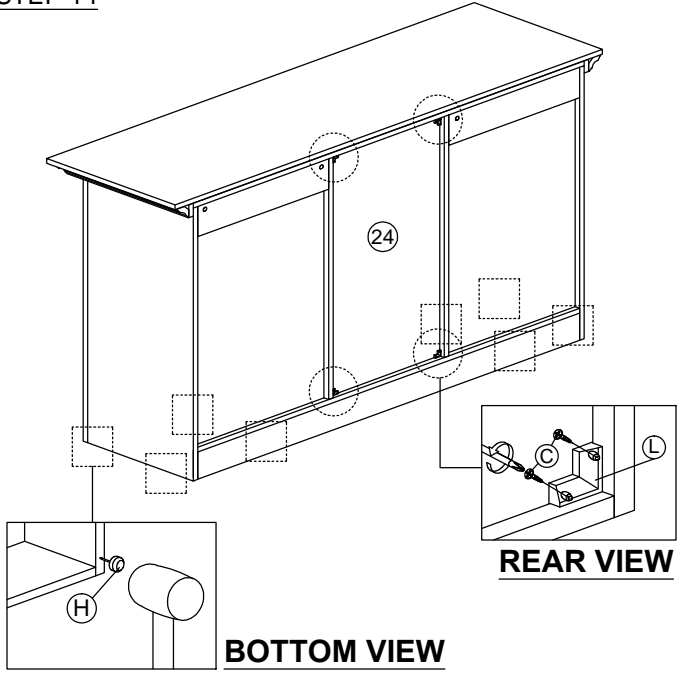
STEP 12



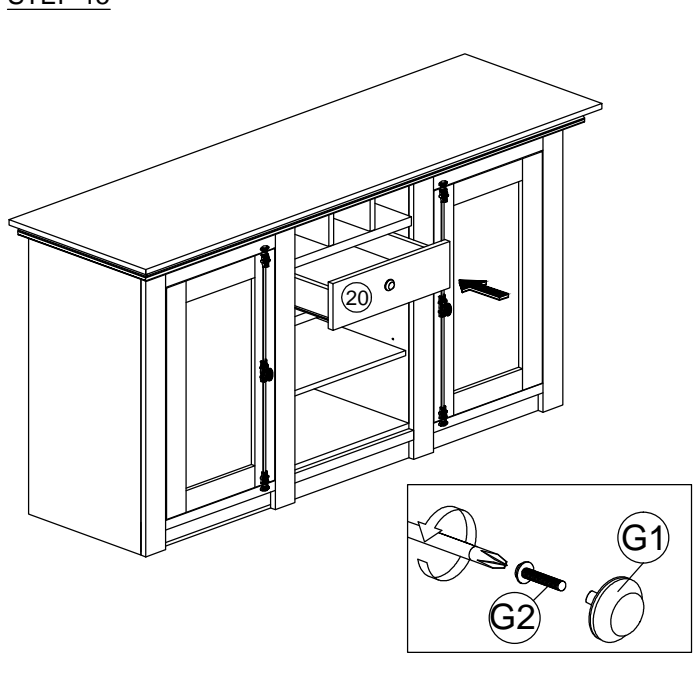
STEP 13



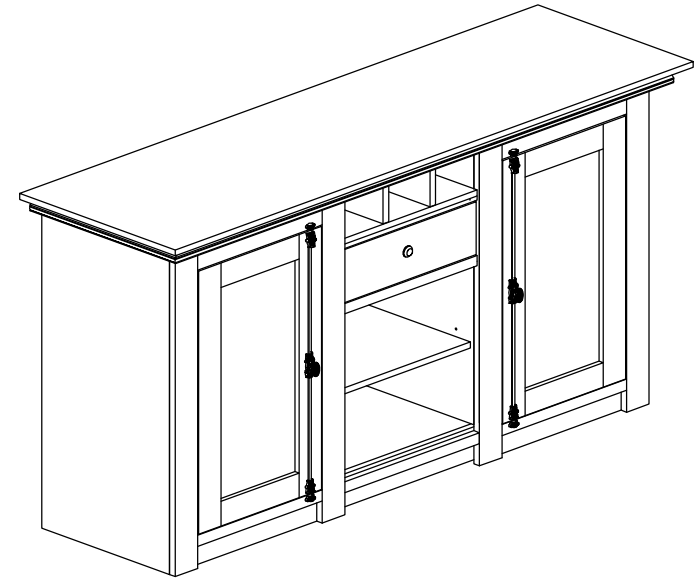
STEP 14



STEP 15

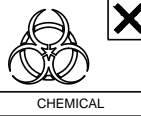


COMPLETED

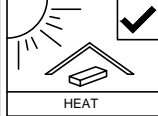




SOFT, DRY CLOTH



CHEMICAL



HEAT



KEEP DRY



HANDLE WITH CARE



DO NOT USE KNIFE

ASSEMBLY INSTRUCTION

DESCRIPTION : BUFFET

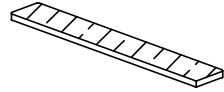
ANTI STOPPER

Z1



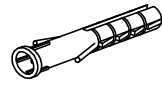
WASHER
X4

Z2



SAFETY STRAP
X2

Z3



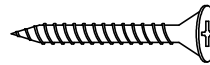
PLASTIC WALL ANCHOR-RED
X2

Z4



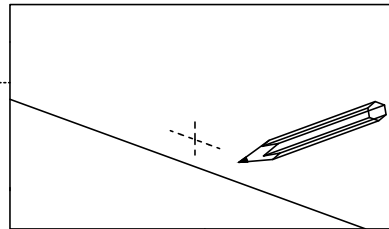
CB SCREW
M3.5X16MM
X2

Z5

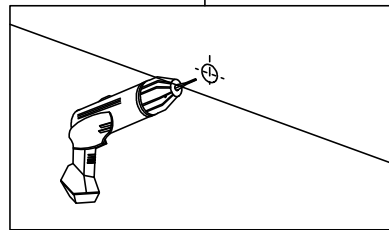


CB SCREW
M4X38MM
X2

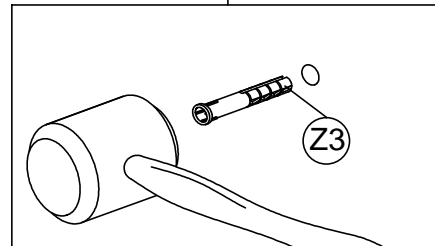
1.



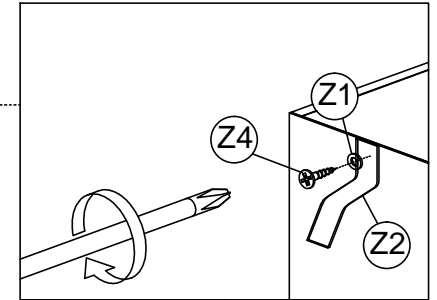
2.



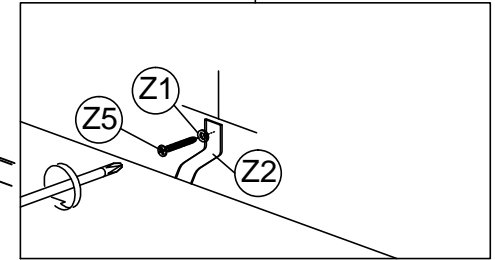
3.



4.



5.



⚠ WARNING

Serious or fatal crushing injuries can occur from furniture tipover. To help prevent tip-over:

- Install tip over restraint provided.
- Place heaviest items in the lower drawers.
- Unless specifically designed to accommodate, do not set TVs or other heavy object on top of this product.
- Never allow children to climb or hang on drawers, doors or shelves.
- Never open more than one drawer at a time.
(OR)
- Do not defeat or remove the drawer interlock system.

Use of tipover restraints may only reduce, but not eliminate, the risk of tipover.

This is a permanent label. Do not remove.

