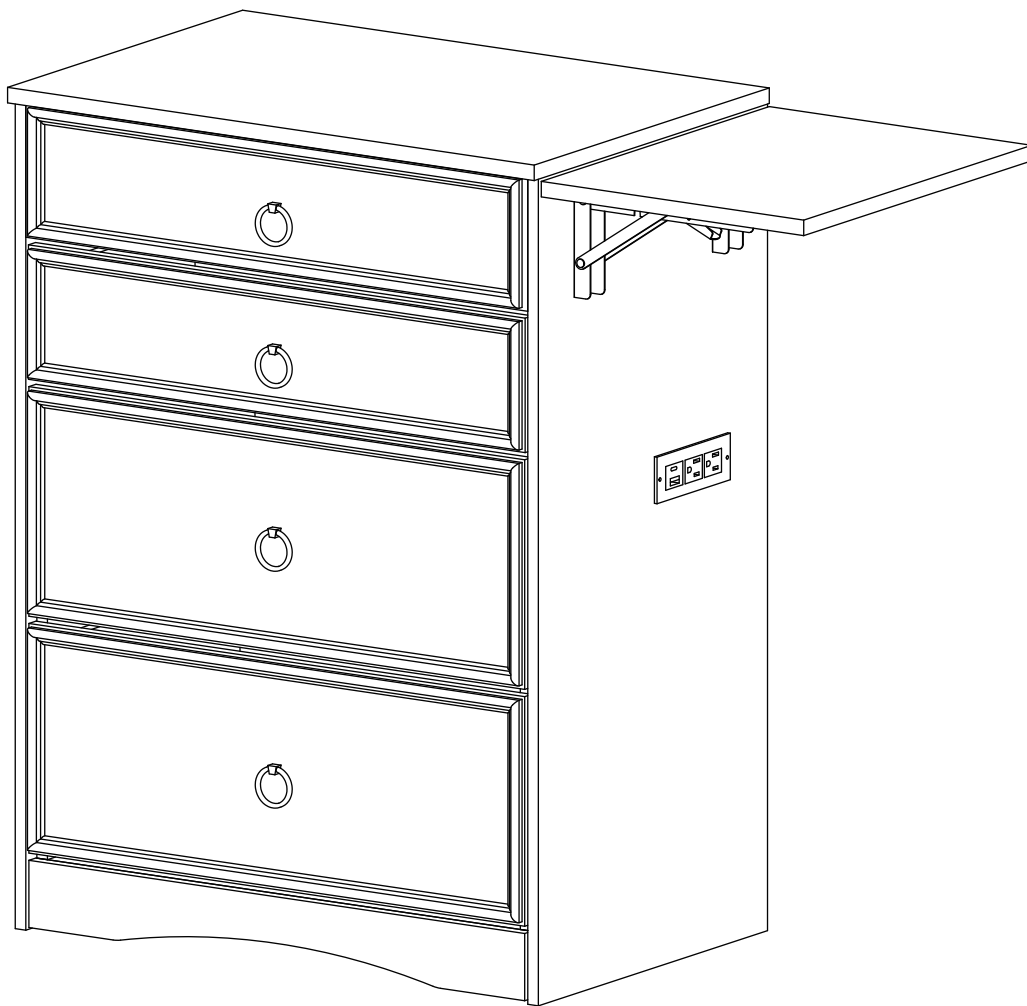


LED multi-functional vanity

Assembly Instructions - Please keep for future reference



Dimensions

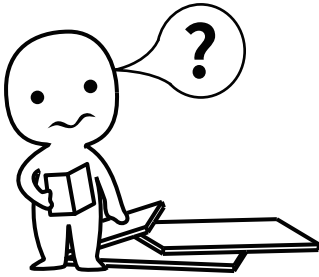
Width - 23.6 inch

Depth - 15.7 inch

Height - 32.3 inch

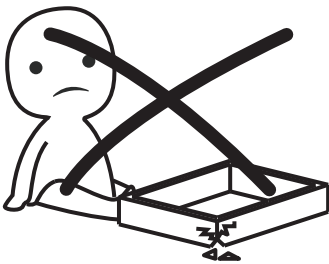
Any question please feel free to contact us. We will provide further assistance within 24 hours.

Important – Please read these instructions fully before starting assembly



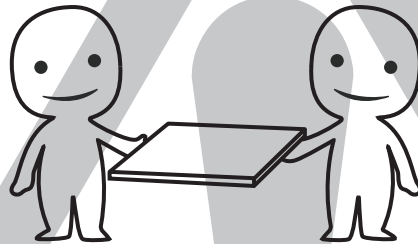
IMPORTANT INFORMATION!

please read the entire manual before starting to assemble and/or using this product. follow the manual thoroughly and keep it for further reference.



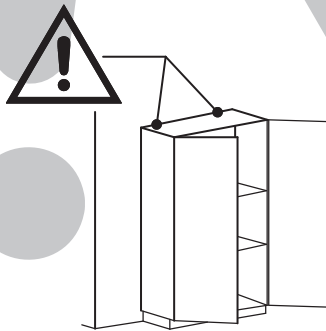
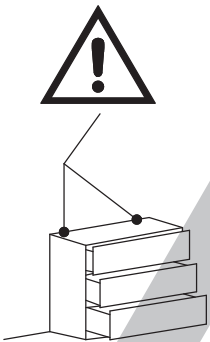
AVOID SCRATCHES!

In order to avoid scratching this furniture should be assembled on a soft layer- could be a rug.



IMPROVE EFFICIENCY !

Try to find a partner to install with you, which can speed up the installation efficiency and shorten the time.



ANTI-TOPPLE WARNING !

Overtured furniture can cause serious or fatal crush injuries. To prevent tipping over, be sure to use the wall attachment, if not included with this product. Please purchase the wall attachment that fit your wall. If unsure, seek professional advice. Please read and follow each step of the instructions carefully.



Safety and Care Advice

Important – Please read these instructions fully before starting assembly

- Check you have all the components and tools listed on the following pages.
- Remove all fittings from the plastic bags and separate them into their groups.
- Keep children and animals away from the work area, small parts could choke if swallowed.
- Make sure you have enough space to layout the parts before starting.

- During assembly do not stand or put weight on the product, this could cause damage.
- Assemble the item as close to its final position (in the same room) as possible.
- Assemble on a soft level surface to avoid damaging the unit or your floor.
- Parts of the assembly will be easier with 2 people.



- To reduce the likelihood of damaging your product please ensure that your power drill is set on a low torque setting.

Care and maintenance

- Only clean using a damp cloth and mild detergent, do not use bleach or abrasive cleaners.
- From time to time check that there are no loose screws on this unit.
- This product should not be discarded with household waste. Take to your local authority waste disposal centre.

Handy Hints

- Assemble all parts and bolts loosely during assembly, only once the product is complete should you fully tighten the bolts
- Regularly check and ensure that all bolts and fittings are tightened properly.

WARNING In order to help prevent overturning – please follow these instructions

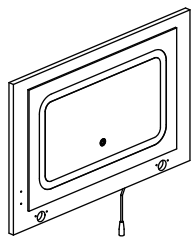
To help prevent product toppling over please follow the below steps:-

Use the anti tip strap or wall fixing method provided (if applicable)
Do not allow children to climb or hang on the furniture
Do not open more than one drawer at a time
Do not place heavy items in the top drawers
Do not place heavy items on top of the furniture, unless the furniture has been designed for this purpose

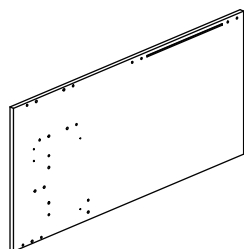
Please note that only the anti tip strap is provided.
You will need to provide wall plugs and screws applicable for your wall type

Componets - Panels

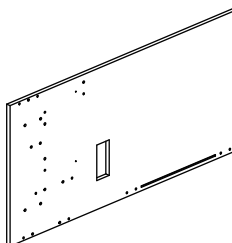
Please check you have all the panels listed below



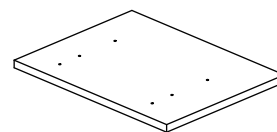
1 (598*398*15mm x1)



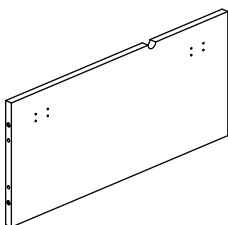
2 (800*388*12mm x1)



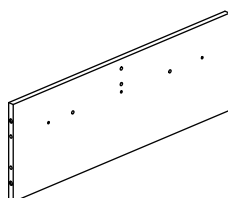
3 (800*388*12mm x1)



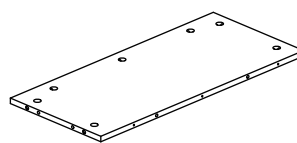
4 (386*298*15mm x1)



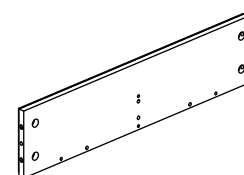
5 (570*255*15mm x1)



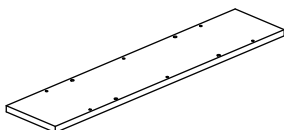
6 (570*200*12mm x1)



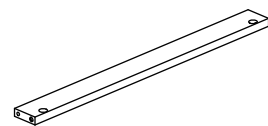
7 (570*254*12mm x1)



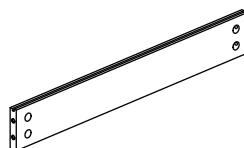
8 (570*130*12mm x1)



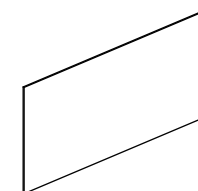
9 (570*122*12mm x1)



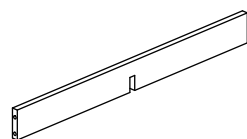
10 (570*50*15mm x1)



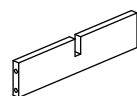
11 (570*78*15mm x2)



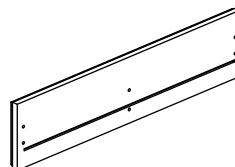
12 (578*262*3mm x1)



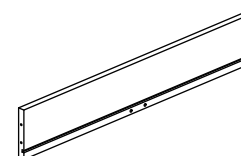
13 (570*58*12mm x1)



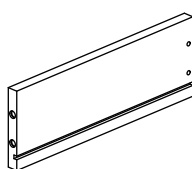
14 (254*58*12mm x1)



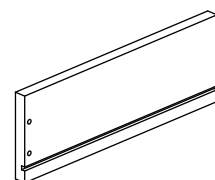
15 (563*130*12mm x1)



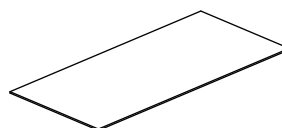
16 (521*88*12mm x1)



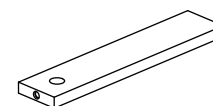
17 (250*88*12mm x1)



18 (250*88*12mm x1)



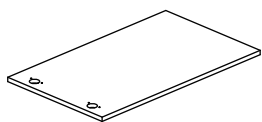
19 (529*245*3mm x1)



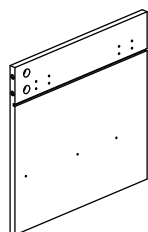
20 (237*50*12mm x1)

Componets - Panels

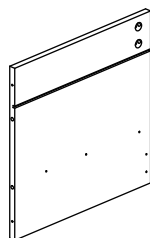
Please check you have all the panels listed below



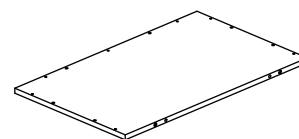
21 (558*335*12mm x1)



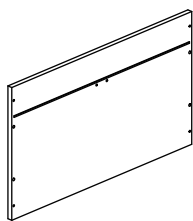
22 (327*323*12mm x1)



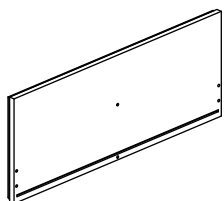
23 (327*323*12mm x1)



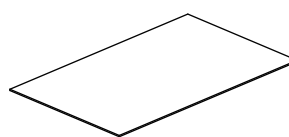
24 (561*340*12mm x1)



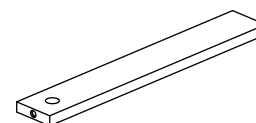
25 (561*323*12mm x1)



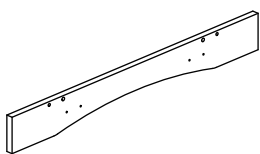
26 (563*220*12mm x1)



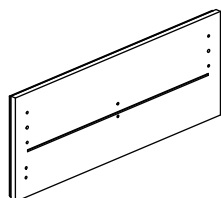
27 (543*335*15mm x1)



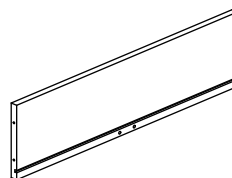
28 (327*50*12mm x1)



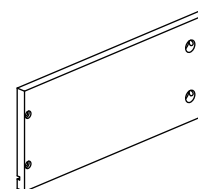
29 (563*65*12mm x1)



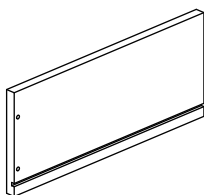
30 (563*220*12mm x1)



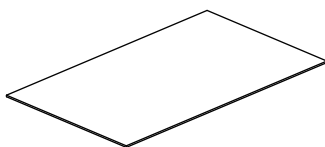
31 (486*128*12mm x1)



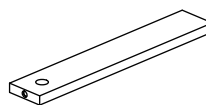
32 (300*128*12mm x1)



33 (300*128*12mm x1)



34 (494*295*3mm x1)

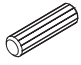
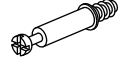

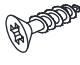
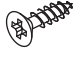
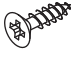
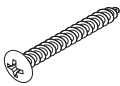
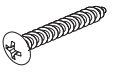

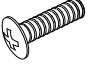

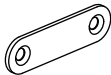


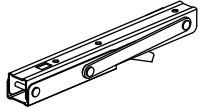
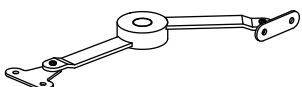
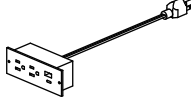

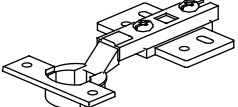
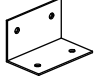
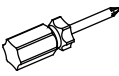
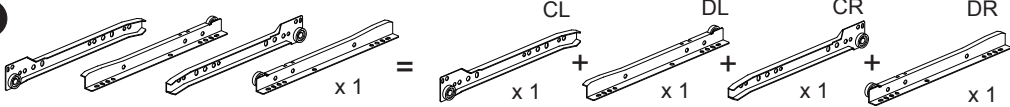
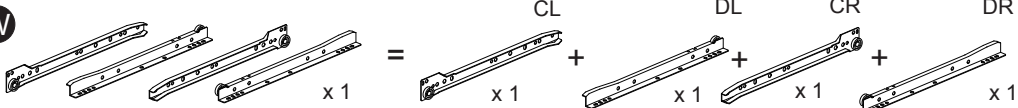


35 (287*50*12mm x1)

Component - Fittings

Please check you have all the fittings listed below

Note: The quantities below are the correct amount to complete the assembly. In some cases more fittings may be supplied are required.

A  6*30mm Wooden Dowel x 44	B  6*35mm Cam Bolt x 46	C  Cam Lock x 46
D  3*12mm Screw x 2	E  3.5*12mm Screw x 56	F  3*14mm Screw x 2
G  4*40mm Screw x 4	H  4*35mm Screw x 27	I  6*10 mm Bolt x 20
J  4*16mm bolt x 4	K  x 1	L  x 1
M  x 4	N  x 4	O  x 2
P  x 1	Q  x 1	R  x 1
S  x 4	T  x 2	U  x 1
V  x 1 = CL x 1 + DL x 1 + CR x 1 + DR x 1		
W  x 1 = CL x 1 + DL x 1 + CR x 1 + DR x 1		

Tools required



Phillips screwdriver
(medium & large)

Ruler - Use this ruler to help correctly identify the screws

0 5 10 15 20 25 30 35 40 45 50 55 60 65 70 75 80 85 90 95 100 105 110 115 120 125 130 135 140 145 150 155 160 165 170

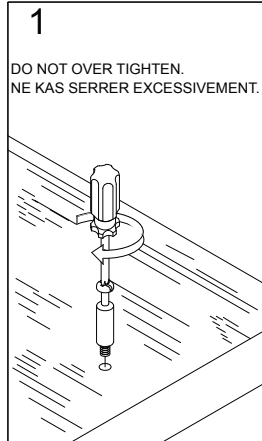


The screws length is measured from the head to the point (30mm screw shown).

Using Camlocks

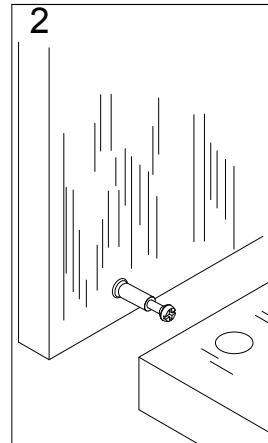
Step 1

Connect the male camlock as directed in the assembly instructions using a screwdriver.



Step 2

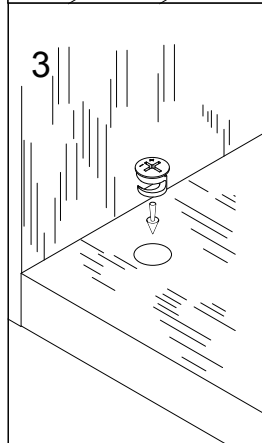
Push the male camlock into the entry hole.



Step 3

Insert the female camlock as shown in the instructions.

Note: ensure that the arrow on the top of the camlock points towards the entry hole for the male camlock.

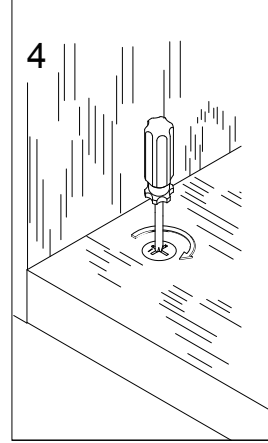


Step 4

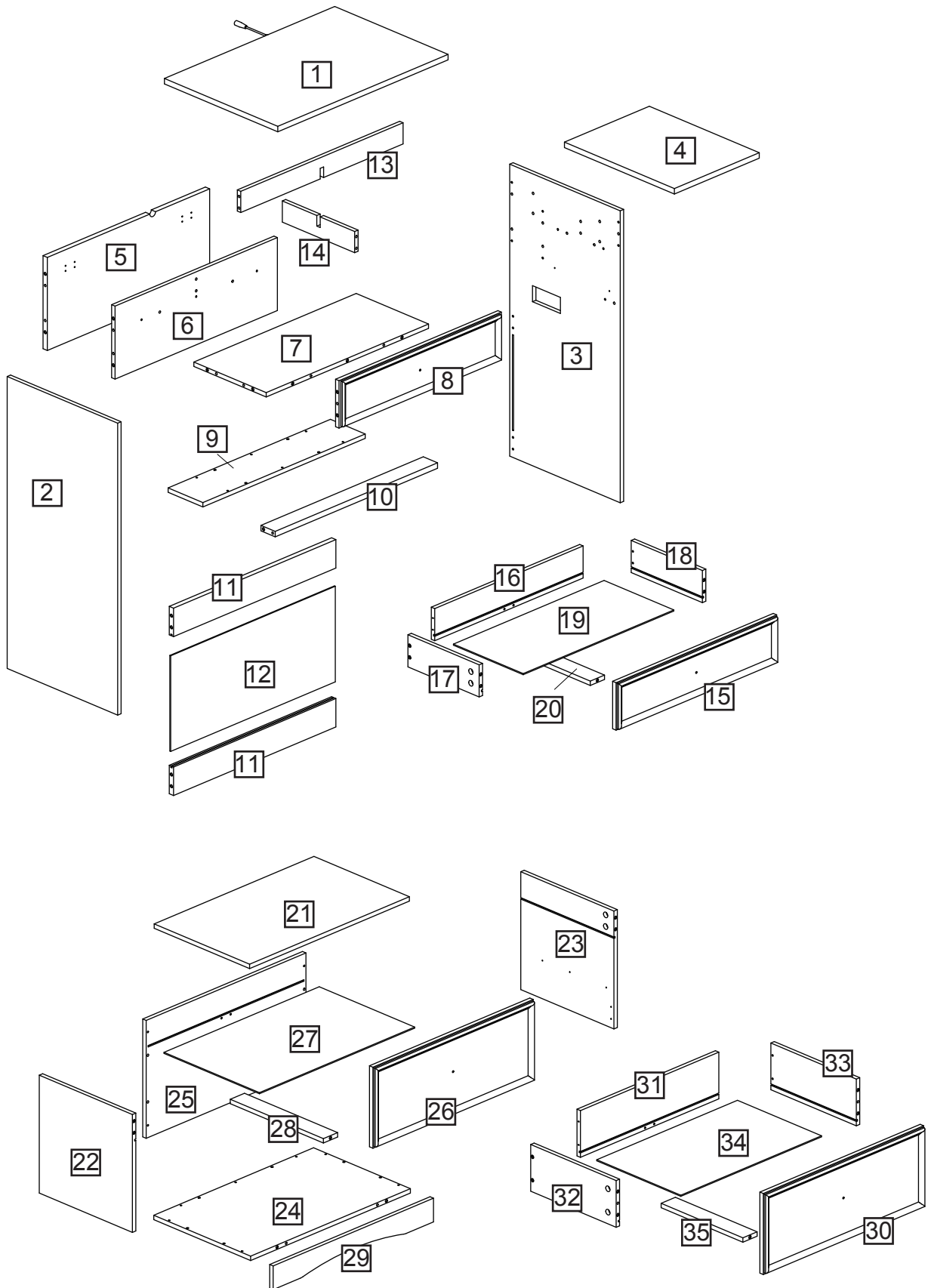
Turn the female camlock clockwise with a screwdriver.

You should feel a click when the camlock is locked in place.

The joint is now secure.



Assembly Instructions

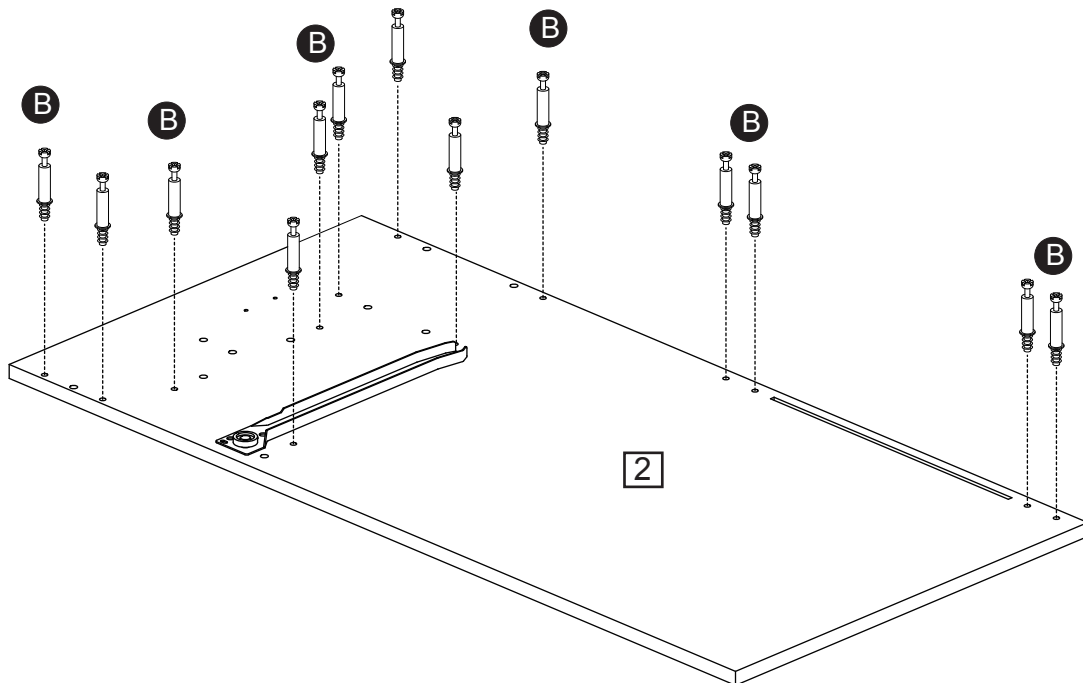
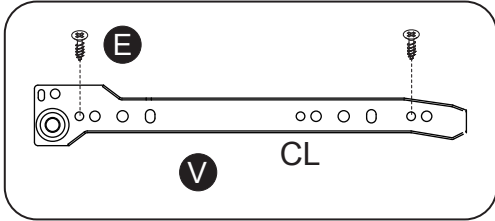
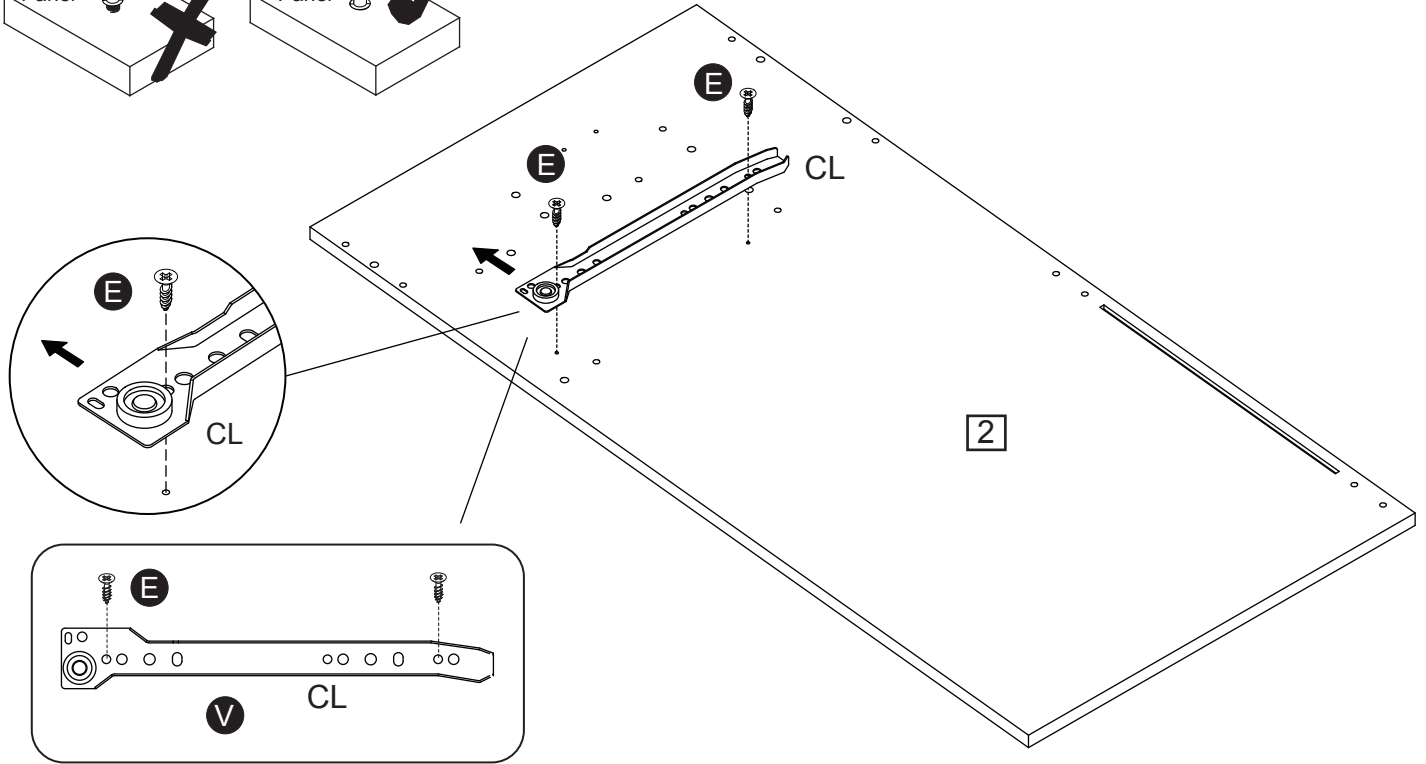
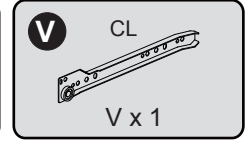
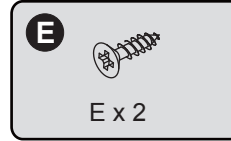
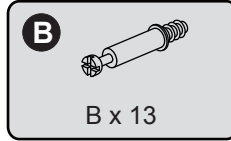
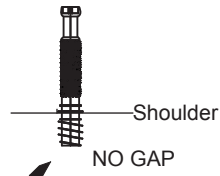
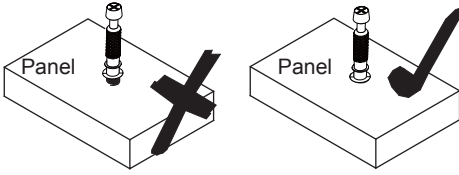


Assembly Instructions

Step 1

CAM-LOCK

Tighten until shoulder is flush with panel. Do not overtighten or undertighten (see example below)

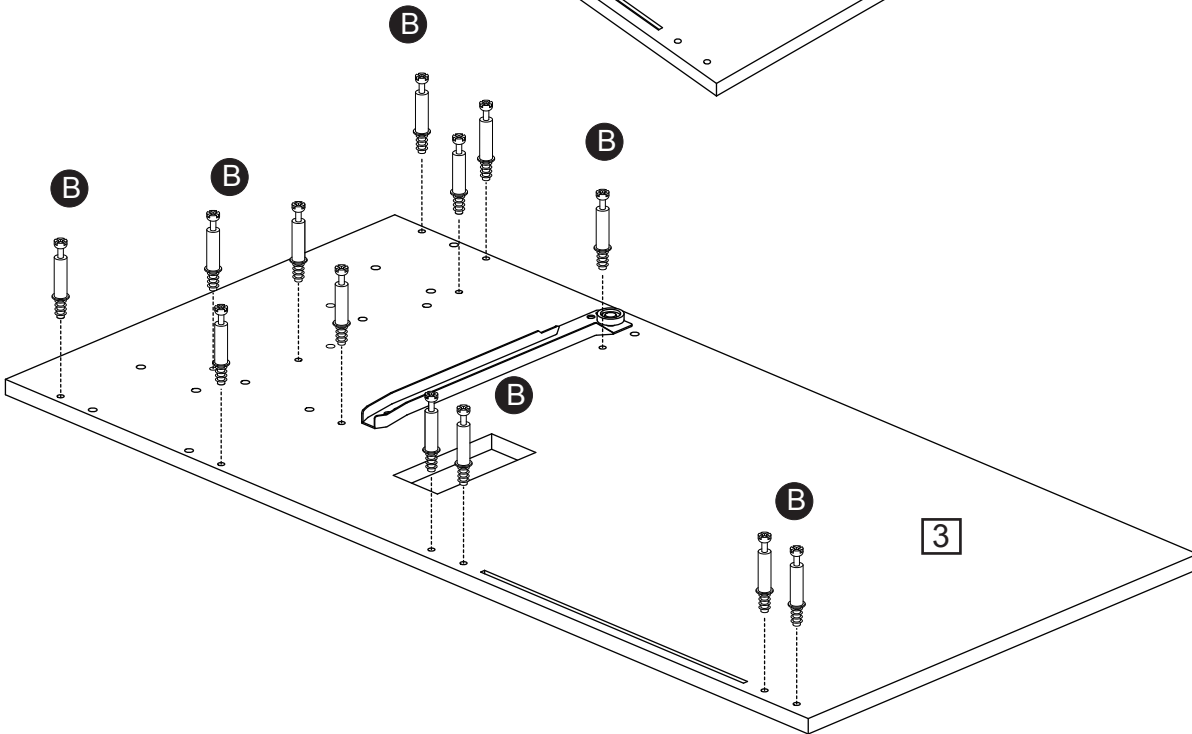
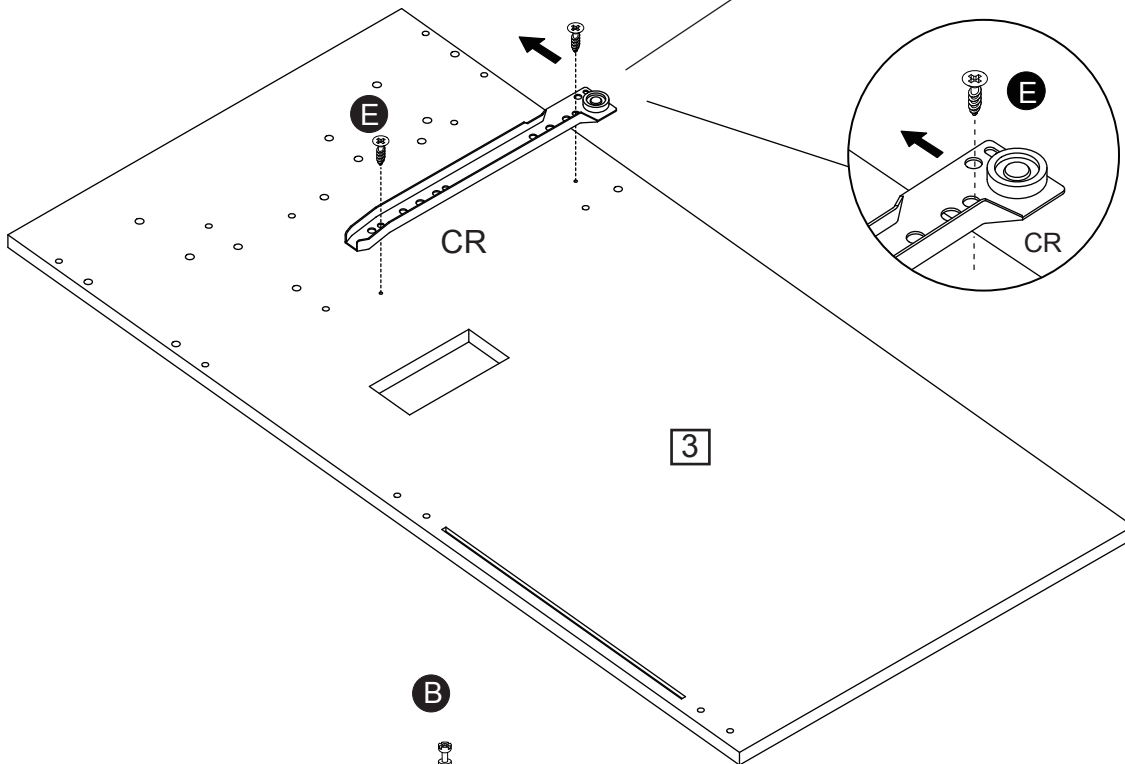
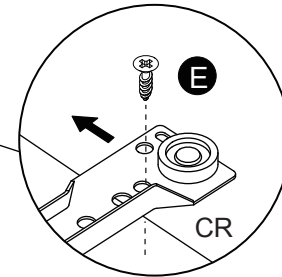
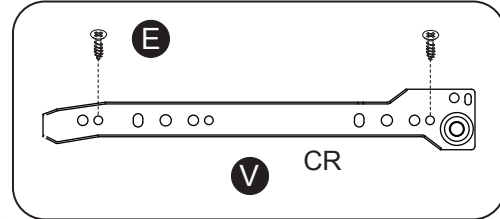
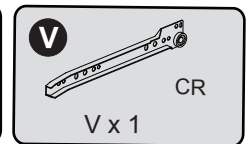
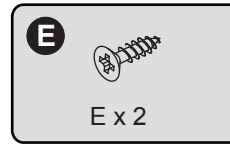
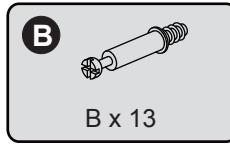
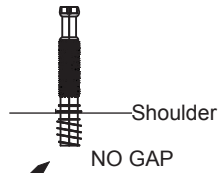
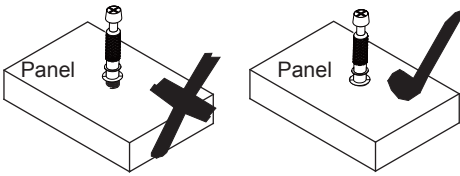


Assembly Instructions

Step 2

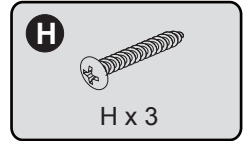
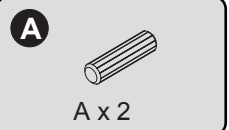
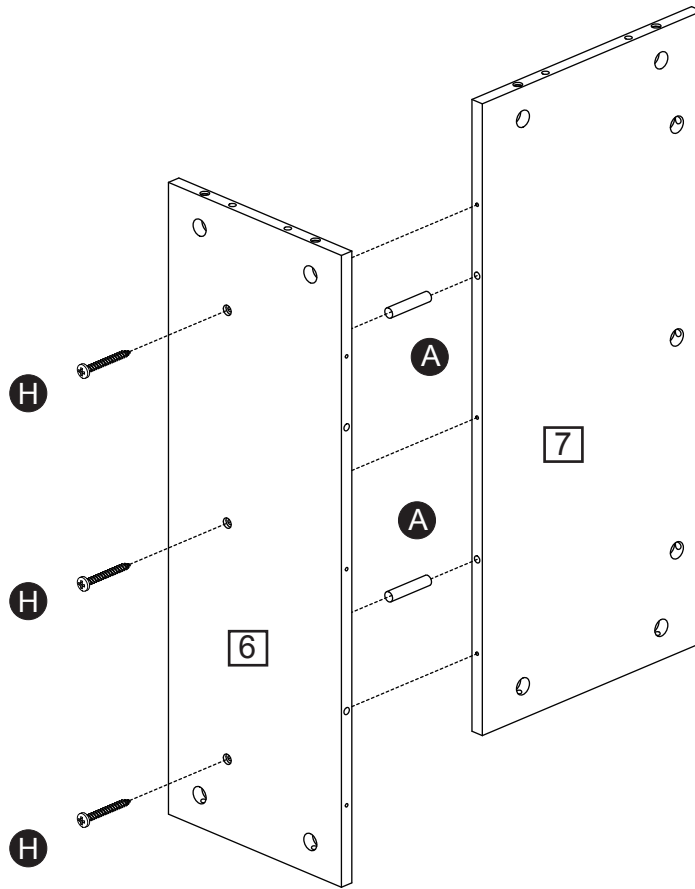
CAM-LOCK

Tighten until shoulder is flush with panel. Do not overtighten or undertighten (see example below)

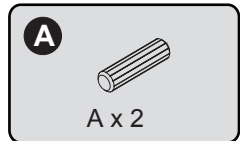
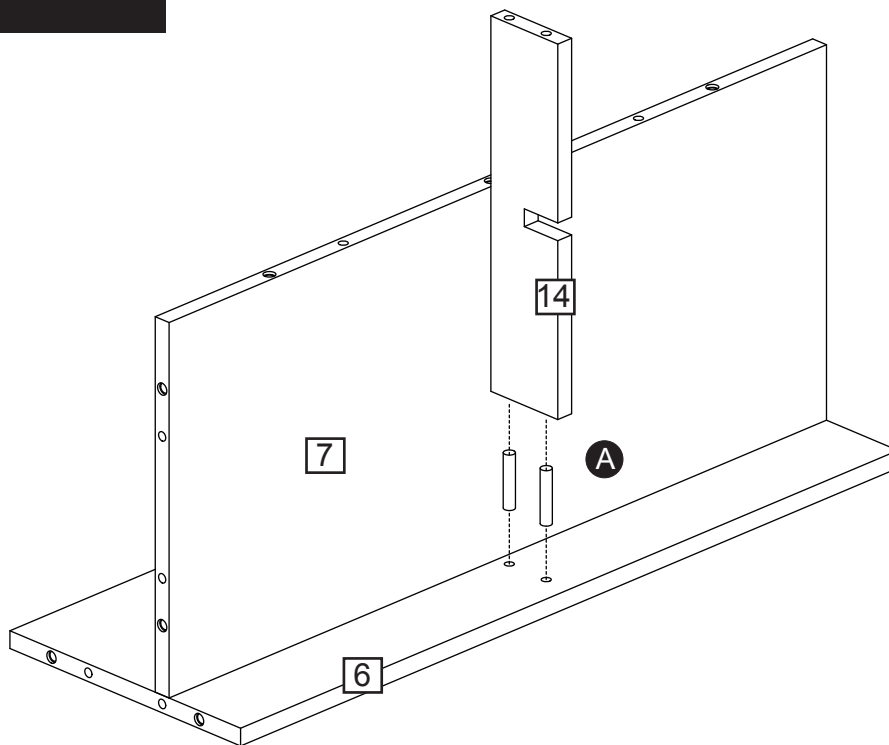


Assembly Instructions

Step 3



Step 4

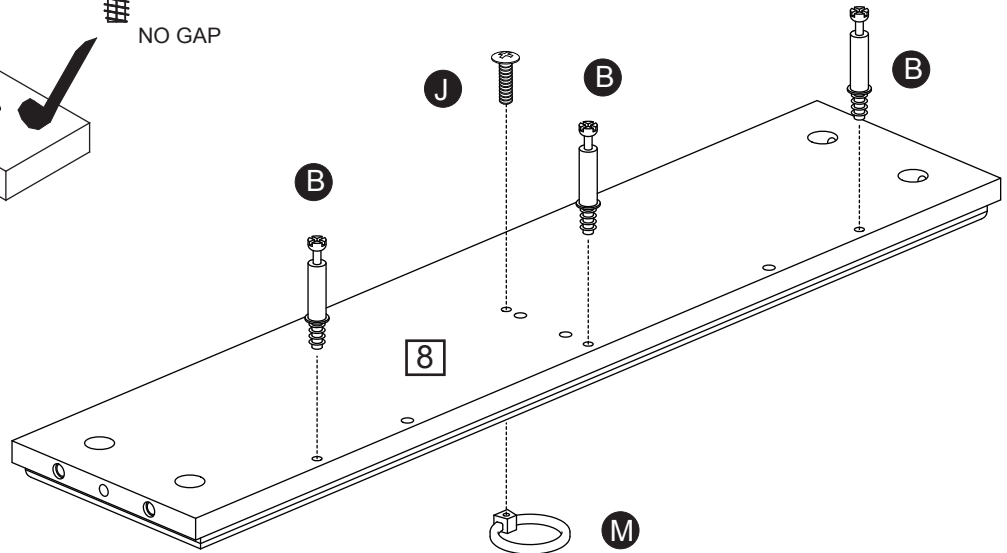
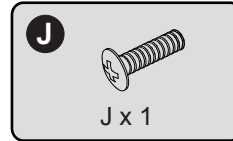
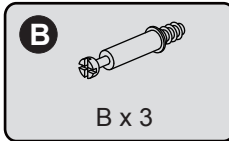
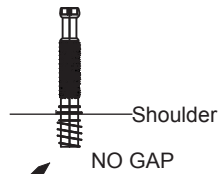
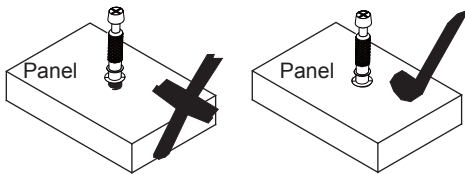


Assembly Instructions

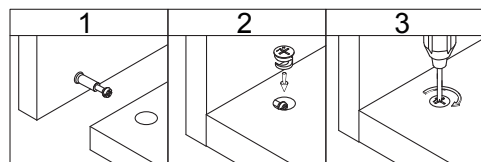
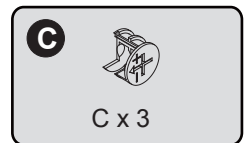
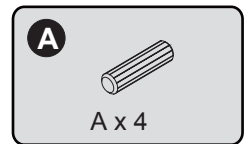
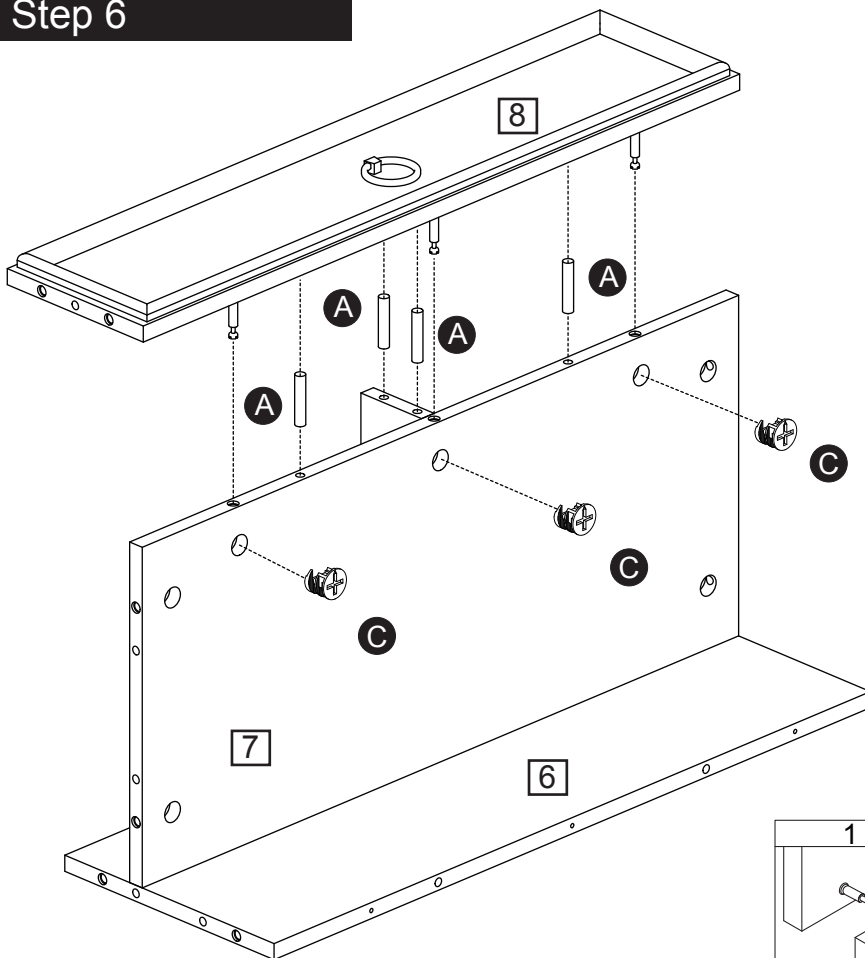
Step 5

CAM-LOCK

Tighten until shoulder is flush with panel. Do not overtighten or undertighten (see example below)

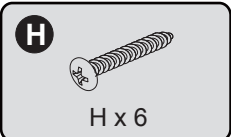
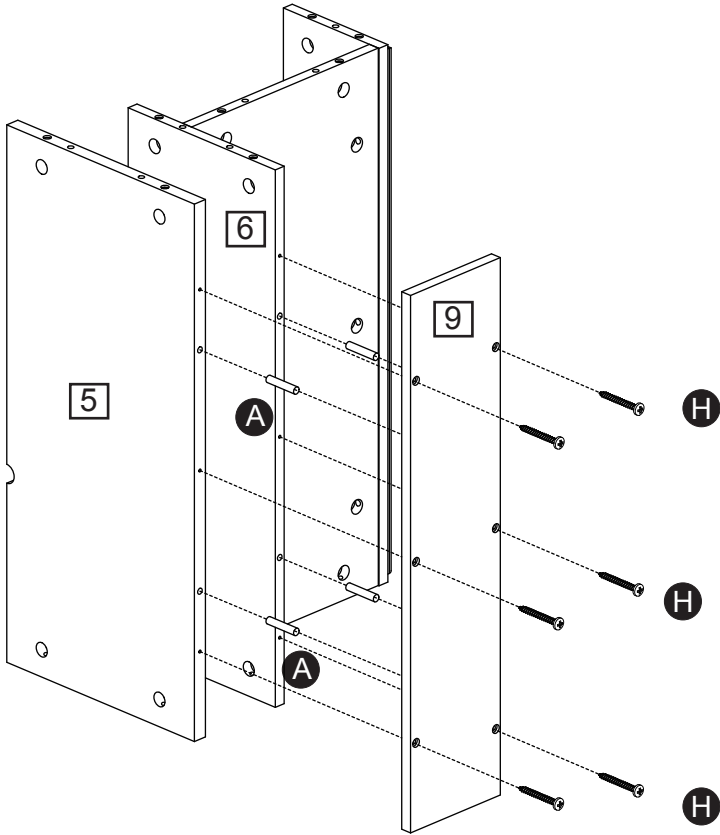


Step 6

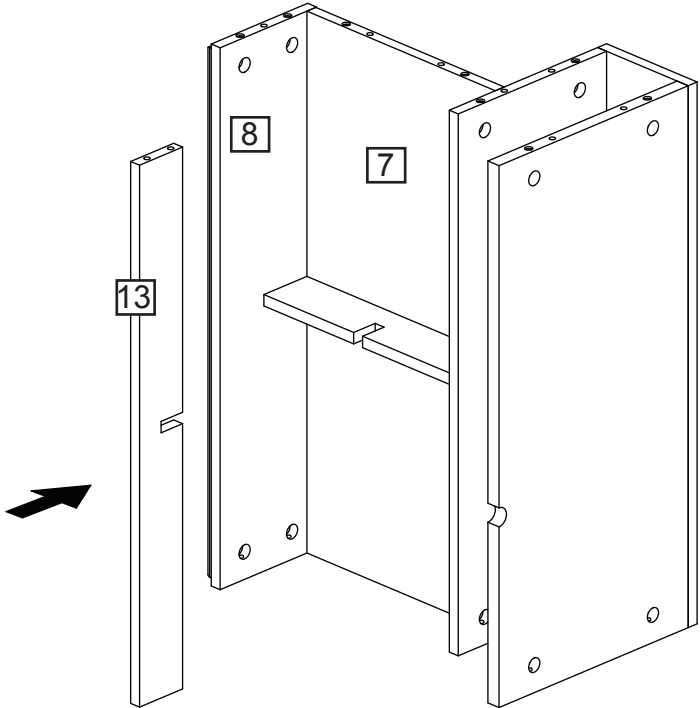


Assembly Instructions

Step 7

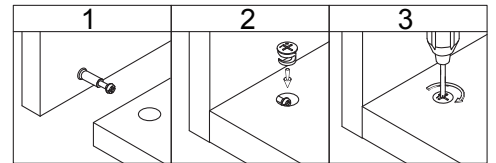
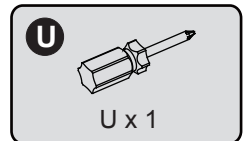
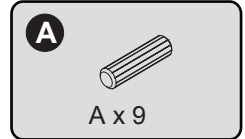
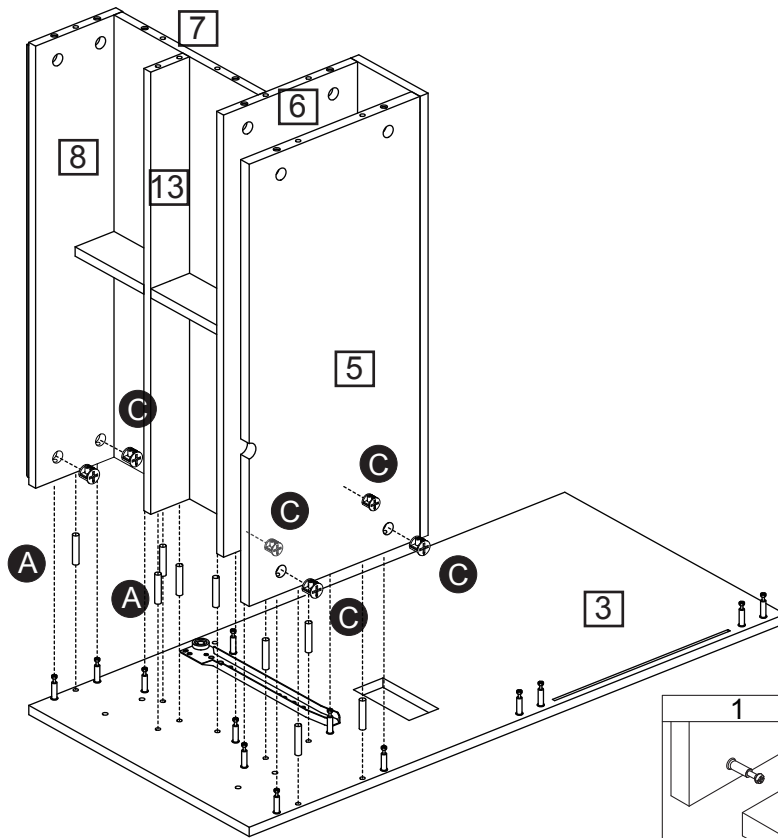


Step 8

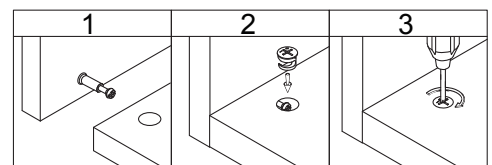
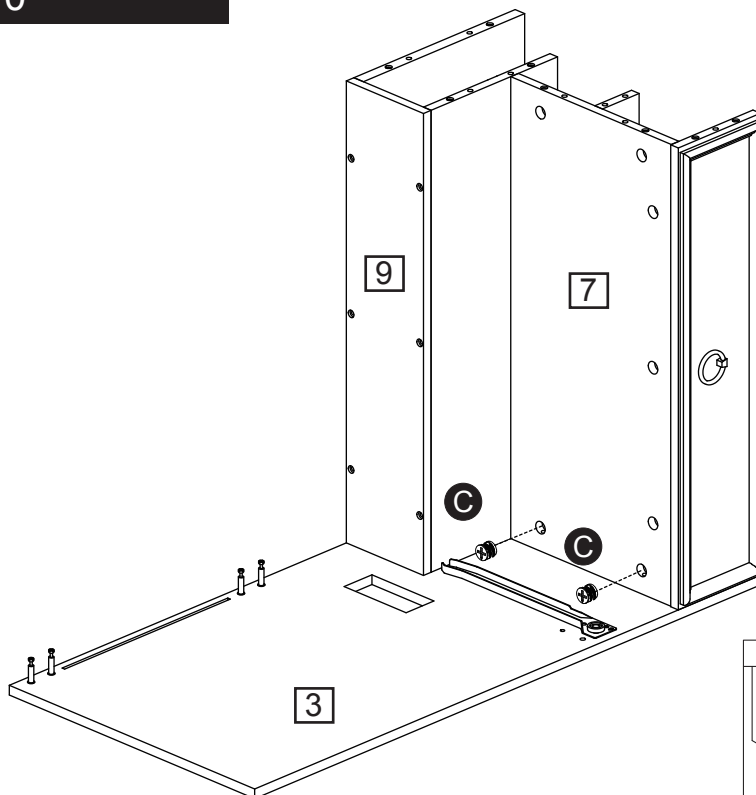


Assembly Instructions

Step 9

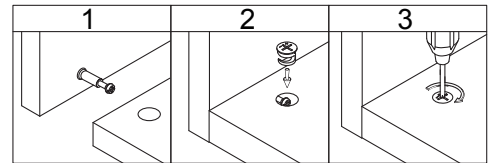
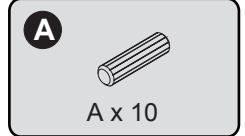
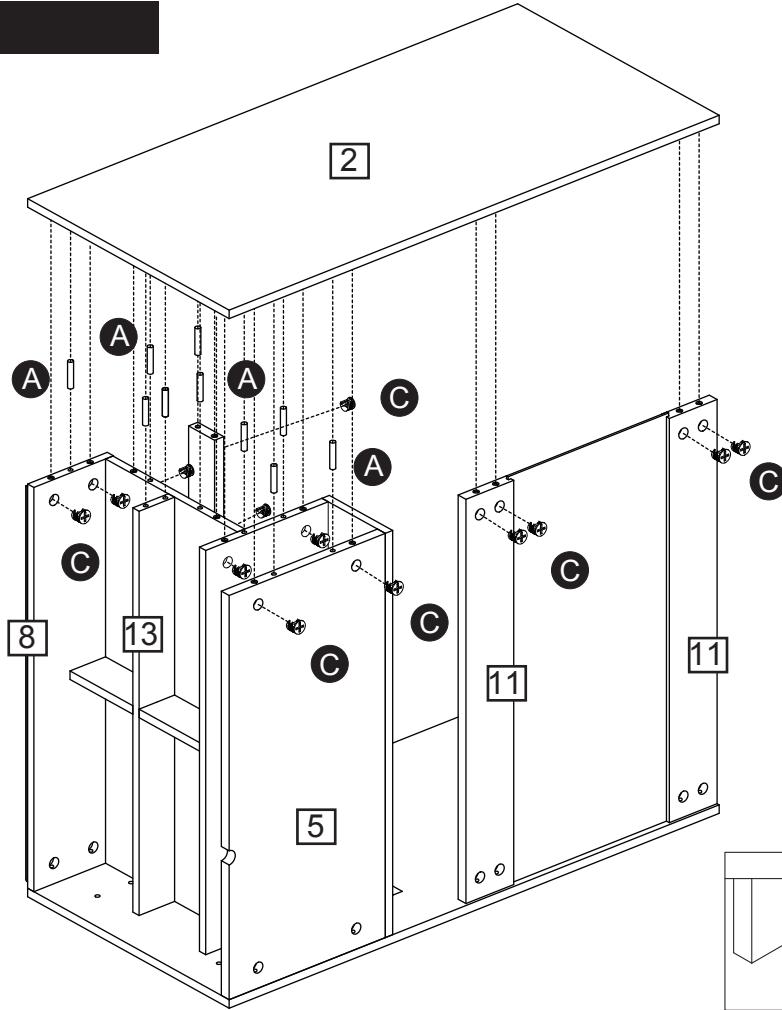


Step 10

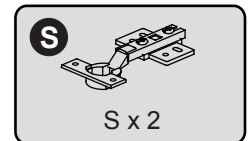
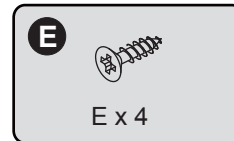
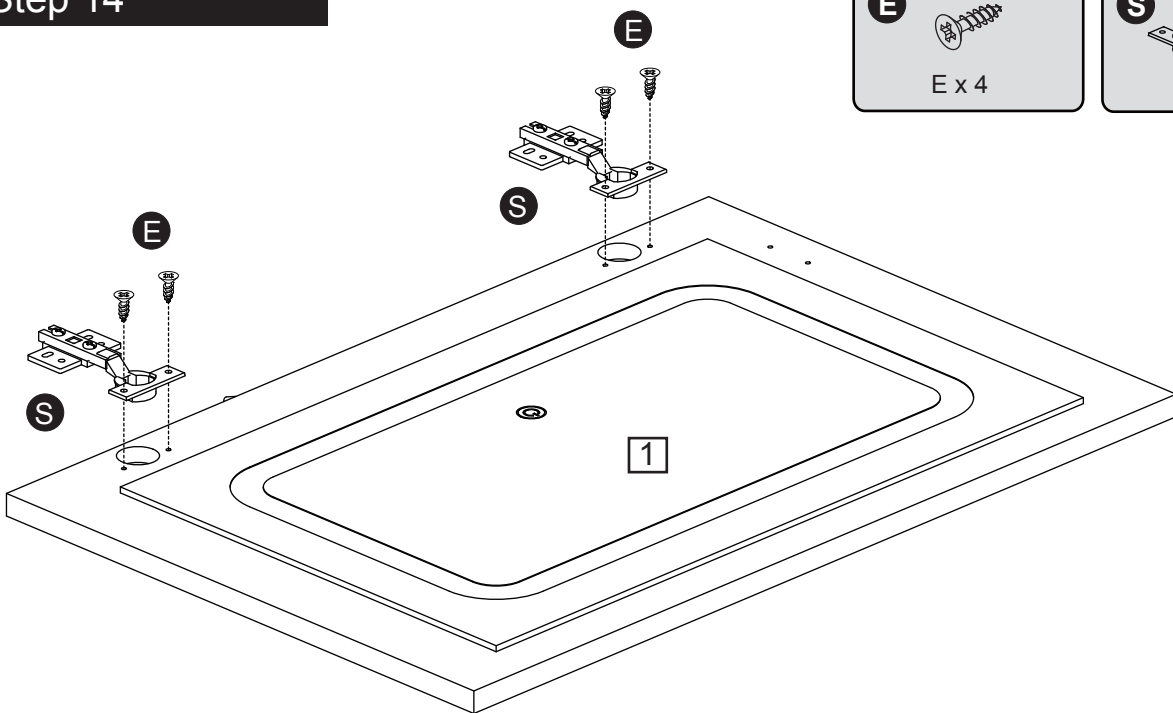


Assembly Instructions

Step 13

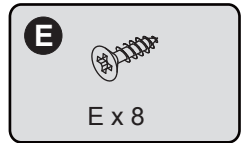
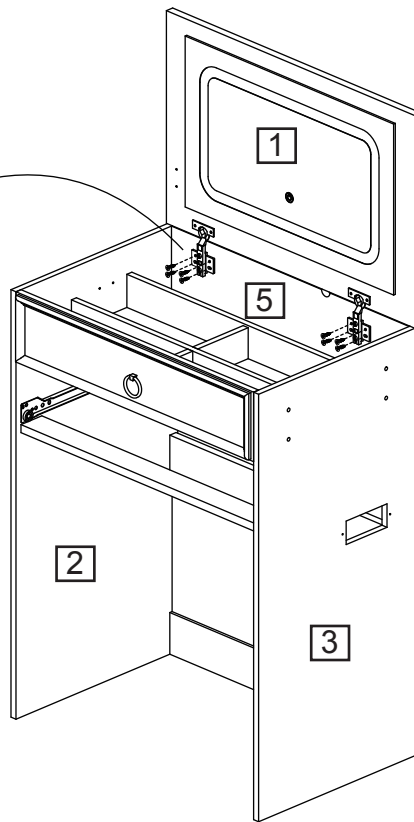
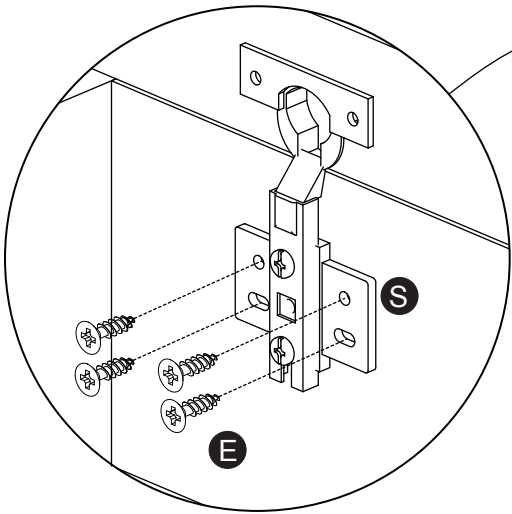


Step 14

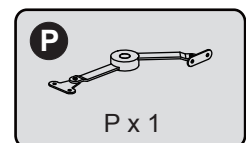
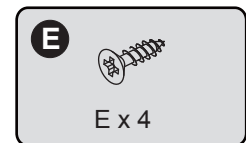
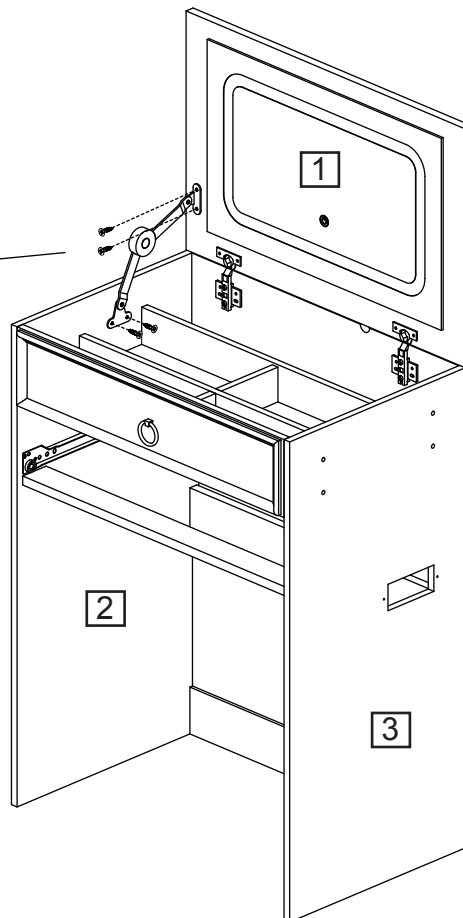
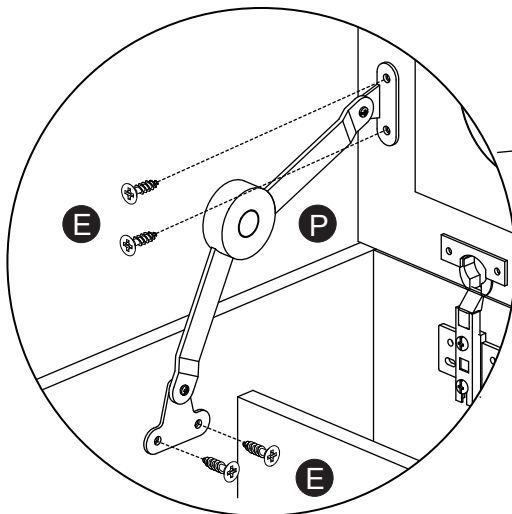


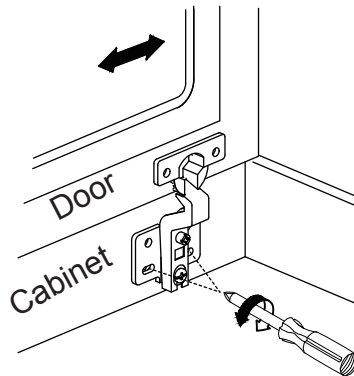
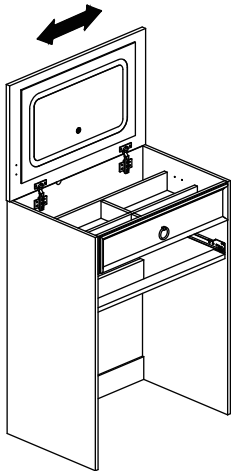
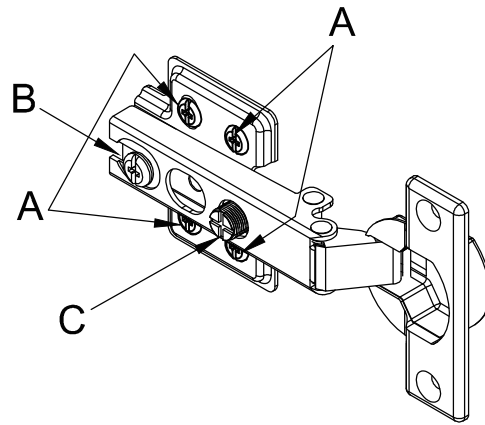
Assembly Instructions

Step 15



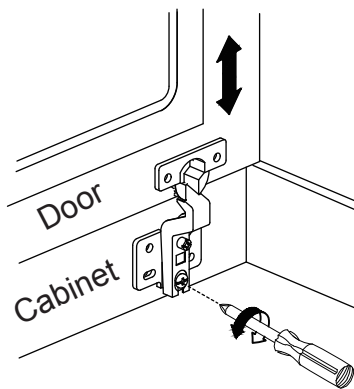
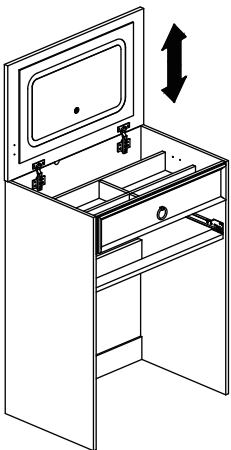
Step 16





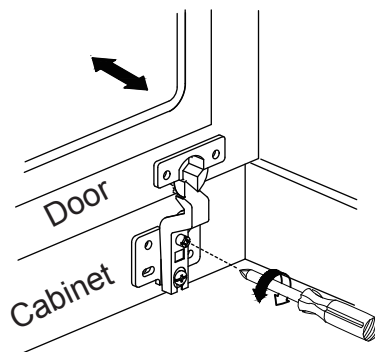
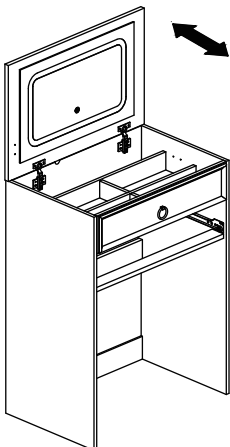
To adjust side ways.

Loosen the four screws "A" on both hinges. Two of them are usually in slotted holes which allows you to adjust left or right by a few mm. Then tighten back up.



To adjust the vertical height.

Loosen screw "B" and adjust door, if the door can not be adjusted, please loosen screw "C", then try again. Tighten screw "B" and "C".

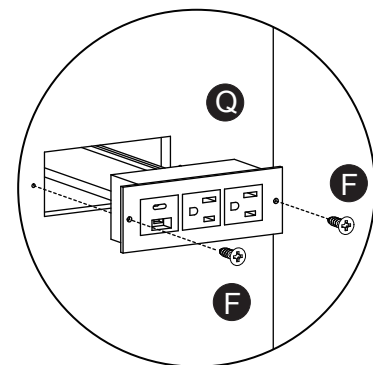
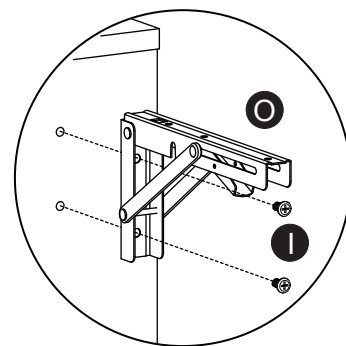
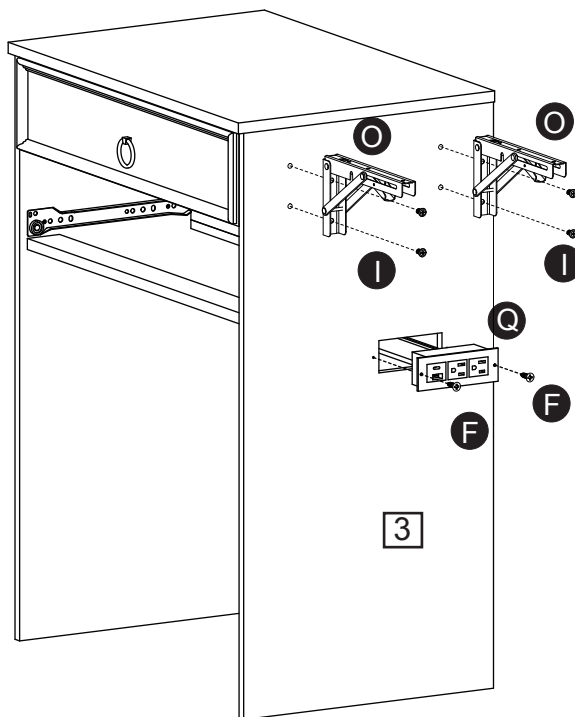
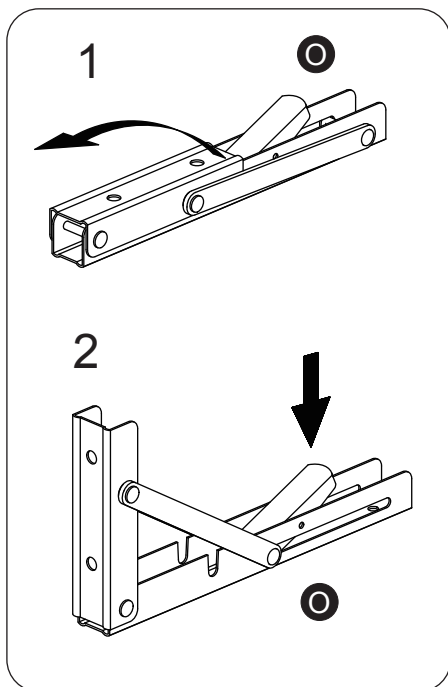
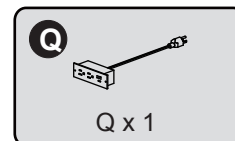
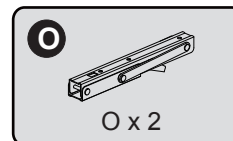
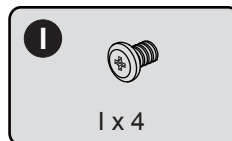
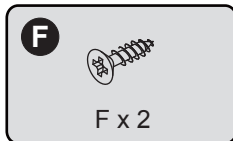


To adjust depth.

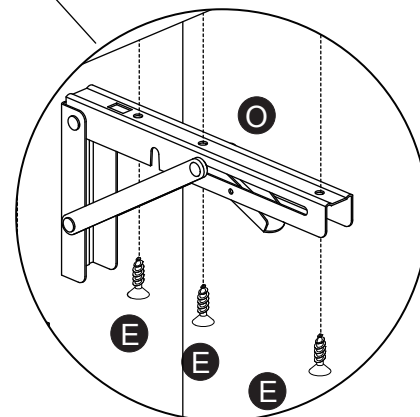
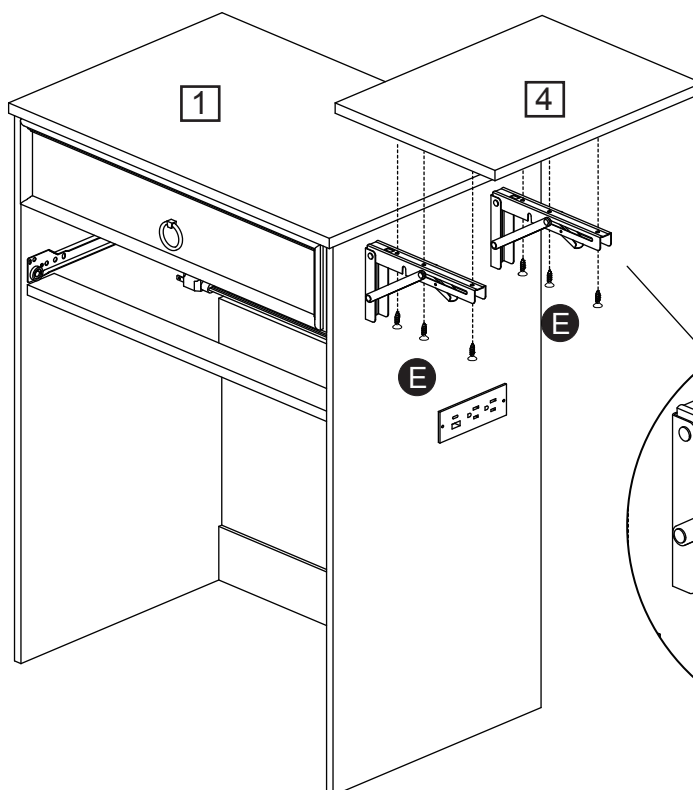
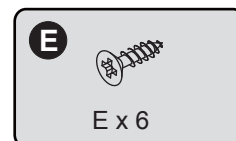
Turning the screw "C" on BOTH hinges on each door.

Assembly Instructions

Step 17

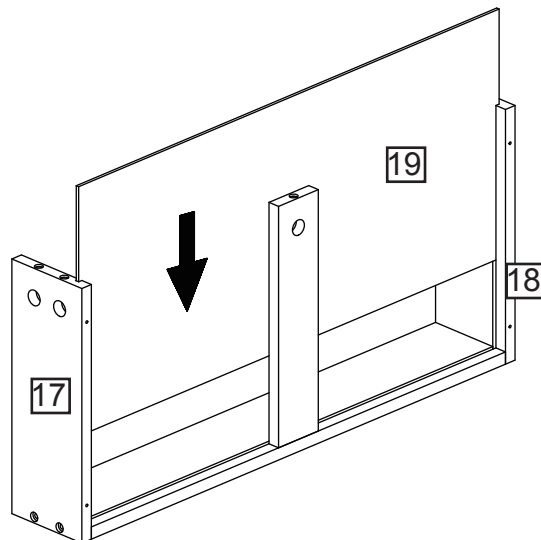
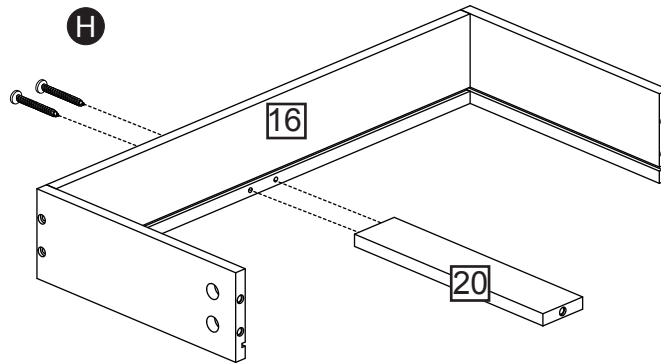
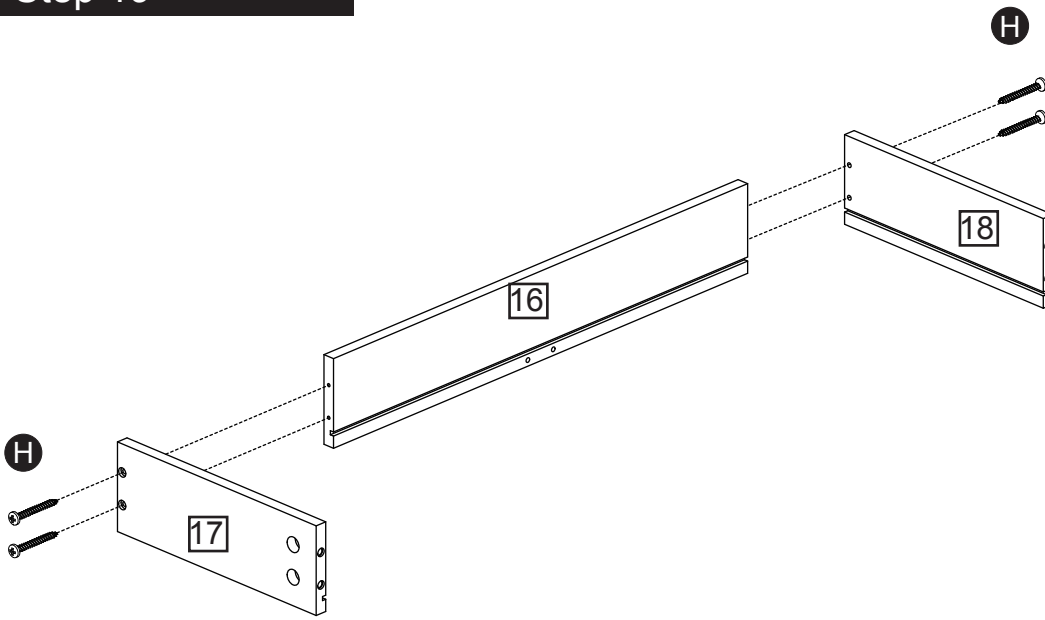
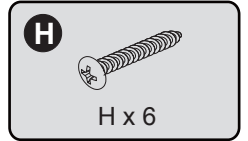


Step 18



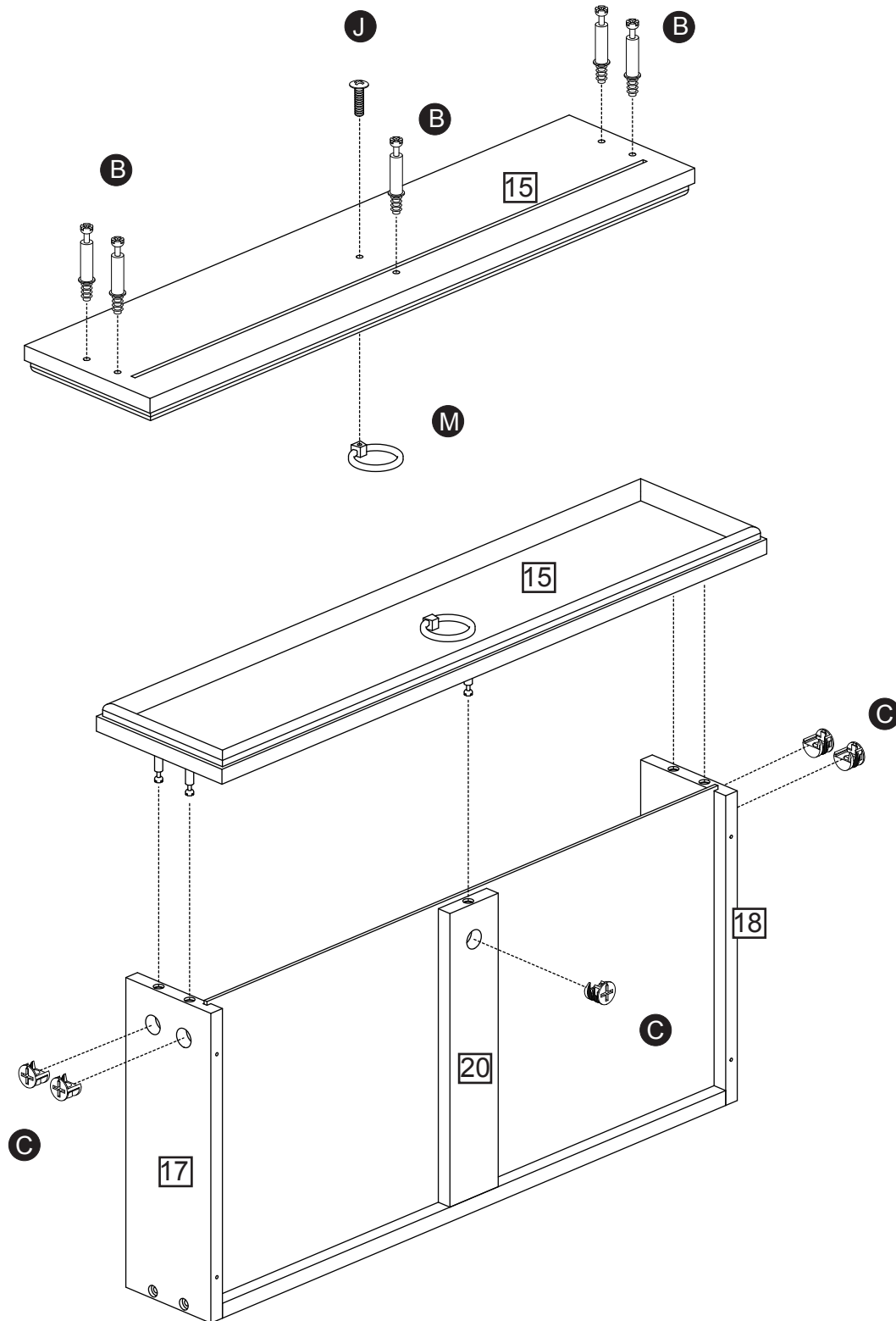
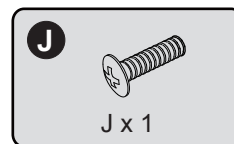
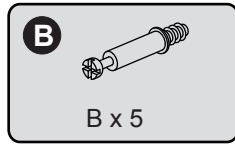
Assembly Instructions

Step 19



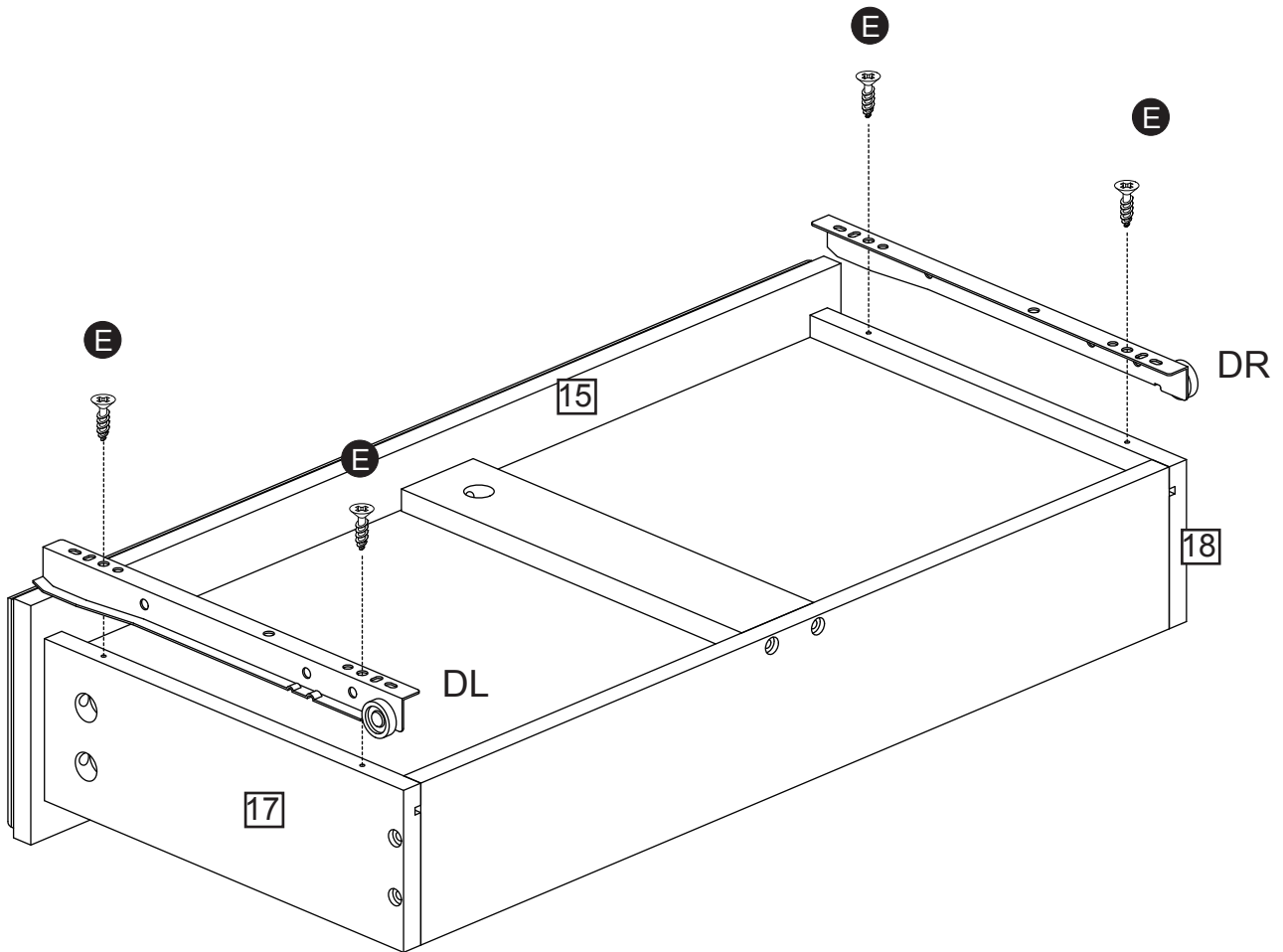
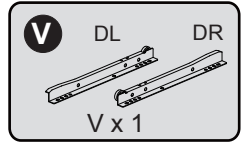
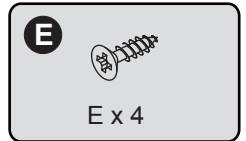
Assembly Instructions

Step 20



Assembly Instructions

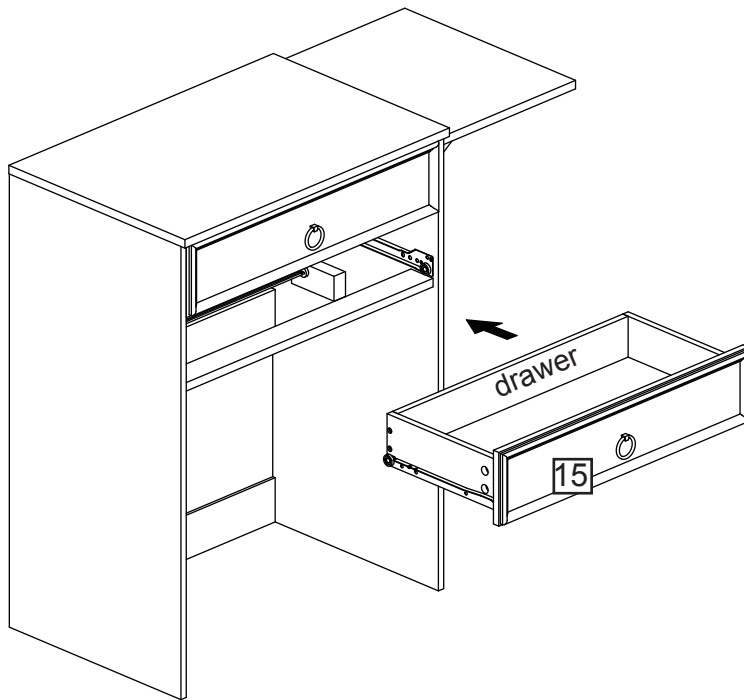
Step 21



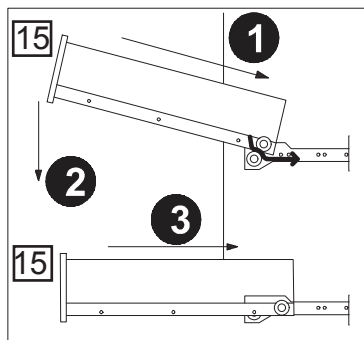
Assembly Instructions

Step 22

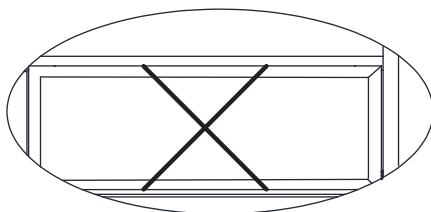
Congratulation! You've made to the last step! But don't be too thrilled yet, put on the drawer can be frustrating if you do it wrong. So, take your time and follow the steps below.



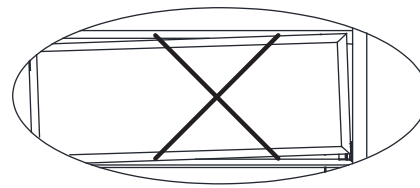
1. Please ensure that you have matched the wheels on BOTH sides of the drawer with the wheels on rails installed BEFORE push in the drawer.



2. If the following occurs, redo the first **two** step.



(both wheel are off the rails)



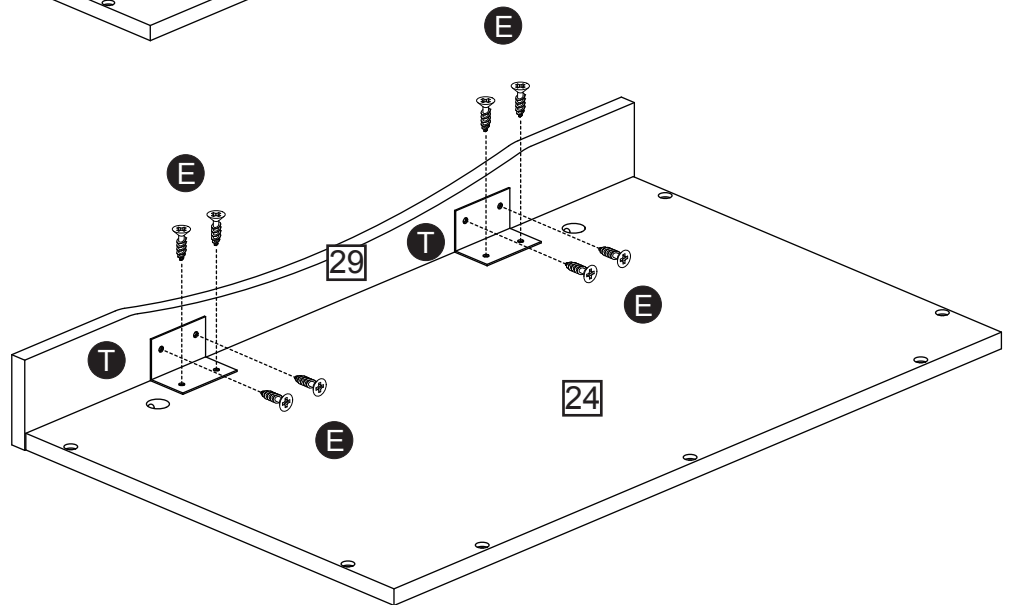
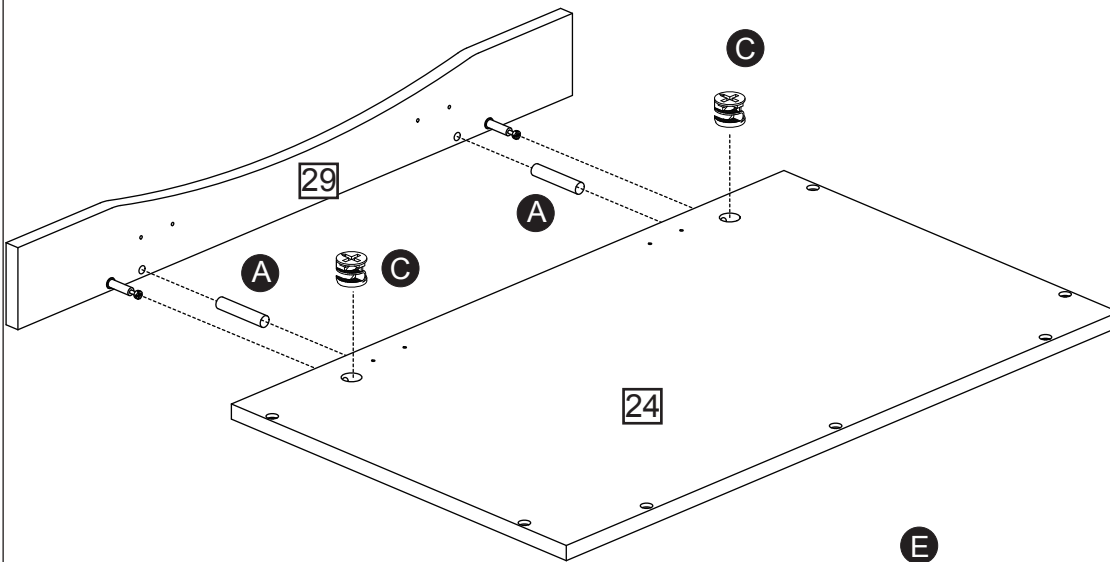
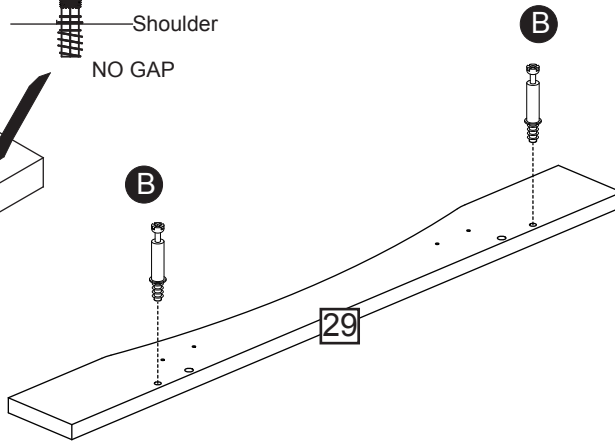
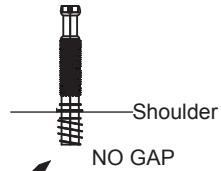
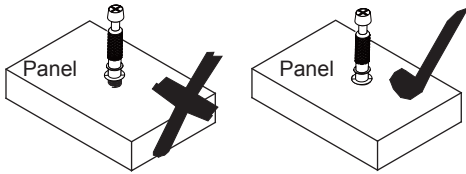
(one wheel is off the rail)

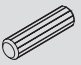
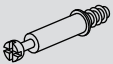

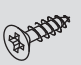
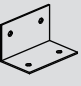
Assembly Instructions

Step 23

CAM-LOCK

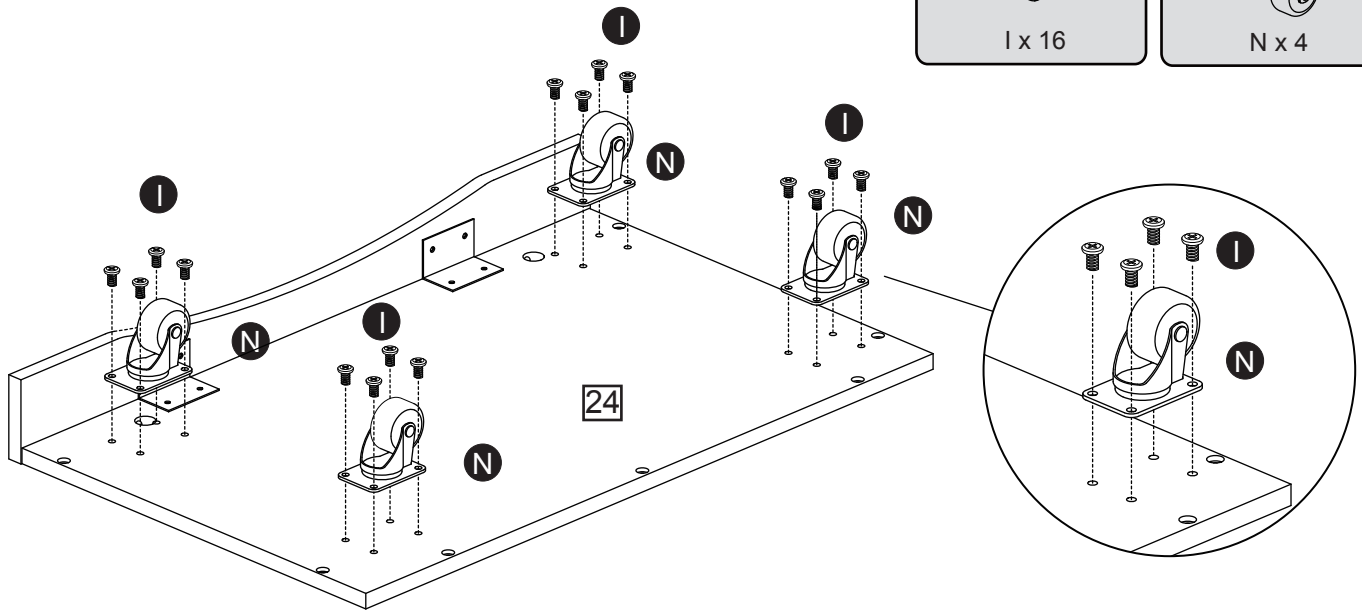
Tighten until shoulder is flush with panel. Do not overtighten or undertighten (see example below)



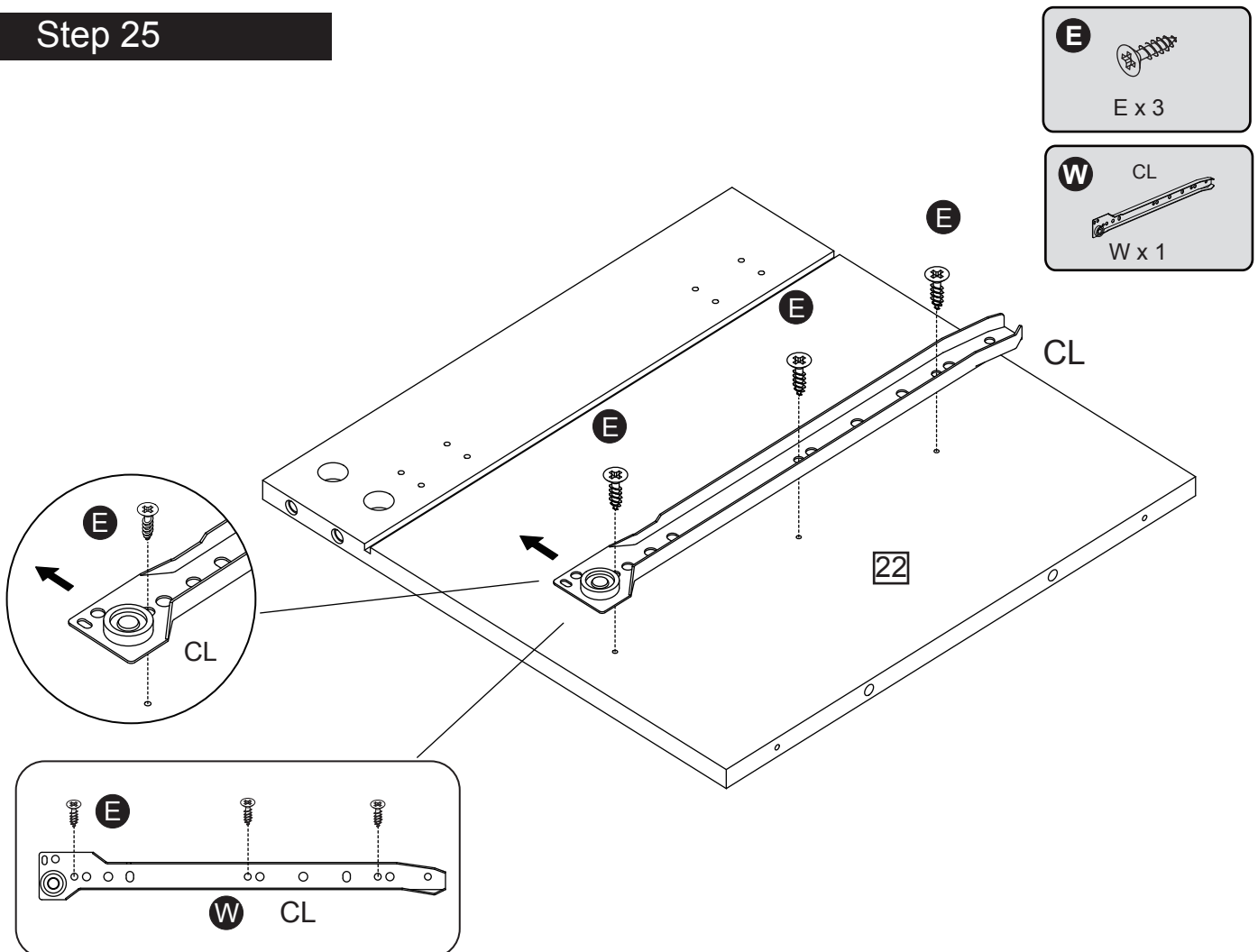
- A** 
A x 2
- B** 
B x 2
- C** 
C x 2
- E** 
E x 8
- T** 
T x 2

Assembly Instructions

Step 24

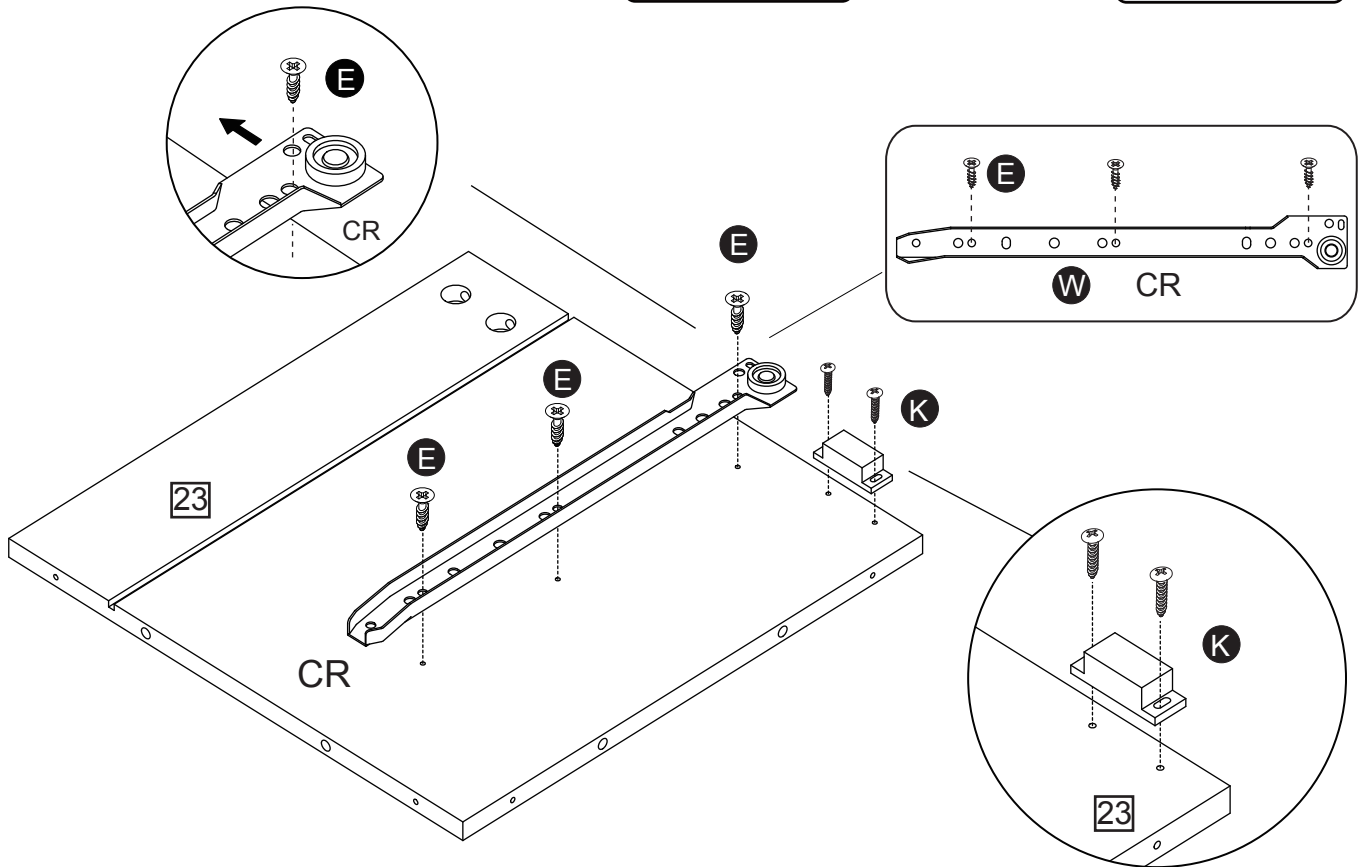
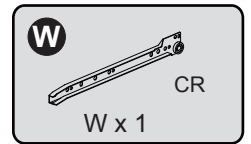
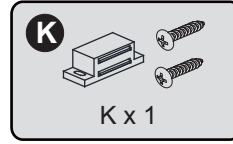
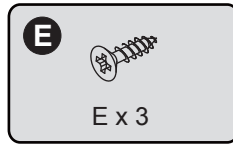


Step 25

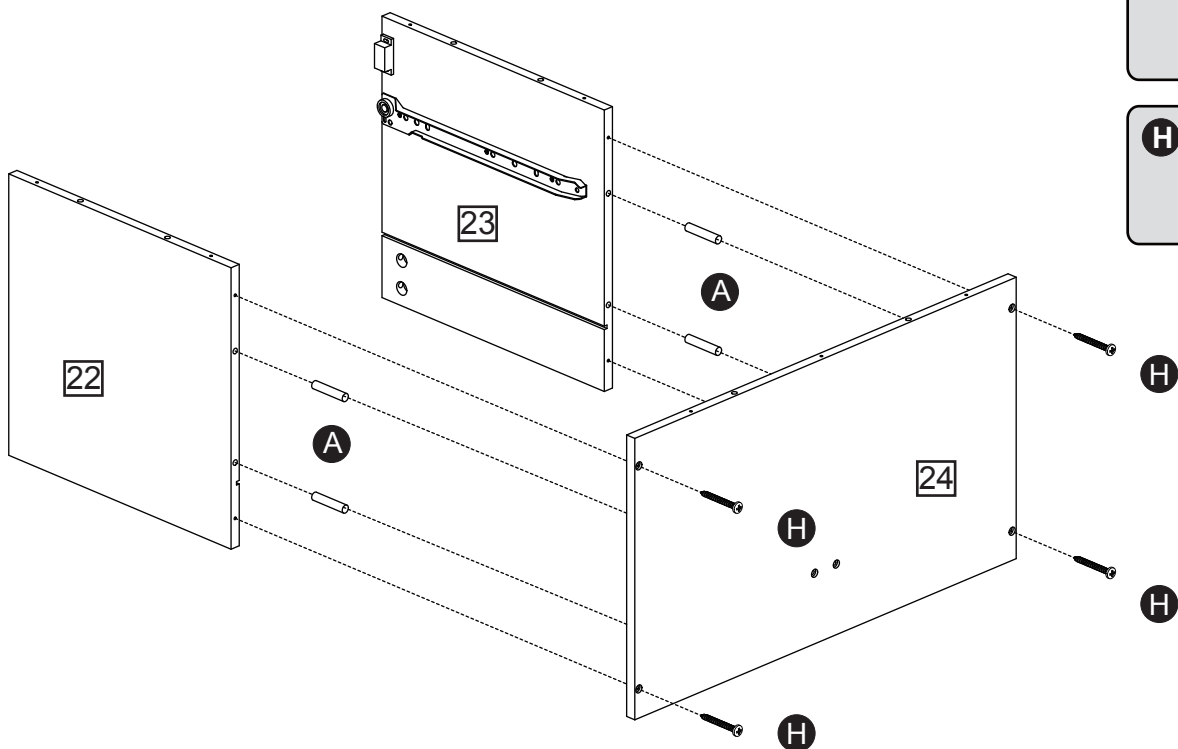
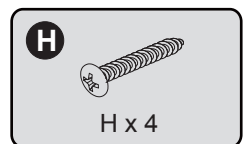
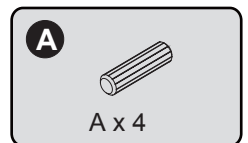


Assembly Instructions

Step 26

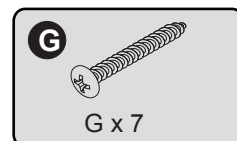
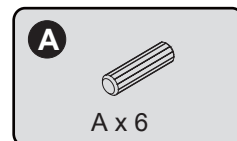
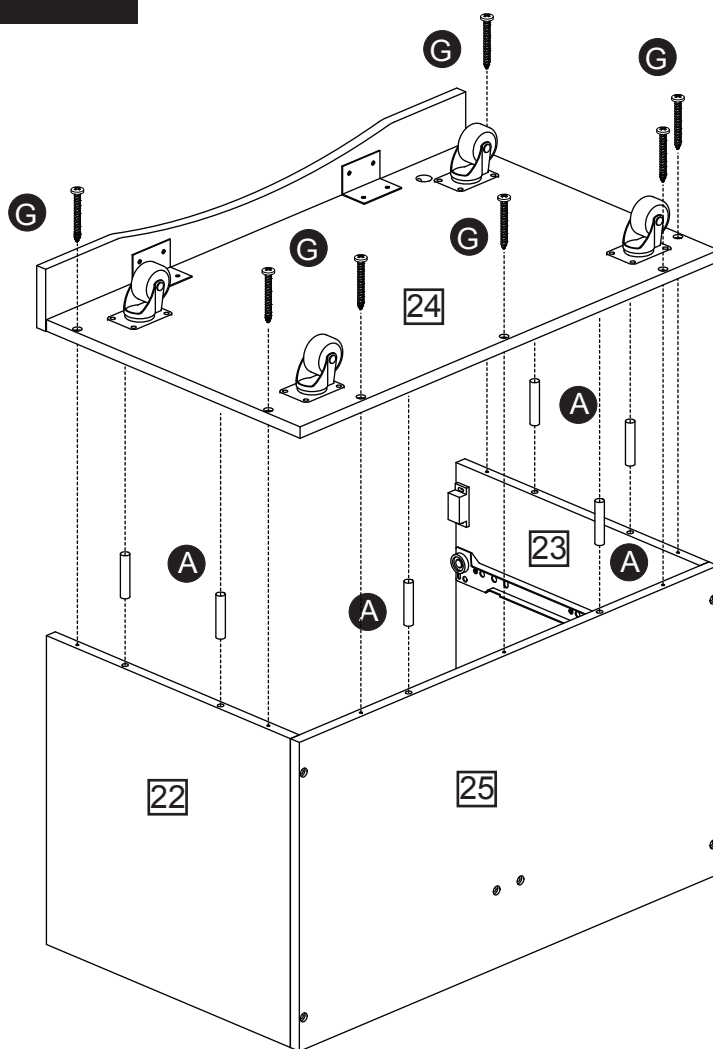


Step 27

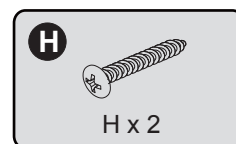
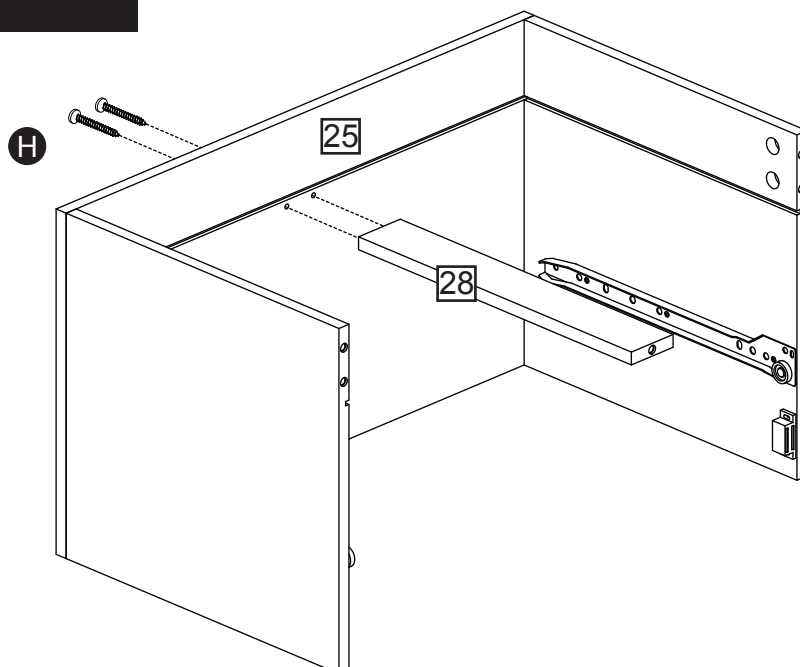


Assembly Instructions

Step 28

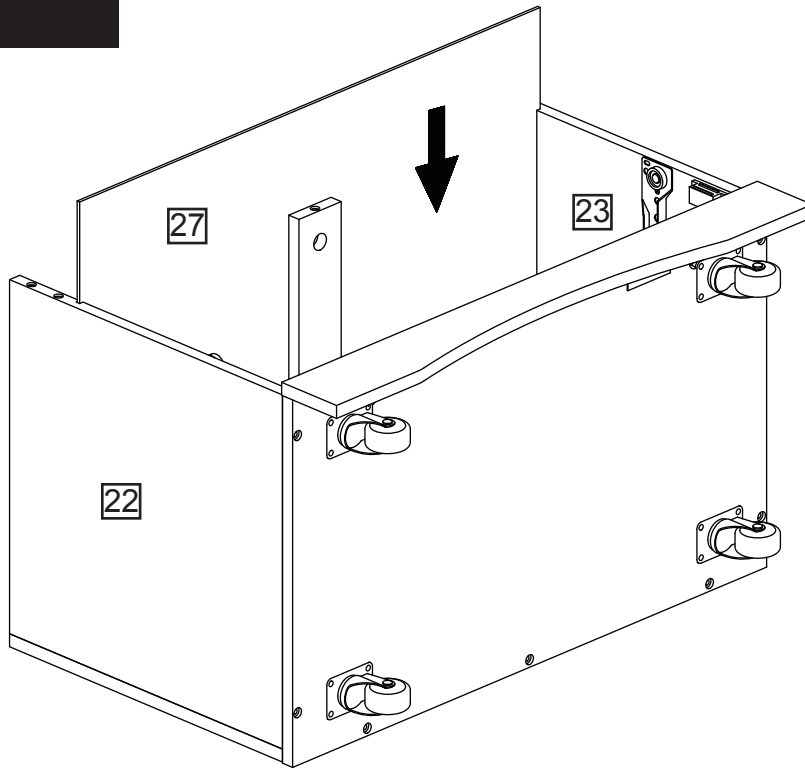


Step 29



Assembly Instructions

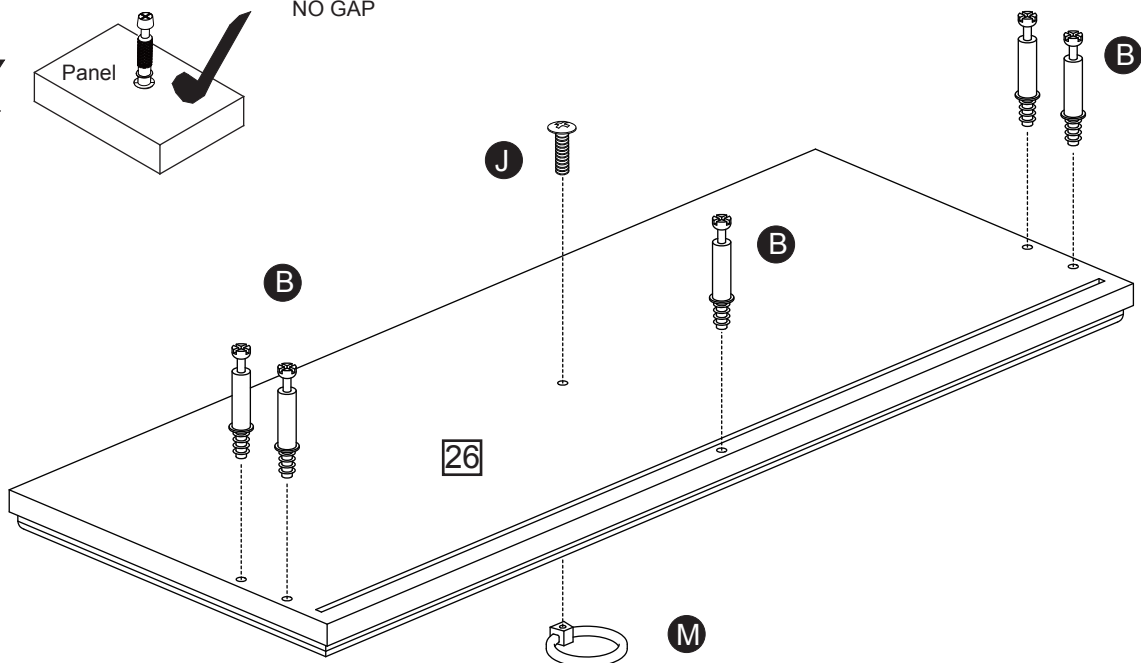
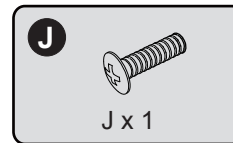
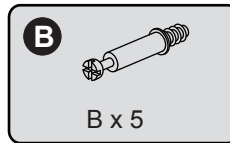
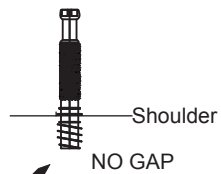
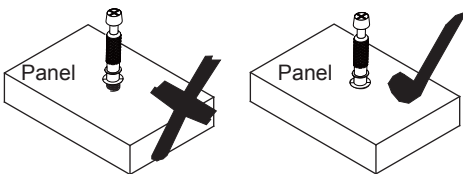
Step 30



Step 31

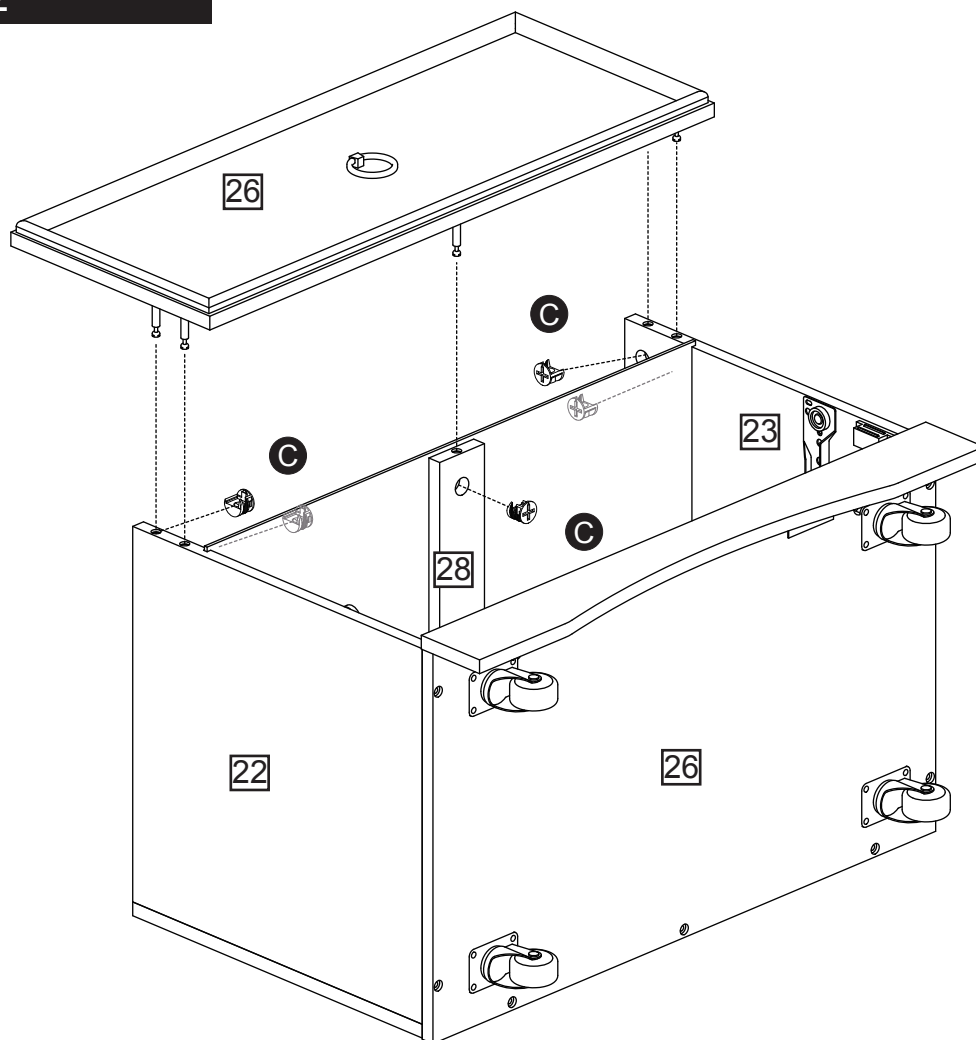
CAM-LOCK

Tighten until shoulder is flush with panel. Do not overtighten or undertighten (see example below)



Assembly Instructions

Step 32

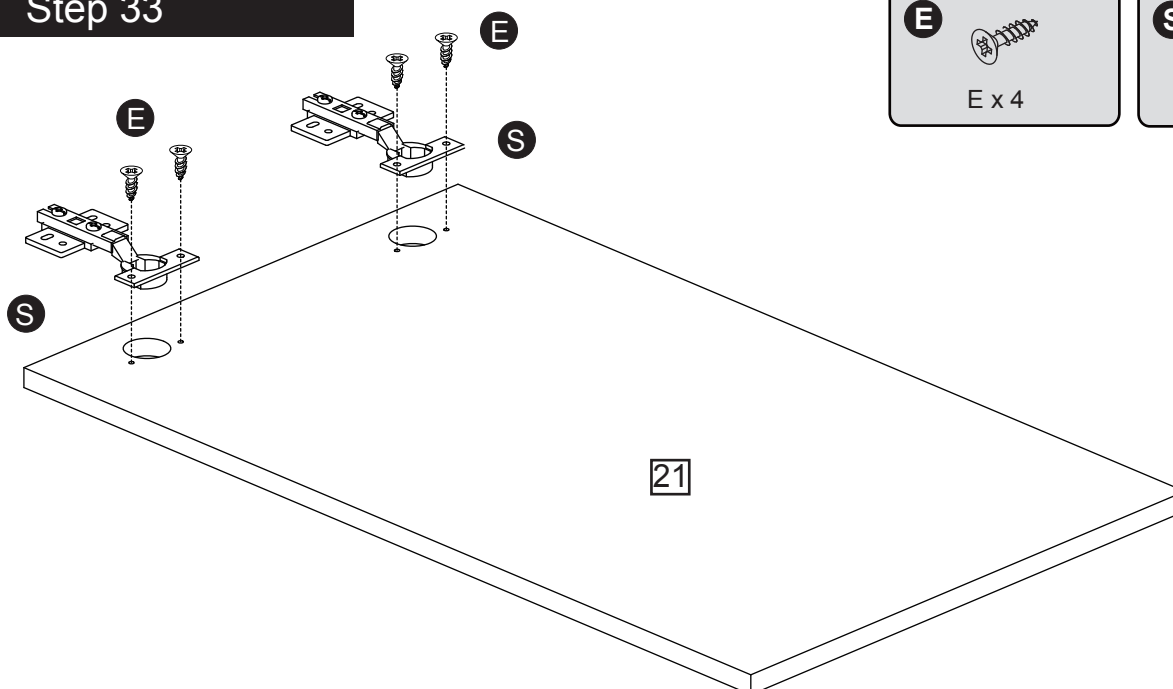


C



C x 5

Step 33



E



E x 4

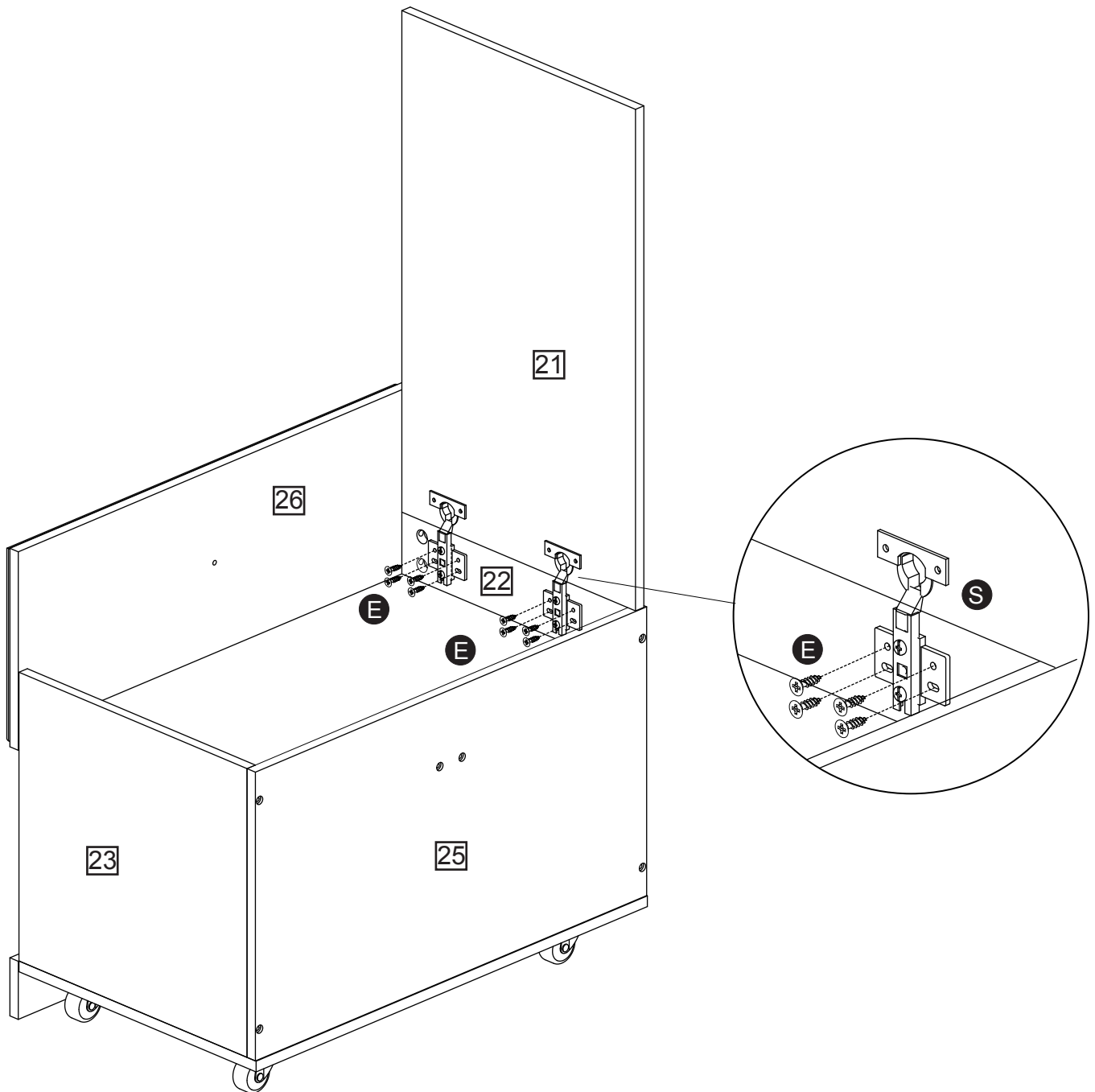
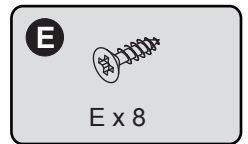
S

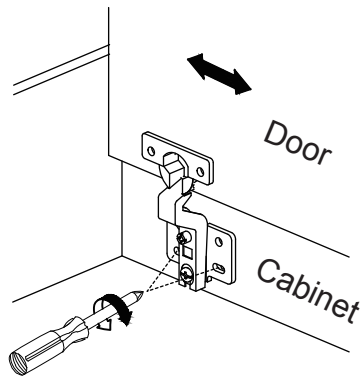
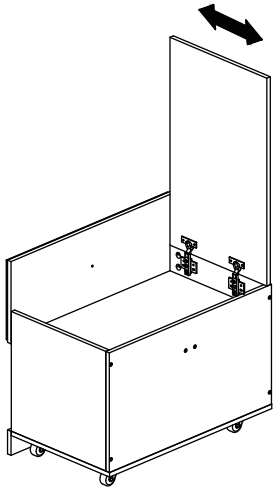
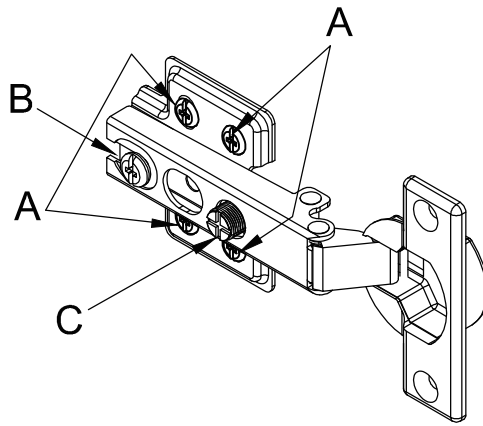


S x 2

Assembly Instructions

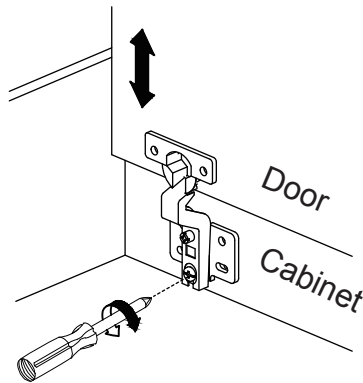
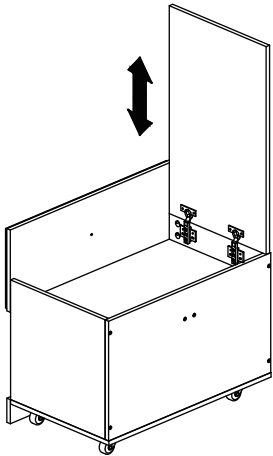
Step 34





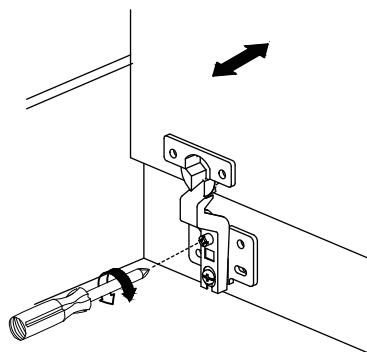
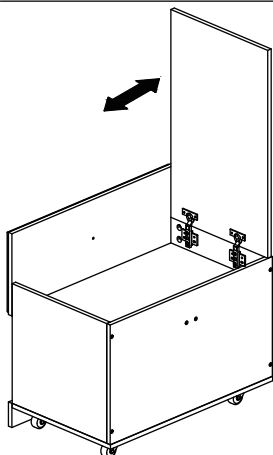
To adjust side ways.

Loosen the four screws "A" on both hinges. Two of them are usually in slotted holes which allows you to adjust left or right by a few mm. Then tighten back up.



To adjust the vertical height.

Loosen screw "B" and adjust door, if the door can not be adjusted, please loosen screw "C", then try again. Tighten screw "B" and "C".

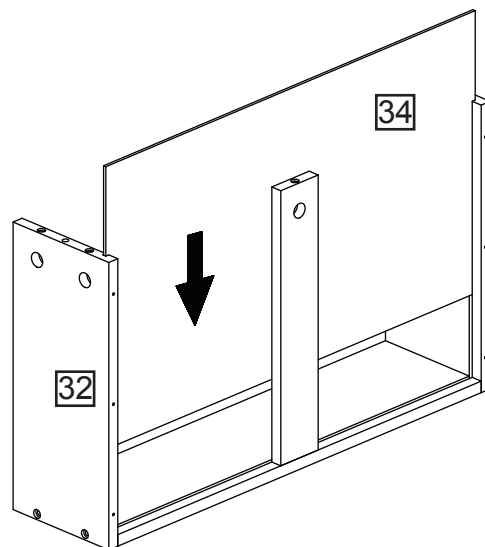
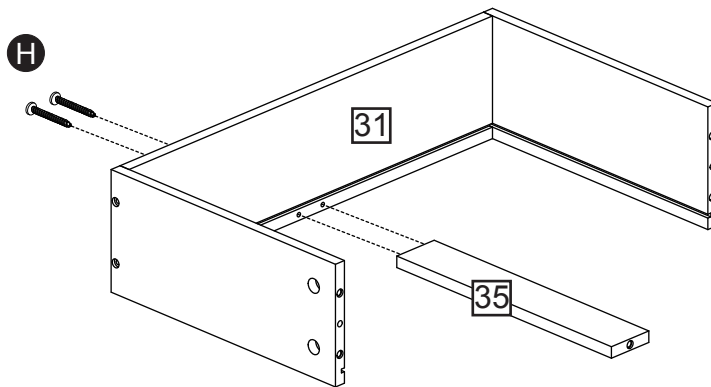
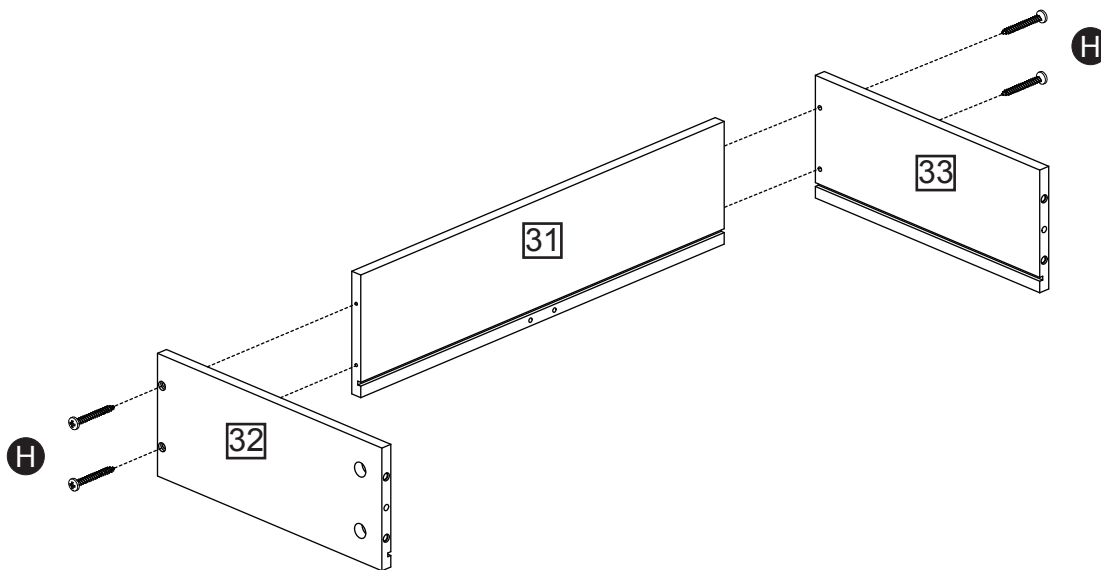
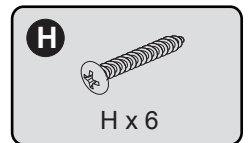


To adjust depth.

Turning the screw "C" on BOTH hinges on each door.

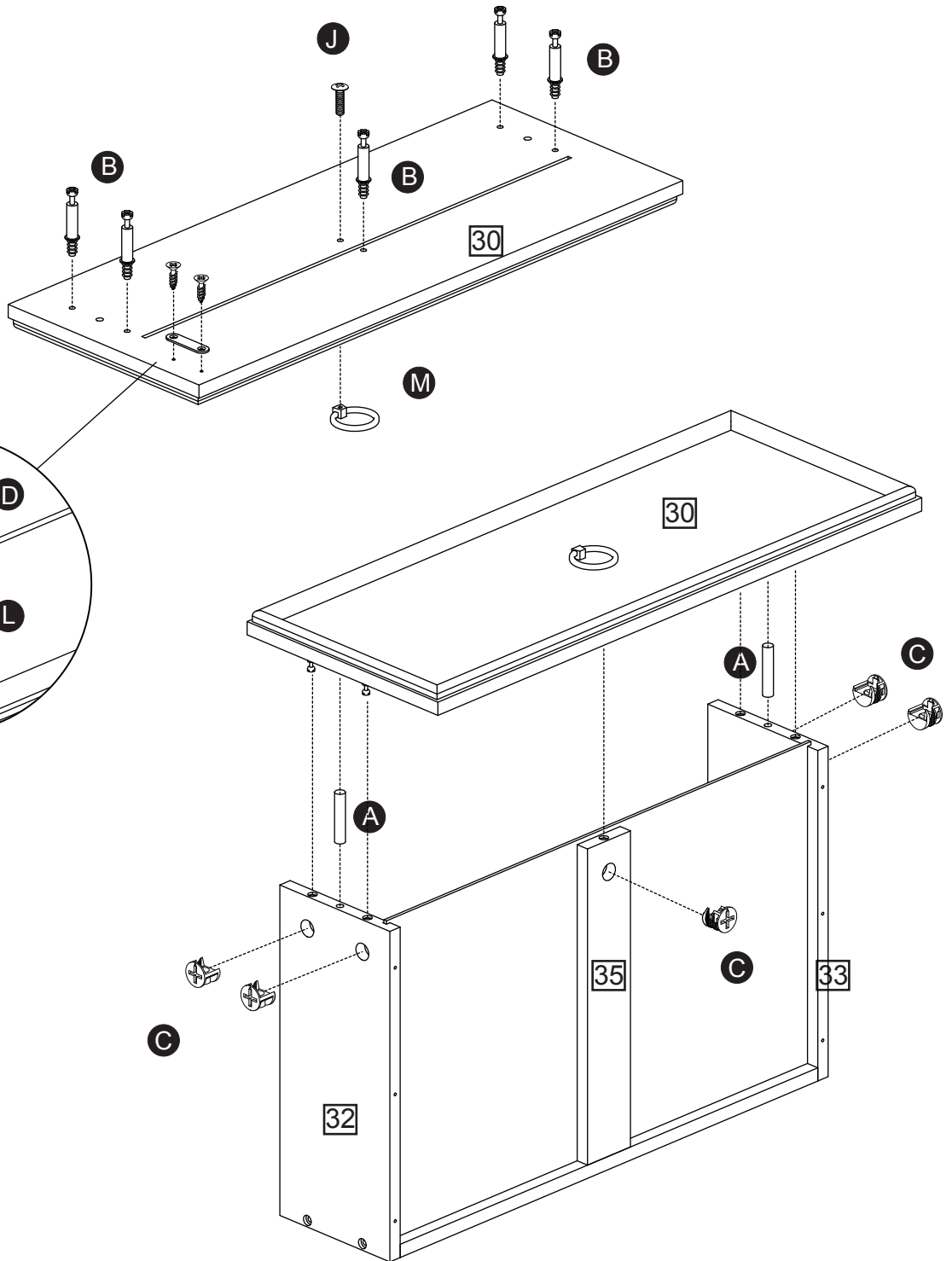
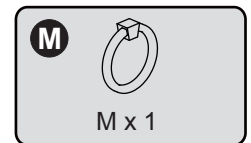
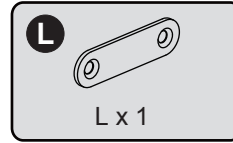
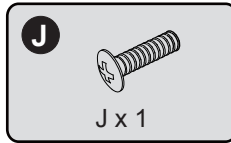
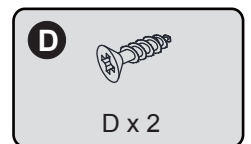
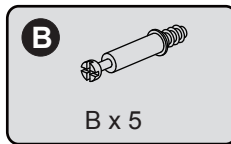
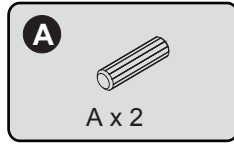
Assembly Instructions

Step 35



Assembly Instructions

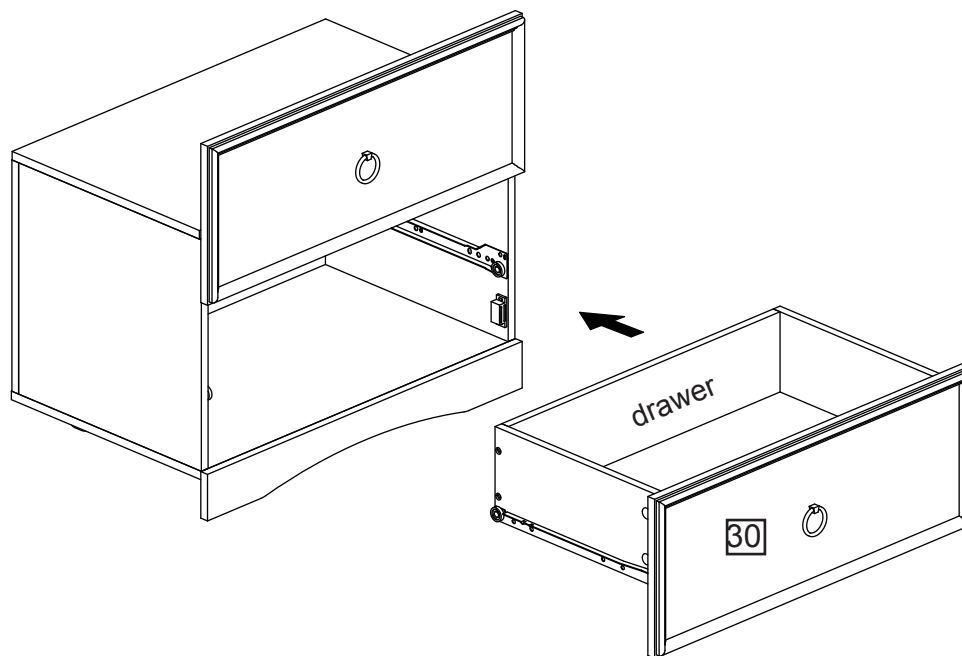
Step 36



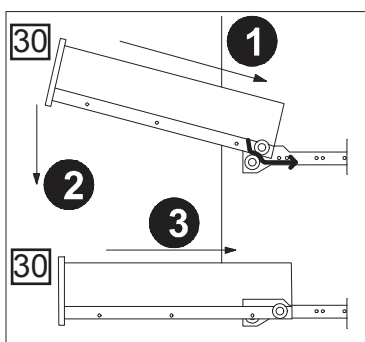
Assembly Instructions

Step 38

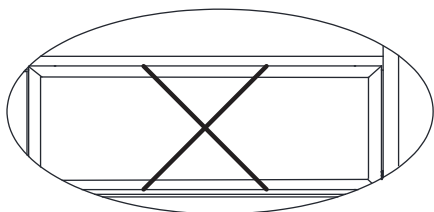
Congratulation! You've made to the last step! But don't be too thrilled yet, put on the drawer can be frustrating if you do it wrong. So, take your time and follow the steps below.



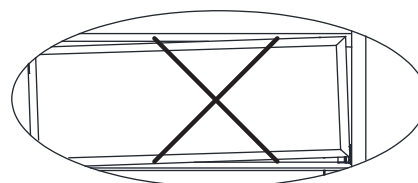
1. Please ensure that you have matched the wheels on **BOTH** sides of the drawer with the wheels on rails installed **BEFORE** push in the drawer.



2. If the following occurs, redo the first **two** step.



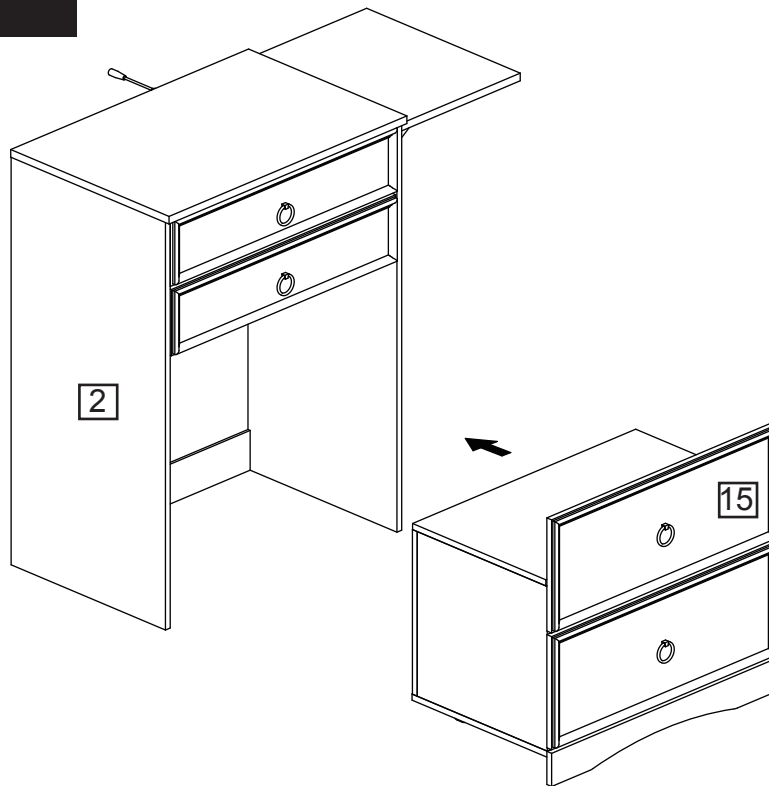
(both wheel are off the rails)



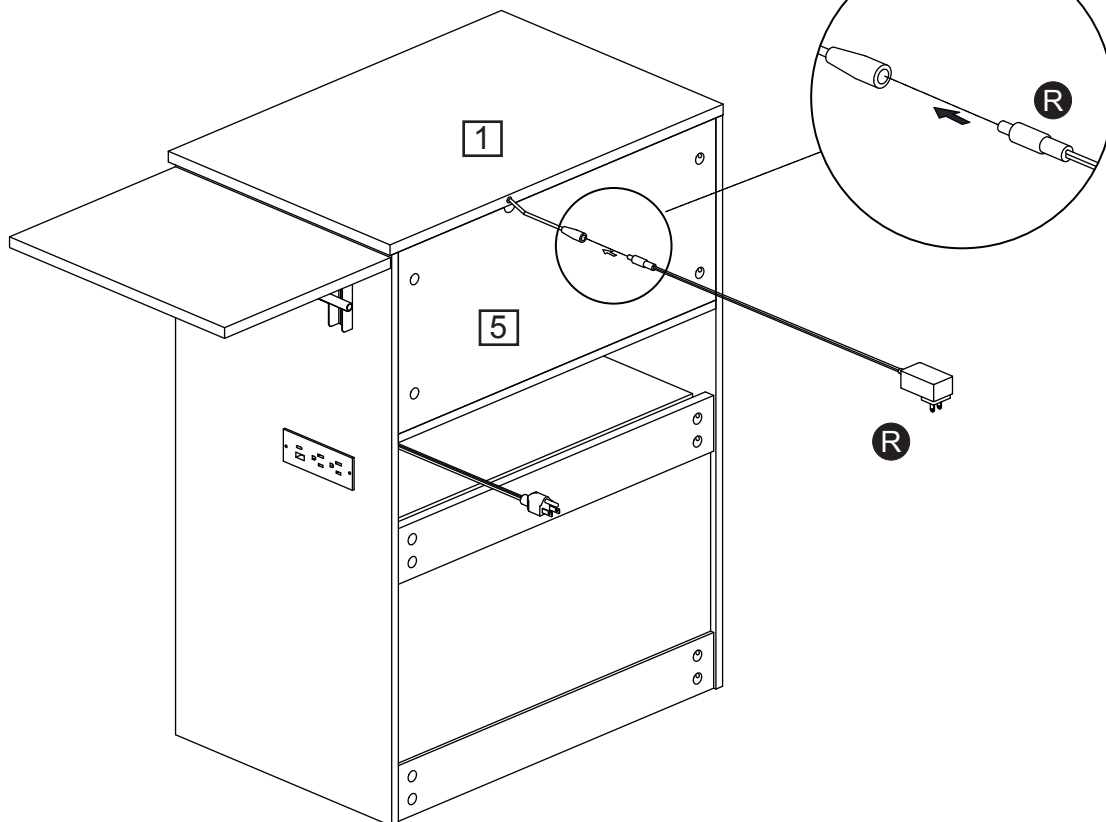
(one wheel is off the rail)

Assembly Instructions

Step 39



Step 40



Assembly Instructions

Step 41

