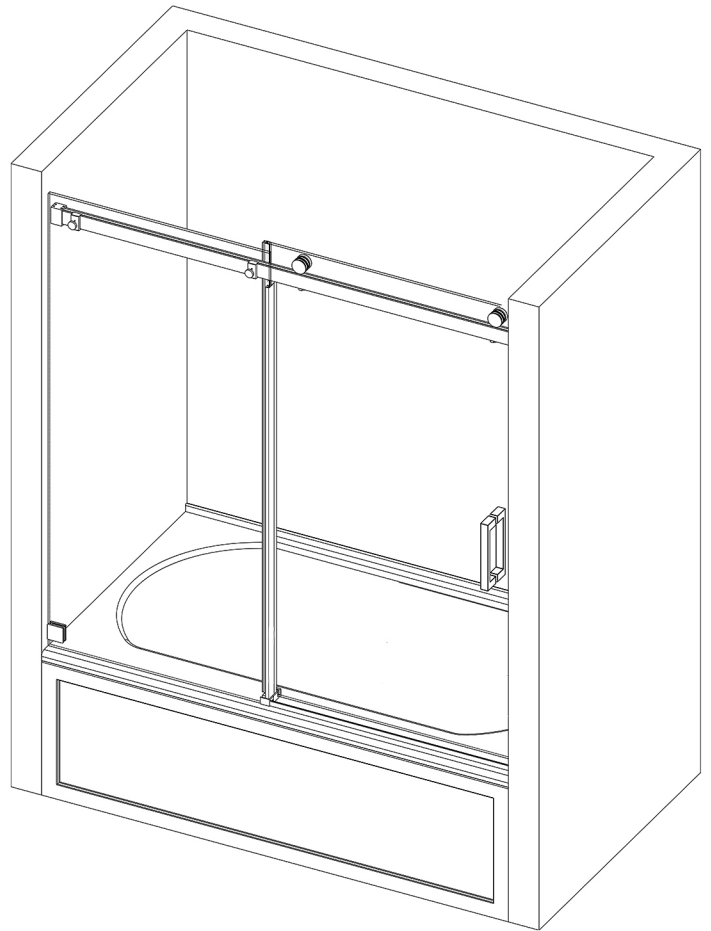
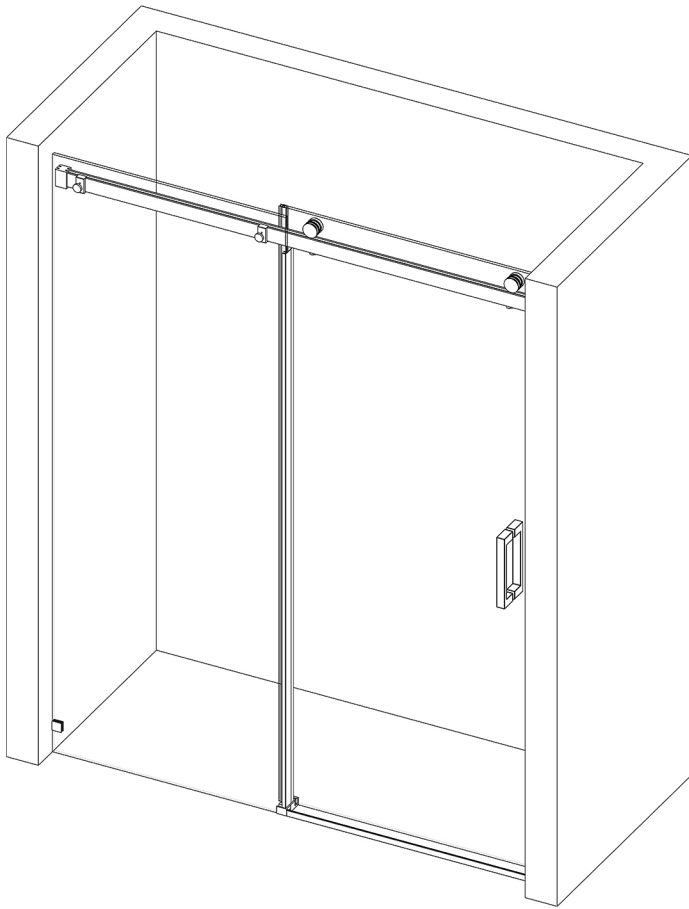




Shower / Tub Door Installation Instructions



MODEL:

SS13

FINISH:

CH-CHROME

BR-BRUSHED NICKEL

BL-MATTE BLACK

Please review this manual before installation.

Questions/Tech Support:

manager10@mcocod.com

Daily Online

470-926-8618

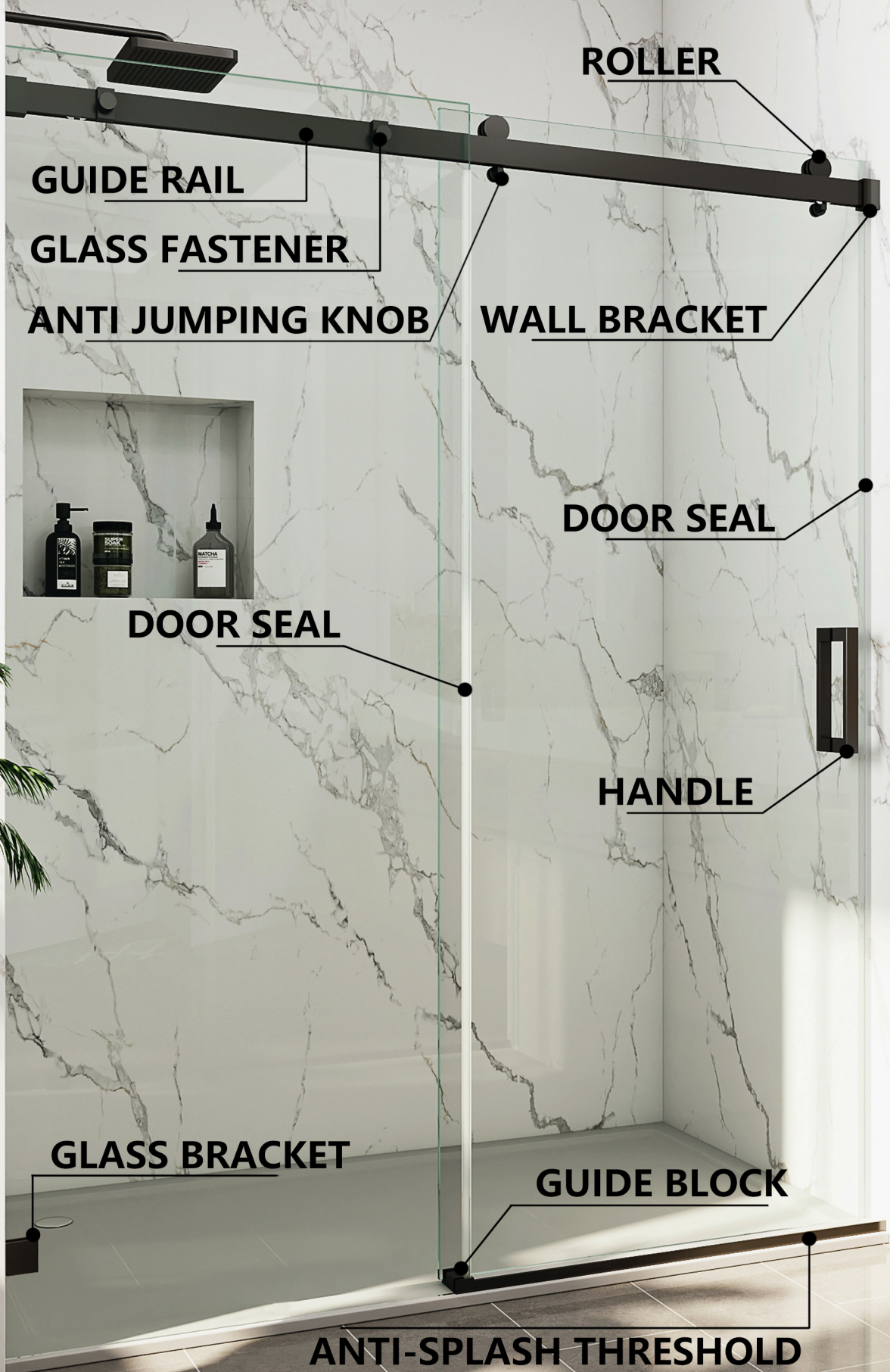
321-946-6293

M-F 8:30 AM-5:30 PM PST.

CATALOG




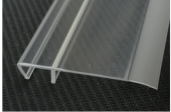













- 1 Product Structure Show
- 2 Parts Listing and Detail
- 5 Preparation
- 7 Tools Required
- 8 Installation Steps
- 15 Inspection and Maintenance
- 16 Troubleshooting Guide
- 18 Glass Info and Customer Service

SS13



PARTS LISTING

SS13

NO.	Name	Picture	Qty	NO.	Name	Picture	Qty
①	1 Slide Glass 1 Fixed Glass		2	⑩	Glass Bracket		1
②	Guide Rail		1	⑪	Wide Seal		1
③	Roller		2	⑫	Narrow Seal		2
④	Anti-jumping Knob		2	⑬	Anti-splash Threshold		1
⑤	Wall Bracket		2	⑭	8mmWall Plug		5
⑥	Soft-close		2	⑮	Screw ST5x40		5
⑦	Glass Fastener		2	⑯	Screw ST5x40		1
⑧	Guide Block		1	⑰	Punch Template		1
⑨	Handle		1	⑱	Allen Key		1



Please keep this manual and product code number for future reference or get replacement part if necessary.

PARTS DETAIL



Aluminum punch template

(If missing or broken, please refer to page 8 for punch data.)



Wall Bracket



Glass Fastener



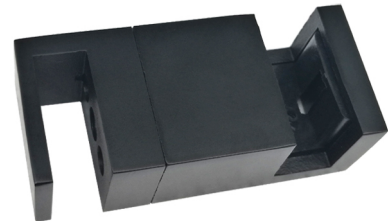
Decorative Cover



Roller



Handle



Guide Block



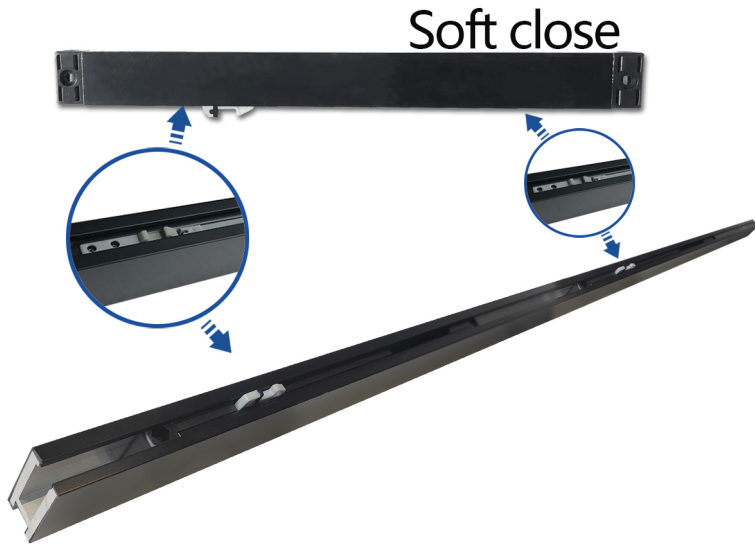
Anti Jumping Knob

Decorative Cover



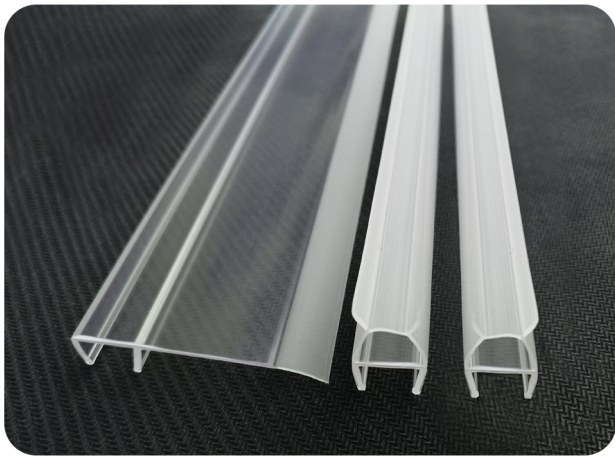
Glass Bracket

PARTS DETAIL



Soft close

Guide Rail



Door Seal



Glass



Anti-splash Threshold



Screw & Allen key

PREPARATION

- 1 Check all product parts for transport damage and check the qty of each part. If the unit is damaged, has surface defects, or missing parts, please contact our customer support dept. Please provide order number, recipient's name, or other proof of purchase to identify the original order.
- 2 Please Note! Please consult your local building regulations to check compliance. We are not responsible for your item's compliance with local building regulations.
- 3 All measurements and installation should do after the wall and shower base were completed. Make sure shower base/threshold is horizontal. Recommended licensed plumber installation.
- 4 Before installation, make sure that the surface of the wall is flat and strong enough to support the total weight of the unit. Make sure that neither side of the wall offset more than 1/4". Use level to verify that your walls are within 1/4" of plumb before proceeding. Irregularly level wall surfaces or too much offset would cause serious problems with the installation.
- 5 Protect all major surfaces of the product when installing and cutting. Do not place glass directly on the rough floor or leaning against the wall, place it on the cardboard or smooth plank before installing it. Do not remove the glass corner protections until installation is complete.
- 6 Note: No need to drill hole on the threshold to install this unit. Min. threshold requirement for installation is 2-1/2 in. then the guide block will protrude inward about 1/4 in. We recommended to purchase a finished shower base with threshold width of no less than 2-3/4 in. to match it.

PREPARATION

- 7 This instruction will use the installation of shower door as an example. The steps for installing tub door are the same. If you choose left opening installation, all hardware in mirror counterpart to right opening.
- 8 Understanding shower door construction and parts installation locations.(Please refer to page 1~4).
- 9 2 soft-closes have been pre-fixed into the guide rail, please adjust the fixed position of soft-closes before cutting to avoid damaging them.
- 10 Tile walls are best to replenish some glass glue at the tile seams to avoid leakage after the installation is completed.
- 11 Do not cut, polish, etc. to destroy the original appearance of the glass as this will void the warranty.
- 12 Heavy item! Handle carefully of the glass is required during installation, please do not step on the glass to avoid bumping. After removing the fixed panel corner protections, do not hit the glass corner.We recommend that two adults be involved in the installation.



NOTE: Please follow this instruction to install the item, non-compliance may result in glass damage or serious personal injury.

TOOLS REQUIRED

(Please bring your own tools)



(we offer)
Aluminum punch template



Spirit level



Tape measure



Power drill



Screw driver



Drill Bits 5/16"



Pencil



Rubber hammer

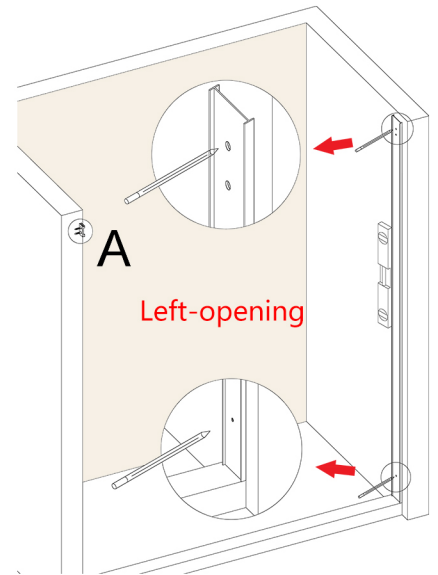
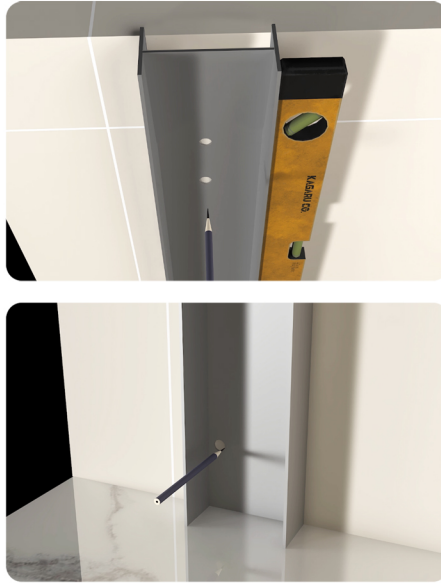
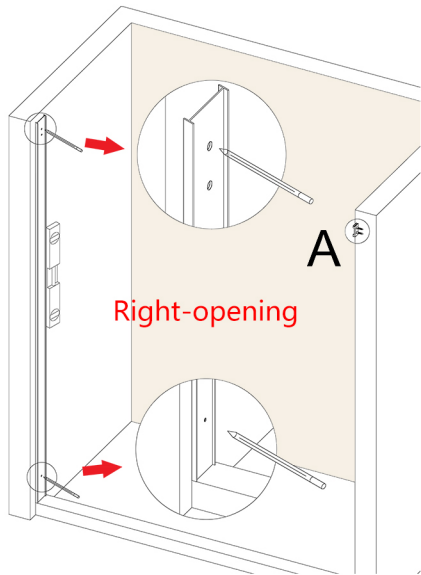


Hacksaw

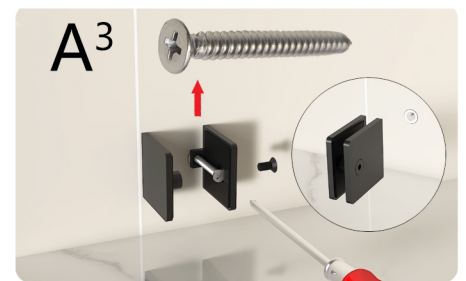
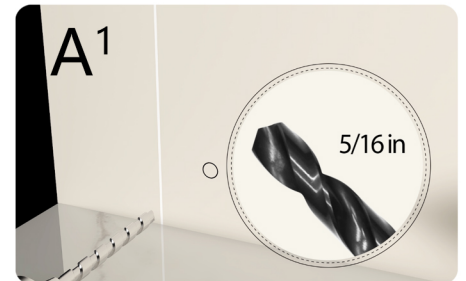
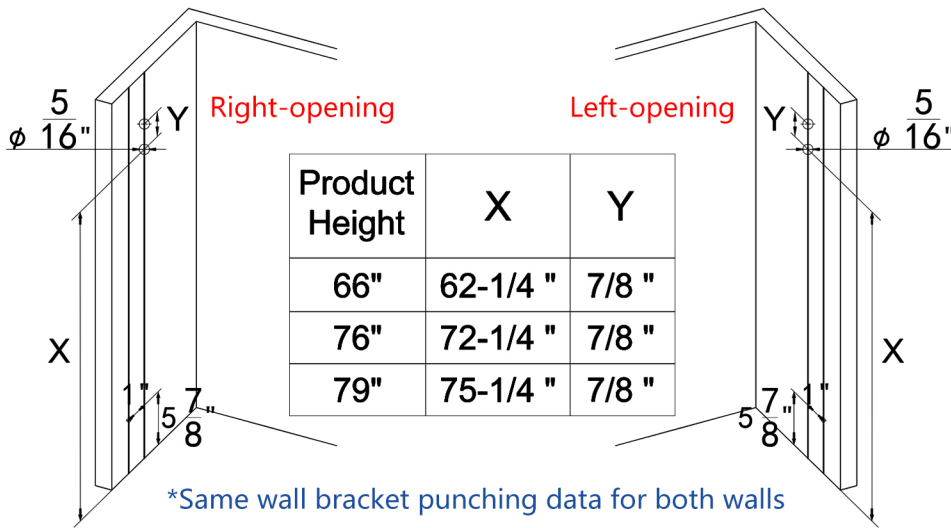


Silicone Gun
Modified Silane(Silyl) Polymer

INSTALLATION STEPS



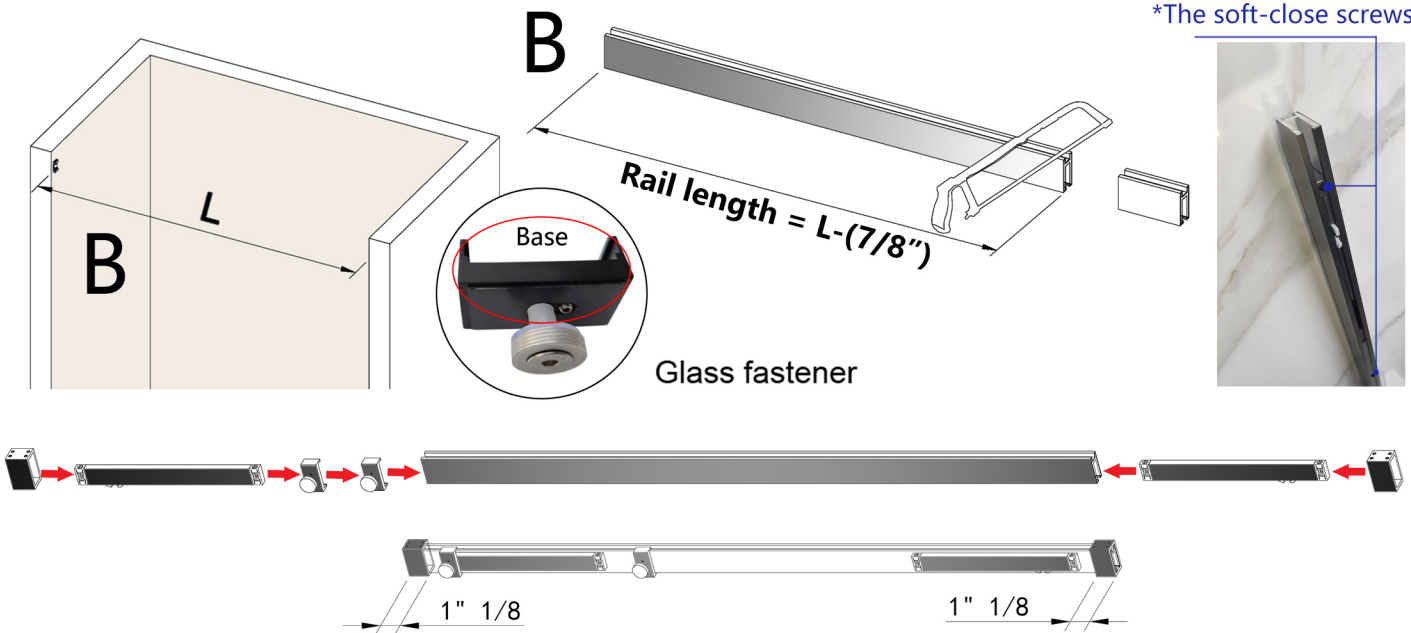
① Punch rules: the bottom fixed glass bracket perforation position needs to be 1" outside the vertical surface of wall bracket punch position, to ensure that the fixed glass is installed on the outside of guide rail. If punch template missing or broken, please refer to step 2 of punch data. Choose your opening direction according to the picture above. Prepare to draw fixed glass side wall point, please put the punch template vertically close to the wall, the bottom needs to touch threshold, use level to confirm the vertical and draw the two position of the punching points. Sliding glass side wall only need to draw top wall bracket punch point.



② The vertical surface of wall bracket drilling position should not be less than 1 3/8" away from exterior vertical surface of your threshold. Check the drawn points on both side walls against the table data. If your threshold and wall joints are curved, not right angles, please measure and drill the holes using the table data directly.

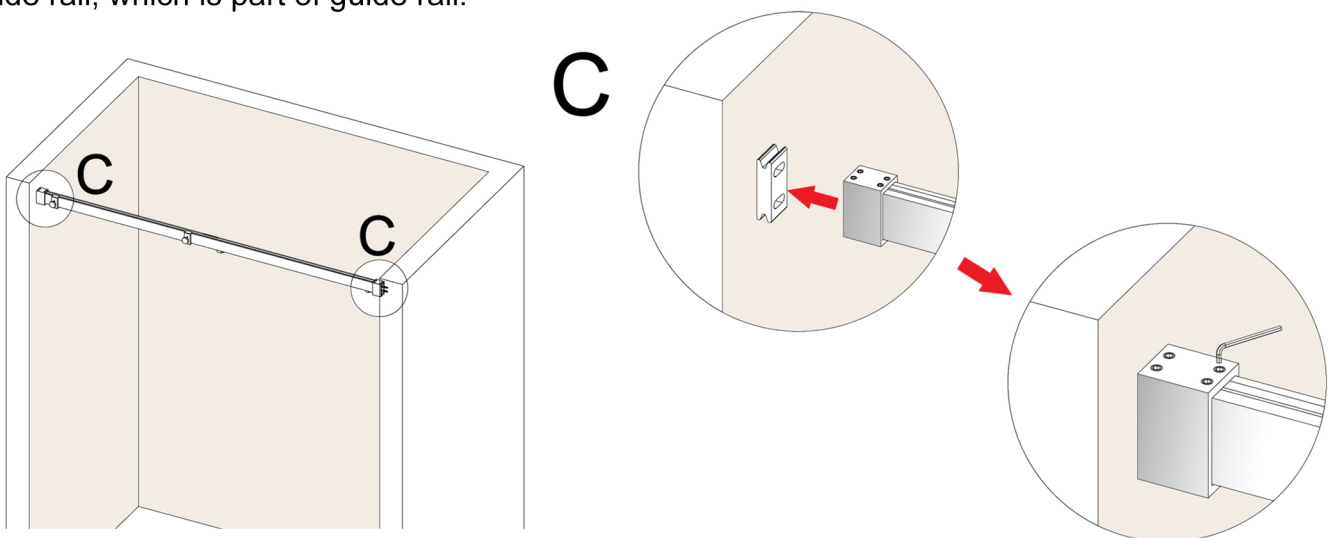
Drill the holes according to the drawn holes, making sure that there is no offset of the holes. Then install wall bracket base and glass bracket on the matching holes.

*The soft-close screws

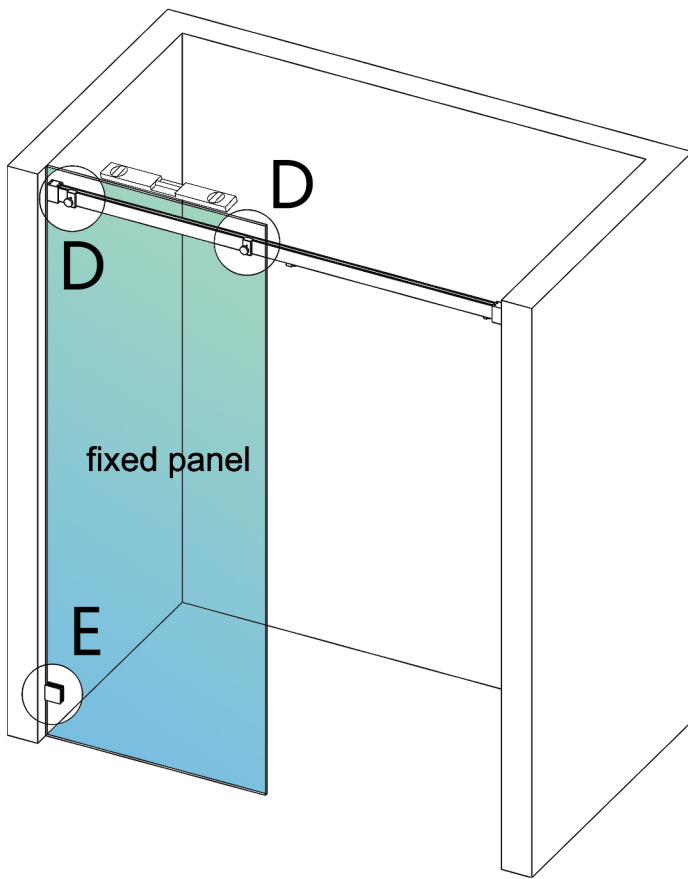


- ③ Please measure the opening at the top of your shower, the final length of guide rail will be equal to the top width of your shower opening minus 7/8 in. then cutting guide rail according to measured data. Please wear protective gear before cutting, be careful not to damage the finish of guide rail. 2 soft-closes have been pre-fixed into the guide rail, please adjust the fixed position of soft-closes before cutting to avoid damaging them. Please note that you'd best not to remove soft-closes from the guide rail. Loosen the fixing screws on both sides of soft-close a little to adjust its fixing position. After cutting, re-fix soft-closes in the position as shown.

If you need to stretch the installation width, just adjust the insertion depth of wall brackets and guide rail without cutting. SS13 has MAX installation width stretch of 1/2" for each size. If you purchased Brushed Nickel or Chrome unit, please carefully remove the plastic protective film on the guide rail surface at this time. Do not remove the stainless steel shell from the surface of guide rail, which is part of guide rail.



- ④ Please place glass fastener bases on the outside of guide rail as illustrated(Fixed panel side). Loosen the fixing screw at the top of wall bracket connection to avoid blocking the insertion to guide rail, without unscrewing it completely. Then place wall brackets onto the sides of guide rail and lift guide rail at the level of wall bracket base, push the wall brackets on both sides to cover the base at last. Fix wall brackets on both sides with screws to lock guide rail.



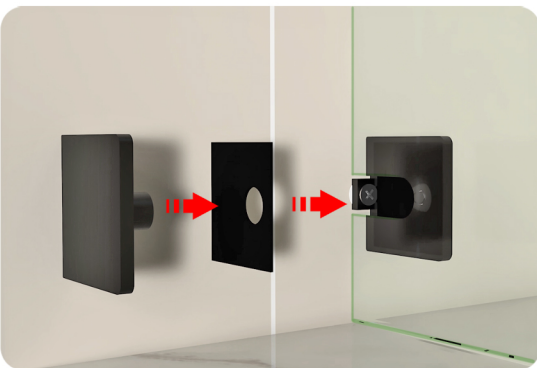
D



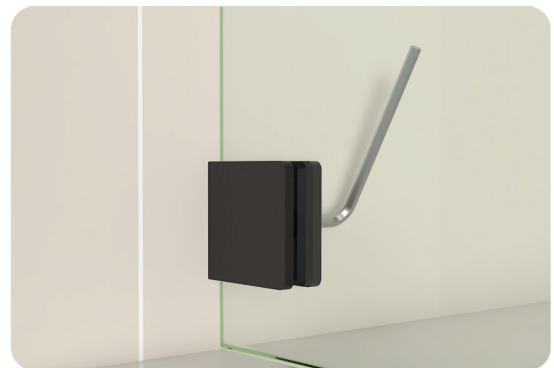
- ⑤ Installation of fixed glass: Remove fixed panel corner protections. Remove the decorative cover of bottom glass bracket, then push the glass fasteners to match the top holes of fixed panel. Adjust the glass to make sure it's level and plumb. Install the glass fasteners as shown. Fixed panel can be adjusted slightly to match wall offsets.

Please note. Do not remove the clear adhesive on the base, it will serve as protection.

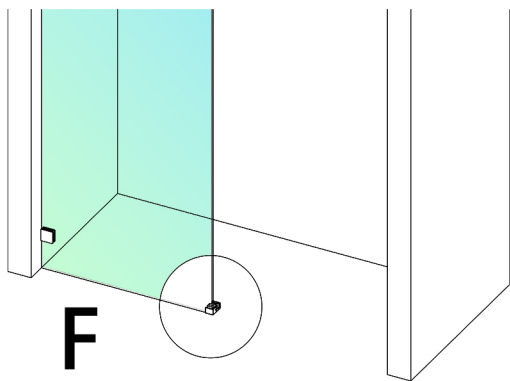
E¹



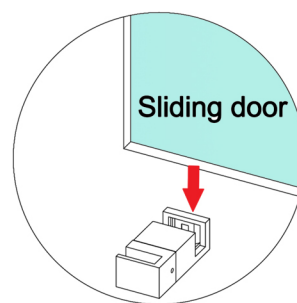
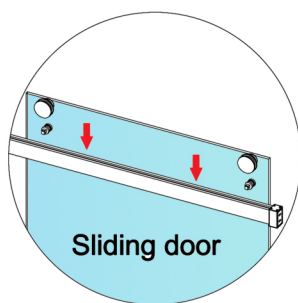
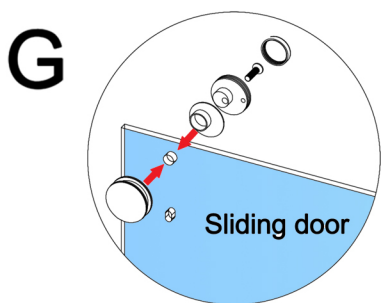
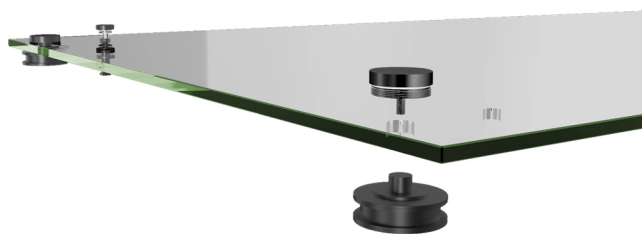
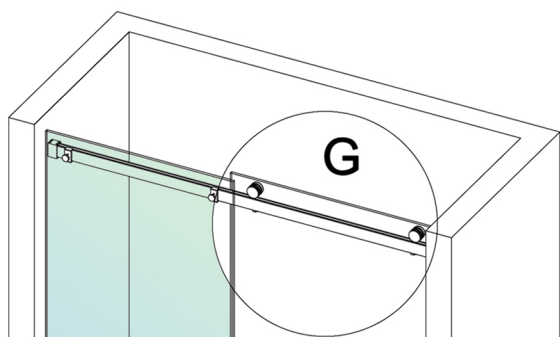
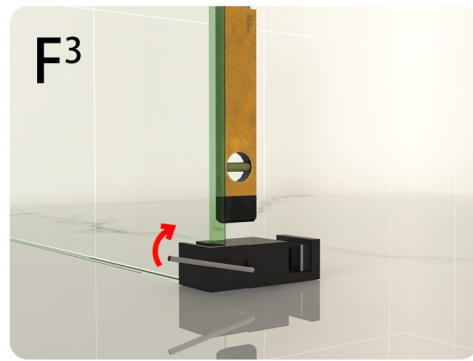
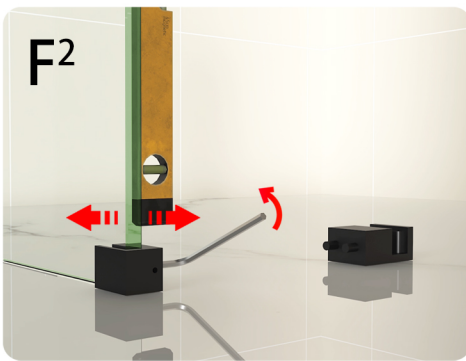
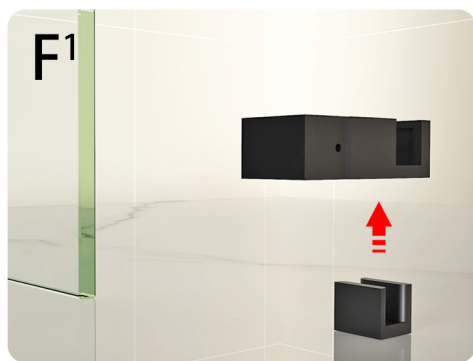
E²



- ⑥ Tighten bottom glass bracket decorative cover to complete the installation of fixed panel. If you have not finished drilling the hole for glass bracket, please complete the drilling first.

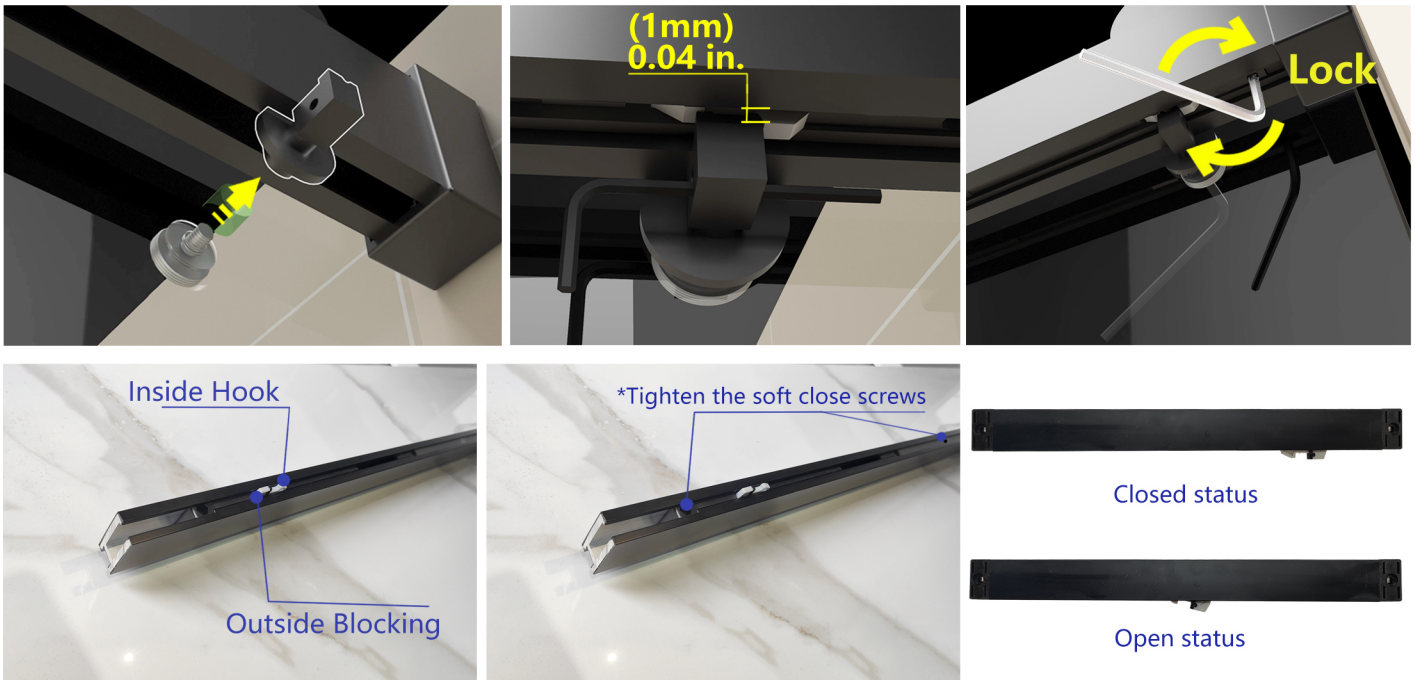


⑦ Assemble the guide block as shown and fix it to the corner of fixed panel. Then use a level to ensure that fixed glass is vertical. Please note that the protruding end of the guide block should be face inwards for subsequent installation of sliding glass. No need to drill hole on the threshold to install the guide block.



⑧ Unscrew the decorative cover of all the rollers and separate the rollers with Allen Key. Install the two rollers in the two holes above the glass as shown then tighten the set screws. Hang the sliding glass on the guide rail, then use Allen Key to loosen the roller screws a little. Take care to keep the bottom of sliding glass in the grooves of guide block. Use Allen Key to adjust the hole on the side of the rollers to adjust the level and height of sliding glass, make sure that sliding glass is level and then tighten the fixing screws, tighten the decorative cover of the top rollers at last. Sliding glass can be allowed to tilt a little to match non-vertical wall, and the remaining offset allows door seal to fill in.

Please note that to adjust the height of sliding glass, you need to make sure that the bottom of sliding glass is not touching the groove bottom of guide block, to avoid unsmooth sliding.



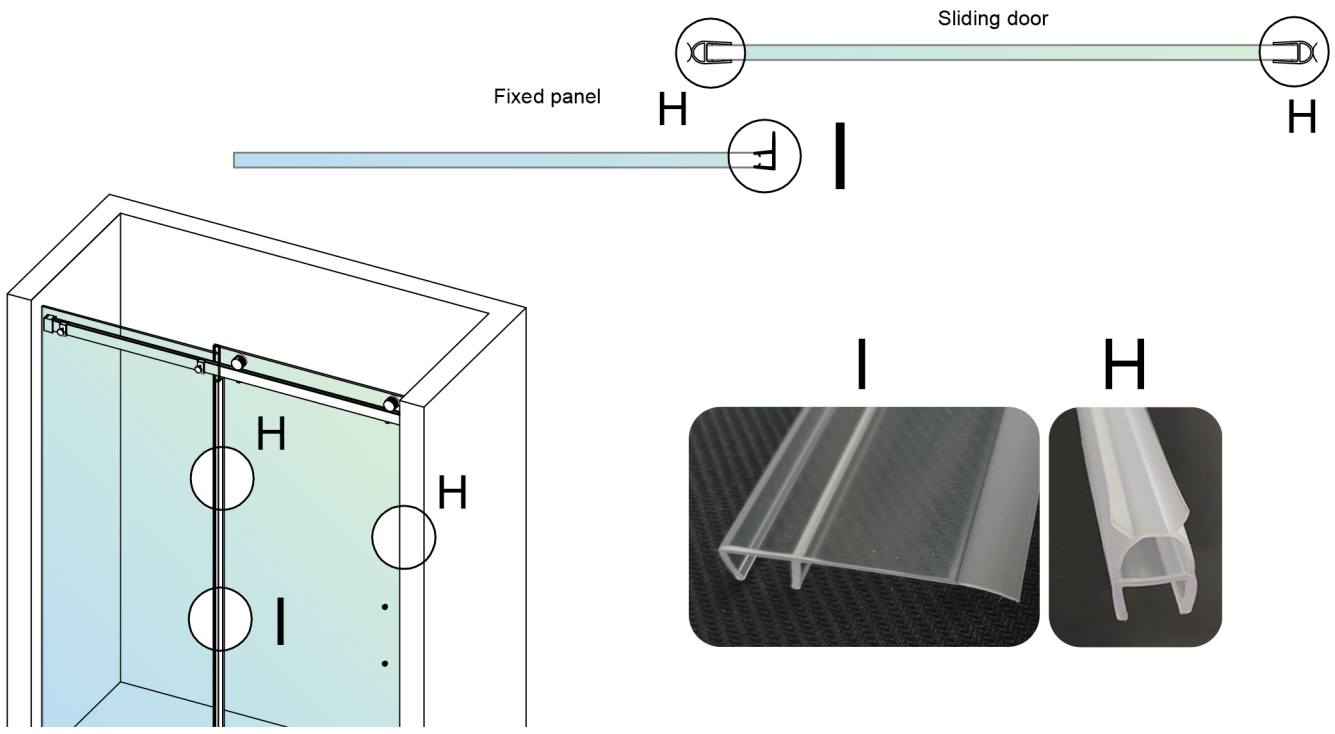
⑨ The illustration shows the two states of soft-close. The fixed position of soft-close will determine its final closing position range. Before testing soft-close, please make sure that the fixing screws of soft-close and anti-jump knob are tightened. Anti-jump knobs need to be installed on the inside of soft-close hooks.

Installation of Anti-jump Knob: Make sure that a total of 2 soft-closes at both ends of guide rail have been correctly fixed in the corresponding positions (refer to the illustration in step 3).

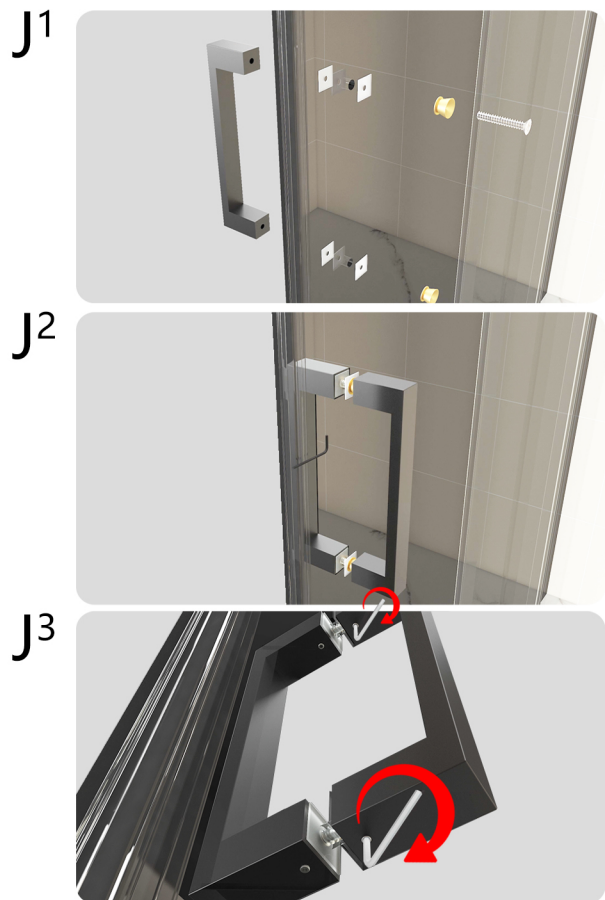
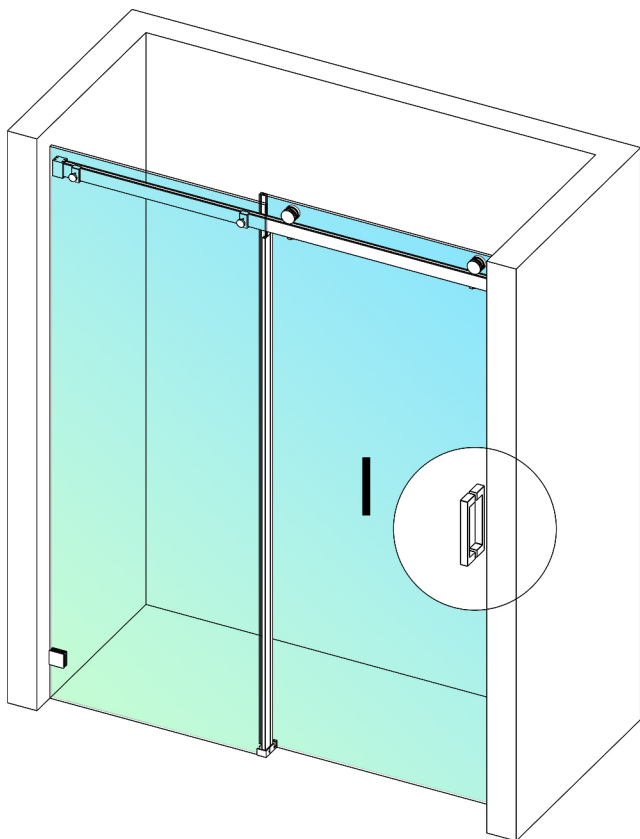
Method 1: With the soft-close in the closed status, use Allen Key to detach the anti-jump knob and install it on the bottom of guide rail as shown. Then loosen it a little to adjust it to the height that it almost touches the bottom of guide rail, close to but without touching, small gap, the distance is about 0.04 in. (1mm), directly visually to adjust it. Then tighten the fixing screws, please note to keep the anti-jump knob's height and the top level while tightening it.

Method 2: Push sliding glass to the middle of the door, install anti-jump knob at the bottom of guide rail according to method 1, again near the bottom of guide rail but without contact, and then pull all the soft-close inner hooks in the closed status to the open status, we recommended to wear gloves to operate them. Once complete, you can test for soft-close, the principle of the two methods is similar, adjust the height of anti-jump knob is key point!

Soft-close Test: After tightening, start the soft closing test, if the anti-jump knob can easily enter the soft-close groove without noise when closing the door, and when opening the door, the anti-jump knob can drive soft-close inner hook to open status and will not spring back, it means that this soft-close installation and test is completed. The anti-jump knob is fixed too high or too low will lead to the failure of soft closing. the relevant issues processing method please refer to page 17. Please note opened and closed gently during the soft-close test. Do not force the door shut or force anti-jump knob into the groove during test period to avoid damage. It may take several times to achieve perfect soft closing status. Please make position adjustments according to the actual soft closing situation. The installation method of the remaining one soft-close is the same, after all the installation and testing are completed, tighten the decorative covers of anti-jump knob, this step is completed!

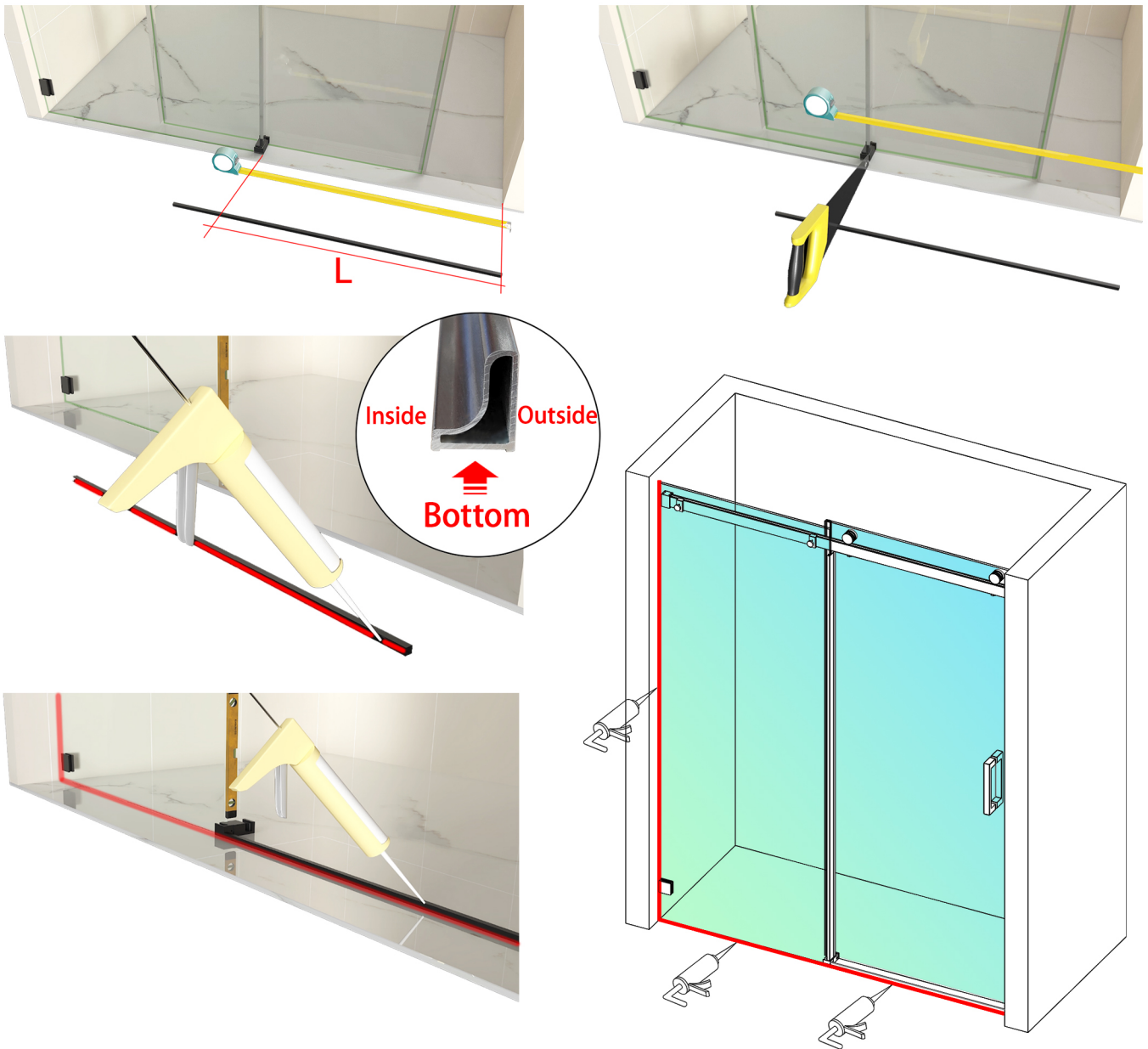


⑩ Install the door seal as illustrated, wide door seal should be installed on the fixed glass side. All door seals should be installed starting from the bottom and working upwards. If the roller scratches against the door seal, please adjust the height of door seal or trim the top of door seal. Install handle to the corresponding holes on the sliding glass according to the illustration.



⑪ Please check whether you need to cut the Anti-splash threshold according to the width of the remaining opening, taking care that do not damage its finish if cutting. Cut to the right length to match the opening. Then install the Anti-splash threshold with silicone at the opening, flush with the outside of guide block. Take care to have the taller side as the vertical side and the shorter side against the threshold. Remove sliding glass corner protections. Check the installation stability of each part, tighten the fixing screws of each part.

Clean up the garbage, dry the water and stains with a soft cloth after installation, then applying mildew-resistant silicone on the side of fixed panel and Anti-splash threshold. Punch template and box can be discarded after installation or retained for other uses. Installation completed!



Note: Please dry for 24 hours after the mildew-resistant silicone is applied before use.

PRODUCT INSPECTION BEFORE FIRST USE

- 1 Check the level and stability of guide rail.
- 2 Check whether sliding glass is vertical.
- 3 Check whether the fixing screws of rollers, soft-closes, guide block and guide rail are tightened.
- 4 Check whether sliding door slides smoothly without noise. Door can be locked in closed position when closing door.
- 5 Proper gap between anti-jump knob and the bottom of guide rail when door slides.
- 6 Proper gap under sliding door between the threshold and guide block.
- 7 Check that the door opening and closing can be done with normal soft-closing and without noise.

For technical support, please contact us.

SHOWER DOOR MAINTENANCE AND CARE

- 1 Shower door glass is double-sided easy-clean glass. For daily cleaning using moist soft cloth to wipe away surface water and stains, reduce the use of cleaning agents to extend the easy-clean performance. We recommend cleaning the hardware at least once a week and cleaning the glass daily after showering. It's best to use damp, soft cloth and silicone squeegee, or you can use some neutral, mild detergent. Remove the door seals allows you clean the glass overlap area.
- 2 Do not use any sharp cleaning tools or cleaning agents with abrasive ingredients to clean the glass. Do not use abrasive cleaners or cleaning products that contain ammonia, bleach or acids. If accidentally used, rinse the surface ASAP. Long-term use of corrosive cleaners will cause discoloration or spots of the hardware. Reducing the use of cleaners will prolong the use of the hardware&glass appearance. You can use small amount of anhydrous ethanol or Neutral Mild Cleaner to clean stubborn water stains or calculus on the hardware.

3 Do not let the shower water directly wash the bottom of sliding door, otherwise it may result in water splashing out of the bottom of sliding door.

4 Although SS13 has soft-closing system, do not open and close the door violently frequently, as this may result in damage to the soft-close. To prolong its lifetime, we recommended to open and close the door gently.

PLEASE NOTE: In order to prolong the life of your door, please check the glass and all hardware regularly for shifting/damage/difficulty sliding/noisy sliding, to void incorrect operation during the installation process to affect the subsequent use and cause damage. If you have any questions or concerns, please contact us.

TROUBLESHOOTING GUIDE AND NOTE

If not installed correctly, the following issues may arise.

Shower door leaking issues:

Q: The bottom of the inner door leaks, how should I do?

A: Please confirm product wall bracket punching data are correct and the anti-splash threshold glue seals well without leaking, then following adjustment steps need to be made.

1. Adjust the angle of the shower head, avoid the shower water directly wash the bottom of the sliding door.
2. Please adjust the height of the top rollers to reduce the height of sliding glass. Complete these 2 steps would solve it, if there still leak please contact customer service for support.

Before adjusting the height and level of sliding glass, we recommended to adjust the height of Anti-jumping Knobs to avoid affecting the adjustment of top rollers. Adjustments completed and then restore Anti-jumping Knobs.

FAQ About Soft-close and Anti-jump Knob Adjustment

If soft-closes and anti-jump knobs are not adjusted correctly the following issues may result:

Q1:The door is closing with large gap between the wall and the door or the door is fully closed just as the soft-close system begins to operate.

A1:This issues is due to incorrect soft-close fixing position. Loosen the soft-close fixing screws to adjust the position to 1-1/8 in. from the wall, this position needs to be adjusted according to the actual soft closing effect. The soft-close set screws need to be retightened before the soft closing test.

Q2:If the height of anti-jump knob is not adjusted to proper height, the following issues may arise: When its height is too high, it will lead to noisy sliding or the anti-jump knob can not enter the soft-close groove. When its height is too low it may lead to soft-close spring back to the closed status when open the door, which makes it impossible to carry out the next soft closing process.

A2: Loosen the anti-jump knob fixing screws, adjust to proper height and re-fix it. At this point, there is a small gap but no contact with the bottom of guide rail. If soft-close at the closed status, you can pull the soft-close inner hook towards the center of the door to the open status. After adjusting the height of anti-jump knobs, retest the soft closing effect.

Info about Glass:

Treated with Enduro Shield.on both sides

Low-iron Tempered Safety Glass

16 CFR 1201

CAN/CGSB 12.1-2017

ANSI Z97.1-2015

3/8"UA SGCC

NOTE:The black/white lettering on the corner of the glass is the certification name, which is mandatory printing.

Thank you!

Customer Service:

470-926-8618

321-946-6293

manager10@mcocod.com

Return Address:

- **4800 Little John St.
Baldwin Park, CA 91706**

Please contact our customer service to get replacement or confirm the return steps before returning.