

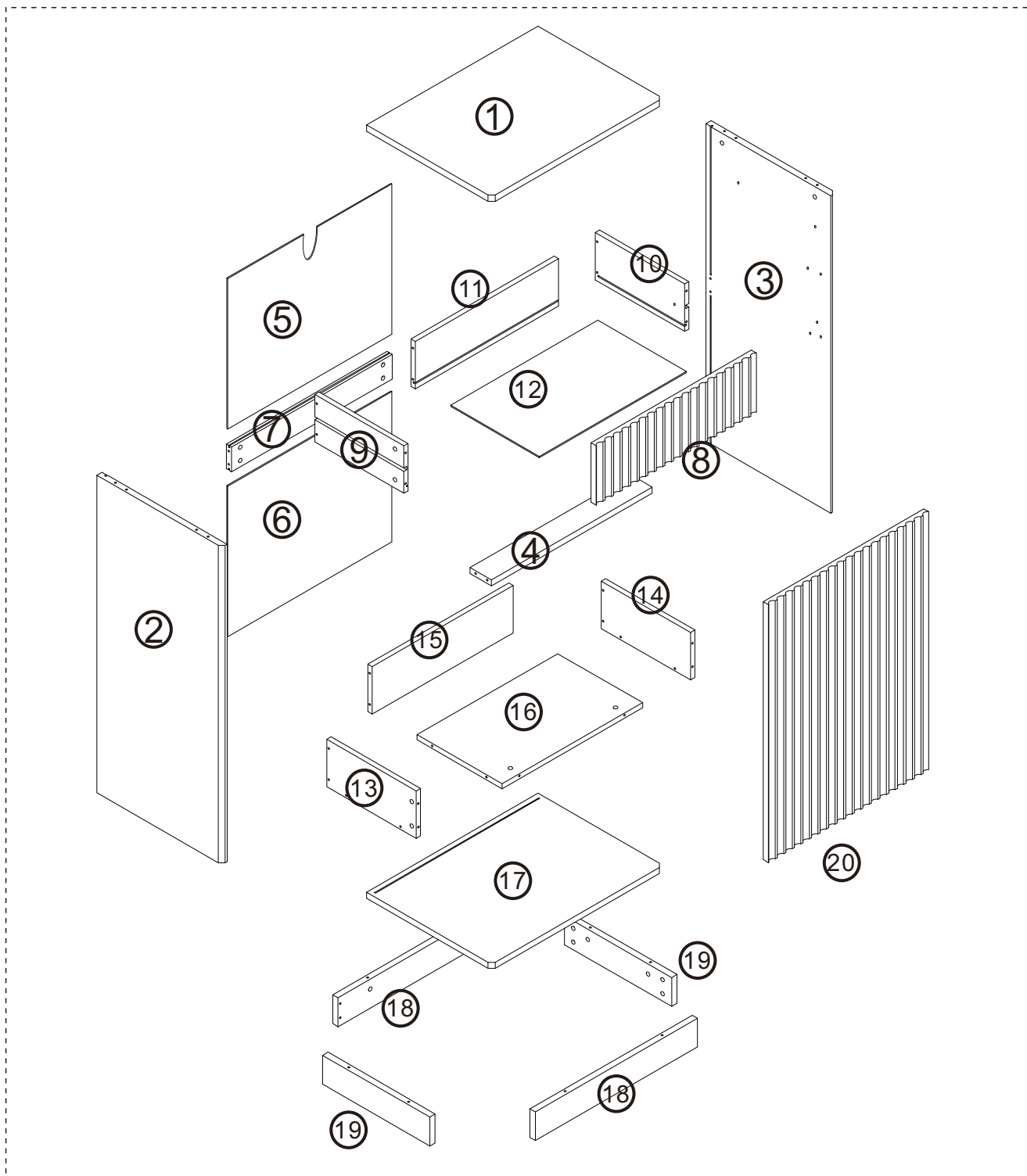
Attention please :


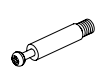


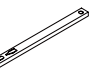




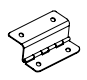

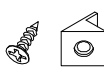


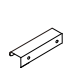

**Improper use of screws may cause the product surface damage!
Please be careful when installing.**




To prevent you from confusing the accessories and boards, Please do not mix the parts of different units when you buy two or more products at the same time.

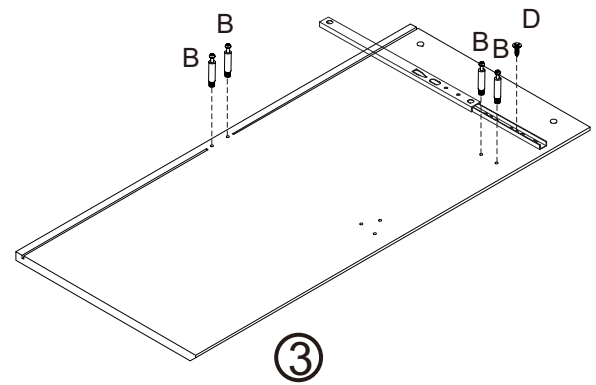
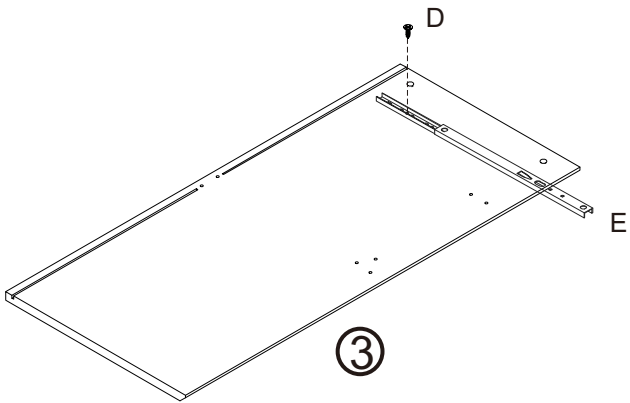
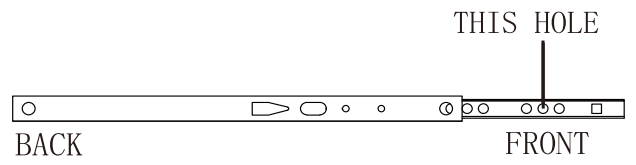
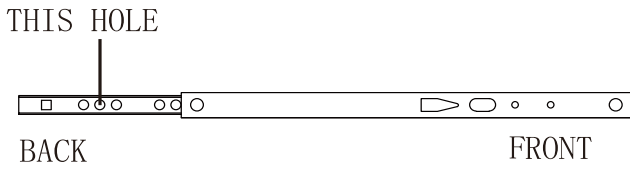
READ AND SAVE THIS INSTRUCTIONS FOR FUTURE USE




ASSEMBLY & INSTRUCTION MANUAL

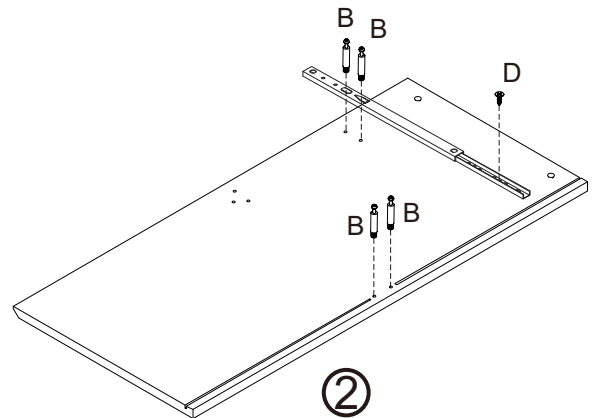
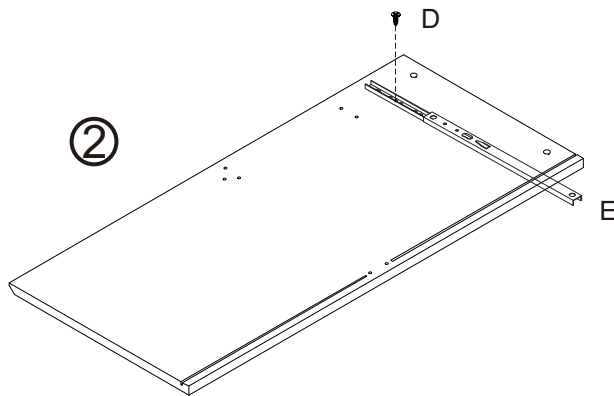
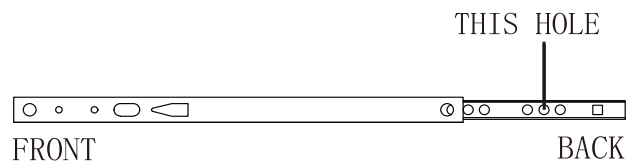
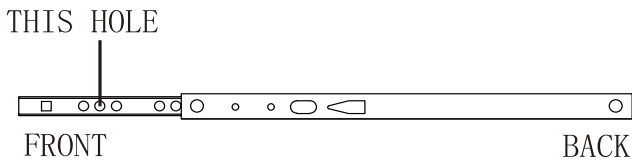


							
A x38	B x38	C x8	D x22	E x2	F x2	G x5	H x1
							
I x1	J x2	K x14	L x8	M x1	N x4	O x2	P x2

-  Bx4
-  Dx2
-  Ex1



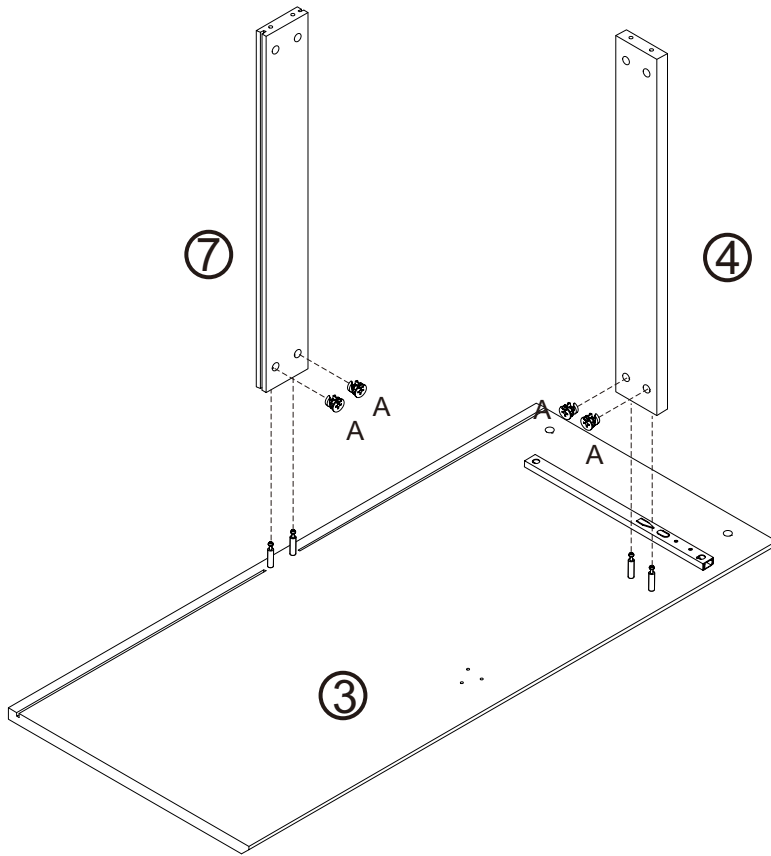
-  Bx4
-  Dx2
-  Ex1





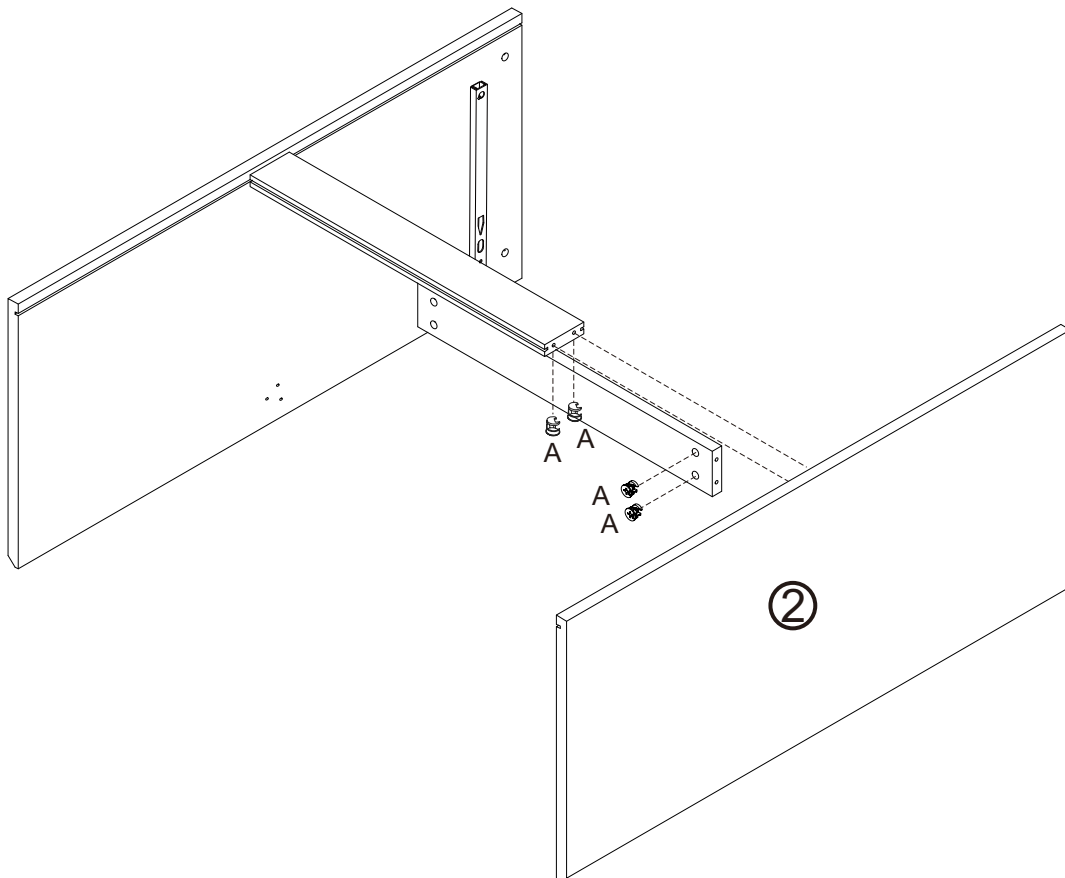
Ax4

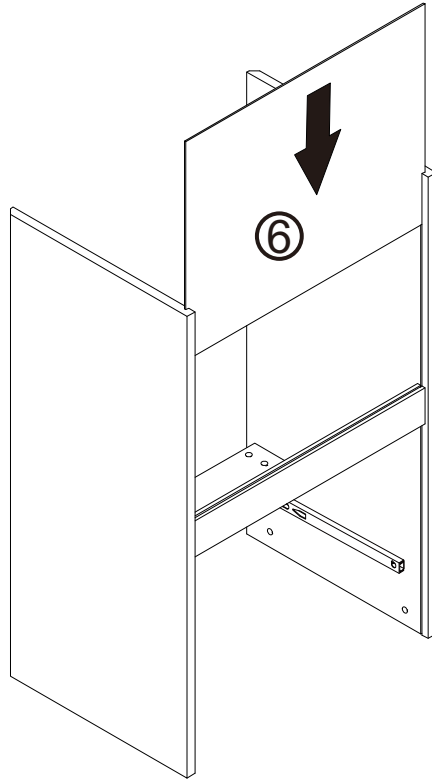
03





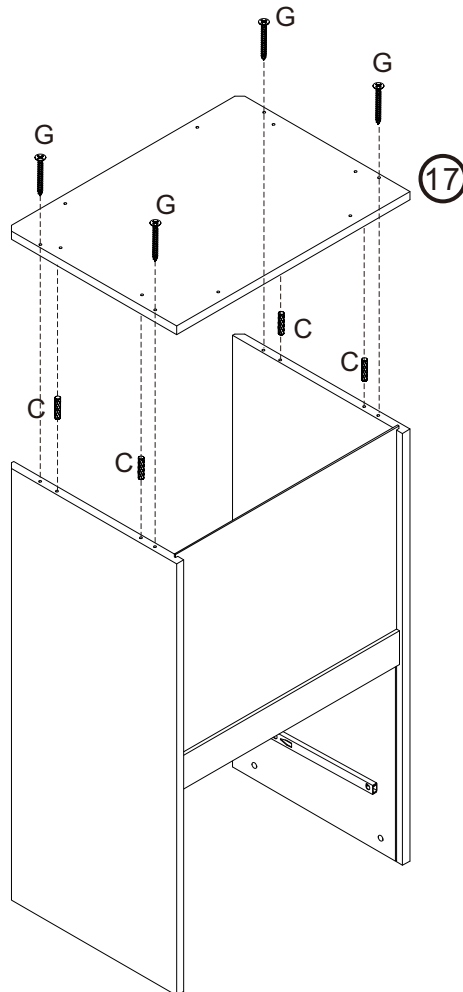
Ax4

04





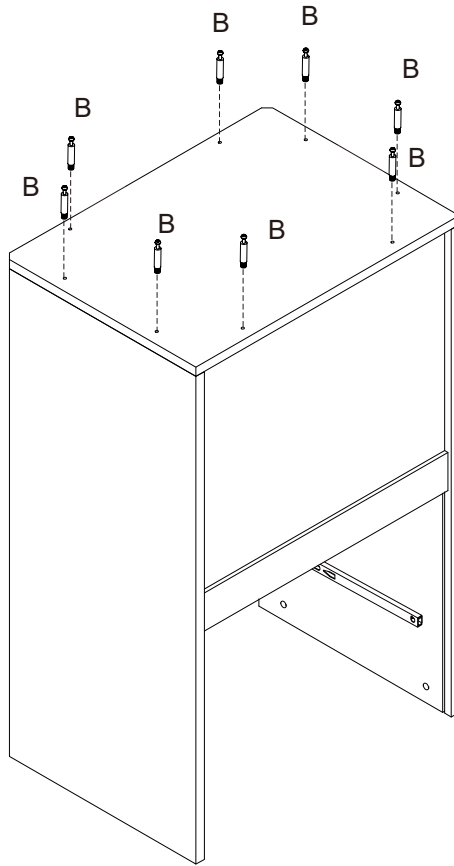
	Cx4
	Gx4





Bx8

07

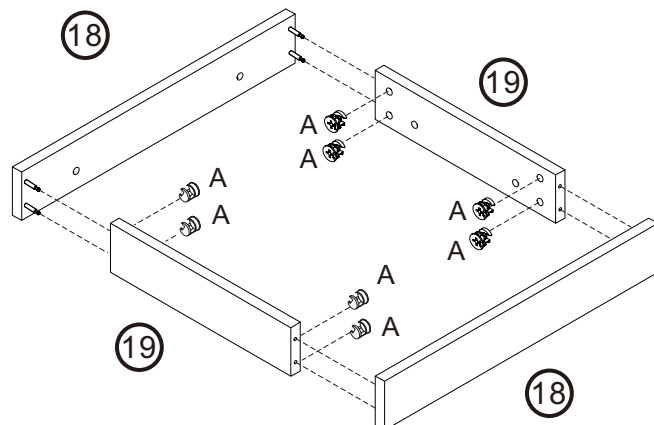
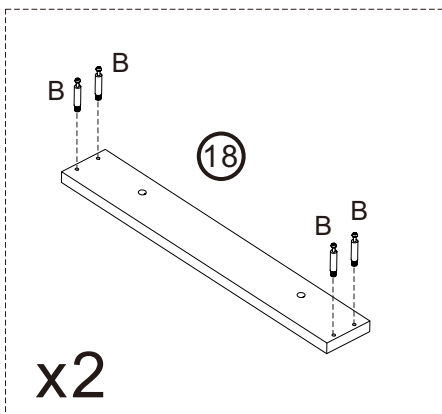


Ax8

08



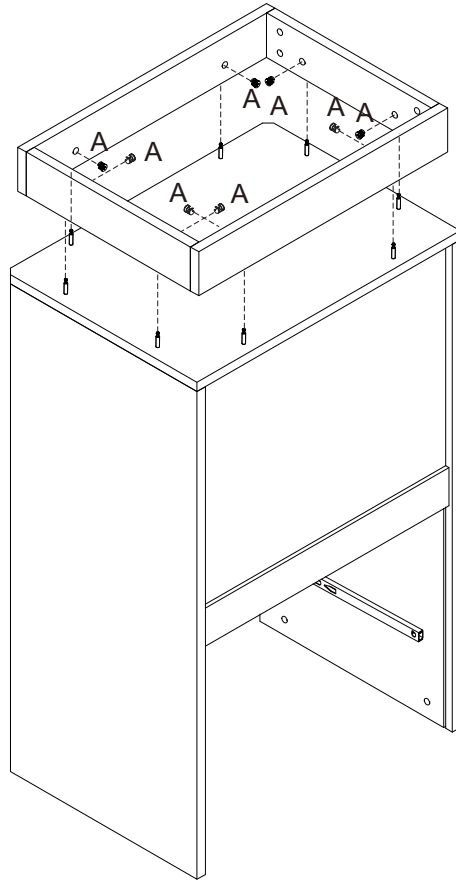
Bx8



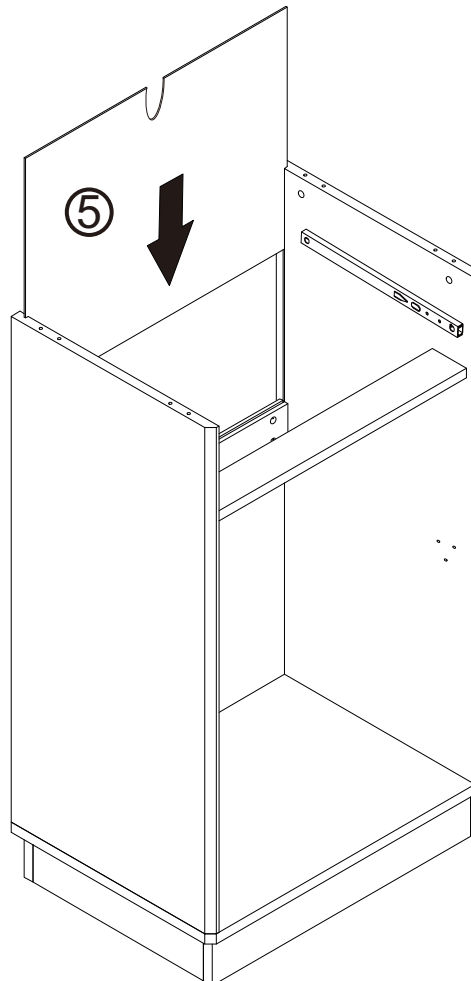







Ax8

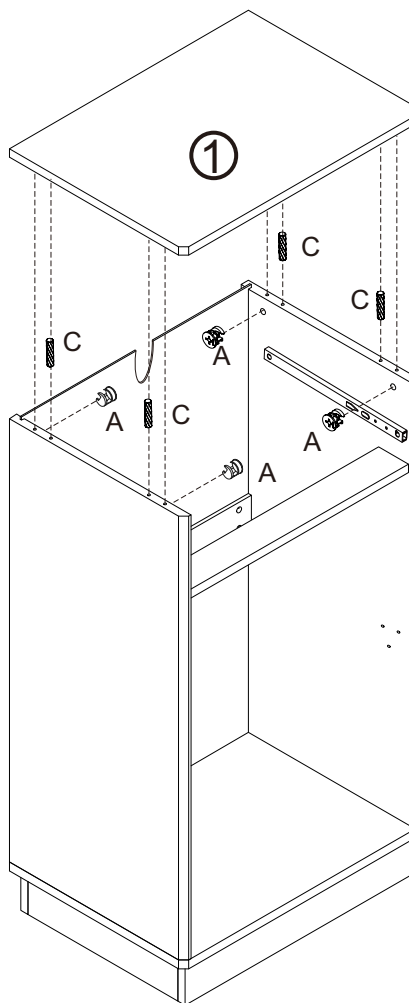
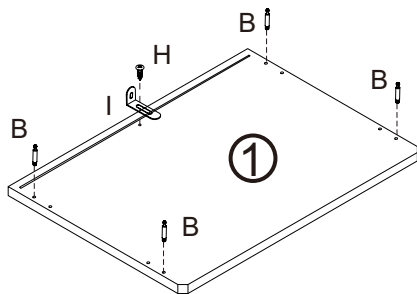
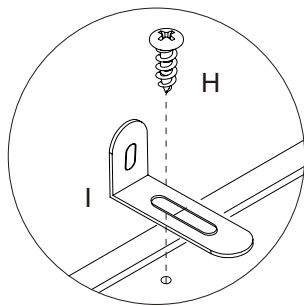
09





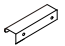


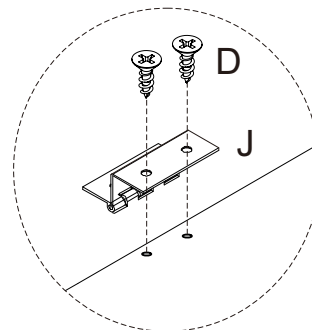
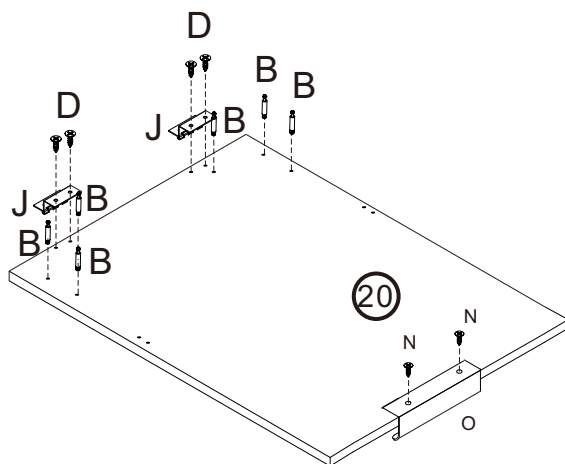
10



	Ax4
	Bx4
	Cx4
	Hx1
	Ix1



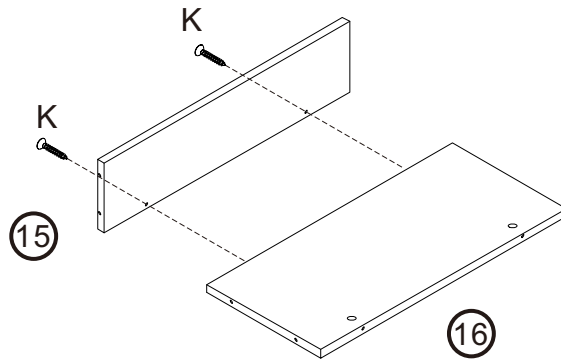
	Bx6
	Dx4
	Jx2
	Nx2
	Ox1





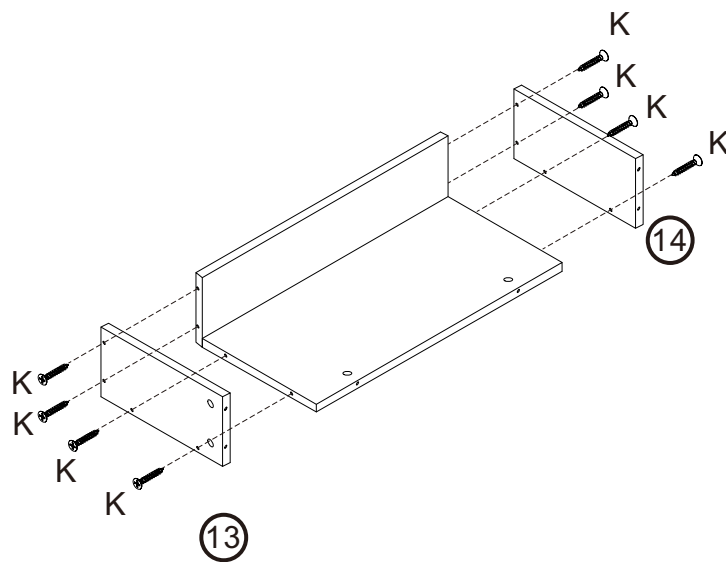
Kx2


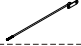
13

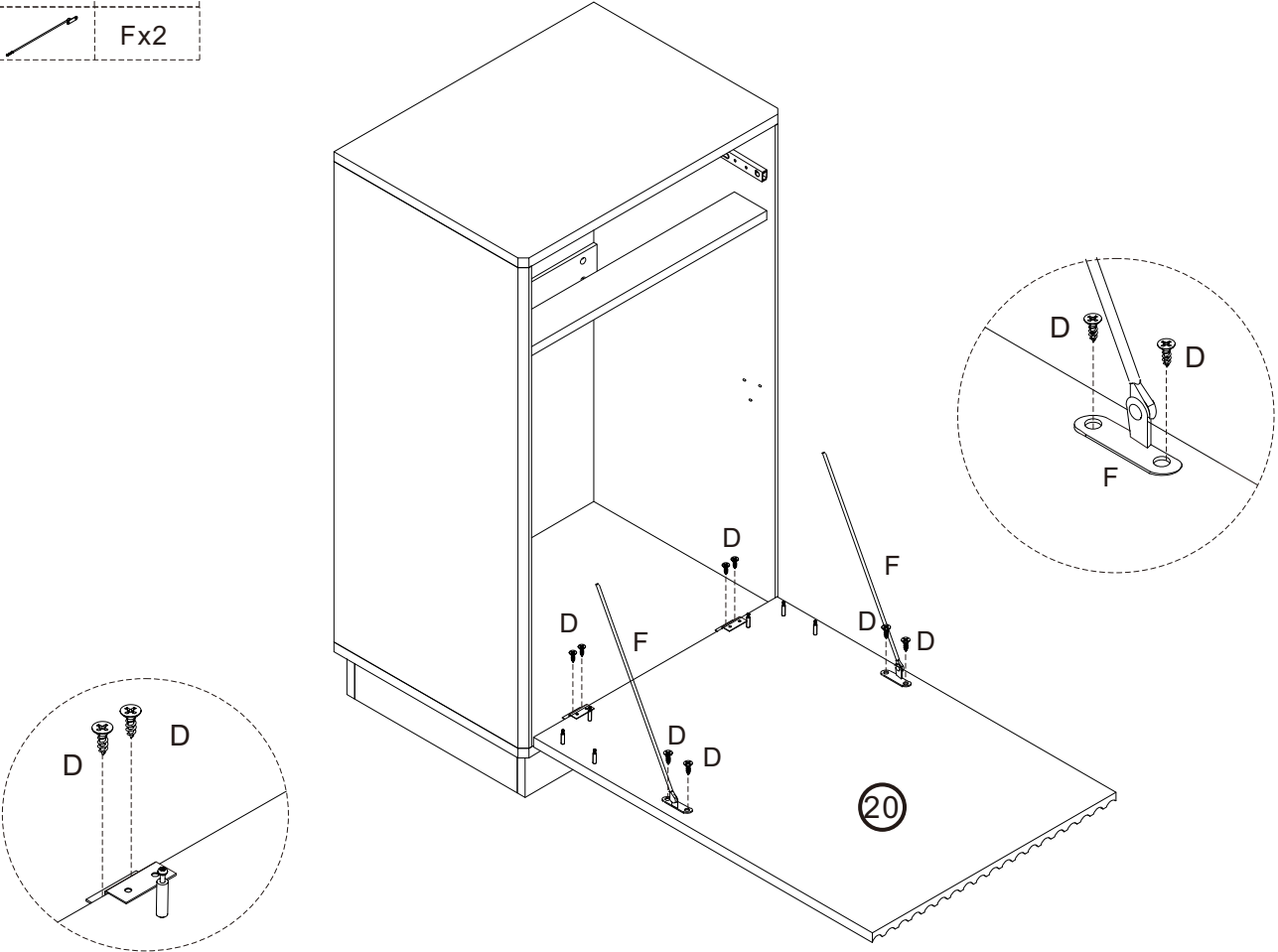


Kx8

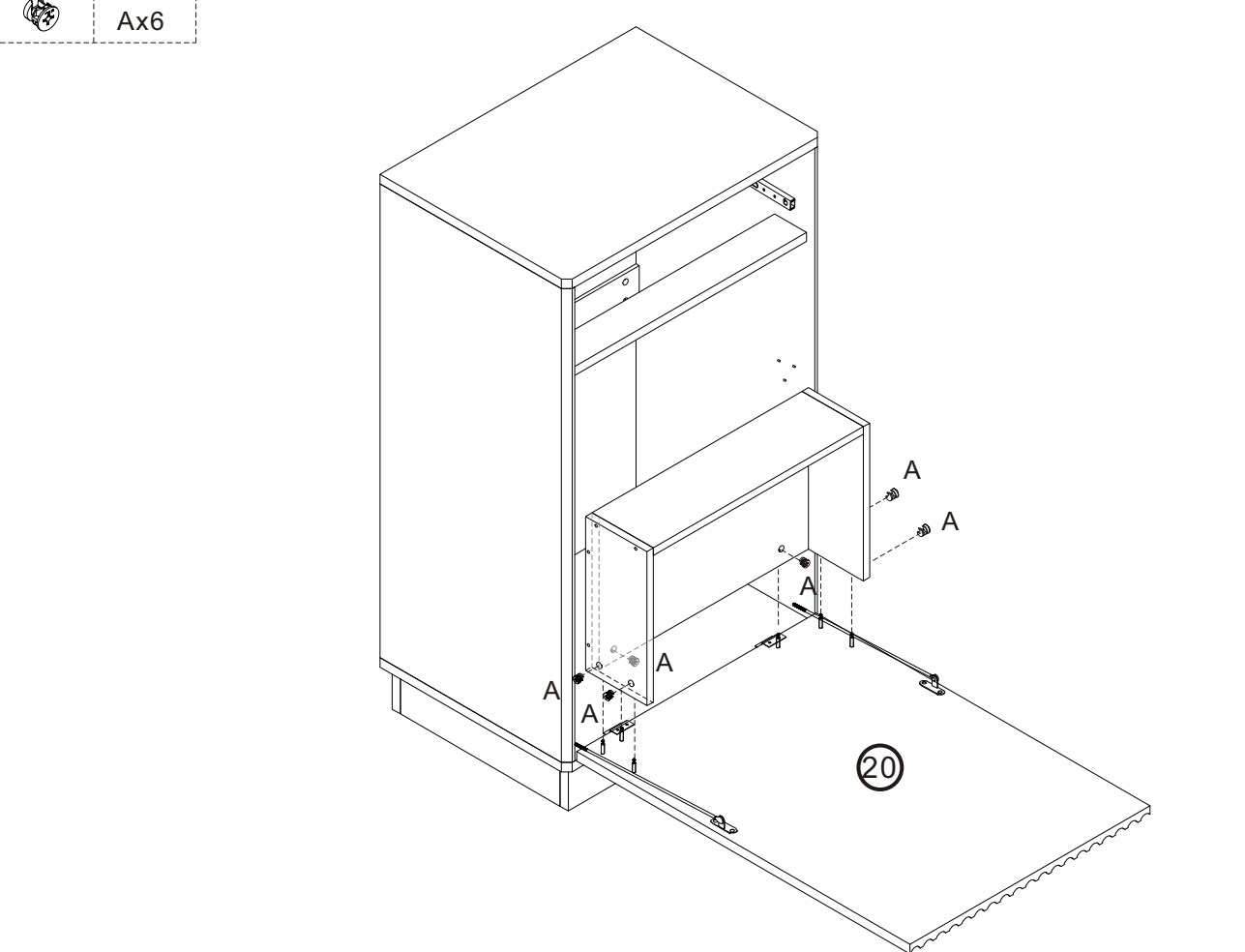
14





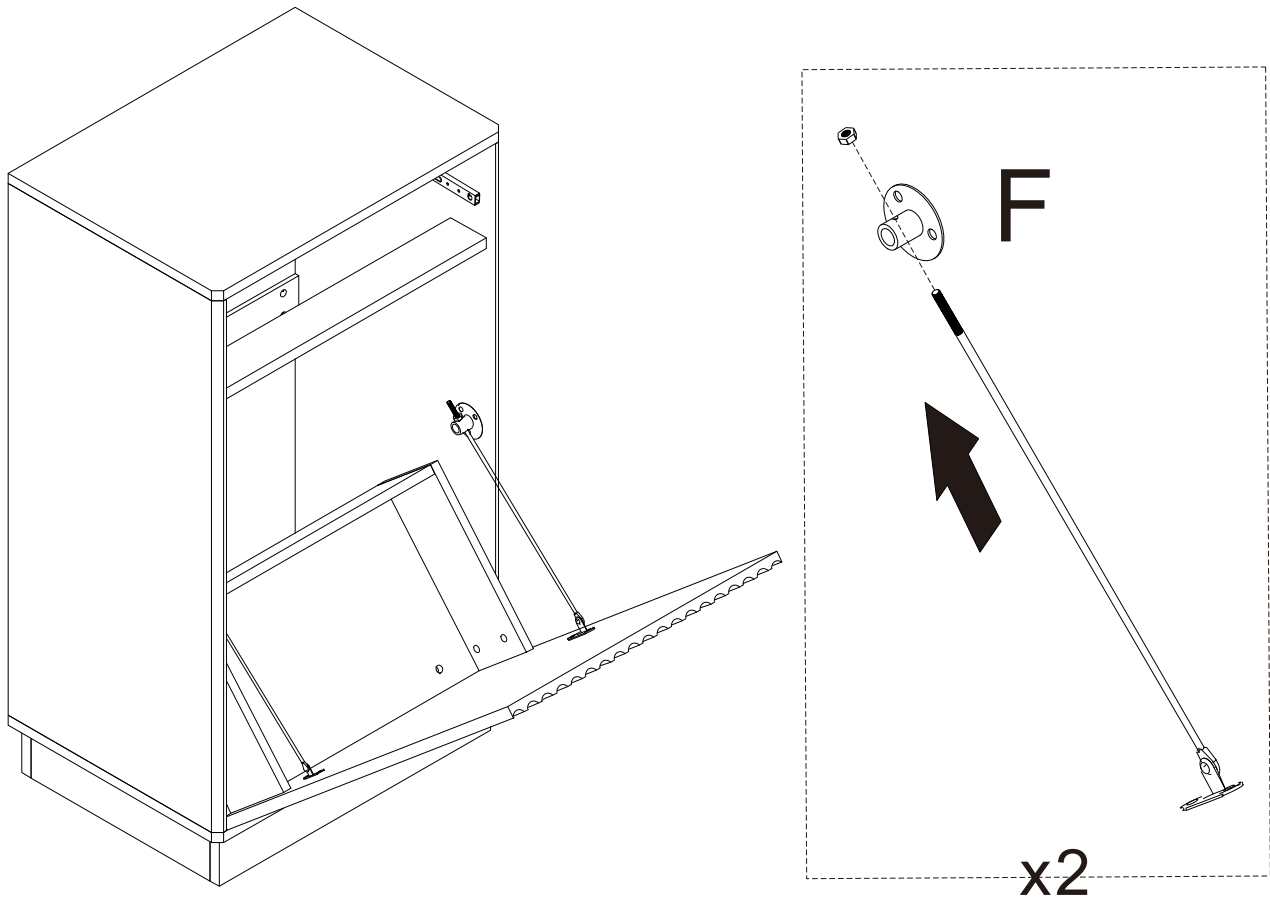
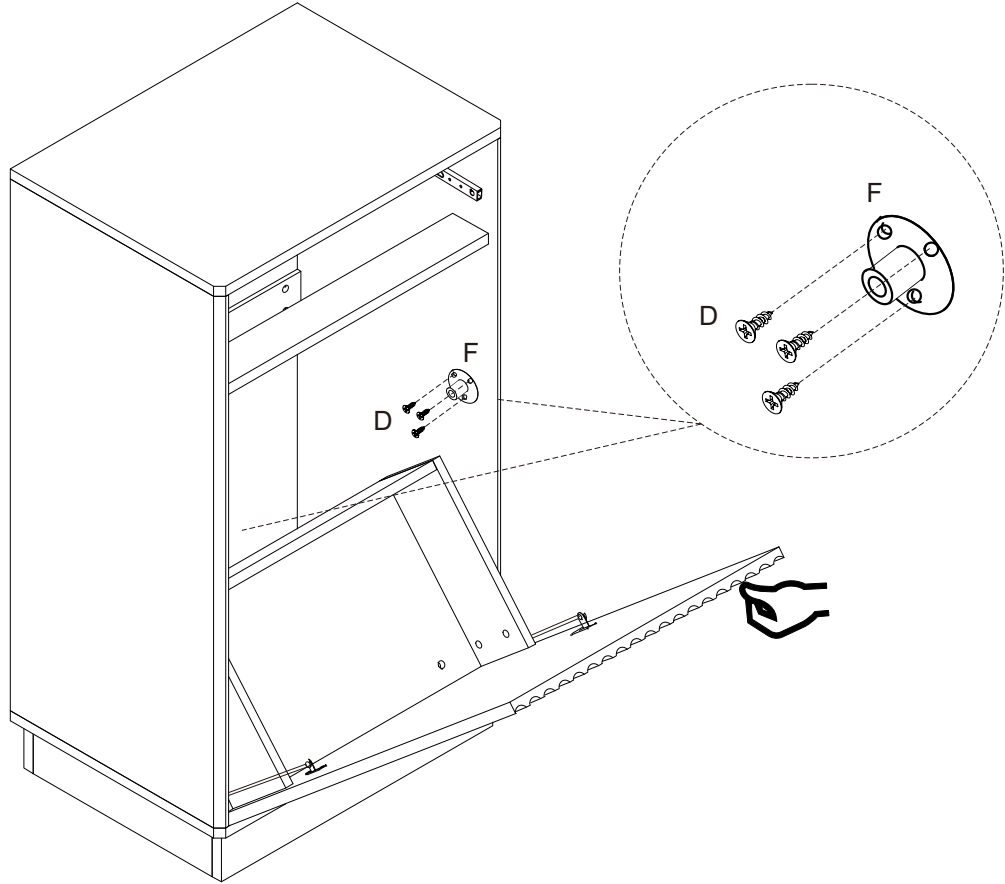
-  Dx8
-  Fx2



-  Ax6



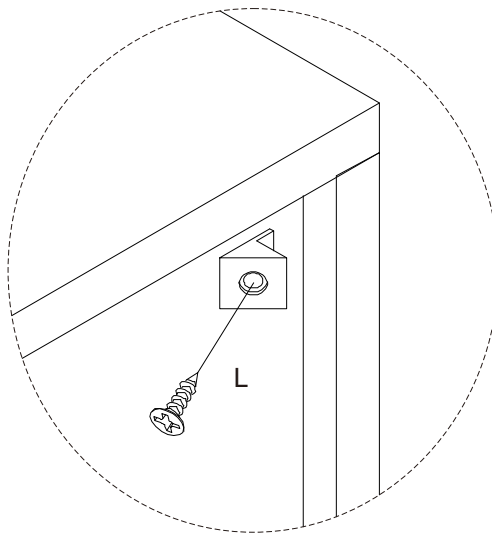
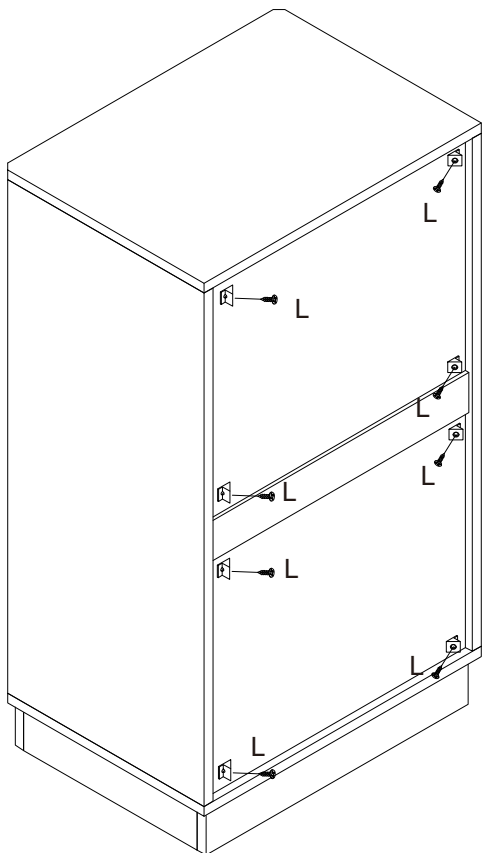
-  Dx6
-  Fx2





Lx8

19

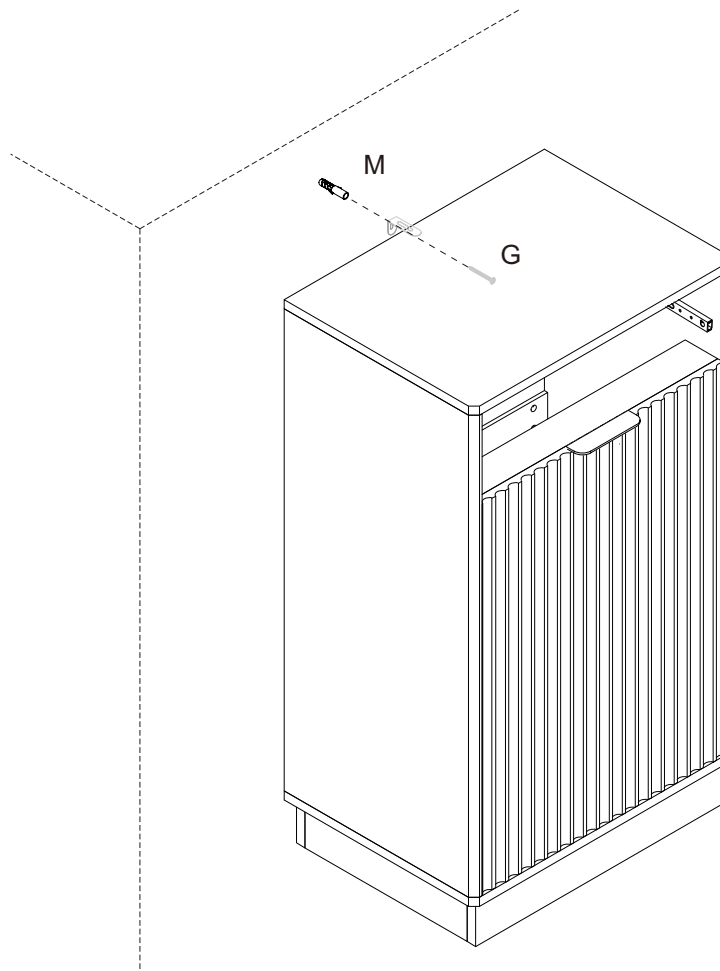


Gx1



Mx1

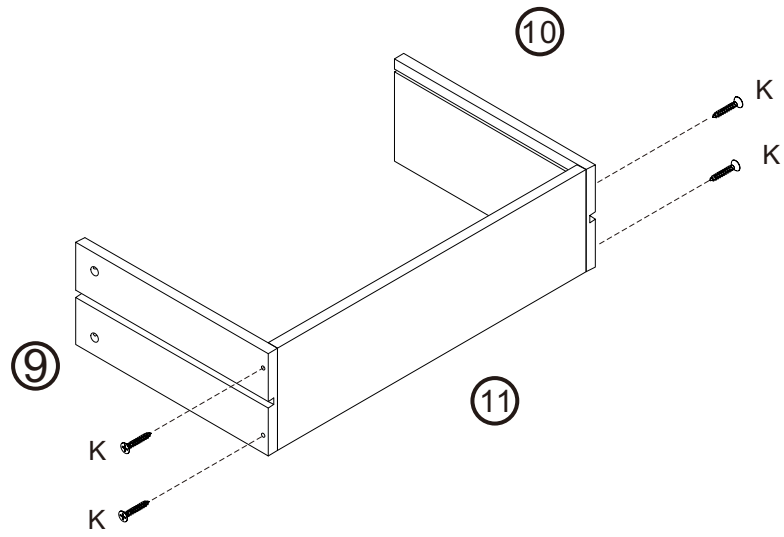
20



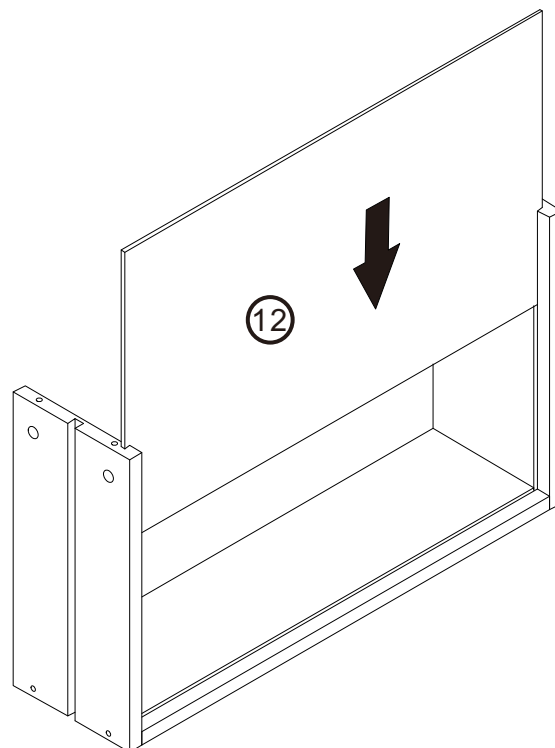





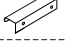
Kx4

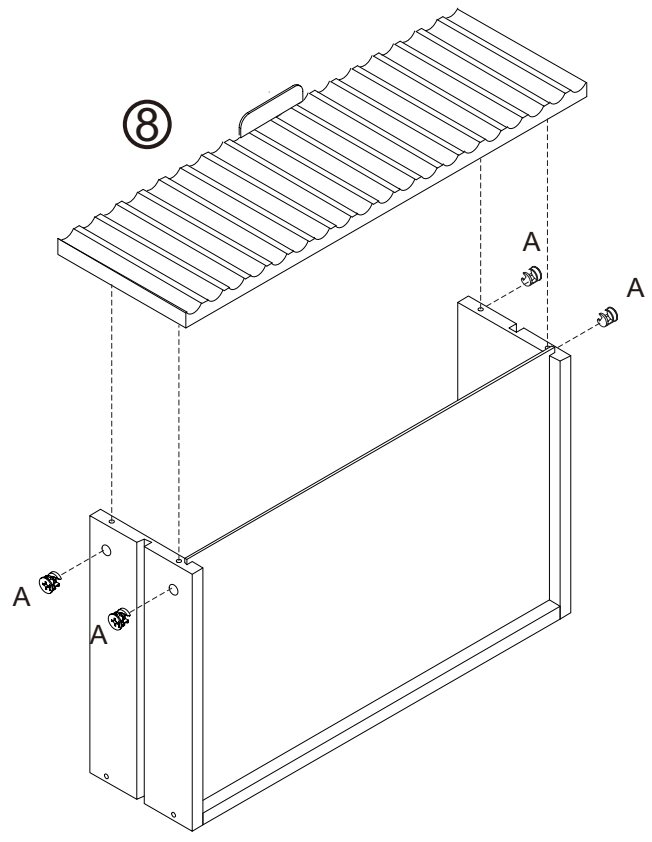
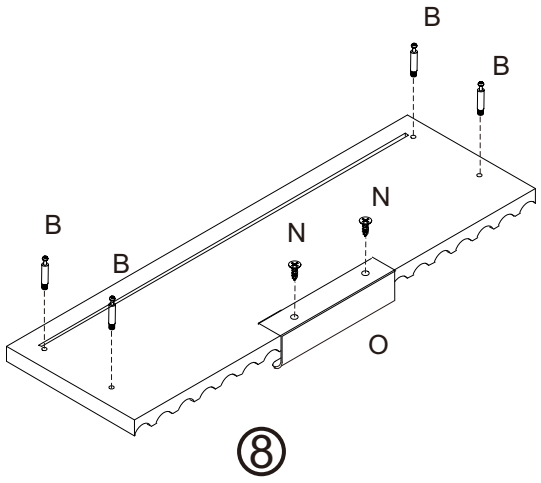
21



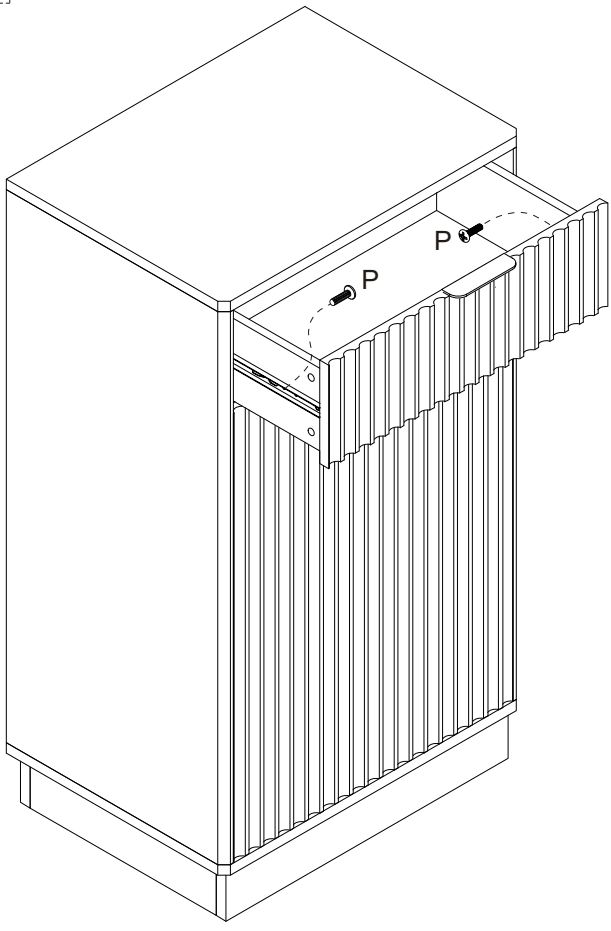
22



	Ax4
	Bx4
	Nx2
	Ox1



	Px2
---	-----



8

