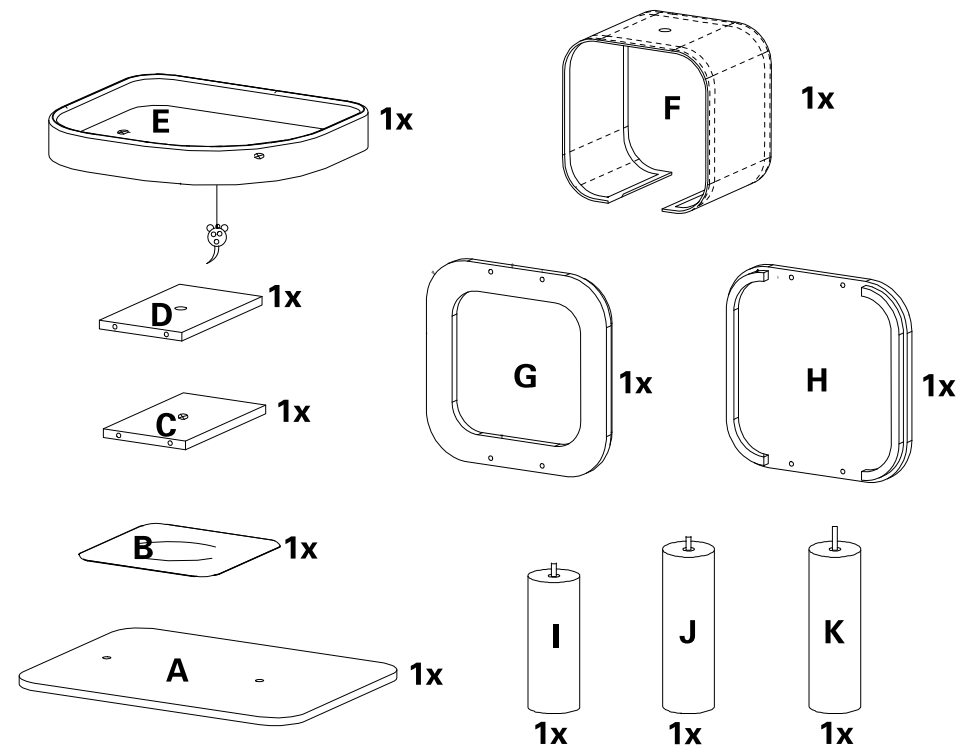
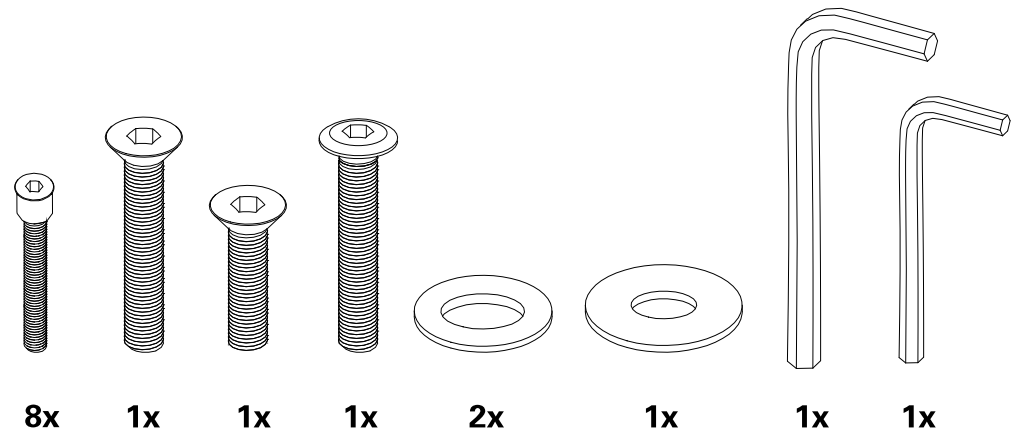
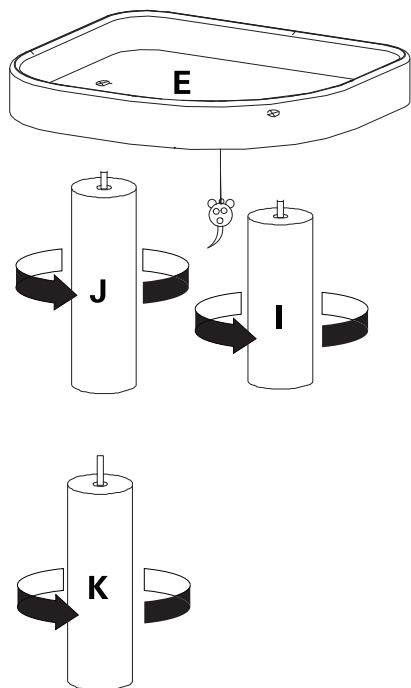


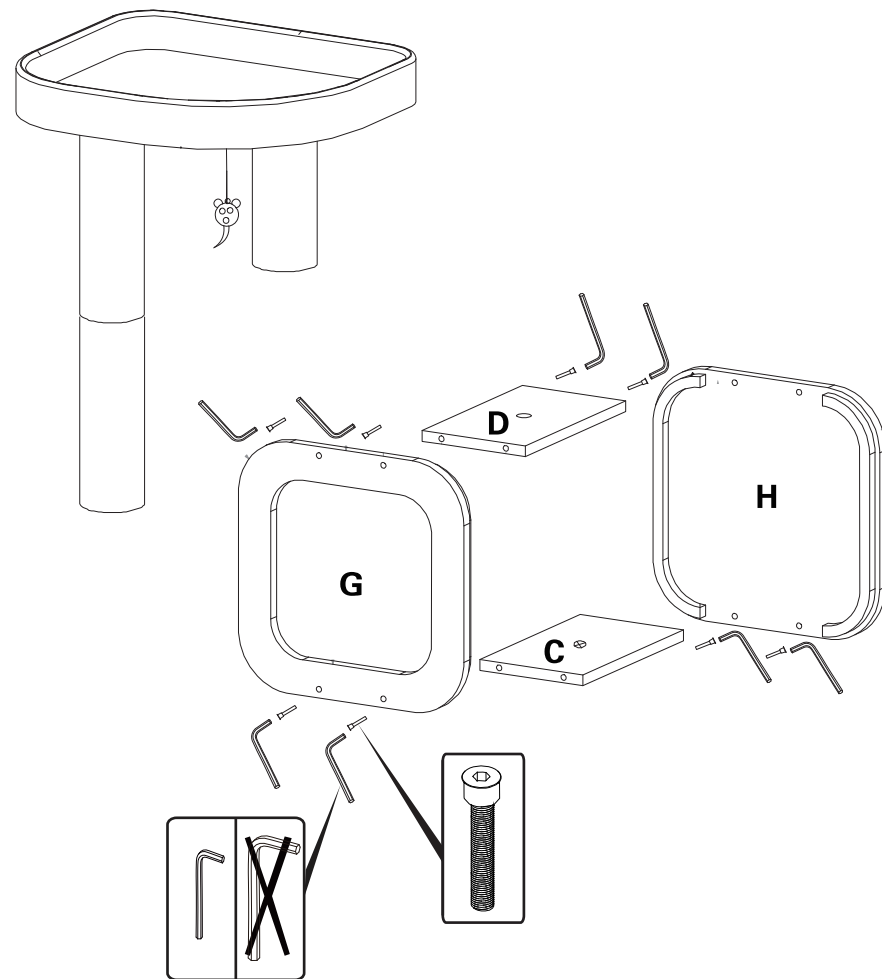
- 1>For additional stability, tight screws and posts as much as you can and place item against wall or corner.
- 2>Inspect product often and re-tight screws if necessary.
- 3>Supervise your pet the first time they use it.
- 4>**KEEP AWAY FROM CHILDREN TO AVOID ACCIDENT.**

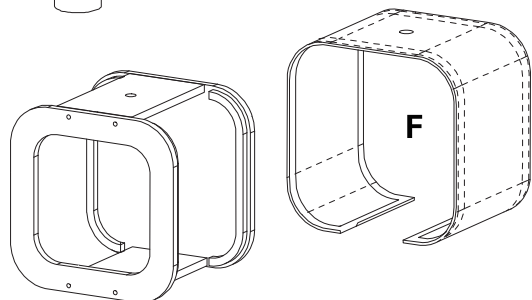
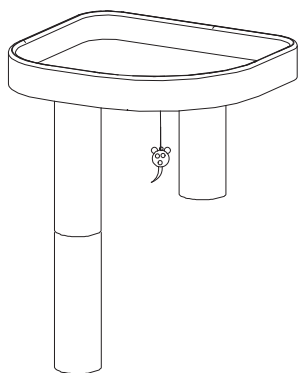
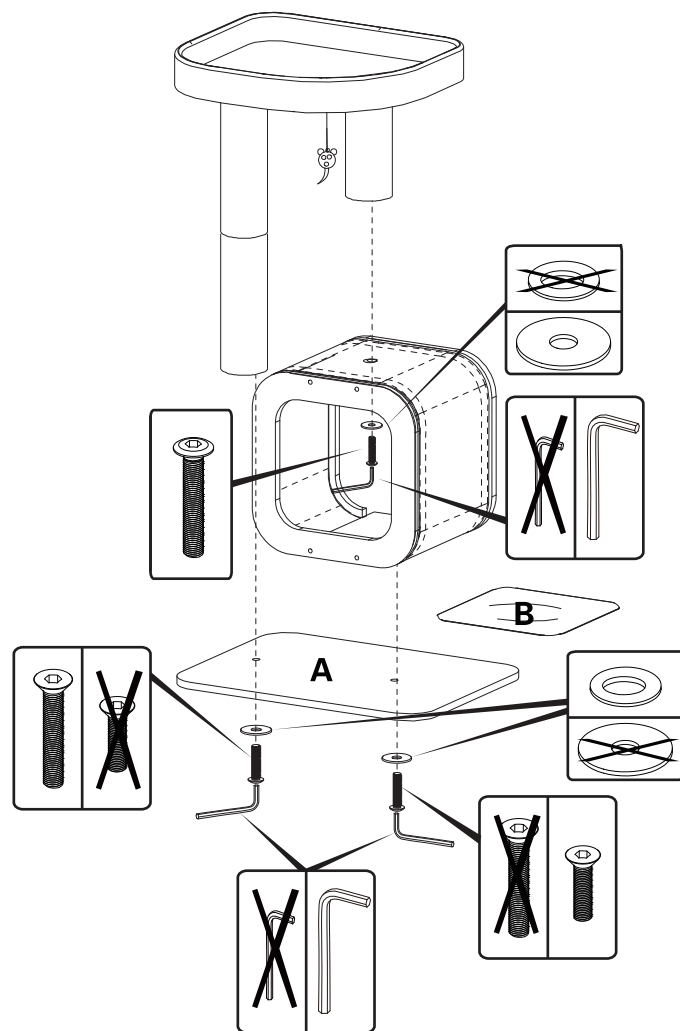


1



2



3**4****Warning:**

Lift the whole product to move around, do not slide
 Manufacturer and retailers are not responsible for any
 damaged-on floors and other places/ objects caused by
 improperly moving the product.

Cleaning Tips:

Please use lint roller

Vacuum gently small areas such as perch if necessary.

Avertissement:

Toujours soulever l'item pour le d é placer, ne pas glisser
 Le fabricant et le d é tailant ne sont pas responsable
 de tout dommage caus é par une mauvaise manipulation
 du produit

Conseils d'entretien:

Utiliser un rouleau adh é sif

Utiliser un aspirateur lorsque n é cessaire, tel que sur les perchoirs

¡Advertencia!

- Levante todo el producto para moverlo, no deslizar

- El fabricante y los minoristas (comercios) no son responsables del
 da ño al piso u otros lugares/productos causado por mover
 inapropiadamente el producto.

Consejos de limpieza:

-Por favor use rodillo de pelusa

- Aspire suavemente las á reas peque ñas como la percha si es
 necesario