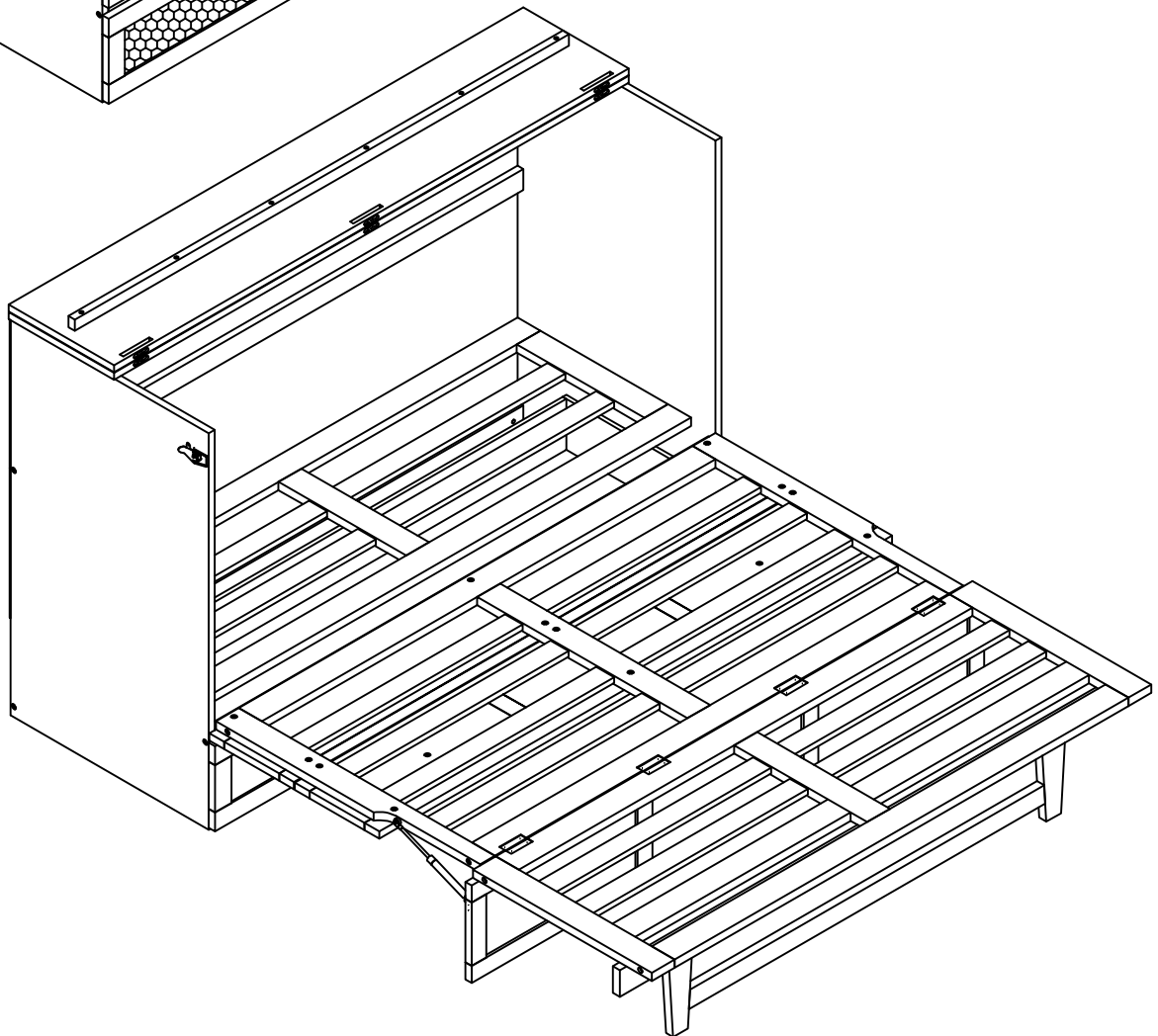
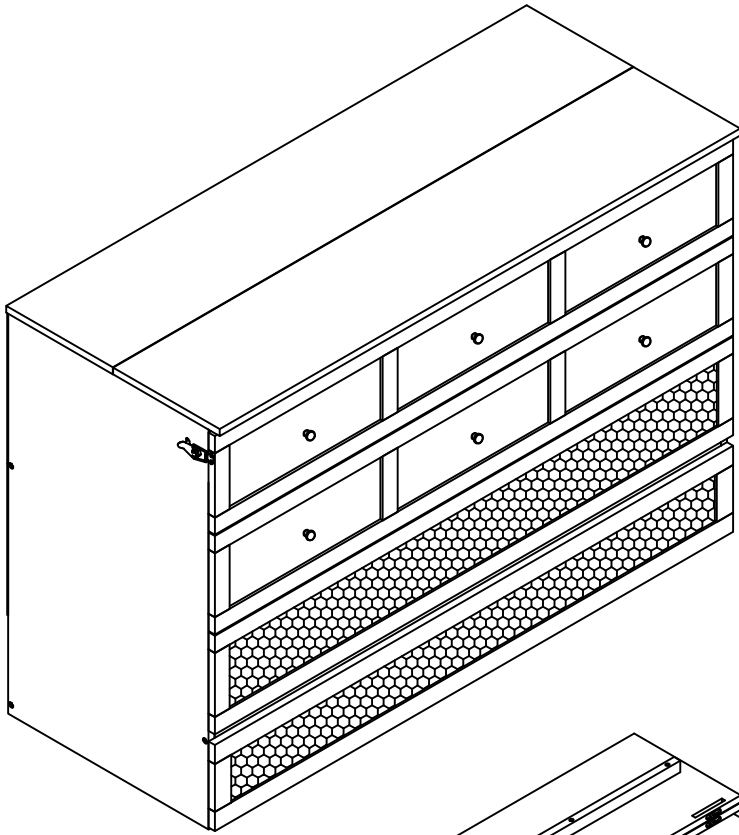
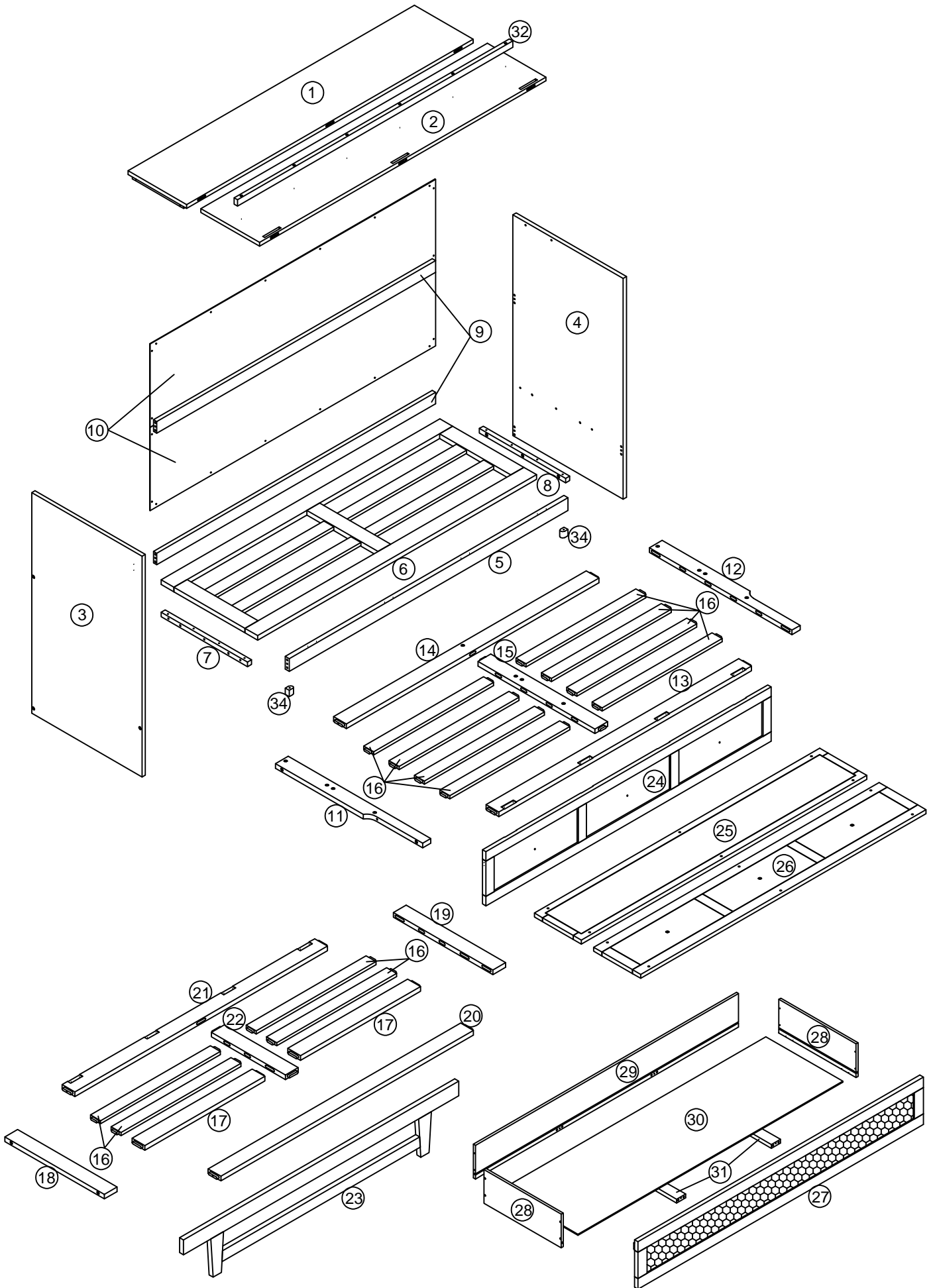


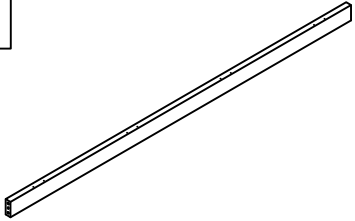
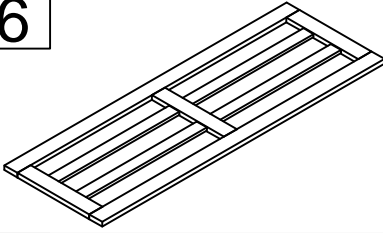
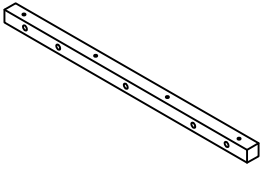
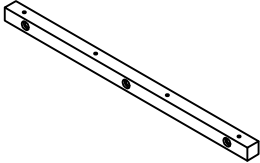
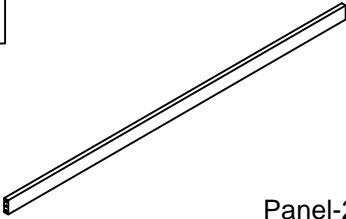
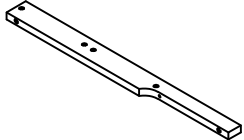
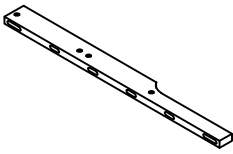
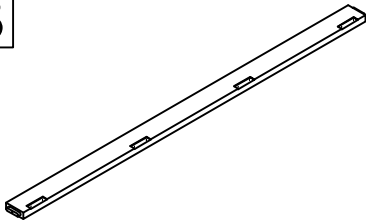
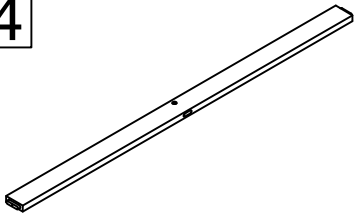
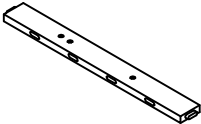
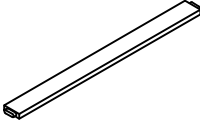
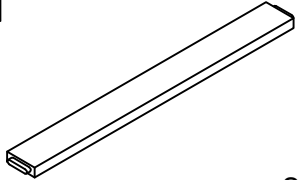
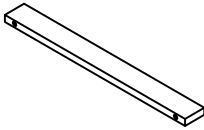
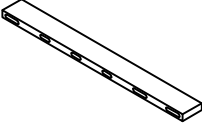
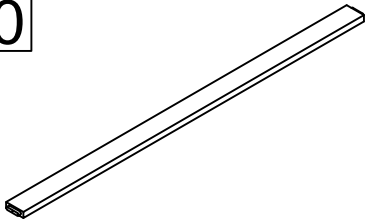
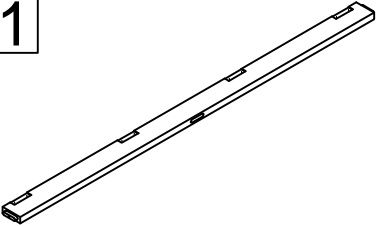
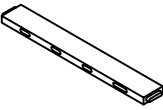
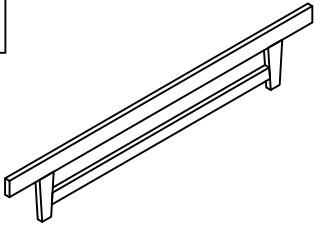
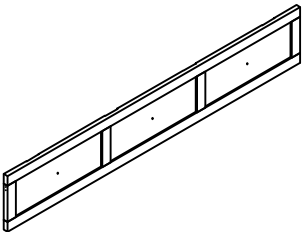
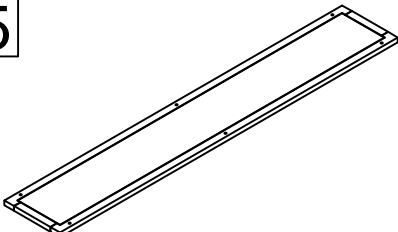
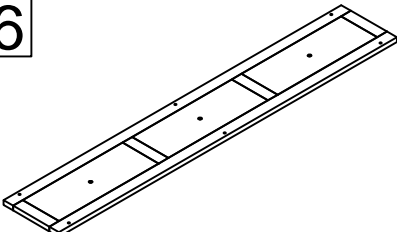
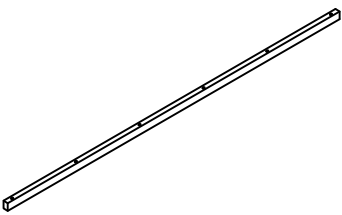
# ASSEMBLY INSTRUCTIONS



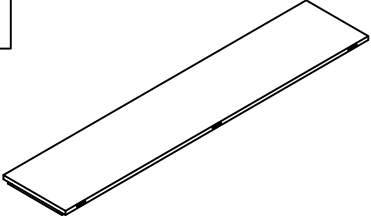
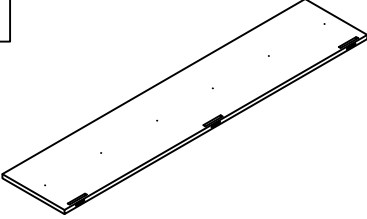
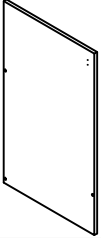
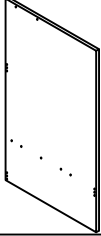
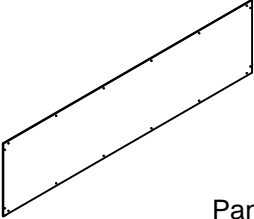
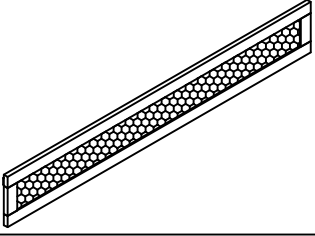
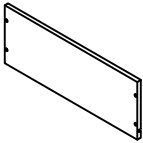
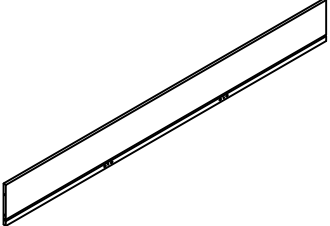
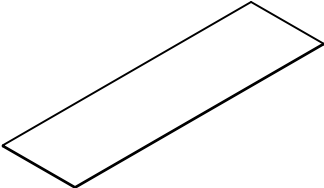
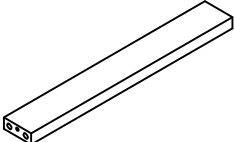
# Detail View



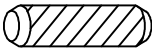
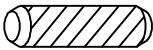


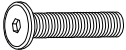
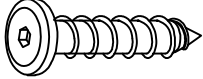


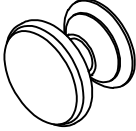

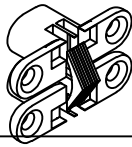
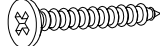


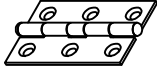
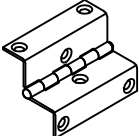


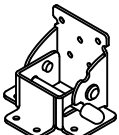
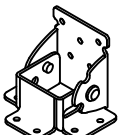

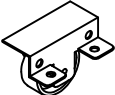


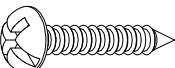
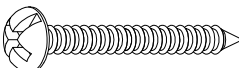

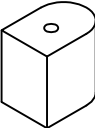
# Part Lists (Box 1-WF531898)

|   |  |   |
|---|--|---|
| <p>5</p>     | <p>6</p>                      | <p>7</p>                     |
| <p>8</p>     | <p>9</p>  <p>Panel-2pcs</p>   | <p>11</p>                    |
| <p>12</p>    | <p>13</p>                     | <p>14</p>                    |
| <p>15</p>   | <p>16</p>  <p>Slat-12pcs</p> | <p>17</p>  <p>Slat-2pcs</p> |
| <p>18</p>  | <p>19</p>                   | <p>20</p>                  |
| <p>21</p>  | <p>22</p>                   | <p>23</p>                  |
| <p>24</p>  | <p>25</p>                  | <p>26</p>                  |
| <p>32</p>  |  |   |

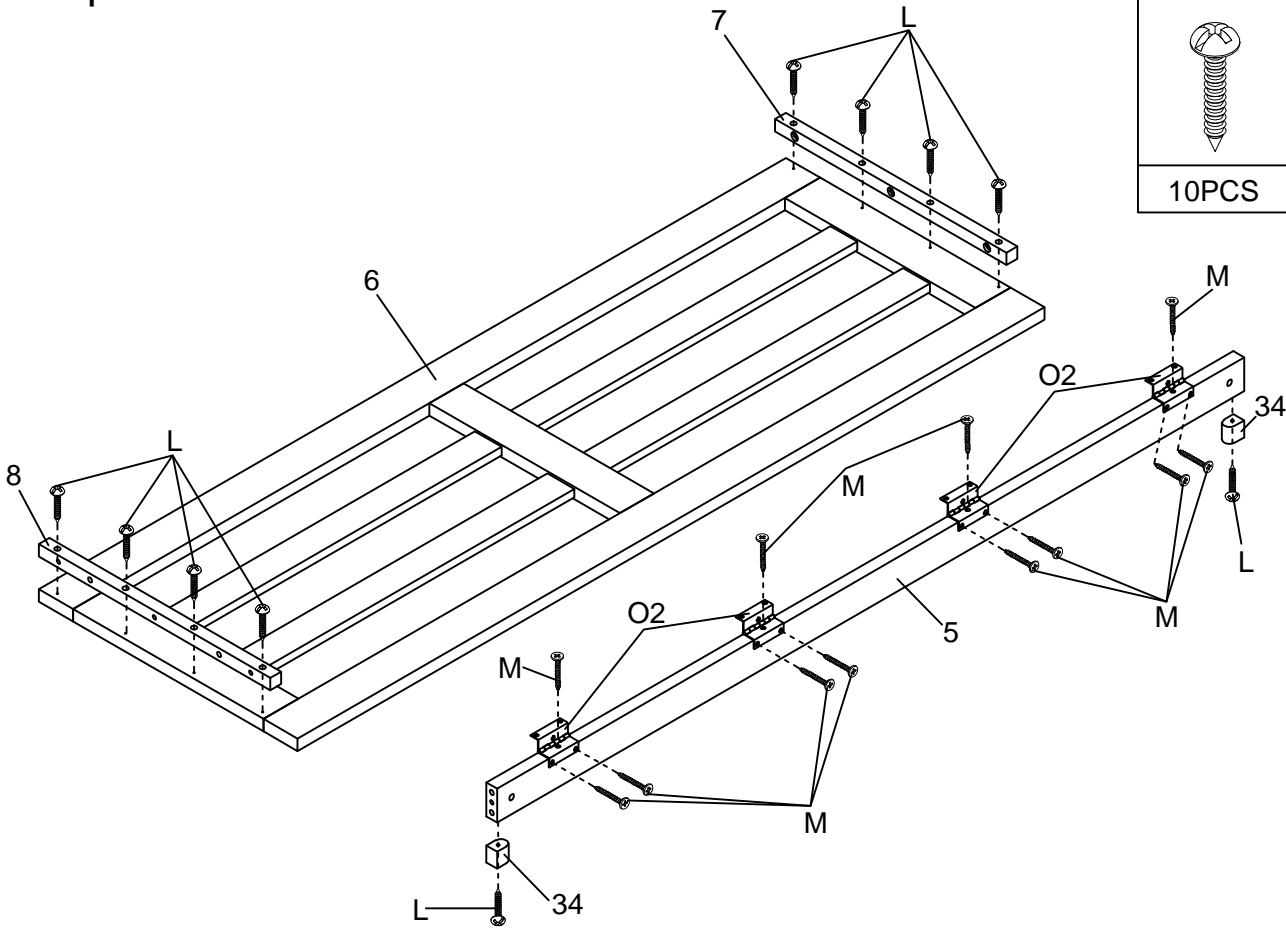
# Part Lists (Box 2-WF531899)


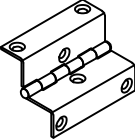

|   |  |  |
|---|--|--|
| <b>1</b><br>                 | <b>2</b><br>                | <b>3</b><br>  |
| <b>4</b><br>                 | <b>10</b><br><br>Panel-2pcs | <b>27</b><br> |
| <b>28</b><br><br>Panel-2pcs  | <b>29</b><br>               | <b>30</b><br> |
| <b>31</b><br><br>Panel-2pcs |  |  |
|   |  |  |
|   |  |  |
|   |  |  |
|   |  |  |

# Hardware Lists (Box-WF531899)

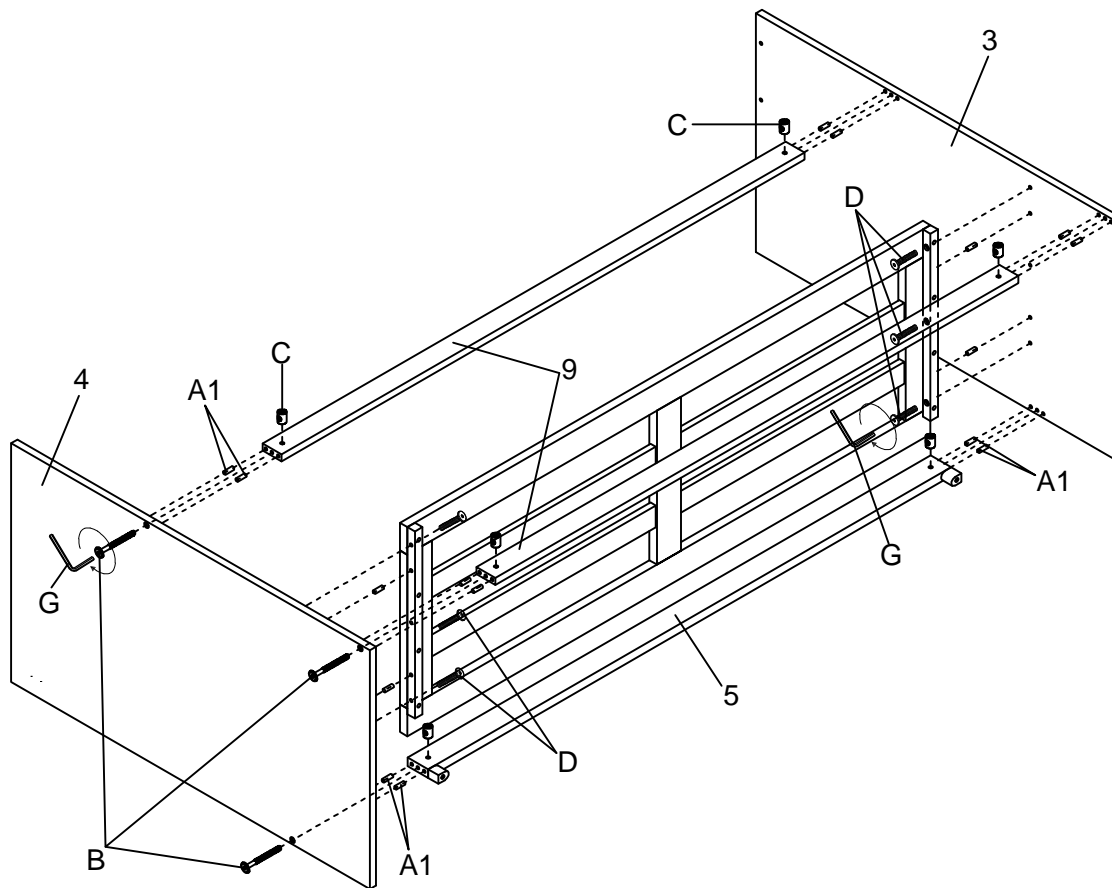
|  |  |  |
|--|--|--|
| <b>A1</b><br><br>Ø10*30mm<br>Wood dowel (16pcs)               | <b>A2</b><br><br>Ø8*20mm<br>Wood dowel (8pcs)         | <b>B</b><br><br>Ø1/4*60mm<br>Hex-Head bolt (6pcs)       |
| <b>C</b><br><br>Ø1/4"*9.5*12mm<br>Horizontal-Hole bolt (6pcs) | <b>D</b><br><br>Ø1/4*30mm<br>Hex-Head bolt (24pcs)    | <b>E</b><br><br>Ø6*60mm<br>Hex-Head screw (2pcs)        |
| <b>F</b><br><br>Ø6*90mm<br>Hex-Head screw (6pcs)              | <b>G</b><br><br>K4mm<br>Allen key (2pcs)              | <b>H</b><br><br>Knob (6pcs)                             |
| <b>I</b><br><br>M5/32*22mm<br>Bolt (6pcs)                     | <b>J</b><br><br>Cross Hinge (3pcs)                    | <b>K</b><br><br>Ø3.5*20mm<br>Wood screws (12pcs)        |
| <b>L</b><br><br>Ø4*35mm<br>Wood screws (15pcs)              | <b>M</b><br><br>Ø3.5*15mm<br>Wood screws (80pcs)    | <b>N1</b><br><br>Hinge Leaf (8pcs)                    |
| <b>N2</b><br><br>Hinge Leaf (4pcs)                          | <b>O</b><br><br>Ø3.5*15mm<br>Wood screws (54pcs)    | <b>P</b><br><br>Ø17,Ø6.5*5mm<br>Plastic Temple (2pcs) |
| <b>Q1</b><br><br>90 DEGREE HINGES WITH LOCK (1pc)           | <b>Q2</b><br><br>90 DEGREE HINGES DO NOT LOCK (1pc) | <b>R</b><br><br>Ø15*280mm<br>Ty Slightly (2pcs)       |
| <b>S</b><br><br>Drawer Wheels (4pcs)                        | <b>T</b><br><br>Ø3*10mm<br>Wood screws (8pcs)       | <b>U</b><br><br>Duckle Lock (2pcs)                    |
| <b>V</b><br><br>Ø4*25mm<br>Wood screws (8pcs)               | <b>W</b><br><br>Ø4*50mm<br>Wood screws (4pcs)       | <b>X</b><br><br>Ø9.5*10mm<br>Plastic Canopy (4pcs)    |
| <b>34</b><br><br>Wood (2pcs)                                |  |  |



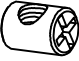

# Step 1



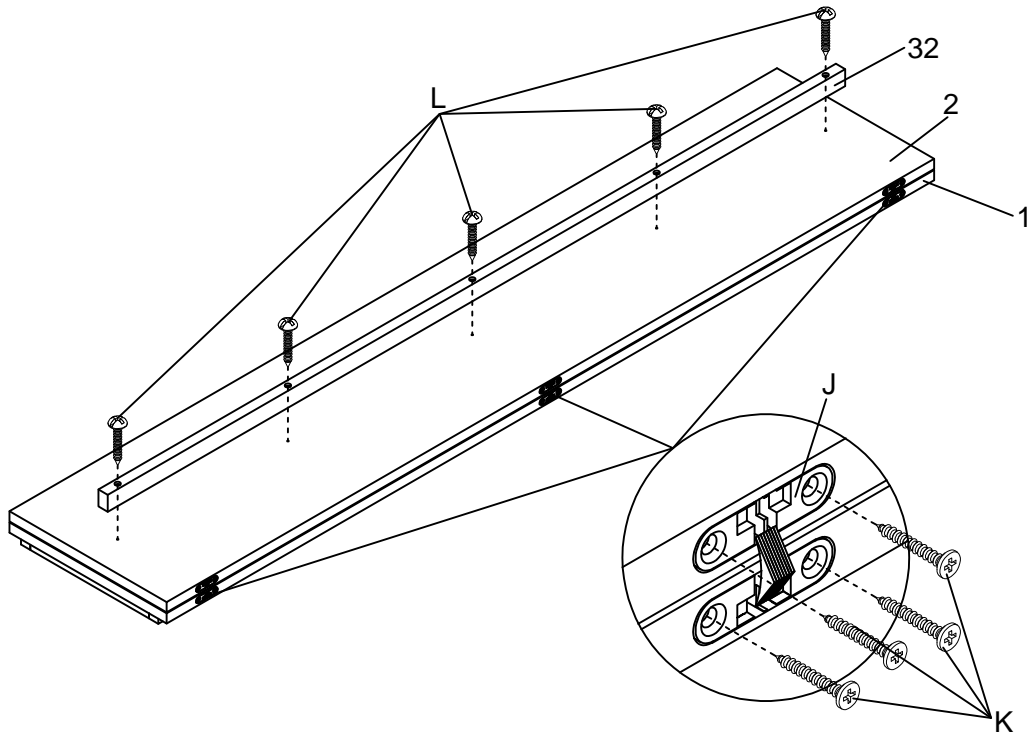
|   |   |
|---|---|
| <b>L</b>  | <b>N2</b>   |
|  |  |
| 10PCS   | 4PCS  |
| <b>M</b>  |   |
|  |   |
| 12PCS   |   |




# Step 2



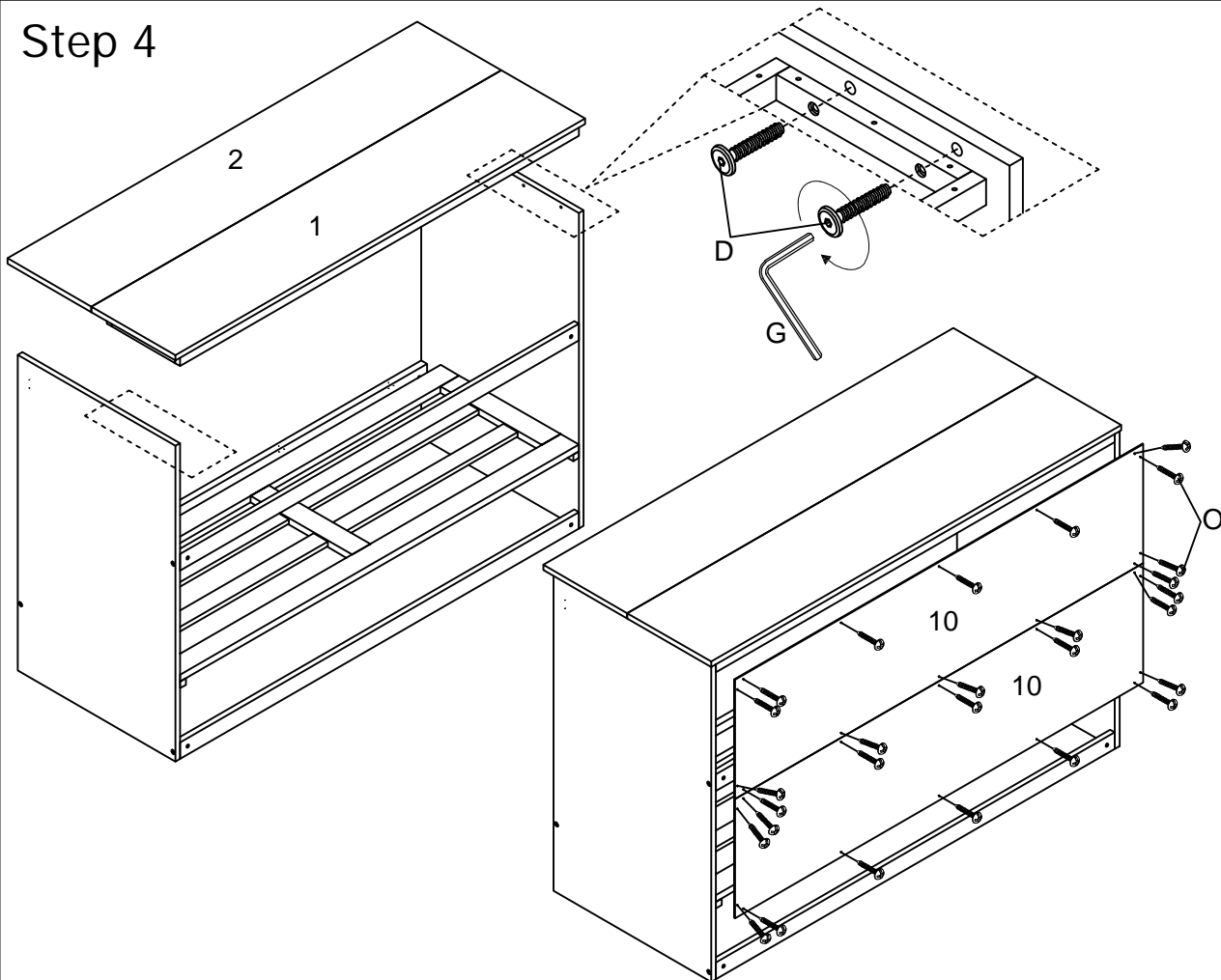
|   |   |
|---|---|
| <b>A1</b>   | <b>B</b>  |
|  |  |
| 16PCS   | 6PCS  |
| <b>C</b>  |   |
|  |   |
| 6PCS  |   |
| <b>D</b>  |   |
|  |   |
| 6PCS  |   |

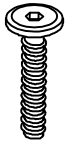

# Step 3



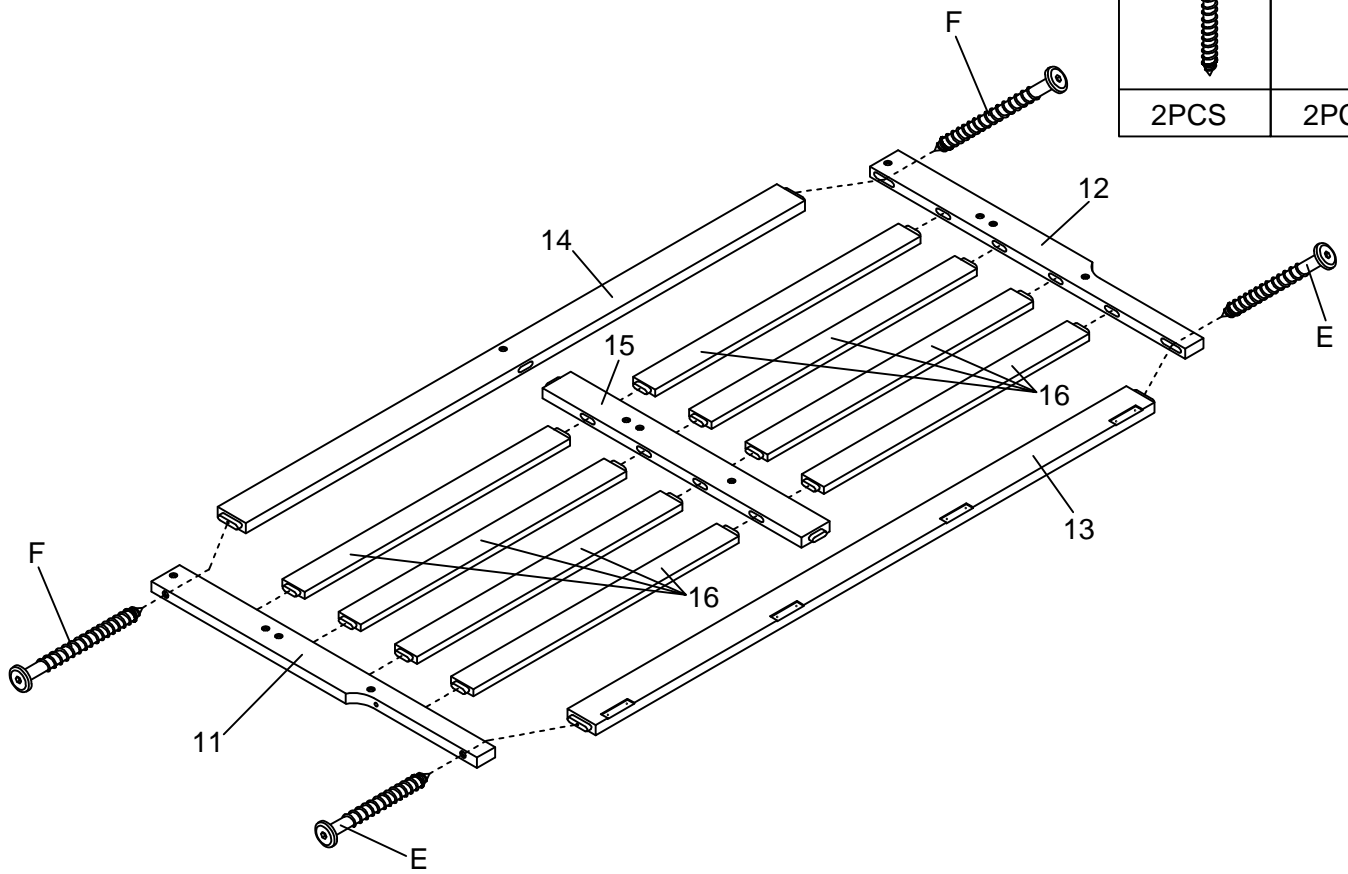
|   |   |
|---|---|
| <b>J</b>  | <b>K</b>  |
|  |  |
| 3PCS  | 12PCS   |
| <b>L</b>  |   |
|  |   |
| 5PCS  |   |



# Step 4



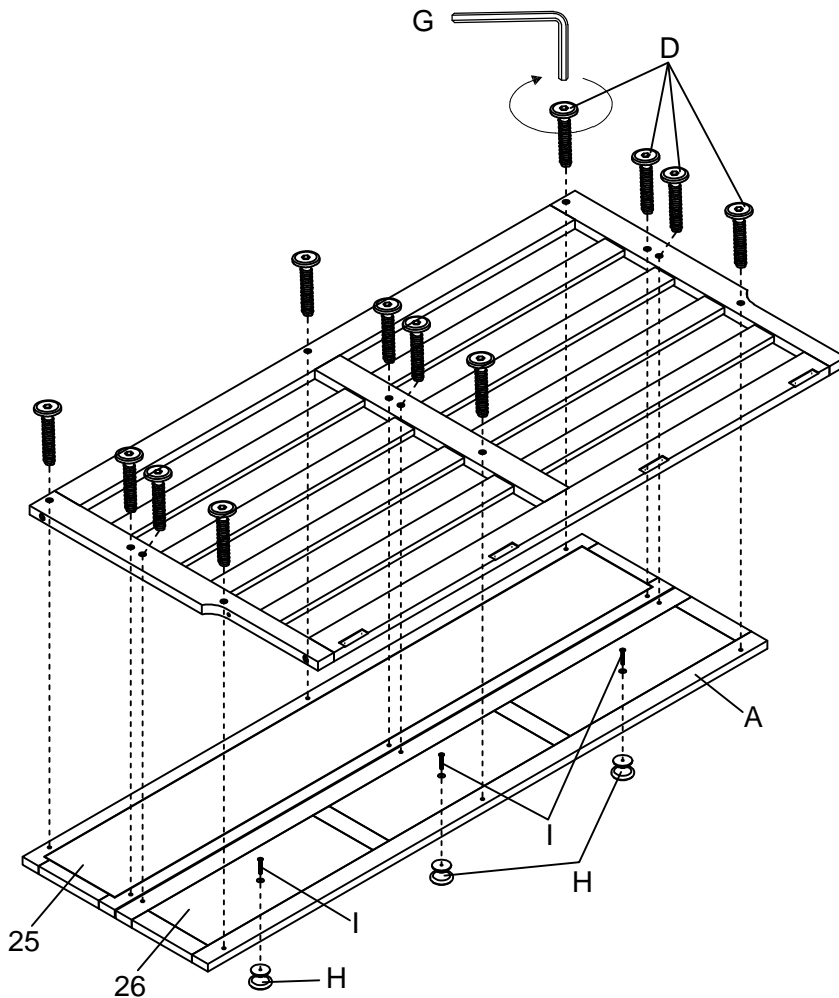
|   |
|---|
| <b>D</b>  |
|  |
| 4PCS  |
| <b>O</b>  |
|  |
| 28PCS   |

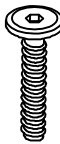

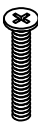
# Step 5



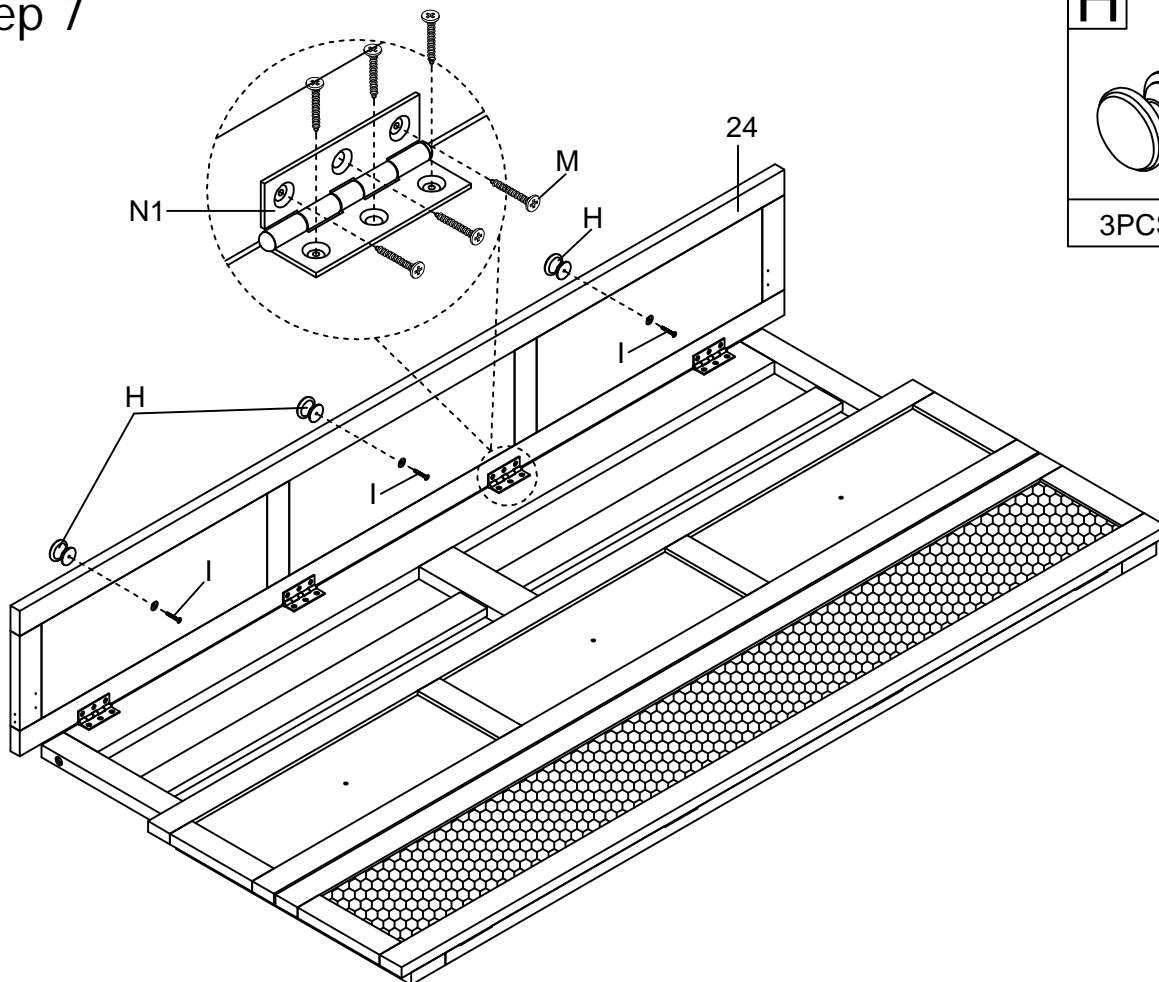
|   |   |
|---|---|
| <b>E</b>  | <b>F</b>  |
|  |  |
| 2PCS  | 2PCS  |


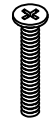
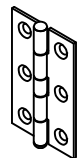

# Step 6



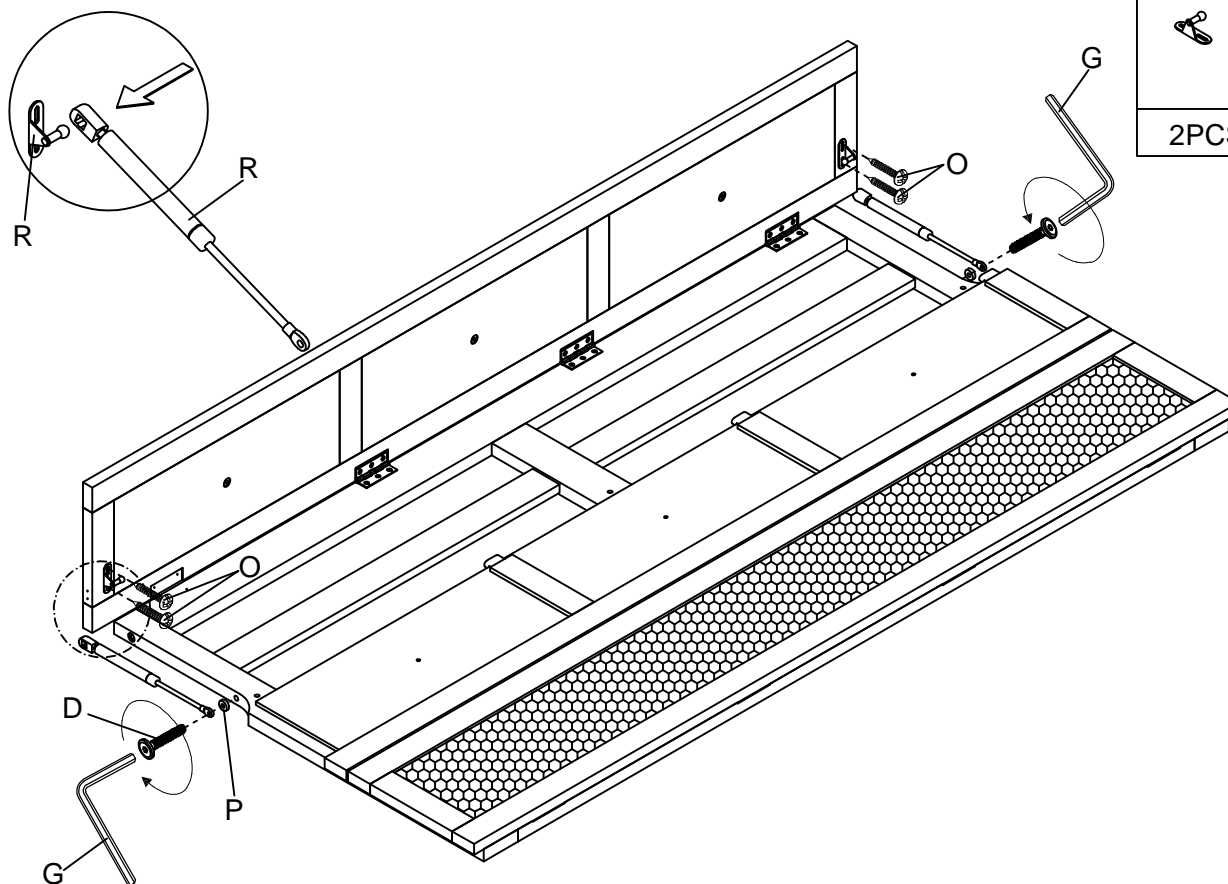
|   |   |
|---|---|
| <b>D</b>  | <b>H</b>  |
|  |  |
| 12PCS   | 3PCS  |
|   | <b>I</b>  |
|   |  |
|   | 3PCS  |


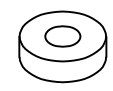
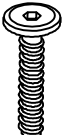
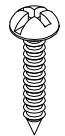
# Step 7



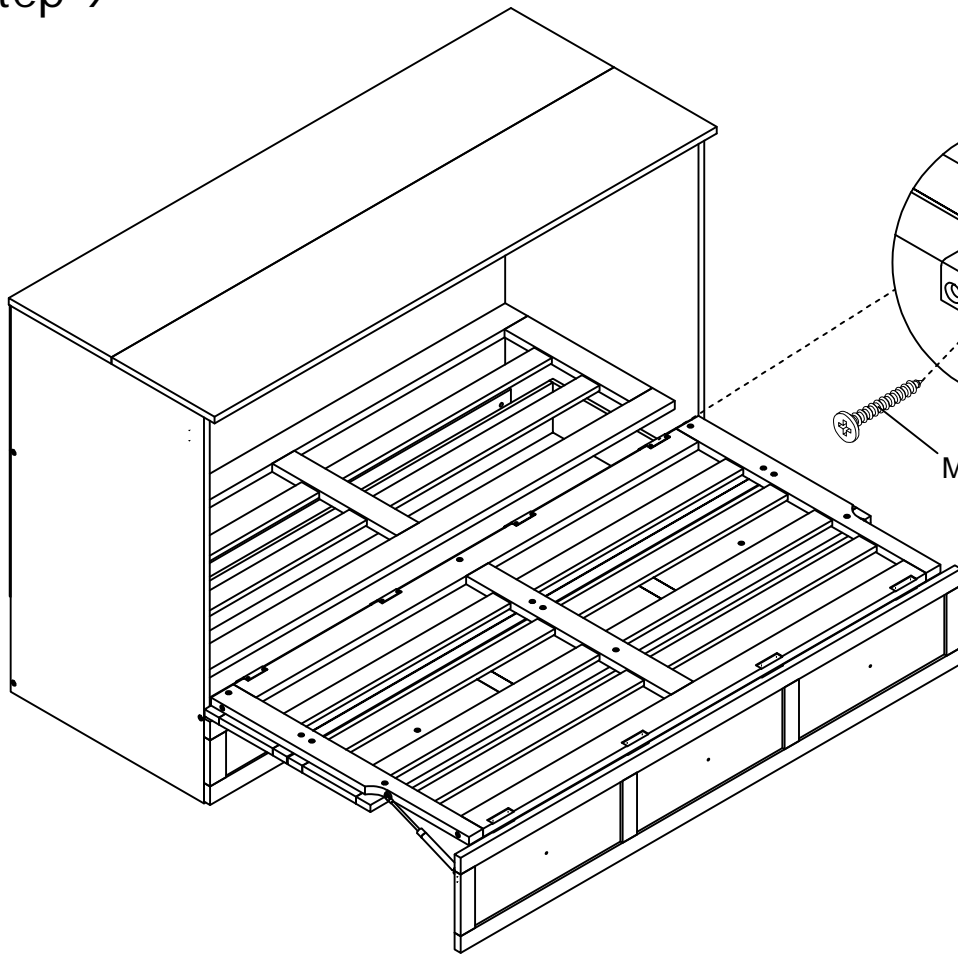
|           |   |   |   |
|-----------|---|---|---|
| <b>H</b>  |  | <b>I</b>  |  |
|           | 3PCS  |   | 3PCS  |
| <b>N1</b> |   |  |   |
|           |   | 4PCS  |   |
| <b>M</b>  |   |  |   |
|           |   | 24PCS   |   |

# Step 8



|          |   |   |   |
|----------|---|---|---|
| <b>R</b> |  | <b>P</b>  |  |
|          | 2PCS  |   | 2PCS  |
| <b>D</b> |   |  |   |
|          |   | 2PCS  |   |
| <b>O</b> |   |  |   |
|          |   | 4PCS  |   |

# Step 9

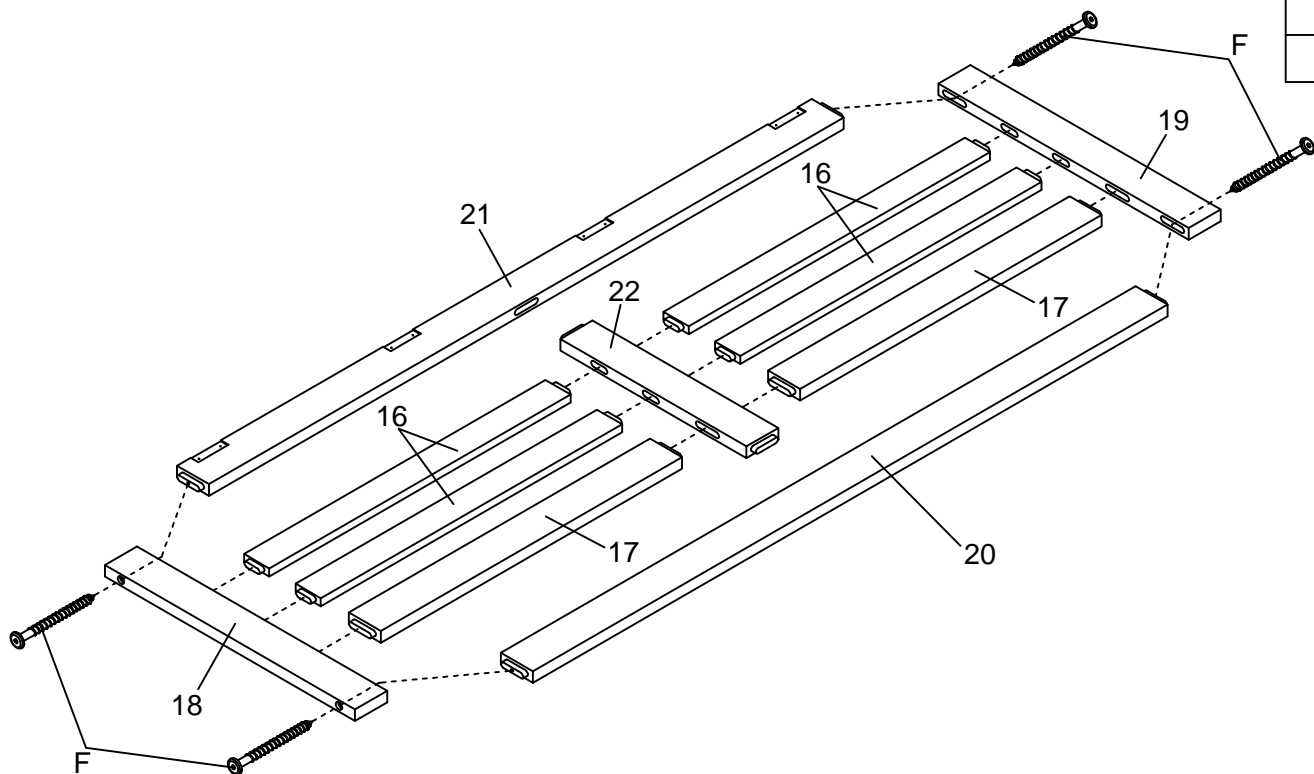


**M**



12PCS

# Step 10

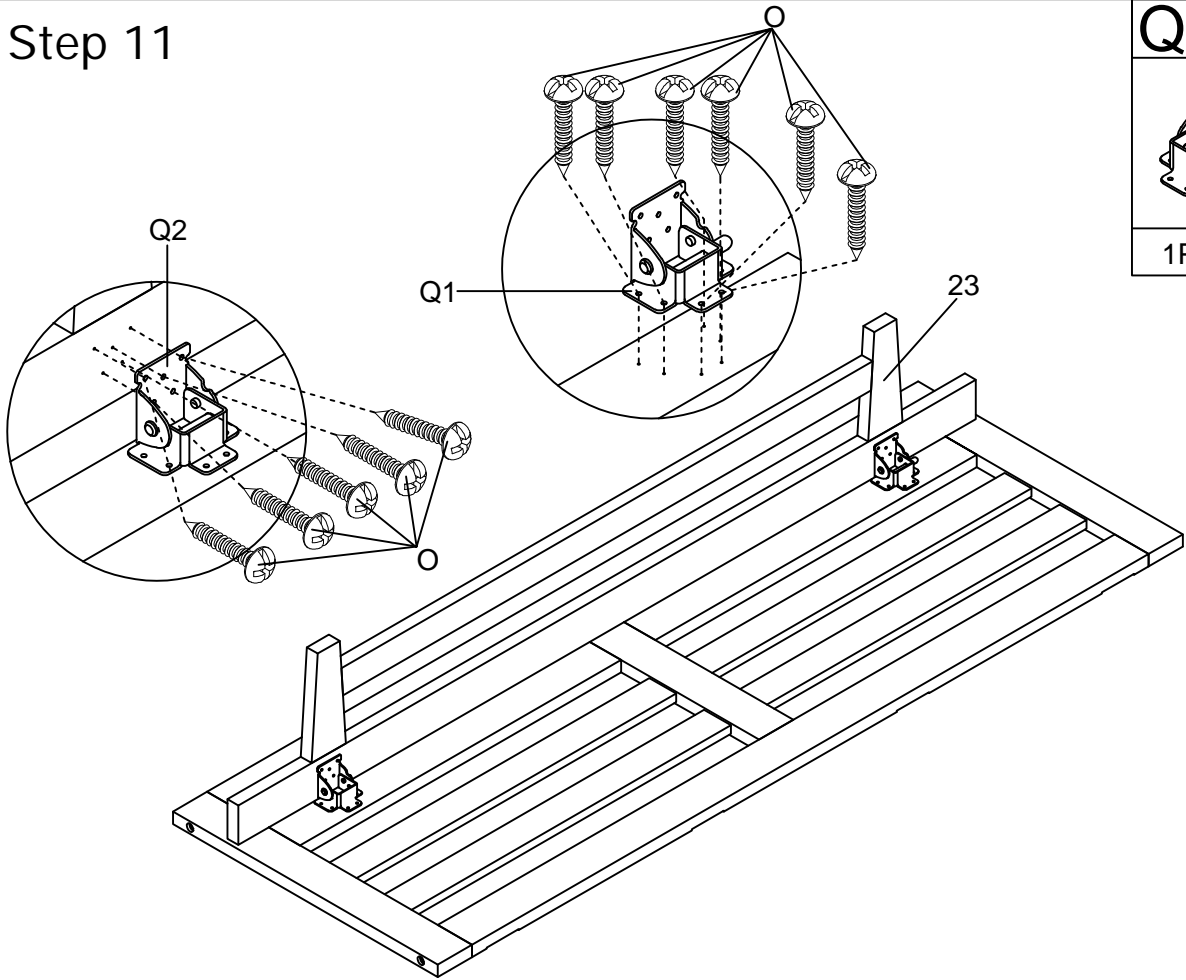


**F**



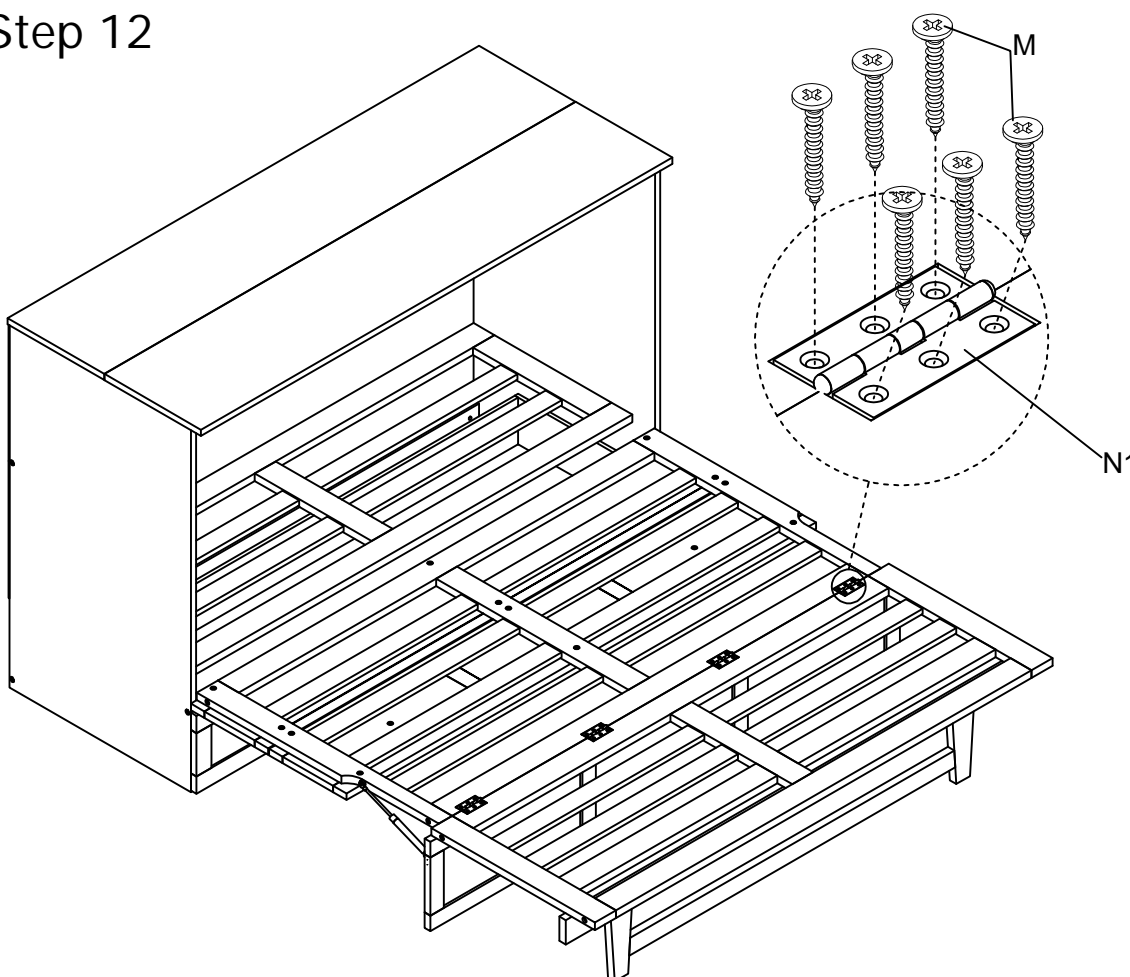
4PCS

# Step 11



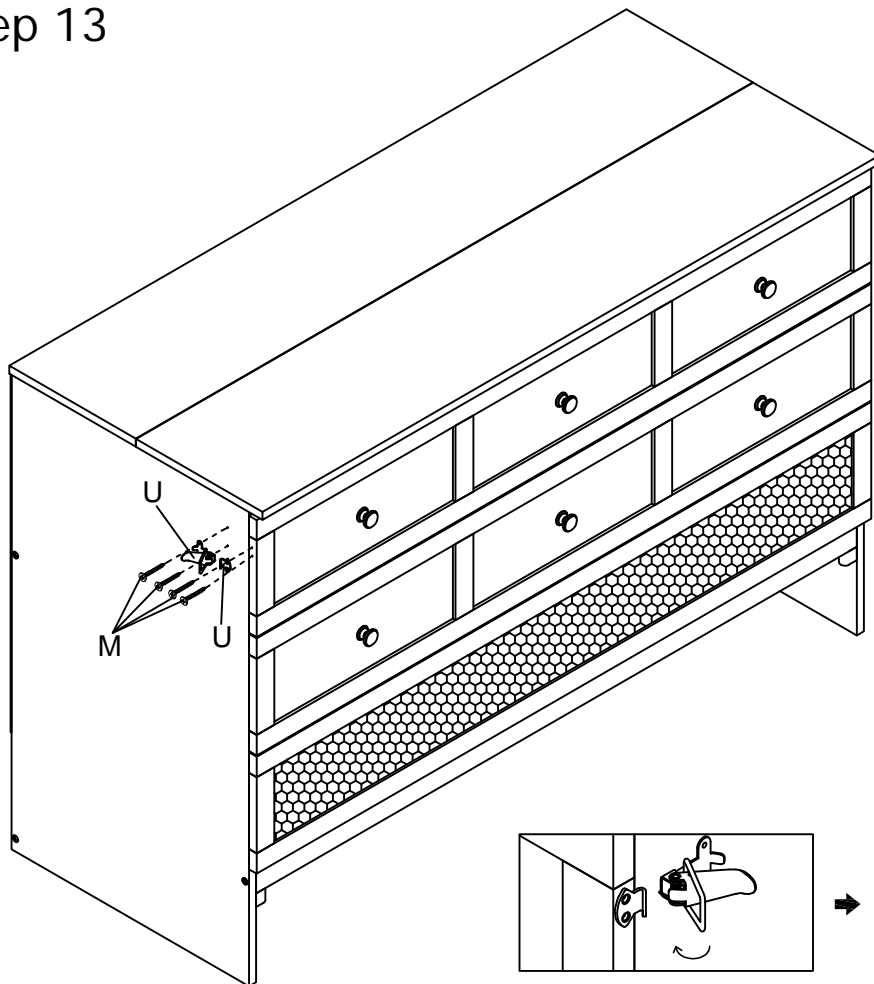
|           |           |
|-----------|-----------|
| <b>Q1</b> | <b>Q2</b> |
|           |           |
| 1PC       | 1PC       |
| <b>O</b>  |           |
|           |           |
| 22PCS     |           |

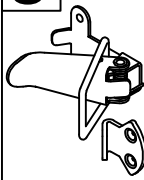

# Step 12

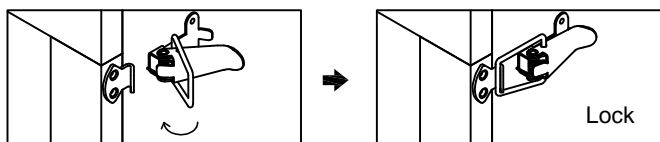


|           |
|-----------|
| <b>N1</b> |
|           |
| 4PCS      |
| <b>M</b>  |
|           |
| 24PCS     |

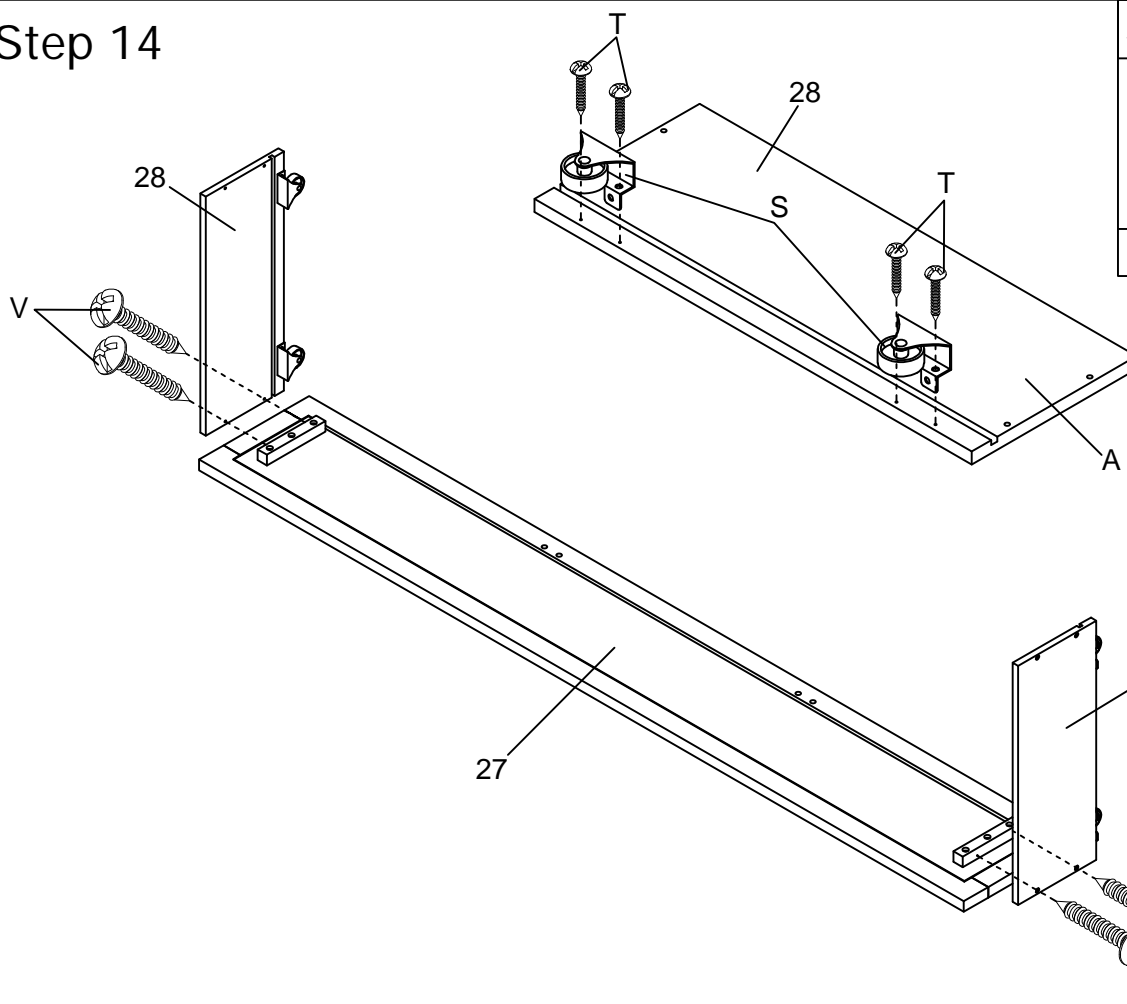
# Step 13

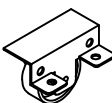
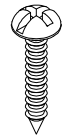



|   |   |
|---|---|
| <b>U</b>  | <b>M</b>  |
|  |  |
| 2PCS  | 8PCS  |

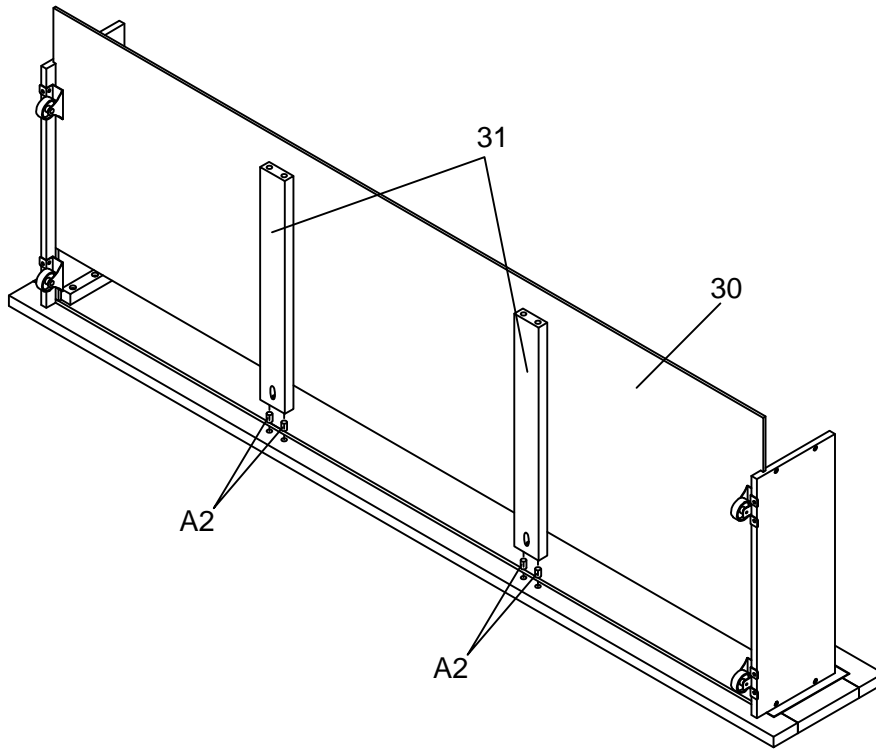


# Step 14



|   |   |
|---|---|
| <b>S</b>  | <b>T</b>  |
|  |  |
| 4PCS  | 8PCS  |
|   | <b>V</b>  |
|   |  |
|   | 4PCS  |

# Step 15

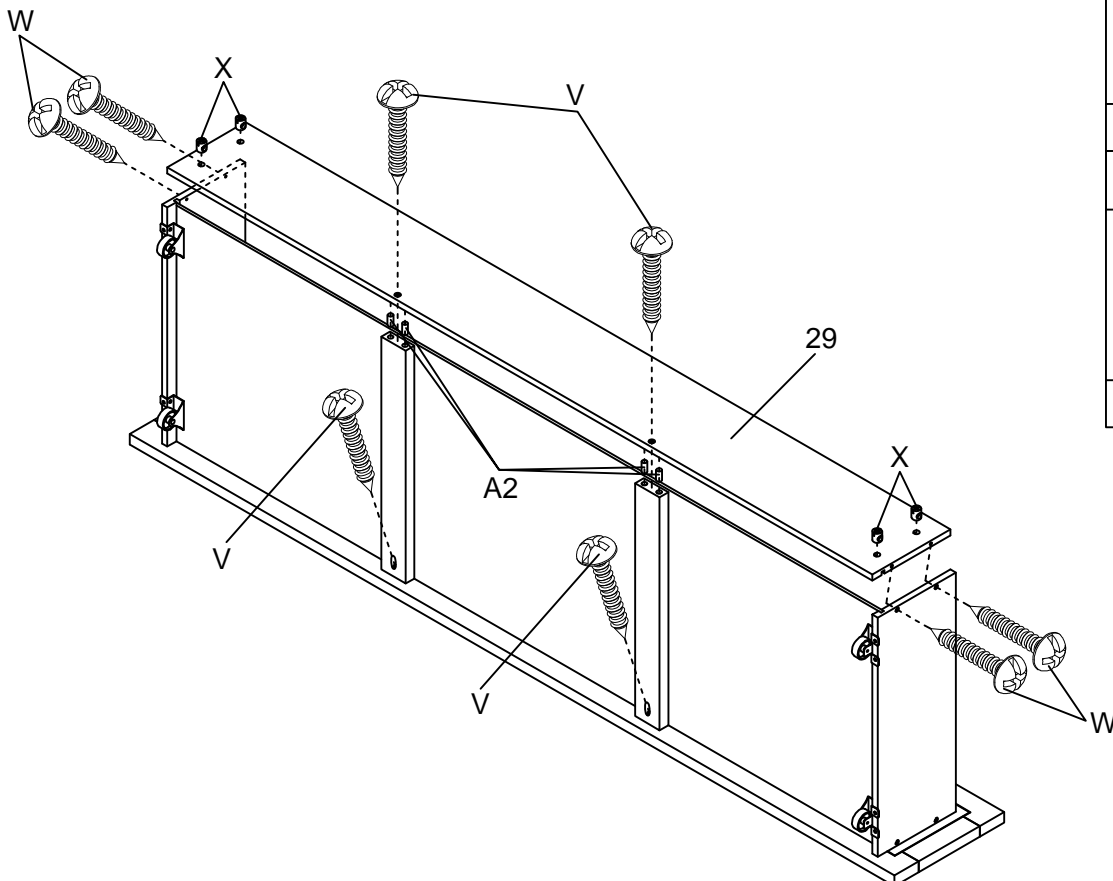


A2



4PCS

# Step 16



A2



4PCS

X



4PCS

V



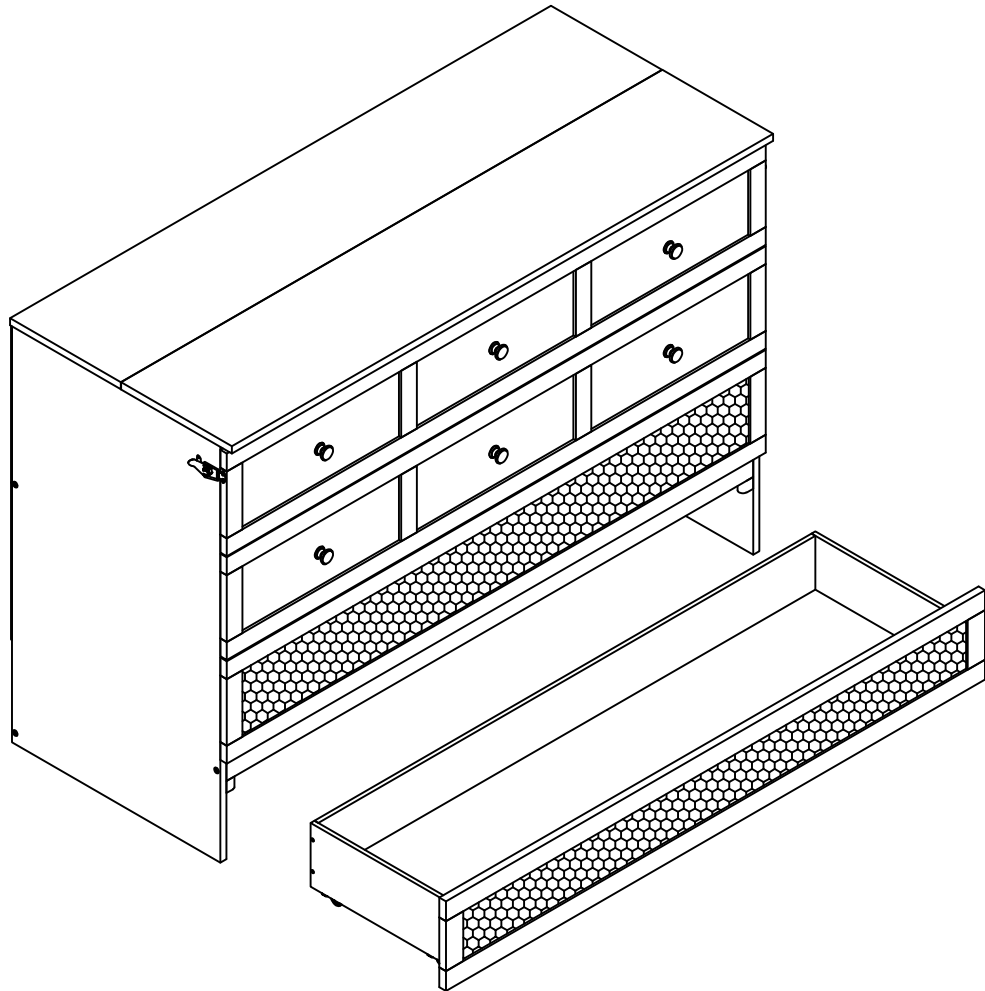
4PCS

W

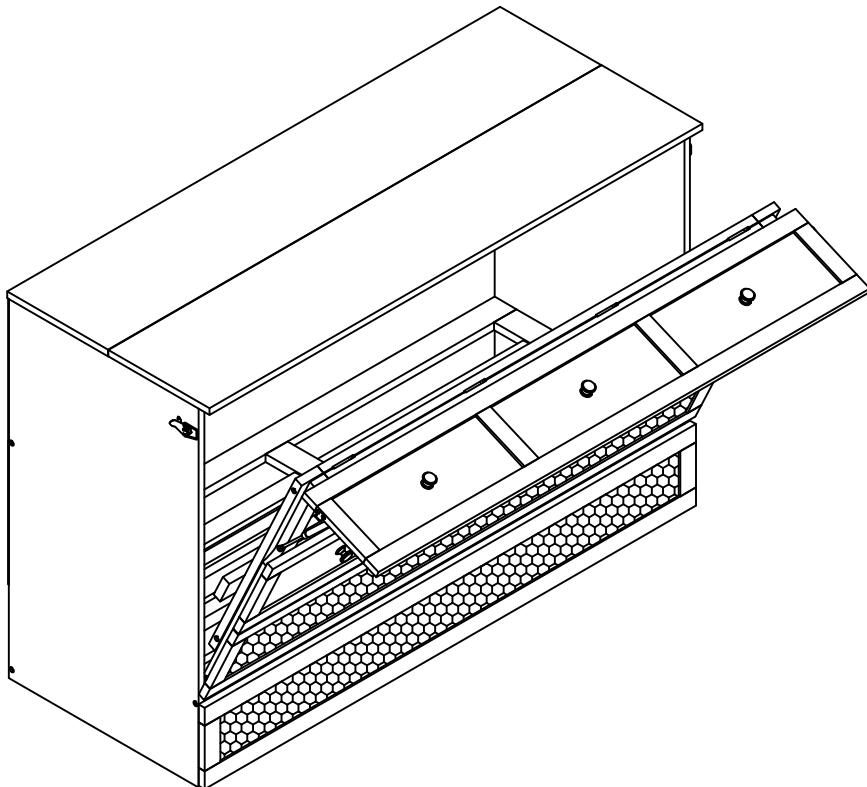
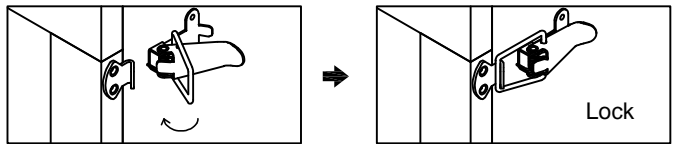


4PCS

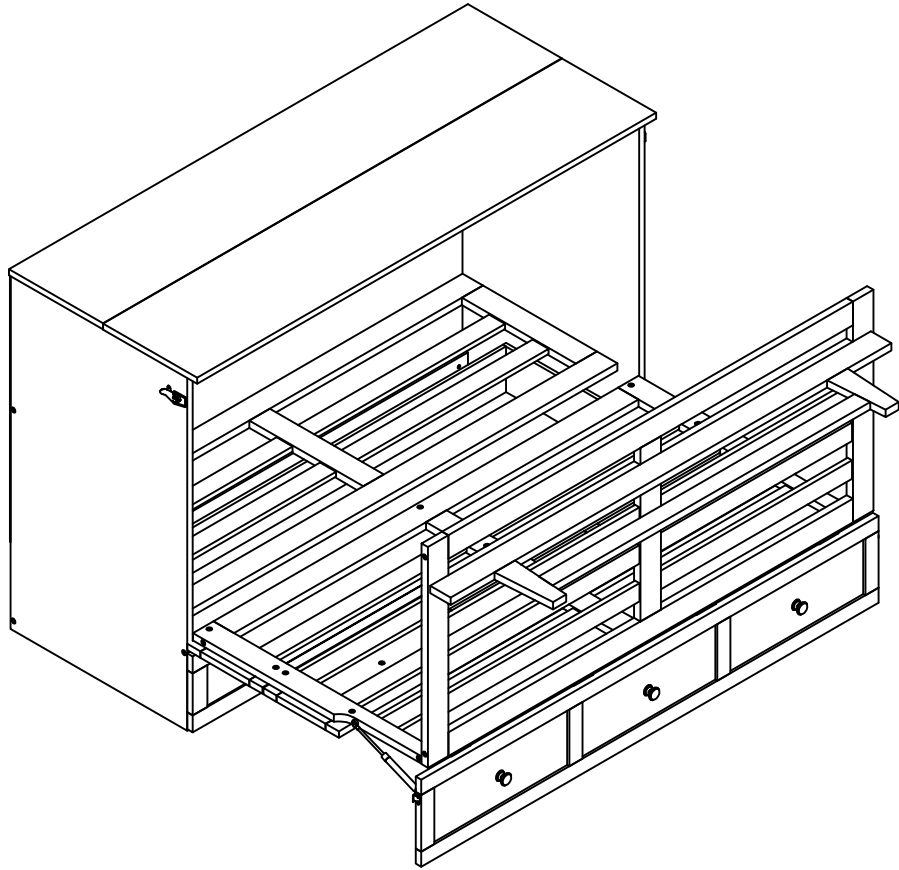
# Step 17



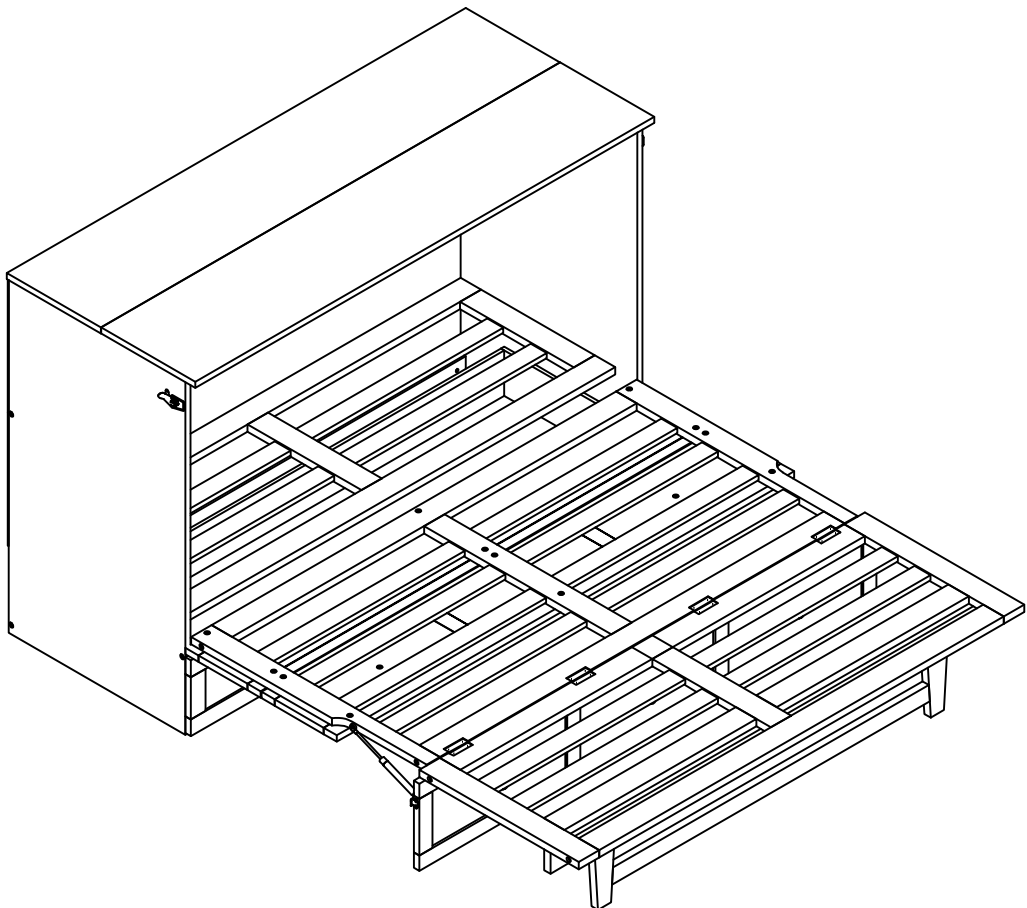
# Step 18



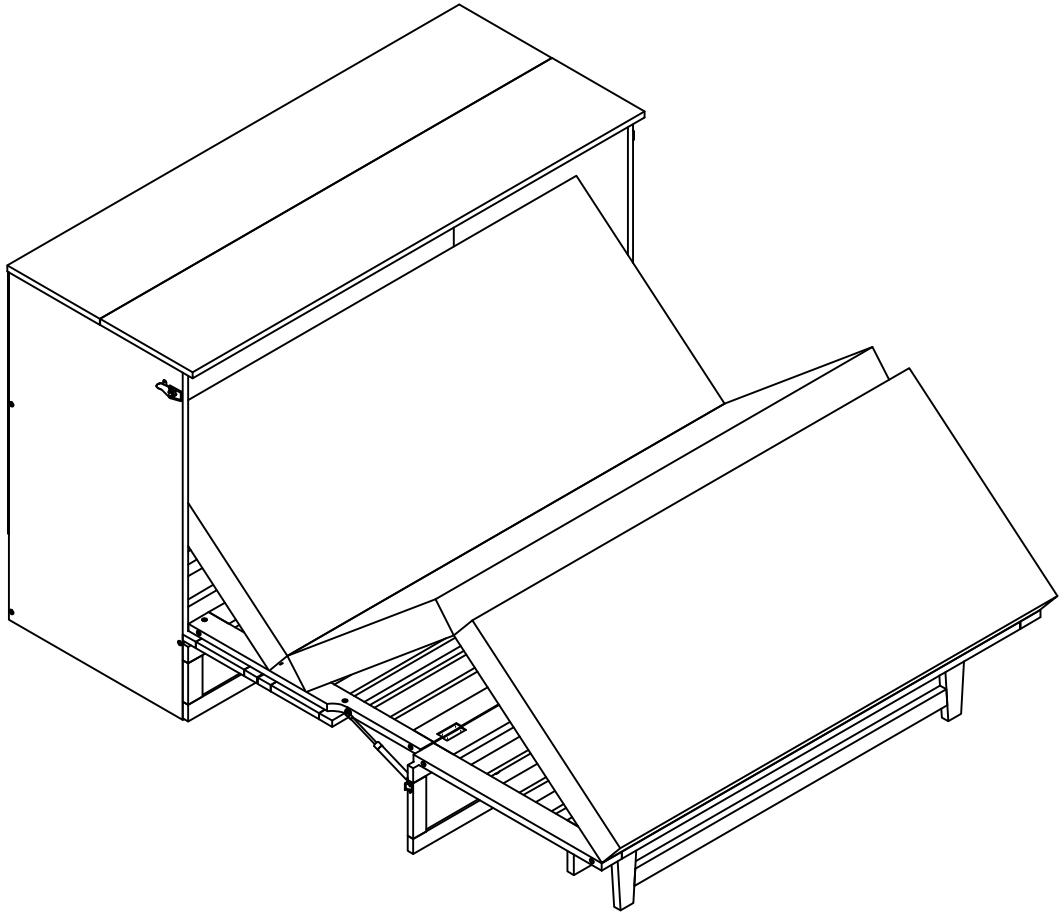
## Step 19



## Step 20



Step 21



Step 22

