


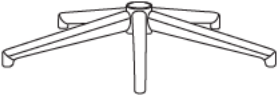






Assembly Manual

Counter & Bar Height Swivel Stool



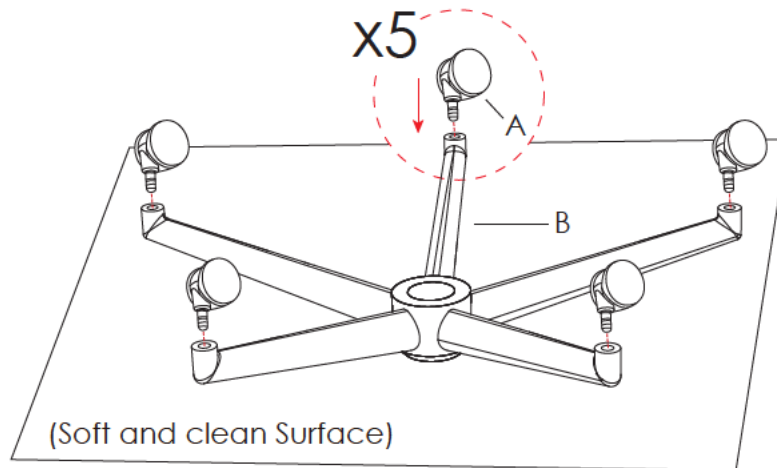
CAUTION

THIS ASSEMBLY MANUAL CONTAINS IMPORTANT SAFETY INFORMATION.
PLEASE READ AND KEEP FOR FUTURE REFERENCE.

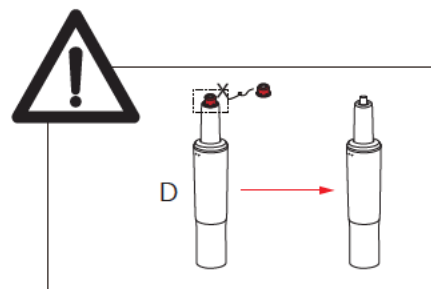
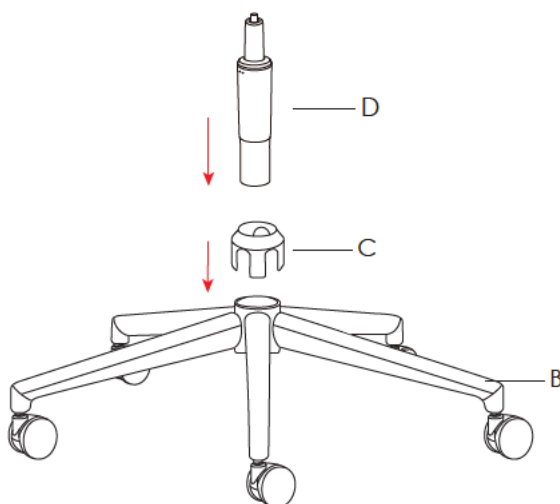
Ax5 	Bx1 	Cx1 
Dx1 	Ex1 	F x1 
H1 x4 	T1 x1 	

Wayfair

- 1 (1) The STAR BASE (B) is located in soft pack underneath the SEAT BUCKET (F). Carefully remove the STAR BASE(B) from the carton.
(2) Insert the CASTERS (A) in the holes of the STAR BASE (B).



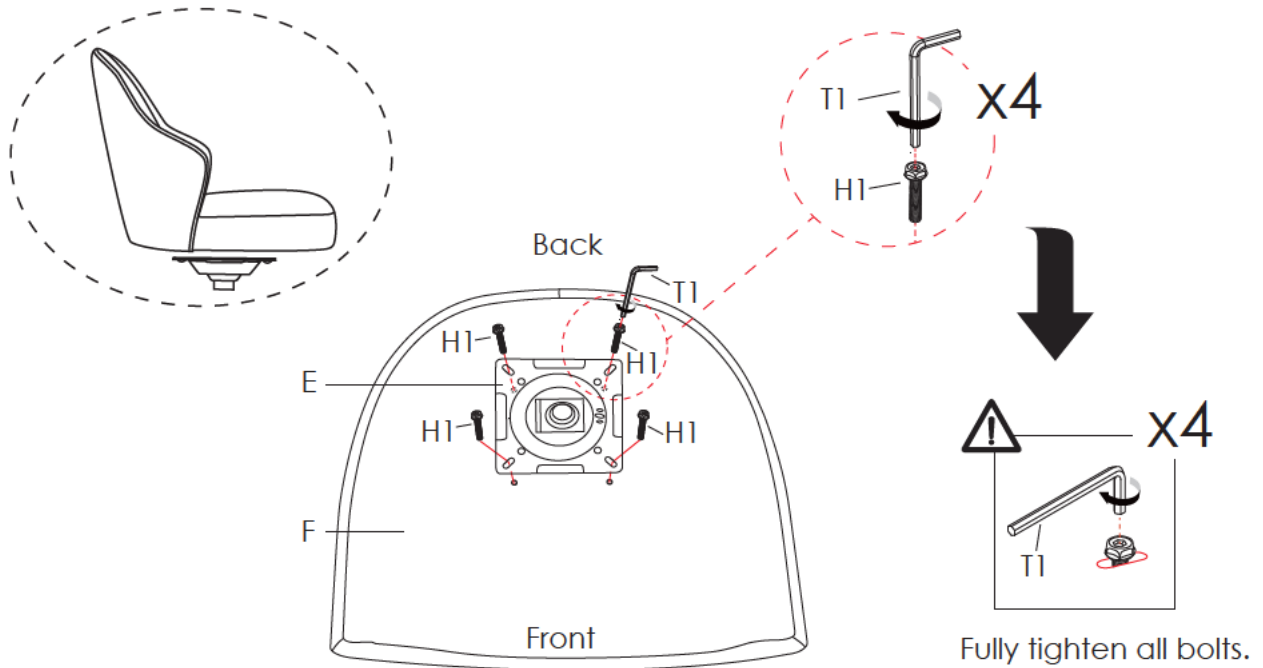
- 2 (1) Remove the top red cap from the Gas Lift (D) before assembling.
(2) Slide the METAL COVER (C) over the top of STAR BASE (B).
(3) Insert the Gas Lift (D) into the center hole of the 5 Star Base (B).



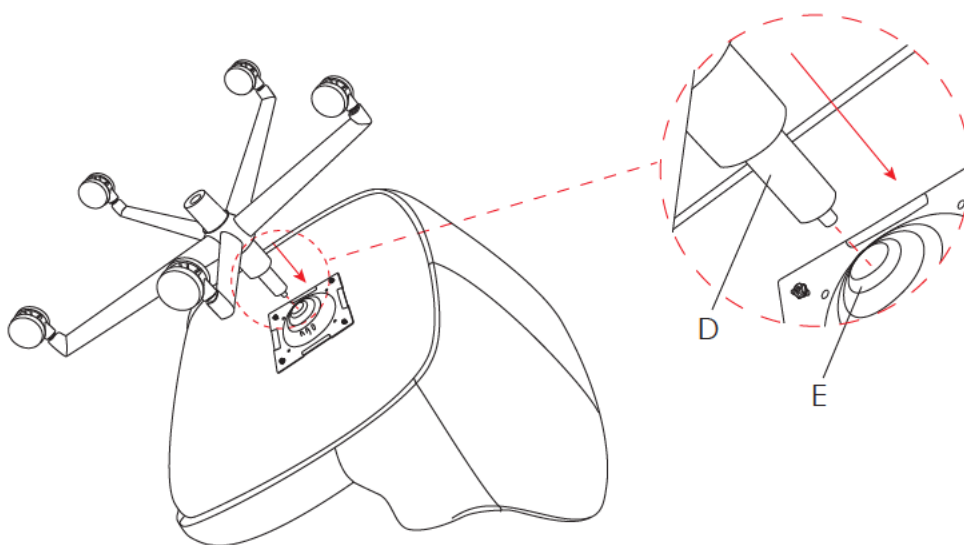
NOTE: PLEASE REMOVE THE TOP RED CAP FROM THE GAS LIFT (D) BEFORE ASSEMBLING

Wayfair

- 3** Attach SEAT PLATE (E) to the bottom of SEAT BUCKET (F) with BOLTS (H1) .



- 4** Insert & place the GAS LIFT (D) onto the bottom of entire pre-assembled chair seat to complete assembly. Be sure to tighten all connections before use.



Wayfair

- 5** Flip over the chair. Completed.

