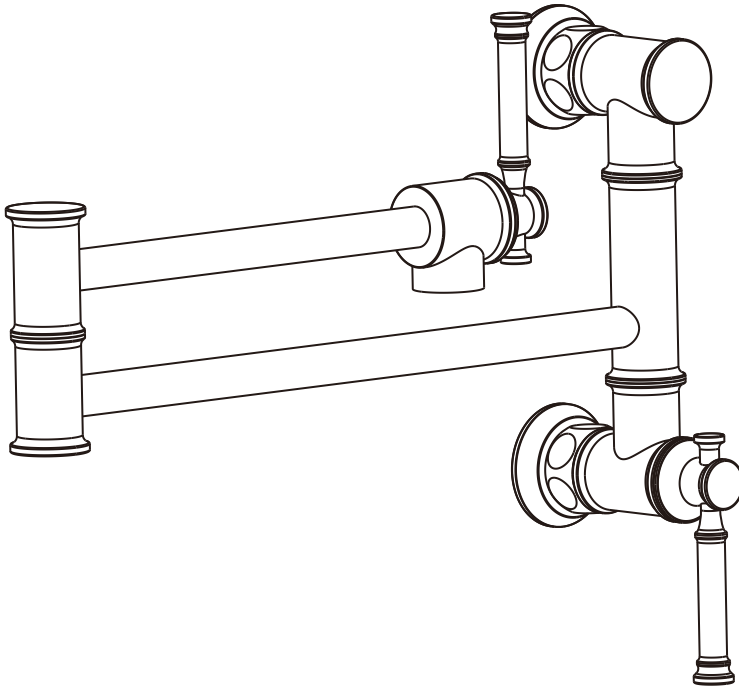


INSTALLATION AND CARE GUIDE Two Handle Pot Filler Faucet



Thank You

We recommend our products be installed by a professional.

We appreciate the trust and confidence you have placed in our LAVA ODORO® products. We strive to continuously create quality products designed to enhance your home at an affordable price. Please visit our distributor's website to see our full line of products available for your home improvement needs.

Contact us:www.faucetorsink.com

Email: info@faucetorsink.com



Model No: PF312
Warranty Activation

Important Note:

To register your faucet and activate the warranty, please send the faucet model number PF312 to our official Email address **info@faucetorsink.com**

To join us for funny games and exclusive special offer, please visit our web:**www.faucetorsink.com**

Notice:

You may find residual water inside the faucet aerator or water lines as our faucets are 100% tested with pressured- water before shipment.

Any problem with the faucet, please feel free to contact us via Amazon or message us through Amazon or Lava's social media or calling us.

Tel: +1 360 450 5736

Facebook: Lava Odoro

Instagram: Lava Odoro

Pinterest: Lava_Odoro

Youtube: Lava Odoro

GO LUXE, GO LAVA



Helpful Tools

Tools:

Gather the necessary tools as shown below to complete the installation of the faucet.



Plumber's Putty



Flashlight



Electric drill



Safety Glasses



Screwdriver



Pliers



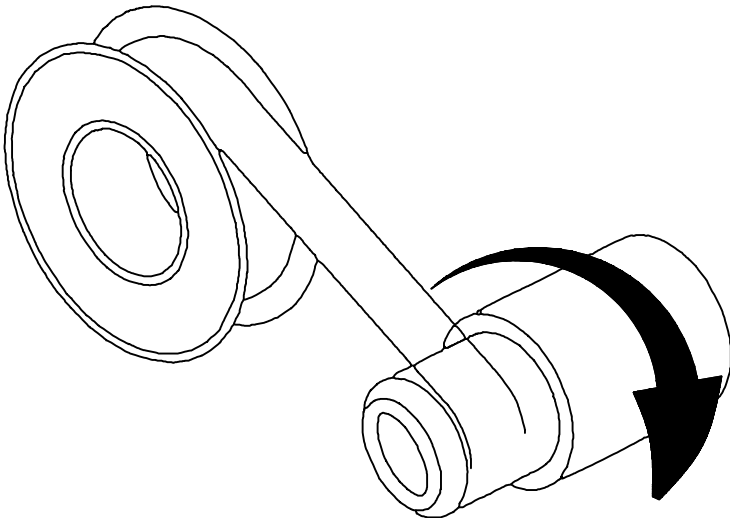
Hammer



Adjustable Wrench

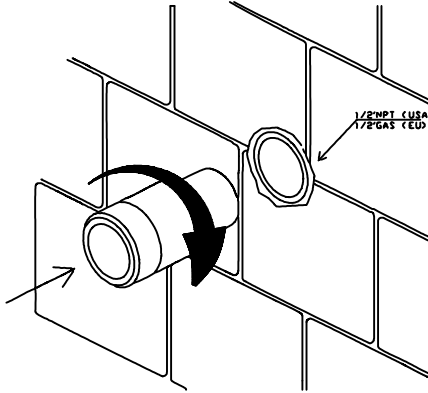
Pre-Installation

1. Wrap thread sealant tape around the pipe thread (1/2" NPT end) of the brass nipple (included) in a clockwise direction, as shown.

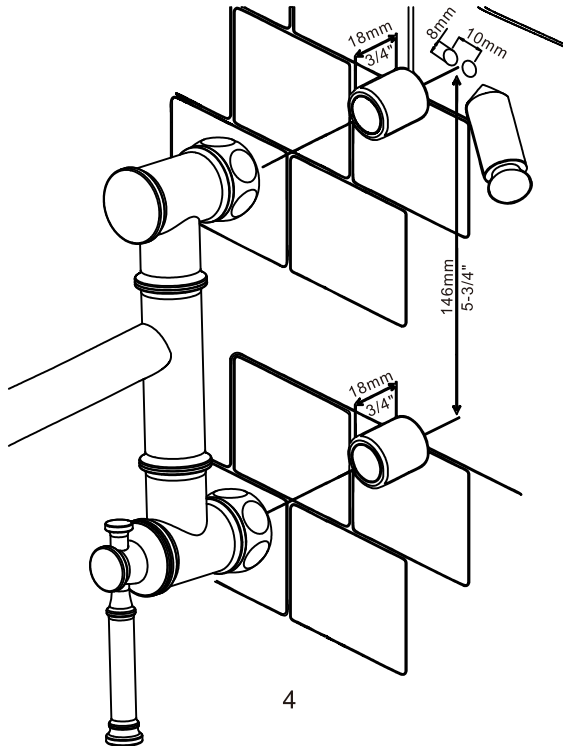


Installation

2. Install the 1/2" NPT end of the brass nipple into the pipe elbow inside of the wall with a wrench.

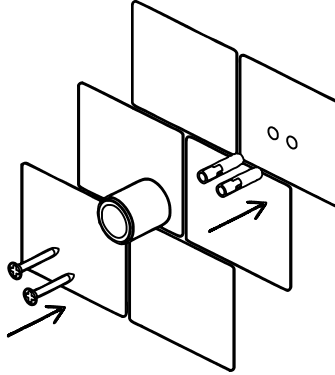


3. Verify the right position of the 2 screws (included) for the upper base connection. And drill two small holes for the 2 screws.

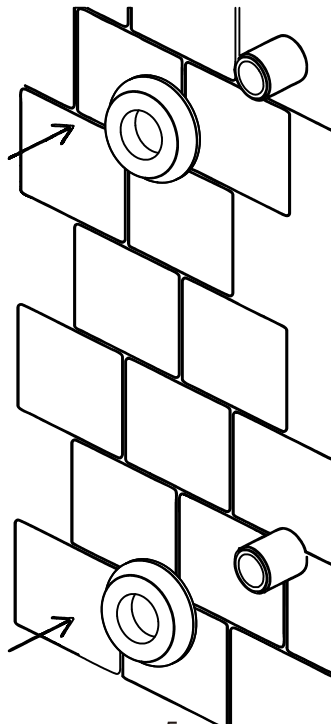


Installation

4. Insert the plastic caps (included) into the 2 holes with a hammer.
5. Screw two screws through the brass connector (included) to the plastic caps.



6. Place the two flanges to the brass connector and the nipple.

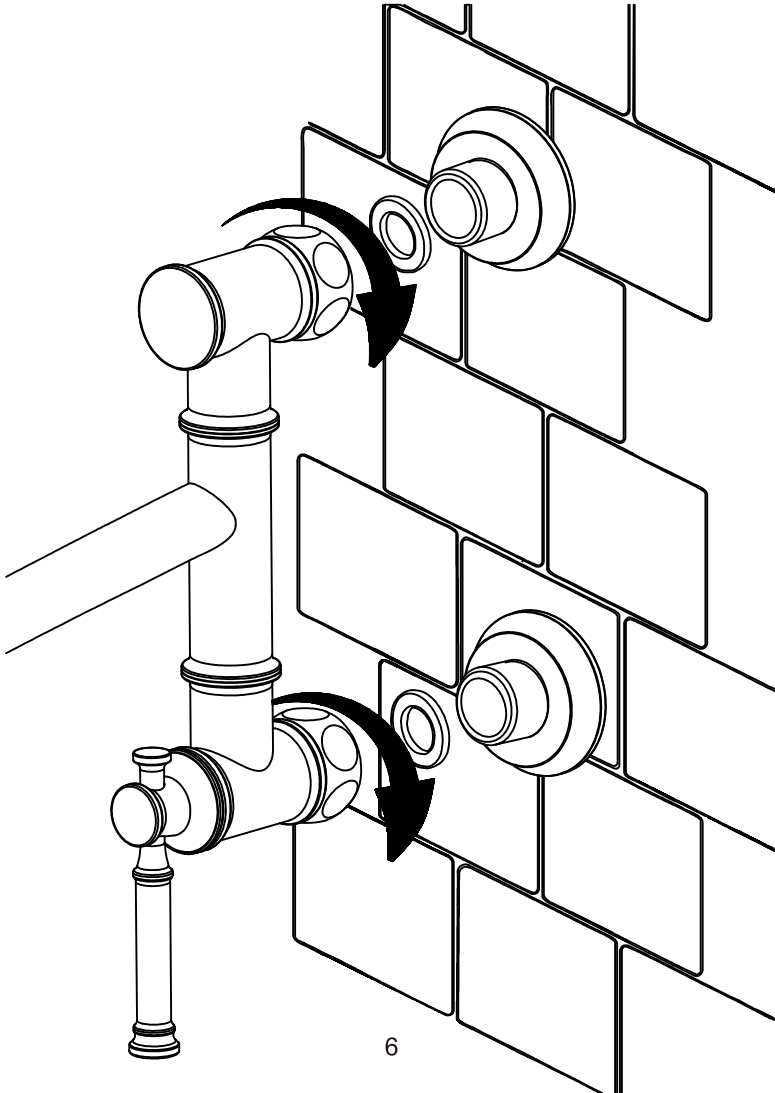


Installation

7. Thread the two locking nut of the two bases onto the the brass connector and the nipple. Make sure the washer is in the right position. It is very important.

8. Checking for leaks

Turn on the two handles and check that the faucets is operation properly and that no leakage is detected from any of its parts.





To file a warranty claim:

In order to receive replacement parts, please contact your contractor or dealer from whom you purchased the product. If your dealer is not able to provide you with the information, please send all your inquiries to **info@faucetorsink.com**.

Please show the receipt and describe the model name, product color, a complete description of the defect, and from whom the product was purchased.

This Limited Lifetime Liability Warranty is written exclusively for Lava Odoro ® products and the warranty is not transferable.

Welcome to share your bathroom faucets via
[https://www.facebook.com/
Lava-Odoro-101383718985002](https://www.facebook.com/Lava-Odoro-101383718985002)