

ASSEMBLY INSTRUCTION

IMPORTANT:

Please read all the instructions and warnings before assembling. In order to make the whole product adjust to the best, please install all the screws on the product and tighten all the screws after adjusting the product which can stand on the floor even.

WARNING:

- The chair is not a toy. Proper use of the chair is for single person seating only. Chair tested for use at a weight of 300lbs. Improper use of this product or failure to use as directed may result in injury. This chair is not intended for commercial use.
- Moreover, the chair and table are not to be used for standing purposes and they will not function as a stool or step-ladder.
- In addition, please use this chair and table on even surfaces only.

ATTENTION:

- Please keep all children and pets away from the assembly area. In addition, children and pets should be supervised when they are in the area of product construction.
- Please make sure to keep the assembly area at least 6 feet from any obstruction such as a fence, garage, house, overhanging branches, laundry line or electrical wires.
- Some parts may contain sharp edges. Therefore, when assembling and using this product, basic safety precautions should always be followed to reduce the risk of personal injury and damage to the product. Please read all instructions before assembly and use.
- Please check all bolts for tightness before use. **IMPORTANT**-check and tighten bolts often to keep them secure!
- The chair is not to be used for standing purposes and will not function as a stool or step-ladder. Again, this chair is used on even surfaces only.
- The chair used at the weight of 300lbs. Improper use of this product or failure to use as directed may result in injury. Not intended for commercial use.
- The coffee table is not to be used for standing purposes and will not function as a stool or step-ladder. Again, this coffee table is used on even surfaces only. Please **DO NOT** put excessive weight on the product, this could cause damage to the coffee table.

CARE&MAINTENANCE

STAIN RESISTANT CUSHIONS CARE-KEEP THE CUSHIONS IN STORAGE IN RAINING DAY.

SPILLS

Please immediately wipe up the spill using a white damp cloth. Repeat process if necessary until stain is gone. Allow the cushion to air dry.

FABRIC CARE

Please use cold water and hand wash, use non-chlorine bleach when needed, lay flat to dry. Cool iron if necessary. Do not dry clean.





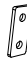

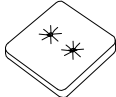






RESIN WICKER PRODUCT CARE

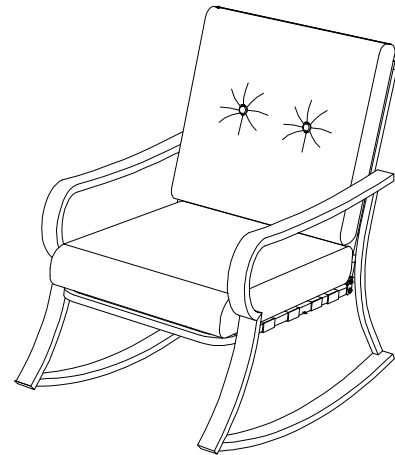
Before using, please clean the product completely with a soft dry towel. Moreover, when the chair not in use, you should wipe off any dirt or lose objects, wash with a mild solution of soap and water, rinse thoroughly and dry completely. Please do not use strong detergent or abrasive cleaners. Since nuts and bolts can loosen over time, so please check nuts and bolts on all chairs and table, re-tighten if necessary.

TABLE CARE

- Please do not sit or stand upon the table.
- Please do not use the table top as a chopping surface.
- Please do not strike the table top with hard or pointed items.
- When cleaning table use a damp cloth or leather with washing up liquid or soft soap if necessary, do not use washing powders or any other substance containing abrasives since these substances scratch table top.

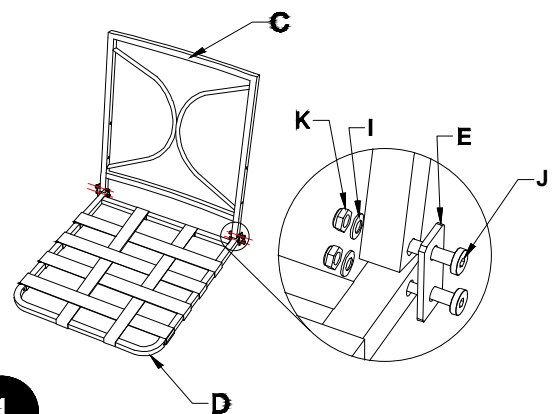
3-Piece Rocking Bistro Set Rocking Chair - DO THIS TWICE

Item no.	Reference Image	Description	Qty.
A		Left Arm Rest	1
B		Right Arm Rest	1
C		Seat Back	1
D		Seat Base	1
E		Bracket	2
F		Base Cushion	1
G		Back Cushion	1
H		M6 x 35 Socket Head Cap Screw	6
I		Washer	10
J		M6 x 32 Socket Head Cap Screw	4
K		Nut	4
L		Allen Key	1
M		Wrench	1



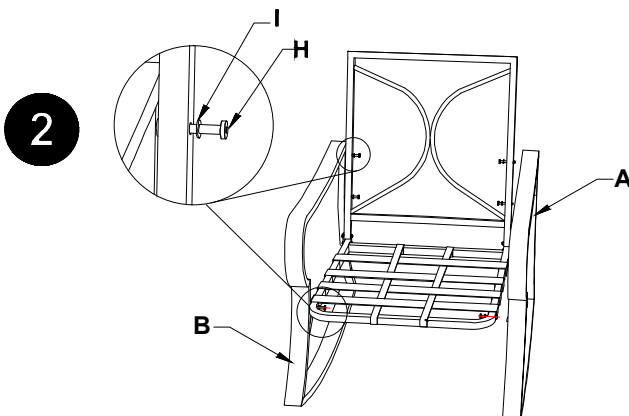
Tips:

Do not tighten screws fully until the item is fully assembled.



1

Secure the seat back (C) to the seat base (D) by fastening a bracket (E) using M6 x32 socket head cap screw (J) with a washer (I). Do this in four places.



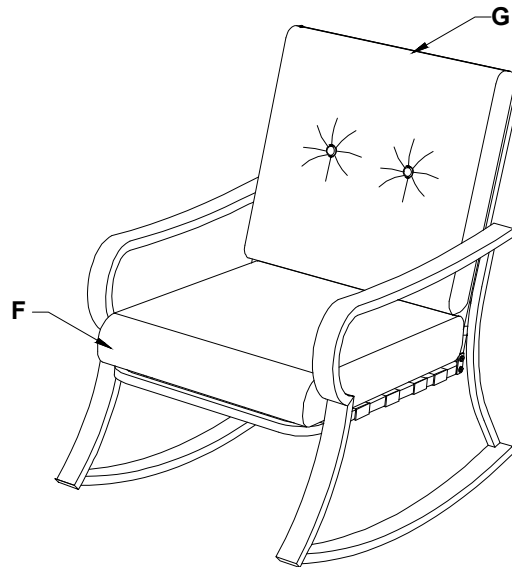
2

Secure the arm rests (A & B) to the seat back (C) and base (D) using M6 x 35 socket head cap screw (H) with a washer (I). Do this in six places.

3-Piece Rocking Bistro Set Rocking Chair - DO THIS TWICE

3


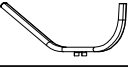
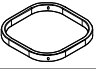
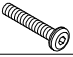



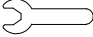
Check assembly alignment and tighten all screws. Place the back (G) and base (F) cushions on the chair.

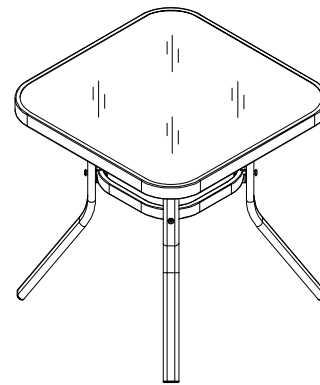


Tips: Do not tighten all screws fully before the item is well assembled.

3-Piece Rocking Bistro Set

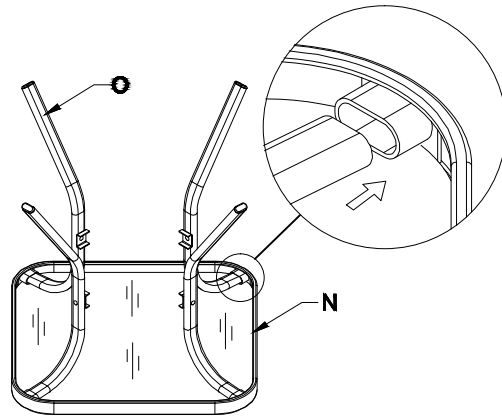
Coffee Table

Item no.	Reference Image	Description	Qty.
N		Table Top	1
O		Table Leg	4
P		Leg Brace	1
Q		M6 x 38 Socket Head Cap Screw	4
I		Washer	8
K		Nut	4
L		Allen Key	1
M		Wrench	1



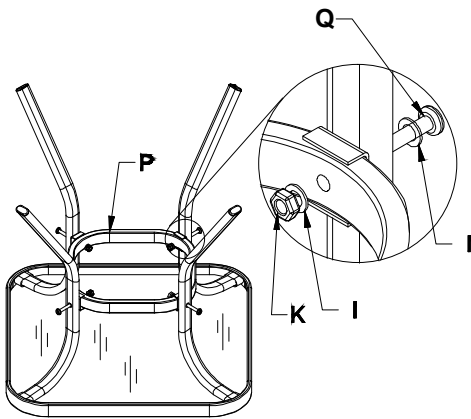
Tips:

Do not tighten screws fully until the item is fully assembled.



1

Flip table top (N) upside down. Attach table leg (O) to table top (N). Do this in four places.



2

Attach the leg brace (P) to each table leg (O) using a M6 x 38 socket head cap screw (Q) with a washer (I) and a nut (K). Do this in four places.

3

Flip the assembly upright. Check assembly alignment and tighten all screws.

