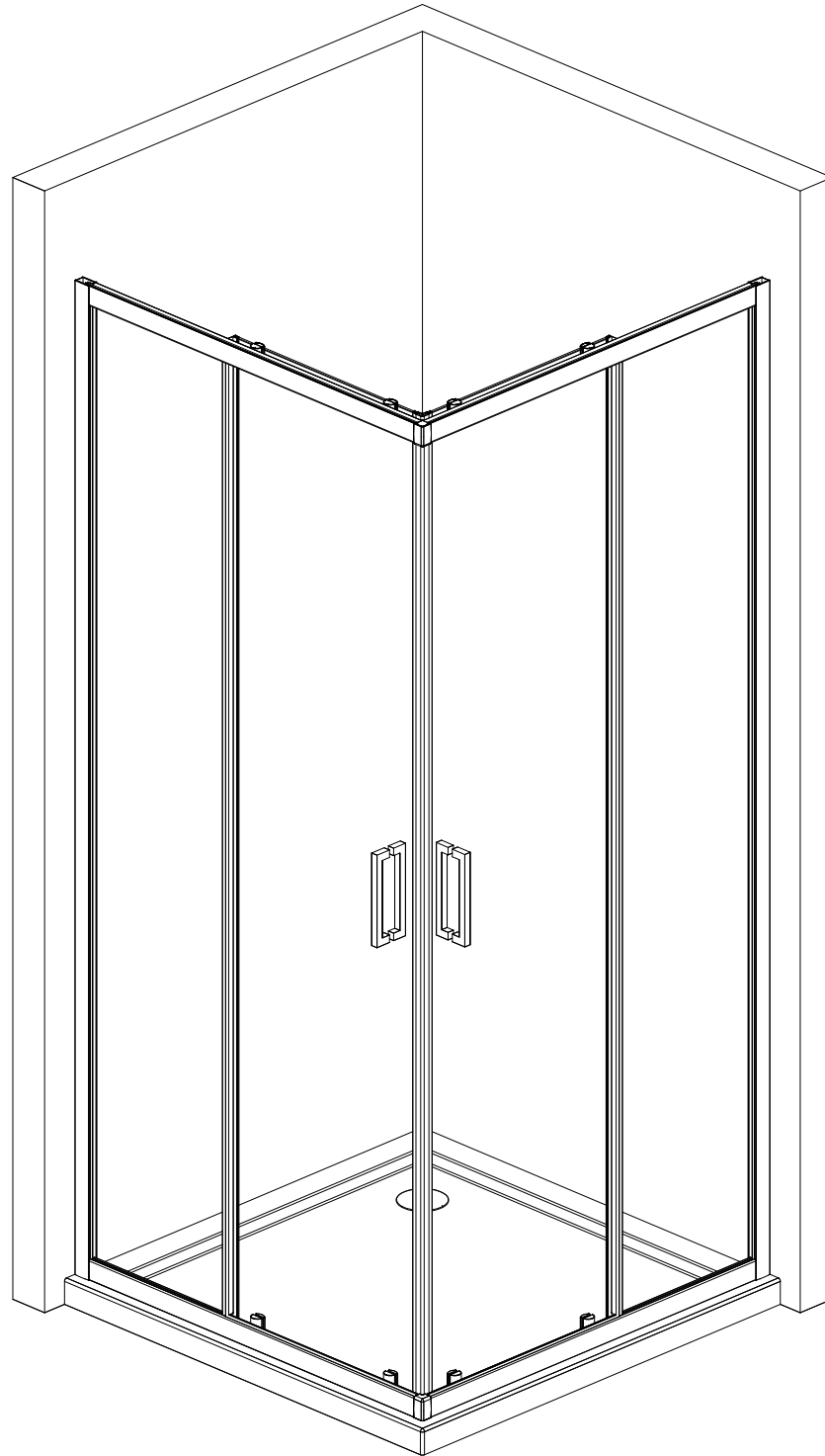


SLIDING SHOWER ENCLOSURE INSTALLATION INSTRUCTION PLEASE
REVIEW THIS ENTIRE MANUAL PRIOR TO INSTALLATION

BC Series



NOTE:

In order to improve the product and customer experience, we reserve the right to change, modify or re-design the product at any time without notice.

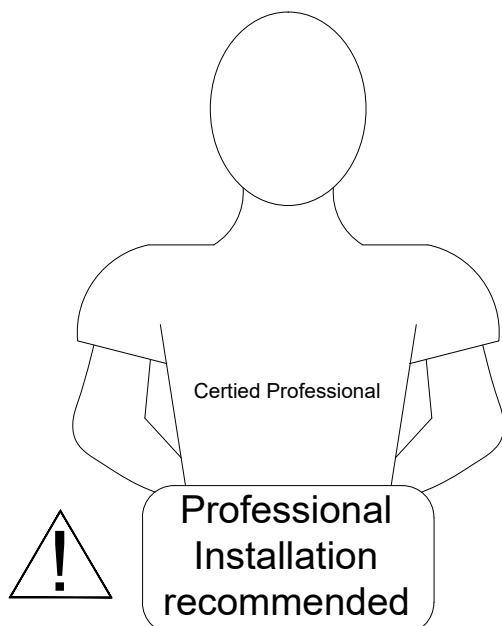
Please refer to the latest technical drawings, installation manuals, warranty information or other product details.

Contact us for any issue prior to return.

Important Notice

This product should be installed by personnel familiar with the construction requirements of such projects, and pay attention to safe installation and operation.

- * To prevent damage or serious injury, do not lean on installed panels/doors/glass.
- * Do not attempt to lift or move heavy glass alone, use professional glass suction cups when handling alone.
- * Installation of some models may require drilling holes in the threshold, for any questions regarding drilling holes in the base, tub or threshold material, contact the manufacturer of the base, tub or threshold material.
- * All drawings in this installation manual are for reference only.



This product should be installed by someone familiar with the construction requirements for this type of project and the care necessary for the safe installation and operation of the product.

Table of Contents

Section Title	Page #
Warnings and preparations	1
Sliding door assembly diagram and BOM	2
Product installation size and shower tray checking	3
Install wall profile	4
Assembly fixed panel and top & bottom frame	5-6
Wall profile and fixed panel frame connect and move door installation	7
Install magnetic strip and handle	8
Silicone and attention	9

◆ General information

Please inspect the product immediately upon receipt for transit damage, missing packs/parts or manufacturing fault. Damage reported later cannot be accepted. Please handle the product with care avoiding knocks and shock loading to all sides and edges of the glass.


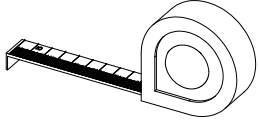


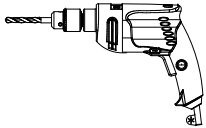
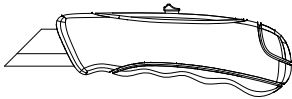
Note: Safety glass can not be re-worked.

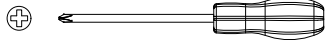
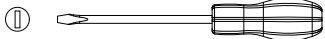
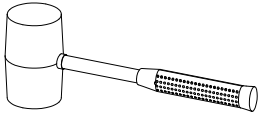
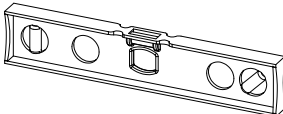

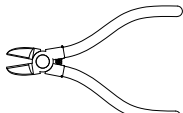
- Please read these instructions carefully before start of installation.
- Special care should be taken when drilling walls to avoid hidden pipes or electrical cables.
- Note: this product is heavy and required two persons install.

Aftercare instructions

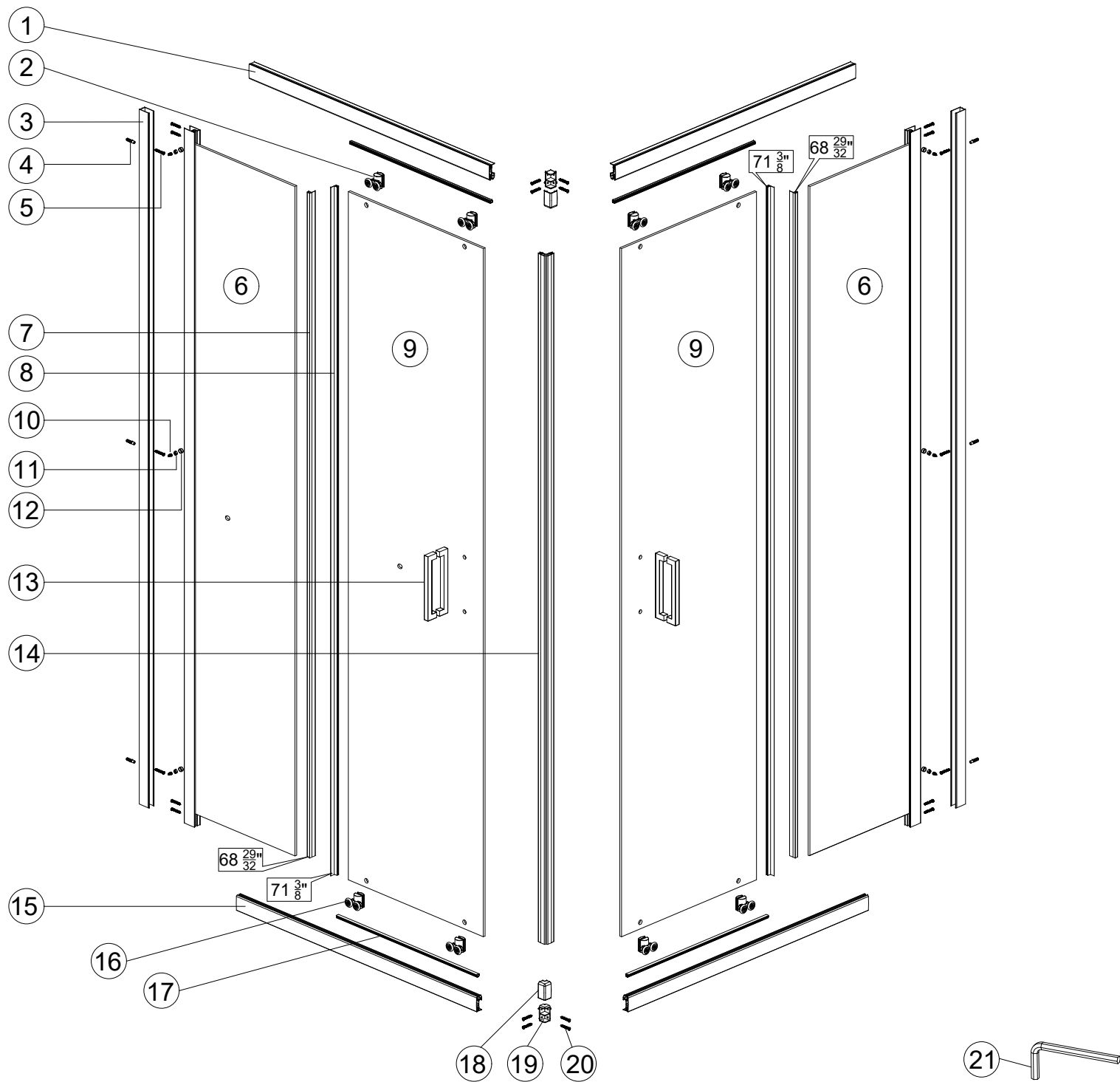
- After use, your shower should be cleaned with soap and water. This is particularly important in hard water districts where insoluble lime salts may be deposited and allowed to build up.
- Cleaners of gritty or abrasive nature should not be used. Care should be taken to avoid contact with strong chemicals such as organic solvents and strippers.
- Glass cleaners can be used but with caution, if in doubt contact the manufacturer of the cleaner in question.
- Please keep these instructions for aftercare and customer service details.

TOOLS REQUIRED

DESCRIPTION	PART IMAGE
Pencil	
Tape measure	
Ø6mm Drill bit	
Ø3mm Drill bit	
Electric drill	
Knife	

DESCRIPTION	PART IMAGE
Cross head Screwdriver	
Flat-head Screwdriver	
Hammer	
Level	
Silicone Sealant	
Cutting pliers	

ASSEMBLY INSTRUCTIONS-DRAWING

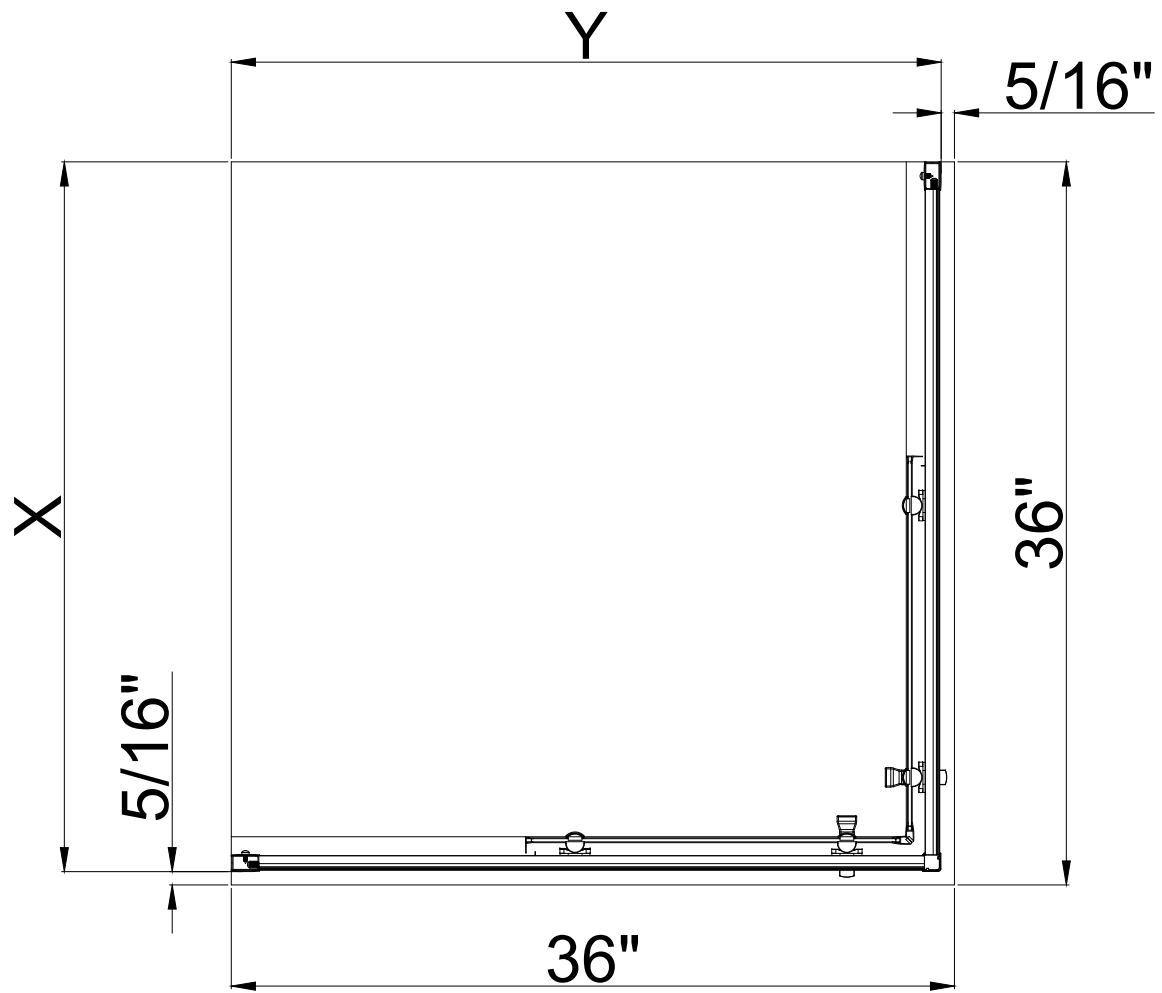


NO.	Description	QTY	Diagram
①	Top frame(L)	2	
②	Upper roller	4	
③	Wall profile	2	
④	Ø6x30 screw tube	6	
⑤	ST4x50 metric screw	6	
⑥	Fixed panel with frame	2	
⑦	Water proof for fixed panel	2	L=68 $\frac{29}{32}$ "
⑧	Water proof for door	2	L=71 $\frac{3}{8}$ "
⑨	Movable door	2	
⑩	ST4x12 metric screw	6	
⑪	Screw nut	6	

NO.	Description	QTY	Diagram
⑫	Screw cover	6	
⑬	Handle	2	
⑭	Magnetic strip	1	
⑮	Top frame(R)	2	
⑯	Bottom roller	4	
⑰	Seal for frame	4	
⑱	Cover for connector	2	
⑲	frame connector	2	
⑳	ST4x30 metric screw	16	
㉑	2.5mm Tool Wrench	1	

Step 1

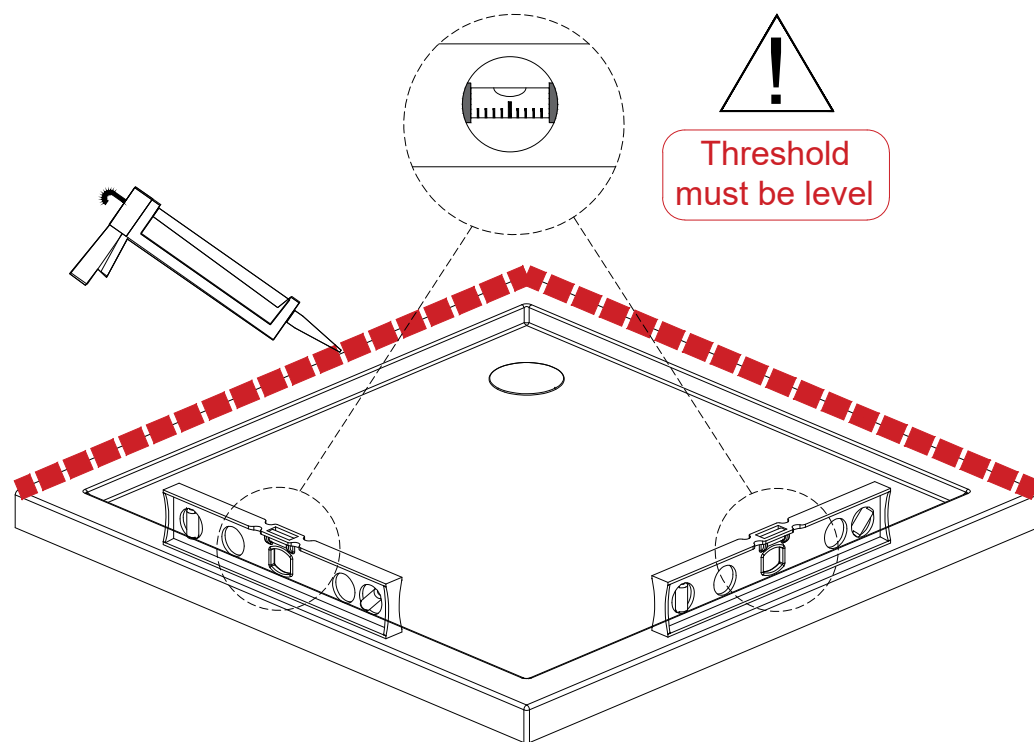
Product installation size



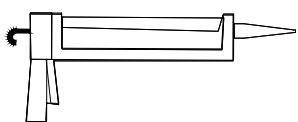
	Size in:mm	X		Y	
		Min.	Max.	Min.	Max.
BC3636B	36"x36"	35"	35 $\frac{5}{8}$ "	35"	35 $\frac{5}{8}$ "

Step 2

Level shower tray



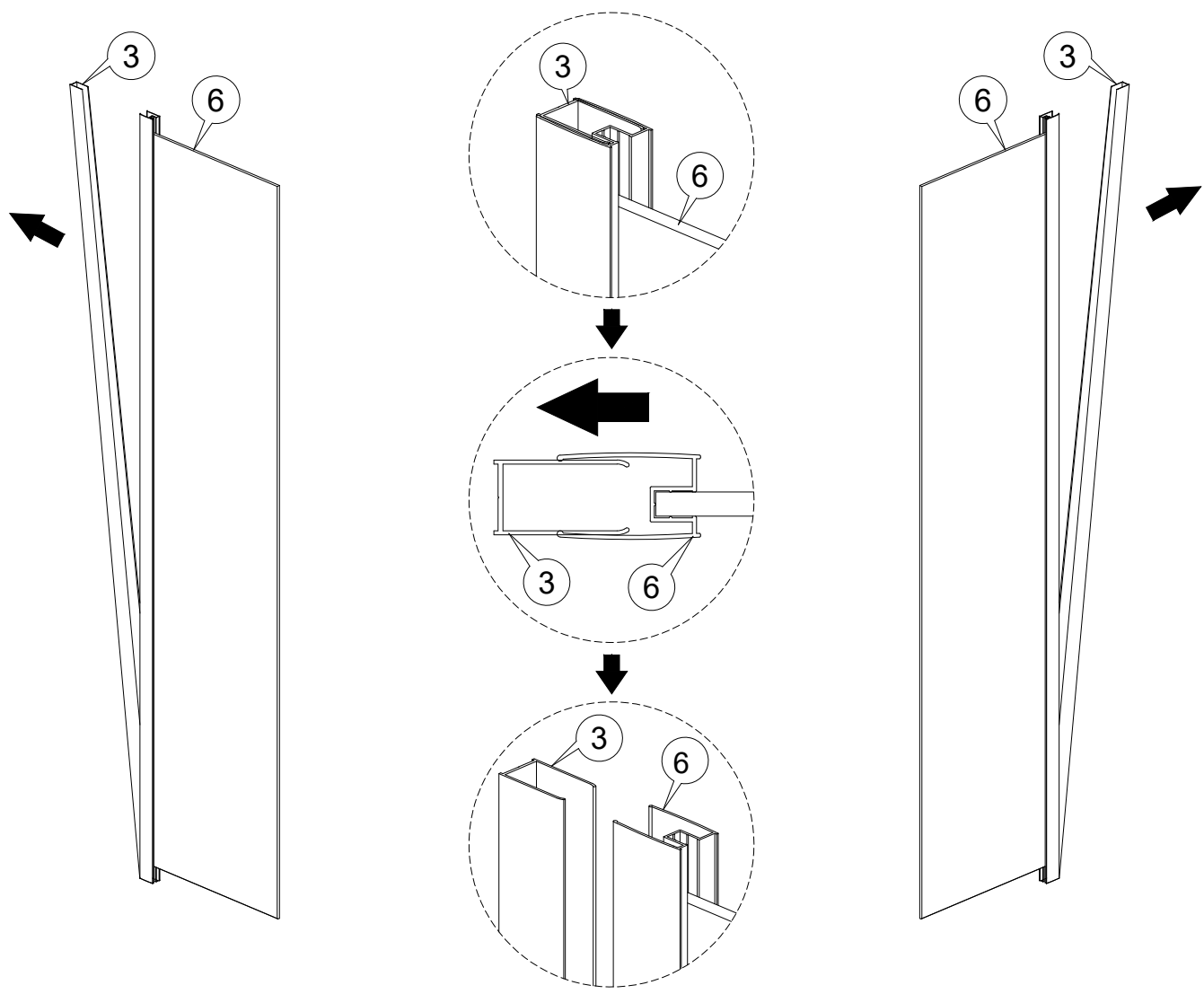
Glass glue



3

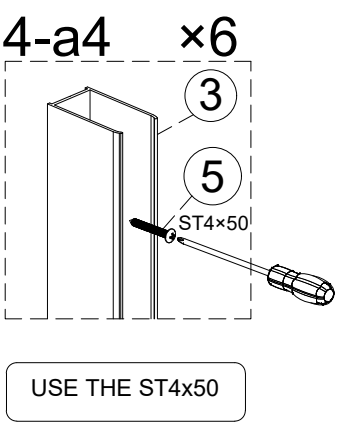
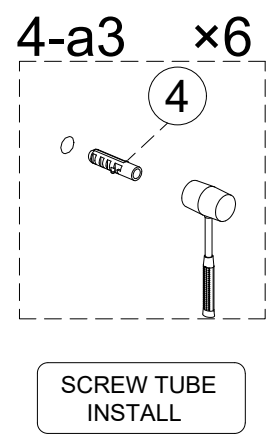
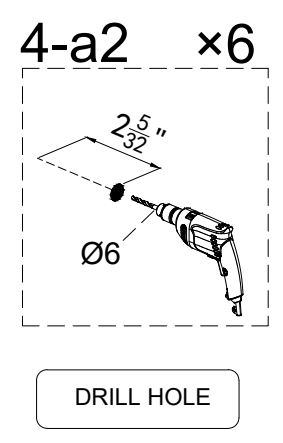
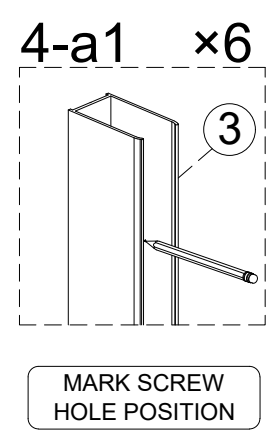
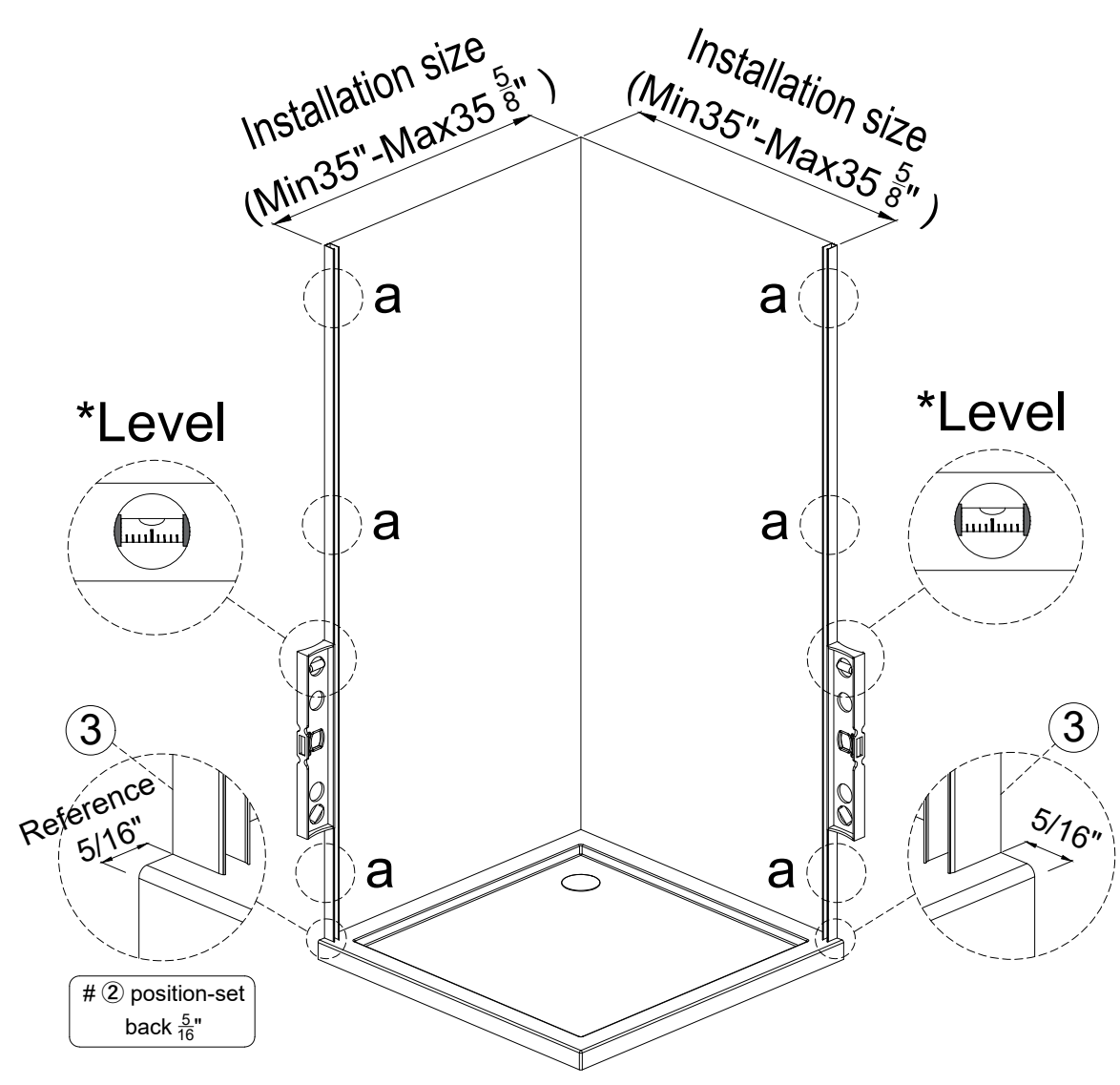
Step 3

Take out wall profile #③ from fixed frame# ⑥



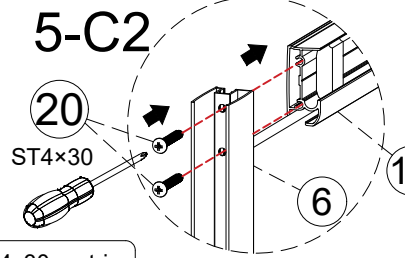
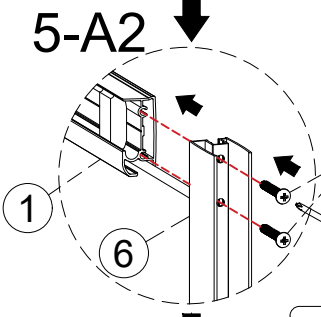
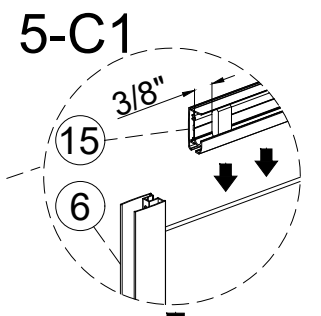
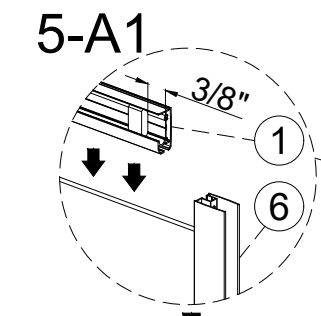
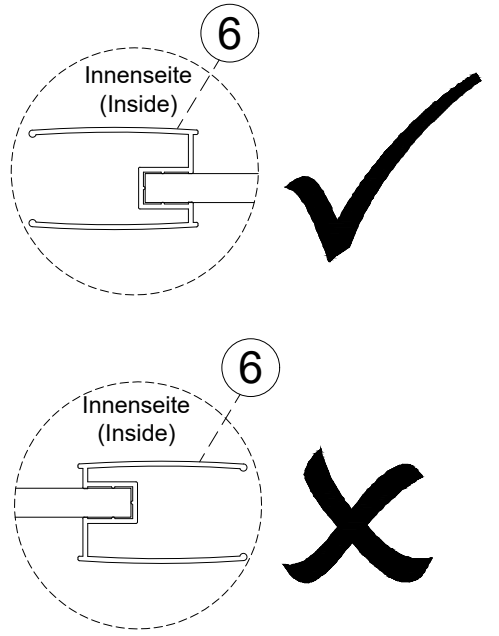
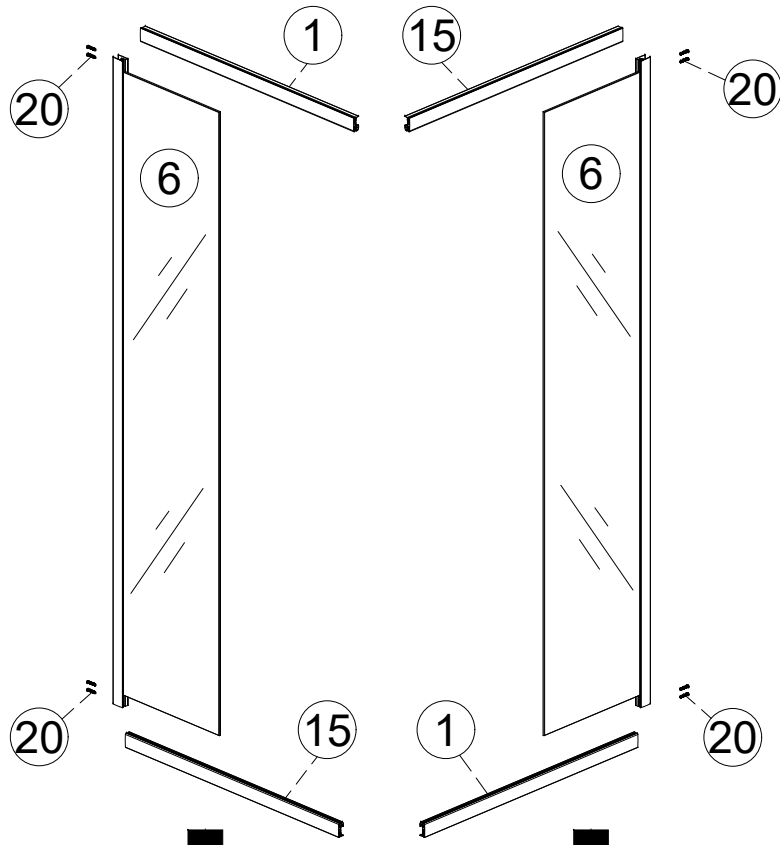
Step 4

Install wall profile #③



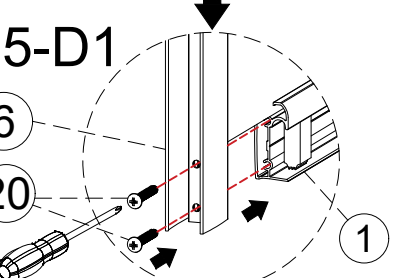
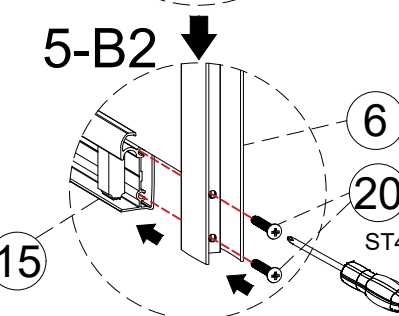
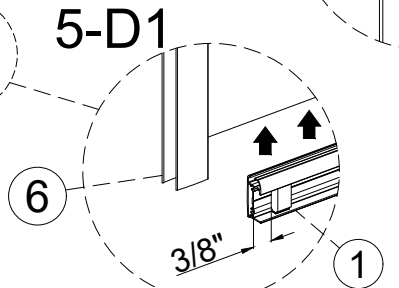
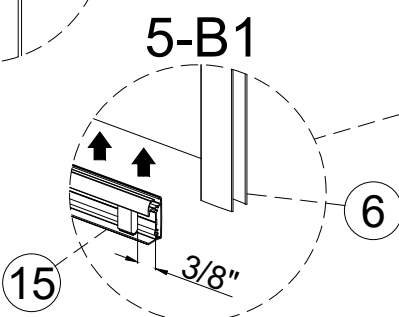
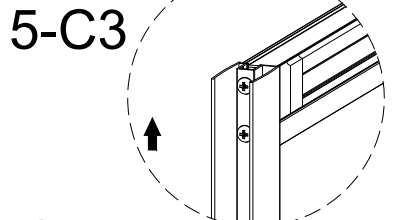
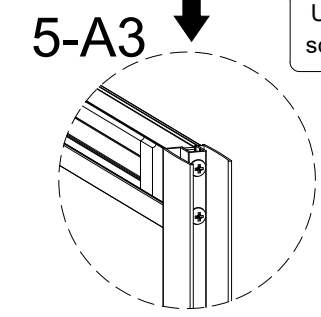
Step 5

Assembly fixed panel with top frame ①+⑥+⑮+⑳



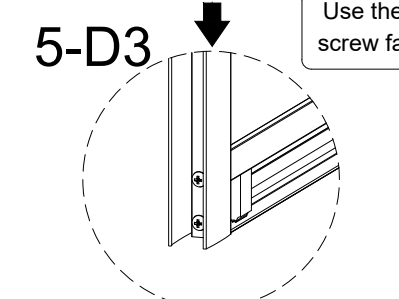
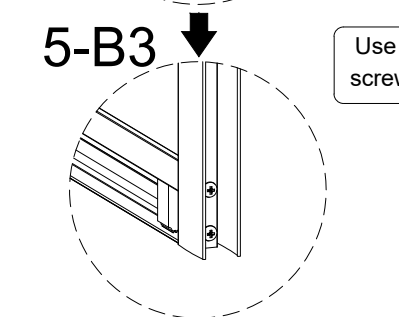
Use the ST4x30 metric screw fasten #⑥ and #①.

Use the ST4x30 metric screw fasten #⑥ and #⑮.



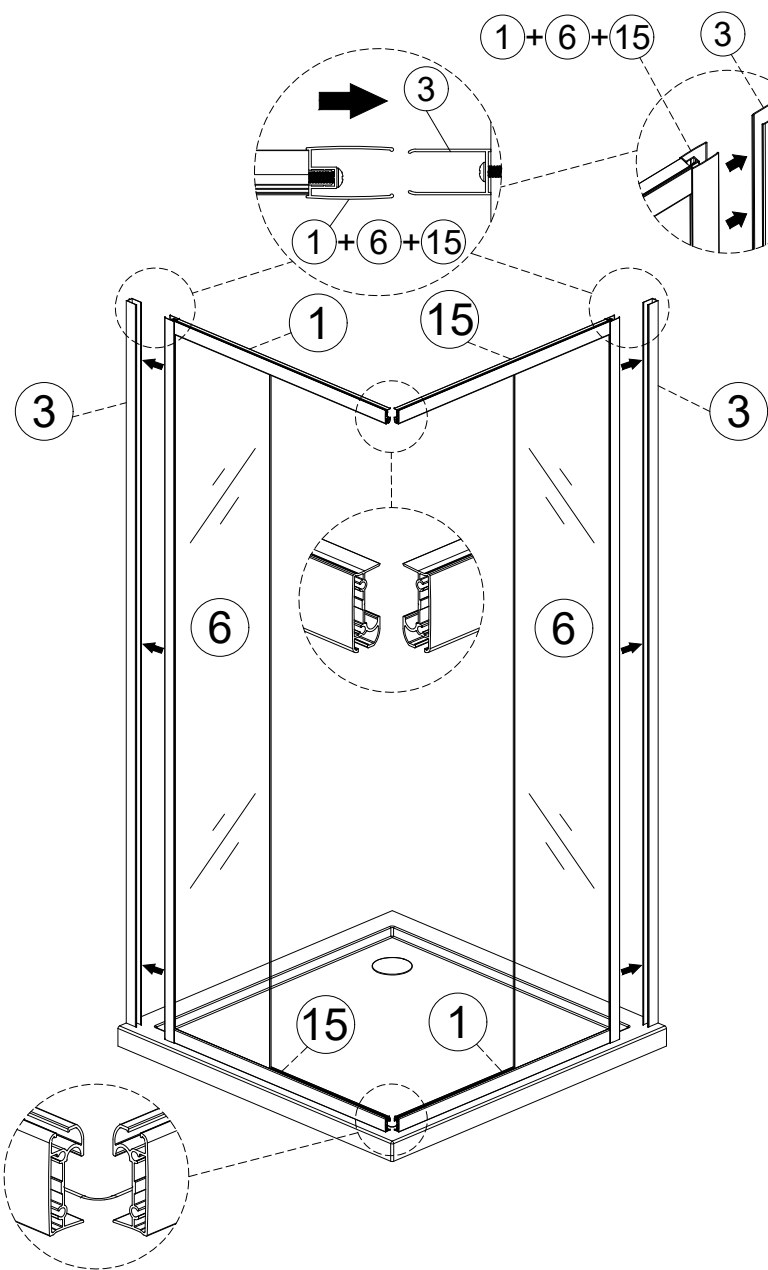
Use the ST4x30 metric screw fasten #⑥ and #⑮.

Use the ST4x30 metric screw fasten #⑥ and #①.



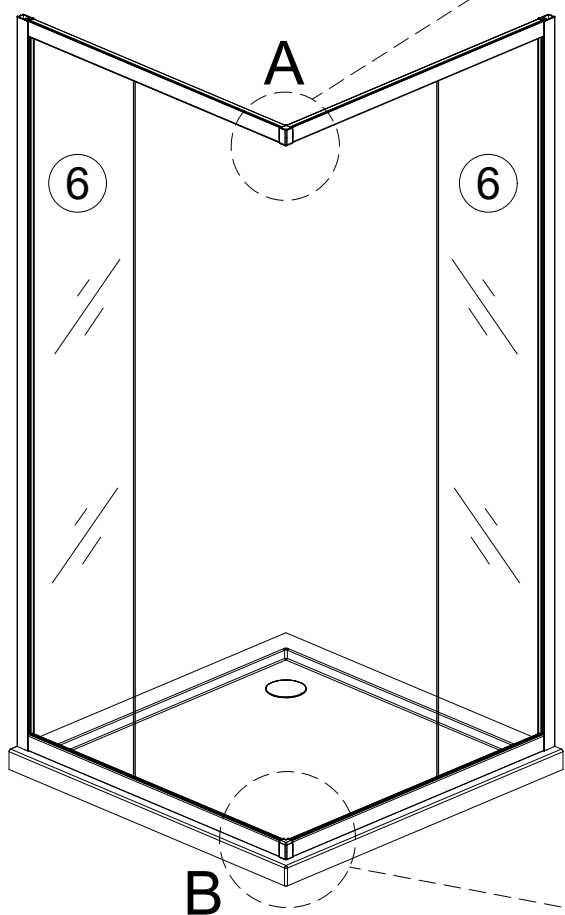
Step 6

Install ①+⑥+⑮ assembly into the wall profile ③

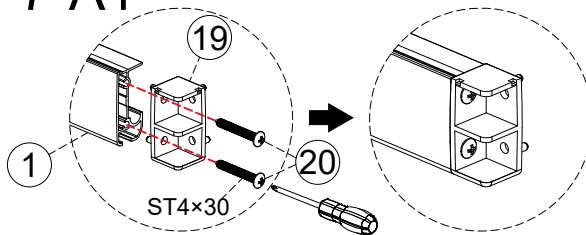


Step 7

Install connector with frame ⑱+⑲

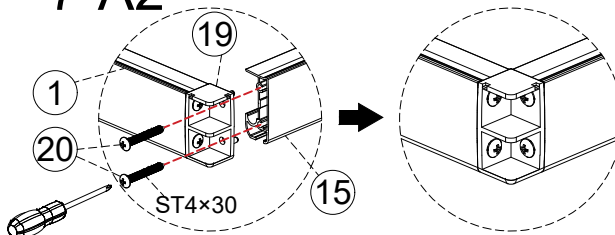


7-A1



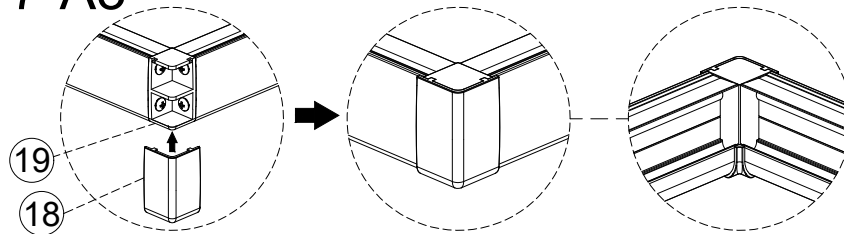
Use the ST4x30²⁰ to fasten the connector¹⁹ with frame¹

7-A2



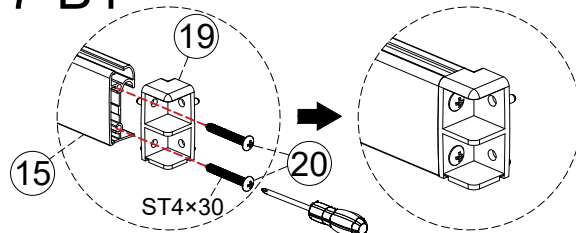
Use the ST4x30²⁰ to fasten the connector¹⁹ with frame¹⁵

7-A3



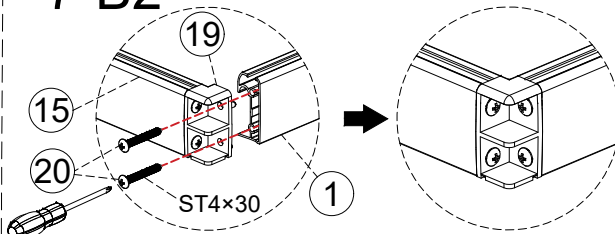
Cover ⑱ on connector ⑲

7-B1



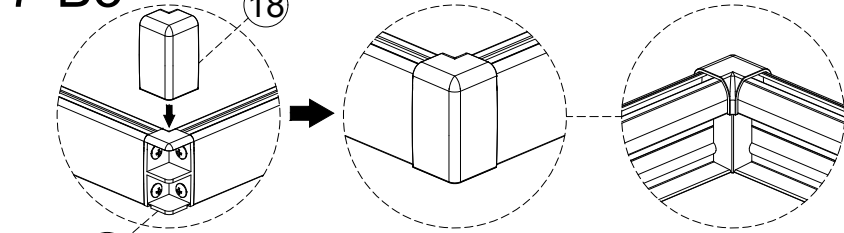
Use the ST4x30²⁰ to fasten the connector¹⁹ with frame¹⁵

7-B2



Use the ST4x30²⁰ to fasten the connector¹⁹ with frame¹

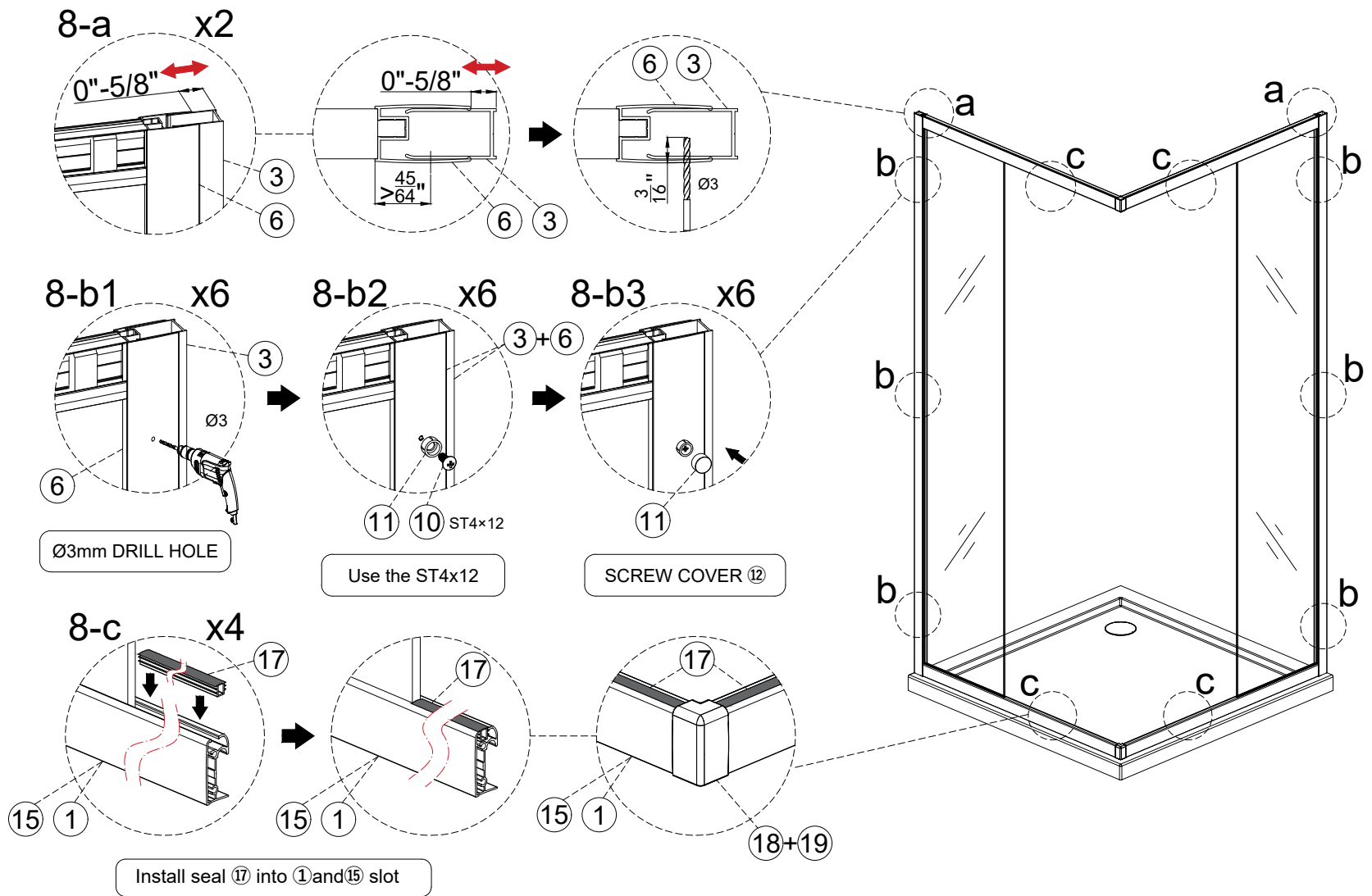
7-B3



Cover ⑱ on connector ⑲

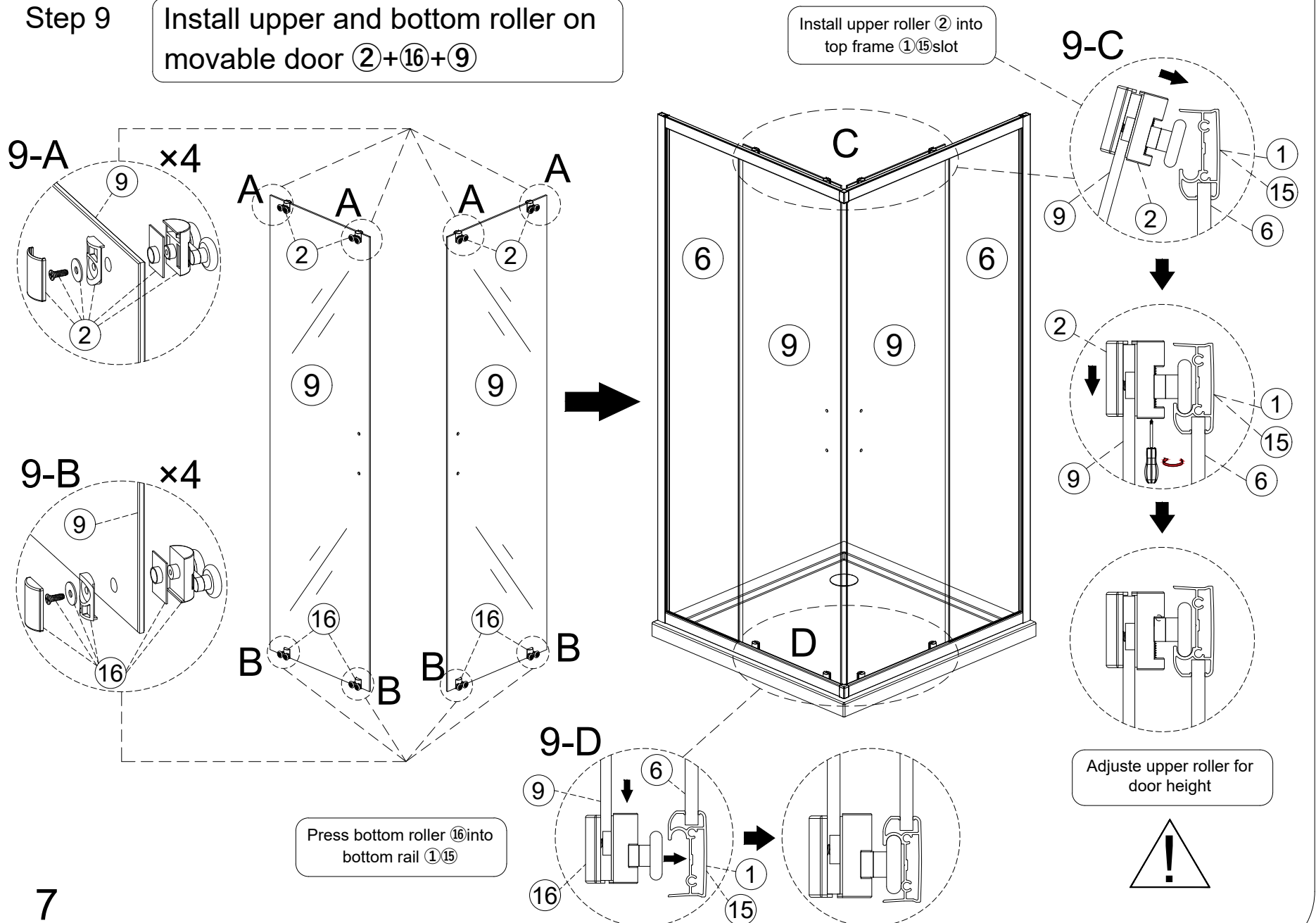
Step 8

Adjustment and fixed wall and fixed panel frame



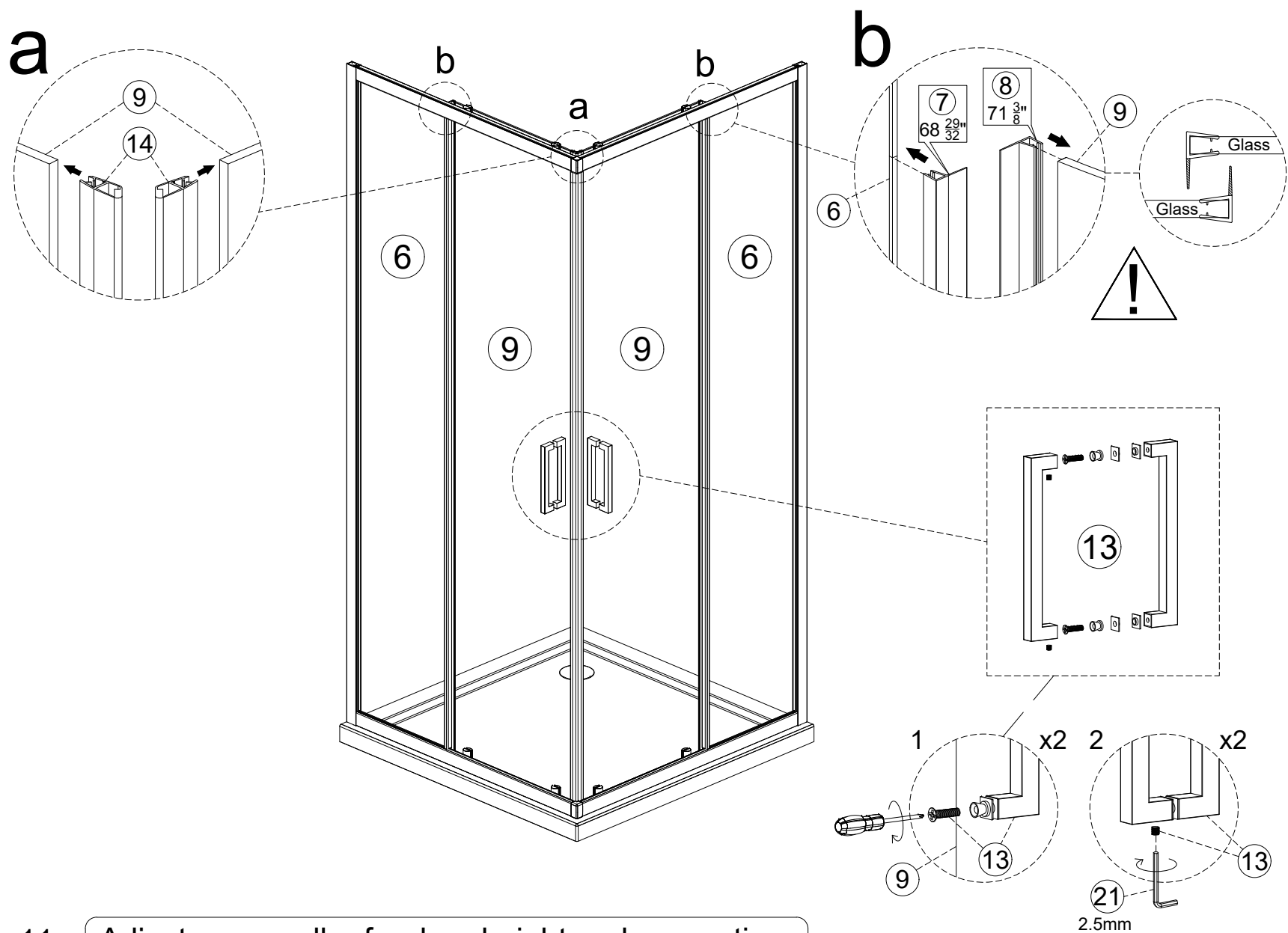
Step 9

Install upper and bottom roller on movable door 2+16+9



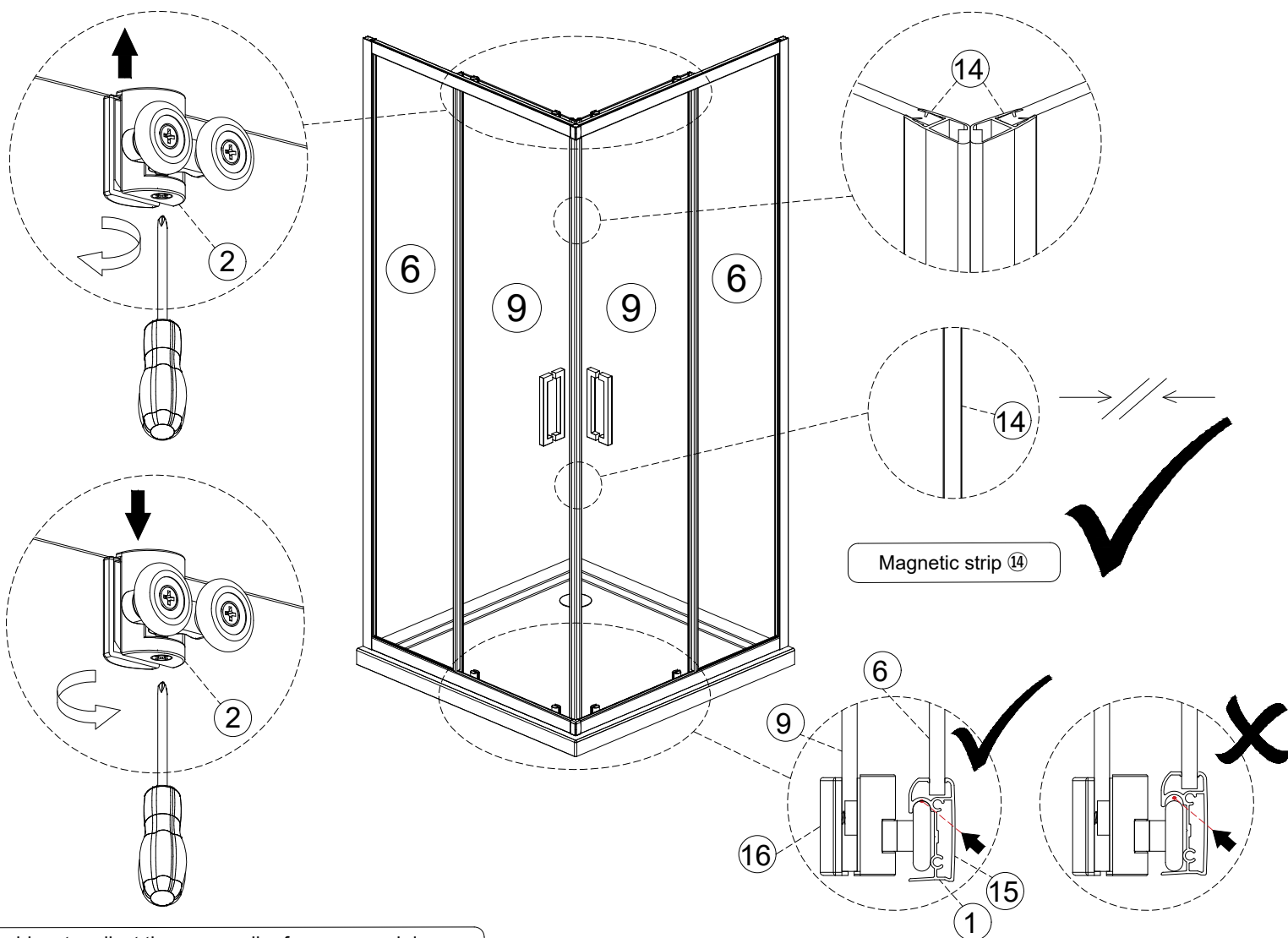
Step 10

Magnetic strip, water proof and handle installation ⑦+⑧+⑬+⑭

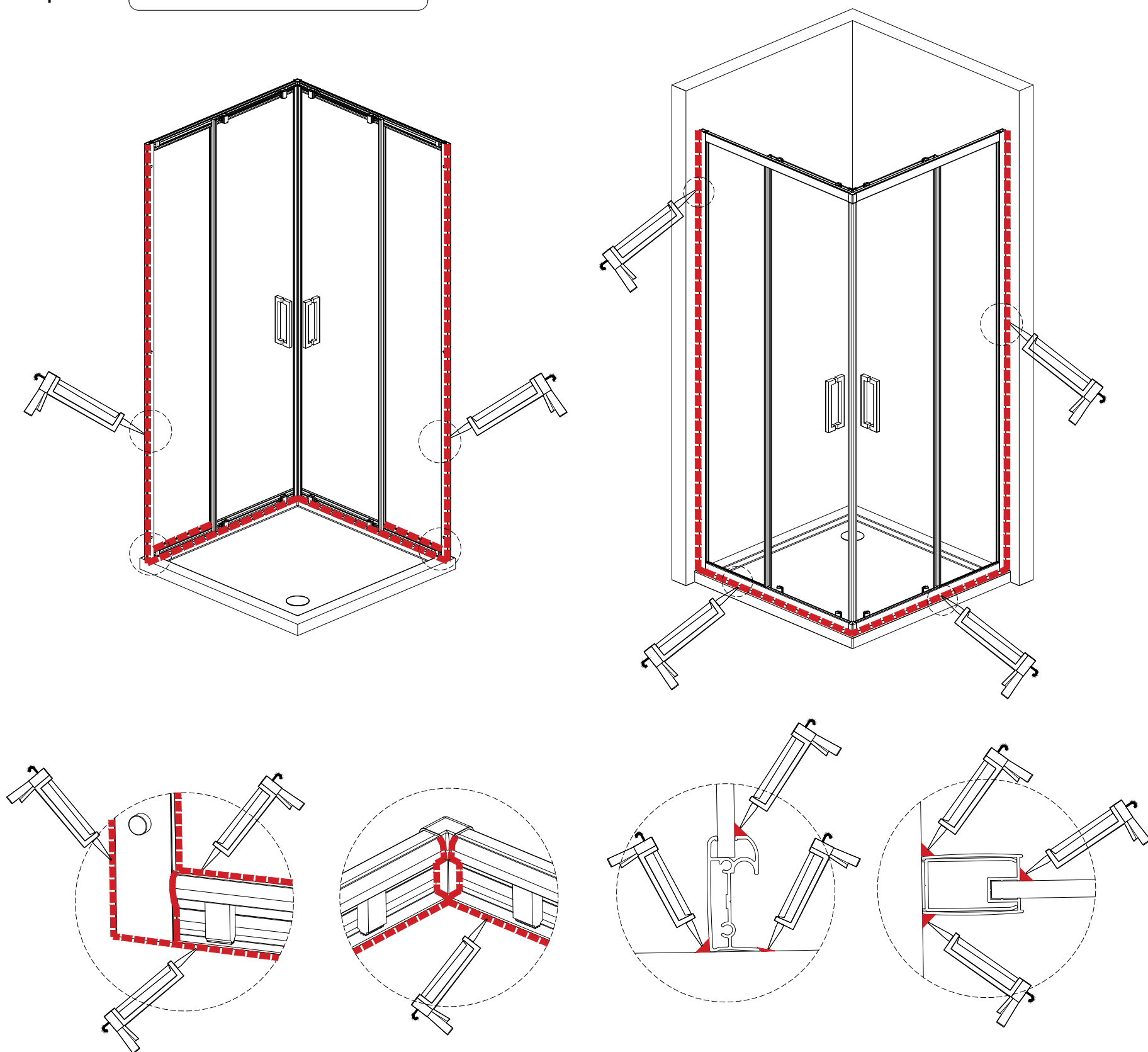


Step 11

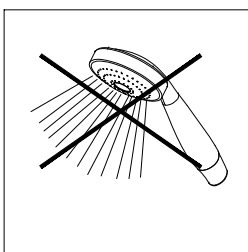
Adjust upper roller for door height and magnetic strip closing function



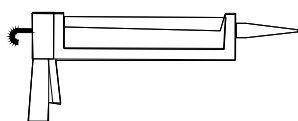
Use screw driver to adjust the upper roller for upper and down



After installation, it is necessary to apply glass glue for sealing and waterproofing at the connections between the product and the wall, floor, as well as at the joints between aluminum materials and aluminum materials, glass and aluminum materials (make sure the surface is dry before applying glass glue). Wait for 24 hours for the glass glue to dry before using this product.



Glass glue



Allow 24 hours for silicone to dry before use.
Silicone on the outside edge only