

Project:

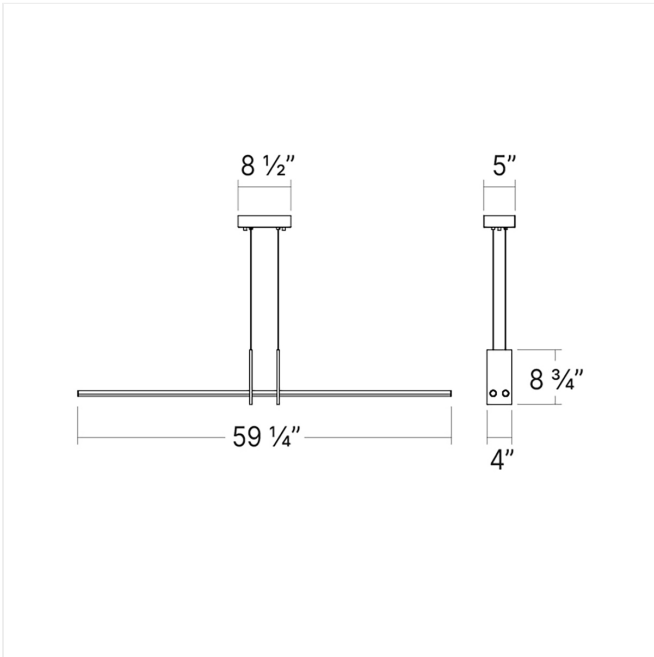
Fino Duo Pendant Spec Sheet

SKU: 3779.25

Building on the minimally scaled LED Fino [Bath Bar](#) and [Pendant](#) design, Fino Duo signals graphic architectural presence with pairs of interconnected LED Fino metal bars. Ultra-thin and minimally scaled, these slender bars deliver powerful light symmetrically along a linear path. Fino Duo Pendants are ideal above a kitchen island or long table, including dining spaces, conference rooms, and bars. A [coupler kit](#) may be ordered in conjunction with multiple Fino Pendants, to seamlessly connect multiple pendants together for larger spaces.

Learn more: <https://sonnemanlight.com/fino-duo-pendant>

Type #:



Dimensions

Height:	19.5"
Width:	59.25"
Length:	5"
Depth:	4"
Hanging Details:	20' Adjustable Cord/Cable

Electrical Specs

Bulb(s) Included?:	Yes
Bulb 1 Type:	Integral LED
Bulb Quantity:	2
Input Voltage:	120-277VAC
Wattage:	30
Initial Lumens:	7320
Delivered Lumens:	3000
Kelvin:	3000K
CRI:	90
Power Supply Type:	Driver
Power Supply Quantity:	2
Power Supply Location:	Canopy
Dimming Type:	TRIAC/ELV/0-10V

Installation

Installation:	Licensed electrician required
Sloped Ceiling Compatible?:	Not Compatible
Installation Orientation:	N/A

Shade

Shade Material:	Optical Acrylic
-----------------	-----------------

General Listings

Features:	Damp Rated
Certification:	C-ETL-US
Color/Finish:	Satin Black (.25)

Available Finishes

Available Finishes:	Polished Chrome (.01), Satin Black (.25)
---------------------	--

Available Color Temperatures

Available Color Temperatures:	3000k
-------------------------------	-------