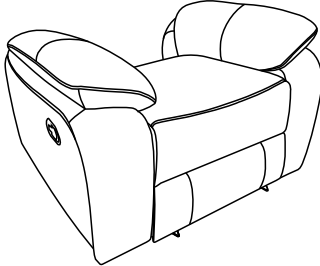
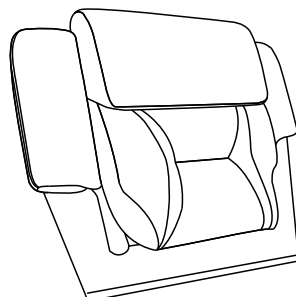


# ASSEMBLY INSTRUCTION

## GLIDER RECLINING CHAIR

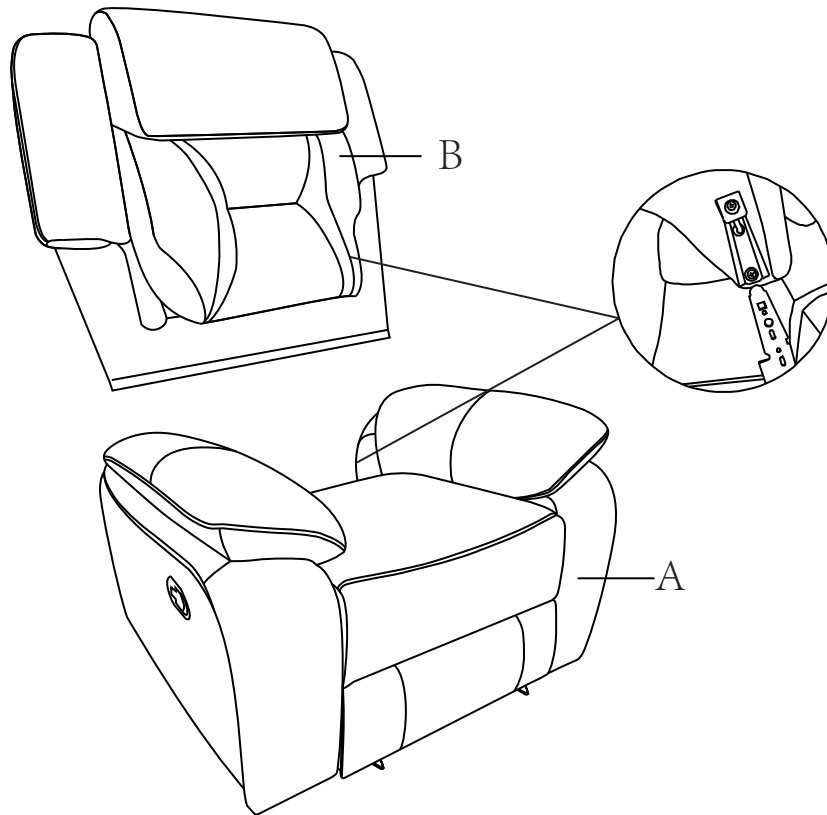
NOTE: Do not use power tools for assembly. Power tools increase the risk of over tightening which leads to splitting or cracking the wood

### COMPONENT LIST

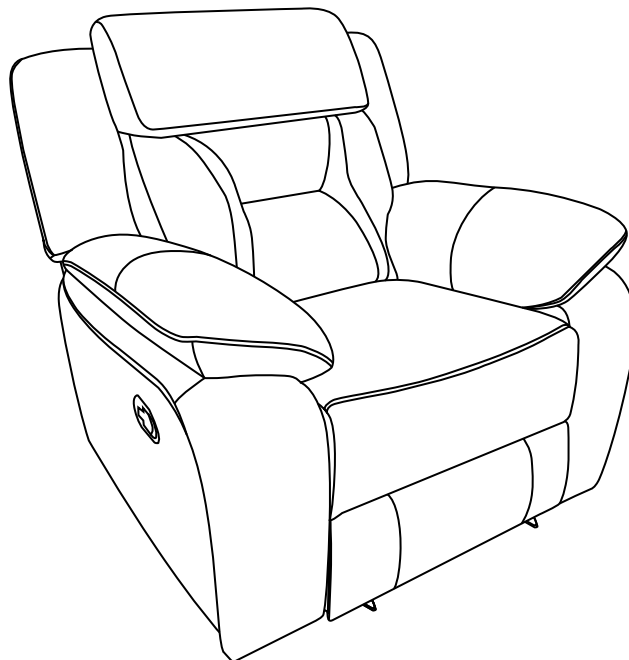
NO.	DRAWING	QTY	DESCRIPTION
A		1	SEAT
B		1	BACK REST

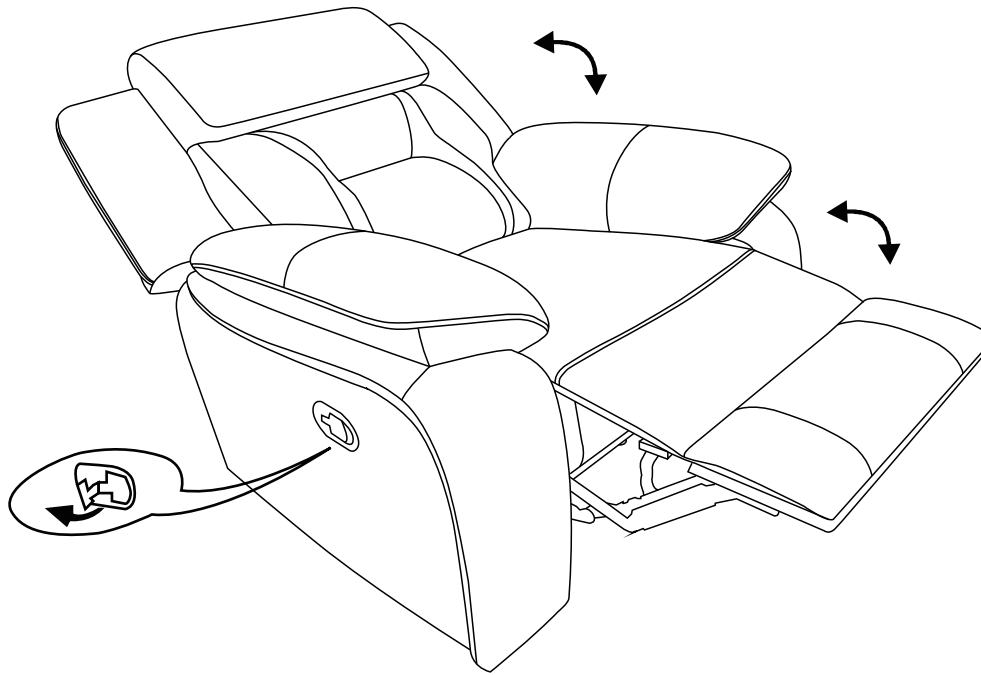
**STEP# 1**

Attach Back Rest (B) to the Seat(A) .



**STEP#3**





## Care Instruction for Leather air Furniture.

In order to maintain the original appearance of your leather air furniture, please follow below care procedures.

- Avoid exposing furniture directly to sunlight or heating and air conditioning outlets. Sunlight and/or exposure to heating and air conditioning outlets will fade/damage leather air.
- Do not place your upholstered furniture too close to windows, radiators, or vents and be sure to use window, radiators, or vents.
- Vacuum or wipe with a soft brush to remove dust.



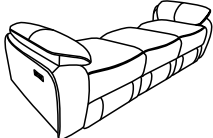
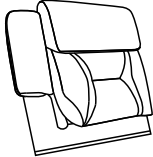


For items used on wooden floor, hard surfaces or carpets, it is recommended to install protective pads under all legs supports to avoid/prevent from damages/scratches discoloration.

# ASSEMBLY INSTRUCTION

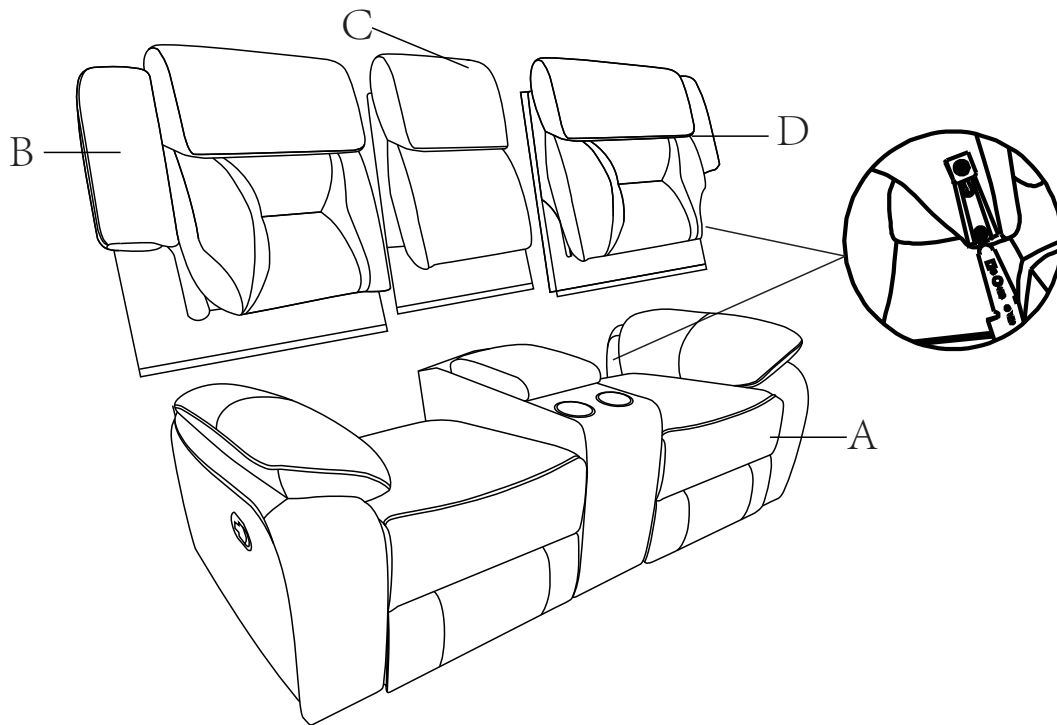
## DOUBLE RECLINING LOVE SEAT WITH CENTER CONSOLE

**NOTE:** Do not use power tools for assembly. Power tools increase the risk of over tightening which leads to splitting or cracking the wood.

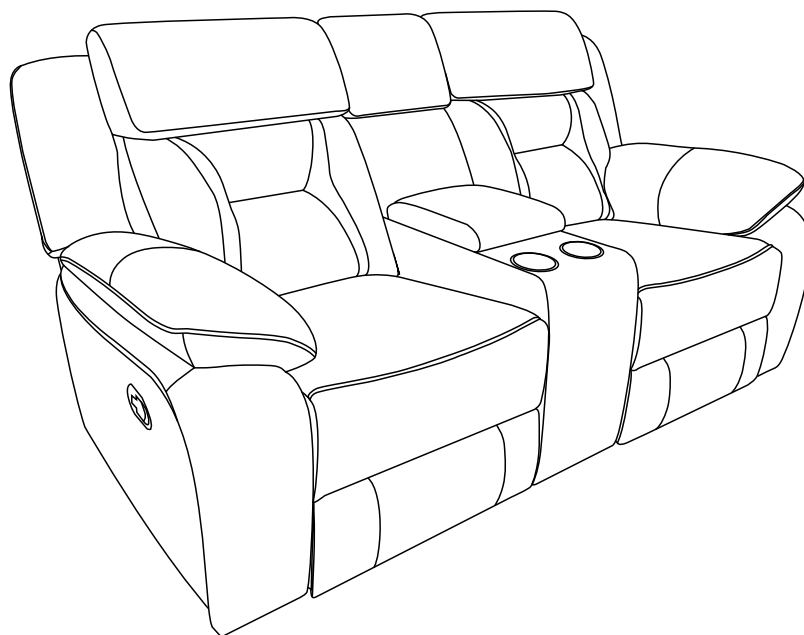
### COMPONENT LIST (LOVE SEAT)

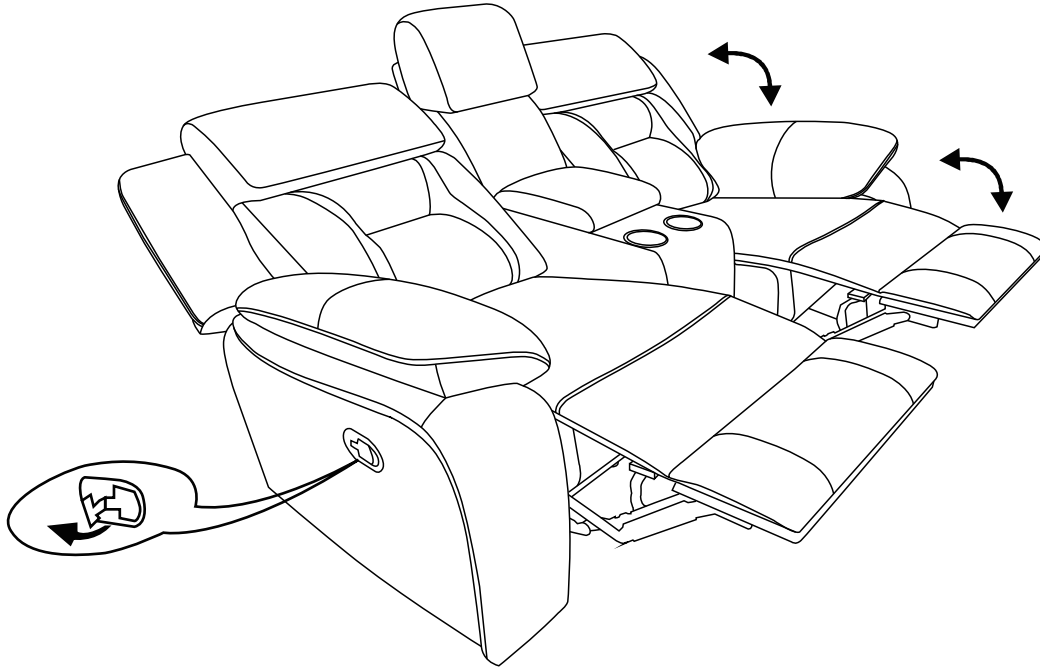
NO.	DRAWING	QTY	DESCRIPTION
A		1	SEAT
B		1	LSF BACK REST
C		1	CONSOLE BACK REST
D		1	RSF BACK REST

**STEP# 1**  
Attach LSF Back Rest(B) and RSF Back Rest(D) to the Seat (A).  
**STEP# 2**  
Attach Middle Console Back Rest (C) to the seat(A) .



**STEP#4** Completed





## Care Instruction for Leather air Furniture.

In order to maintain the original appearance of your Polished Microfiber furniture, please follow below simple care procedures:

- Avoid exposing furniture directly to sunlight or heating and air conditioning outlets. Sunlight and/or exposure to heating and air conditioning outlets will fade/damage polished microfiber.
- Do not place your upholstered furniture too close to windows, radiators, or vents and be sure to use window, radiators, or vents.
- Vacuum or wipe with a soft brush to remove dust.



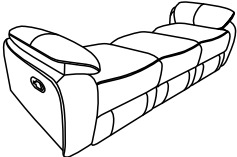

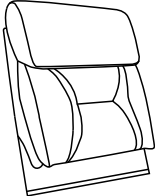
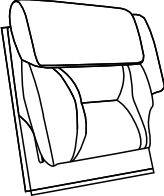
For items used on wooden floor, hard surfaces or carpets, it is recommended to install protective pads under all legs supports to avoid/prevent from damages/scratches discoloration.

# ASSEMBLY INSTRUCTION

## DOUBLE RECLINING SOFA

**NOTE:** Do not use power tools for assembly. Power tools increase the risk of over tightening which leads to splitting or cracking the wood.

### COMPONENT LIST (SOFA)

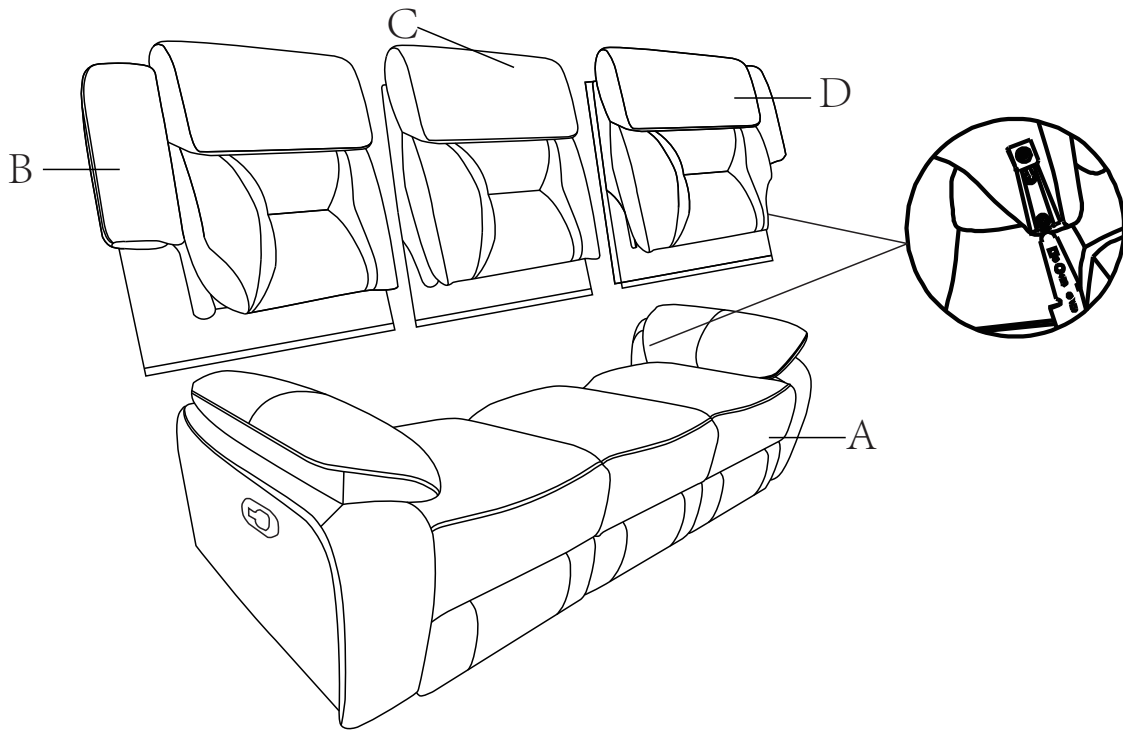
NO.	DRAWING	QTY	DESCRIPTION
A		1	SEAT
B		1	LSF BACK REST
C		1	MIDDLE BACK REST
D		1	RSF BACK REST

**STEP# 1**

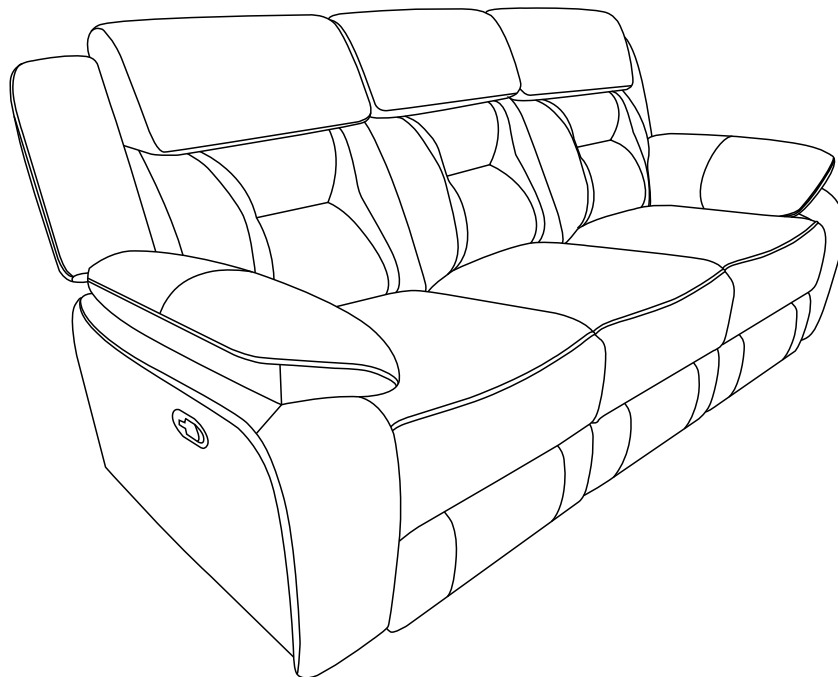
Attach LSF Back Rest(B) and RSF Back Rest(D) to the Seat (A).

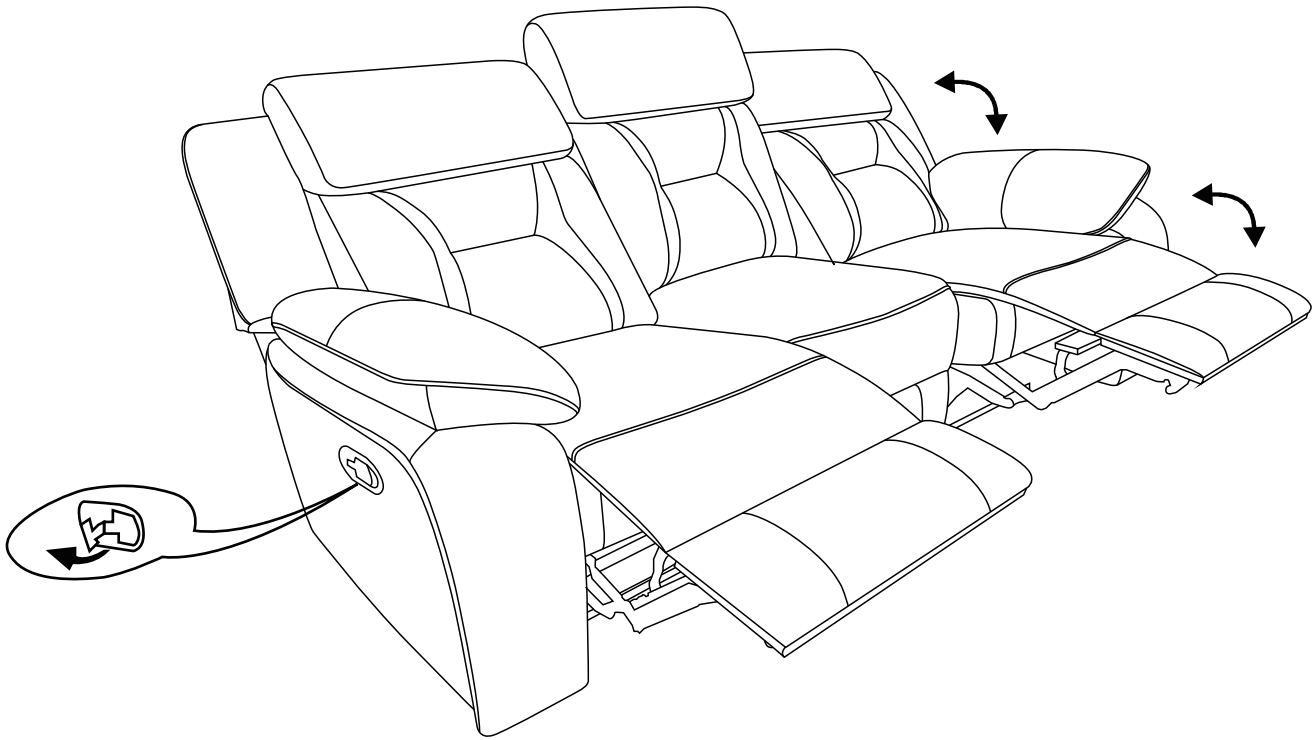
**STEP# 2**

Attach Middle Back Rest (C) to the seat(A) .



**STEP#3 Completed**





## Care Instruction for Leather air Furniture.

In order to maintain the original appearance of your Polished Microfiber furniture, please follow below simple care procedures:

- Avoid exposing furniture directly to sunlight or heating and air conditioning outlets. Sunlight and/or exposure to heating and air conditioning outlets will fade/damage polished microfiber.
- Do not place your upholstered furniture too close to windows, radiators, or vents and be sure to use window, radiators, or vents.
- Vacuum or wipe with a soft brush to remove dust.



For items used on wooden floor, hard surfaces or carpets, it is recommended to install protective pads under all legs supports to avoid/prevent from damages/scratches discoloration.