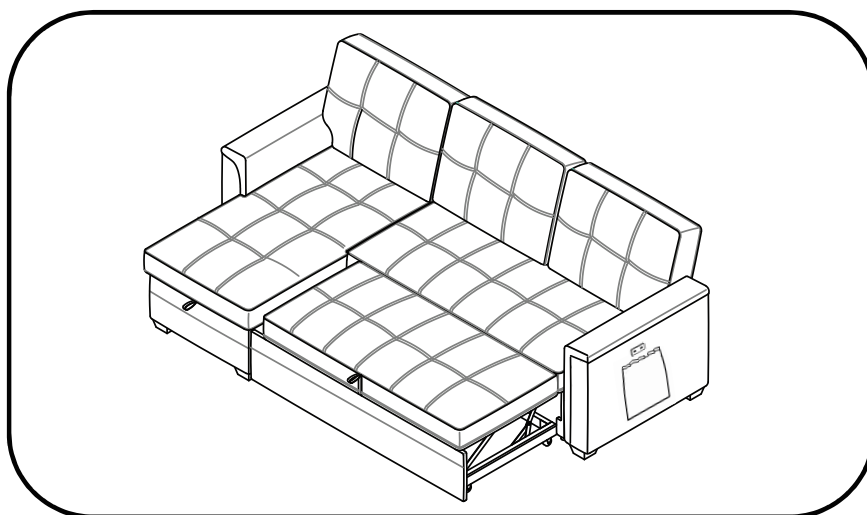


Reversible Sleeper Sectional with Storage and USB Ports



Assembly Instructions

Product Dimensions:
84.25"L×54.33"D×33.46"H

Please take a moment to read through the entire instruction booklet before assembly to familiarize yourself with this product. Once you feel ready to start, follow the instructions step by step and this should make this process as easy as we could make it for you.

WARNING CAUTION

ADULT ASSEMBLY REQUIRED

CHOKING HAZARD

- This product includes small parts, sharp points and sharp edges in its unassembled state. Keep unassembled parts away from children under 3 years of age, and animals.

SAFETY WARNINGS

- Follow the information on the warnings appearing on sofa and on the carton. Do not remove warning label from sofa.
- Do not allow children under 3 years of age to use the sofa.
- Do not use substitute parts. Contact the manufacturer or dealer for replacement parts.

FURNITURE TIP-OVER HAZARD

Children have died from furniture tip-over

To reduce the risk of furniture tip-over:

- ALWAYS install tip-over restraint especially if used by a wall or in the open.
- NEVER put a TV on this product
- NEVER allow children to stand, climb or hang on drawers, doors, or shelves.
- NEVER open more than one drawer at a time.
- ALWAYS place heaviest items in lowest sofa.

PARENTAL SUPERVISION IS REQUIRED

- Parents or Guardians should supervise use under the intended age specifically regarding children that may have access to it and climb on the unit.
- Do not allow horseplay on, under, or behind the unit and prohibit jumping on the sofa.
- If used improperly, your table may be pulled over or fall, creating risk of injury or damage. Children should not be permitted to climb or pull on the sofa.

USE, MAINTENANCE & ASSEMBLY

- Periodically check and ensure that the components are in their proper position, free from damage, and that all connectors are tight.
- Use on level surfaces only. Assemble on a soft level surface to avoid damage to unit or floor.
- Do not use this item if any components are missing or damaged.
- Do not use substitute parts. Contact the manufacturer or dealer for replacement parts.
- Only clean using damp cloth and mild detergent, do not use bleach or abrasive cleaners.
- Check you have all components and tools listed on page 4
- Do not stand or put weight on this product during assembly, this could cause damage.
- Remove all hardware from the plastic bags and separate them into groups.
- Assemble the item as close to its final position (in the same room) as possible.
- Certain assembly steps may be easier with 2 people.
- Dispose of all packaging carefully and responsibly.
- We do not recommend power screwdrivers. Only use hand screwdrivers to prevent damage to unit.
- Keep these instructions for future reference.

Enfants morts suite au basculement d'un meuble.

Afin de limiter le risque de basculement de meuble:

- TOUJOURS utiliser les fixations anti-basculement.
- NE JAMAIS installer de TV sur ce produit.
- NE JAMAIS laisser d'enfants se tenir debout sur les tiroirs, portes ou étagères, y grimper ou s'y suspendre.
- NE JAMAIS ouvrir plus d'un tiroir à la fois.
- TOUJOURS placer les choses les plus lourdes dans les tiroirs du bas.

Han muerto niños por el vuelco de muebles.

Para limitar el riesgo de vuelco de los muebles:

- Utilizar SIEMPRE las fijaciones antivuelco que suministran.
- NUNCA instalar un TV sobre este producto.
- NUNCA permitir que los niños se pongan de pie, trepen o se cuelguen de los cajones, puertas o baldas.
- NUNCA abrir más de un cajón a la vez.
- Colocar los objetos más pesados en los cajones inferiores.

CONNECTING ELECTRICITY



WARNING ELECTRICAL SHOCK HAZARD

Misuse Can Result in **FIRE** Or **DEATH** by **ELECTRICAL SHOCK**.
Please read carefully and Follow All Directions

BEFORE USE:

- A Cord Set Not to be Marked For Outdoor Use is To Be Used Indoors Only.
- Inspect Thoroughly Before Each Use.
- **DO NOT USE IF DAMAGED.**
- Look for the **NUMBER OF WATTS** ON Appliances to Be Plugged Into Cord.
- See PRODUCT or LABEL Markings for SPECIFIC WATTAGE.
- Do Not Plug More Than the **SPECIFIED NUMBER OF WATTS** Into This Cord.
- Do Not Run Through Doorways, Holes in Ceilings, Walls or Floors.
- Make sure Appliance is OFF Before Connecting Cord into Outlet.
- **FULLY INSERT** Plug into Outlet.
- Do Not Remove, Bend or Modify Any Metal Prongs or Pins of Cord.
- Do Not Use Excessive Force to Make Connections.
- Do Not Connect a Three-Prong Plug to a Two-Hole Cord.

DURING USE:

- Keep Away From Water.
- **DO NOT USE WHEN WET.**
- Keep Children and Pets Away from Cord.
- Do Not Plug one Extension Cord into Another.
- **AVOID OVERHEATING.** Uncoil Cord and Do Not Cover it with Any Material.
- Do Not Drive, Drag or Place Objects Over Cord.
- Do Not Walk On Cord.

AFTER USE:

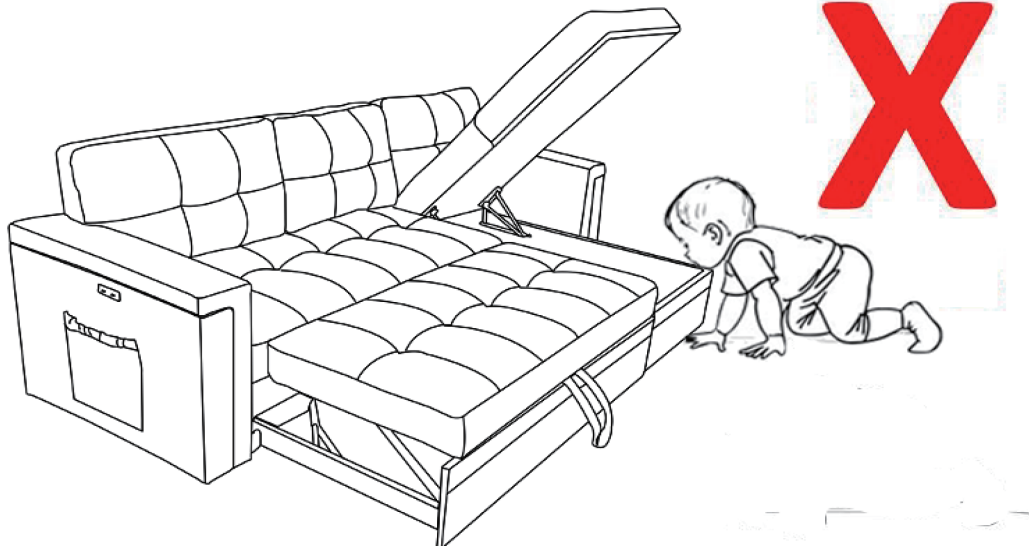
- **GRASP PLUG** to Remove from Outlet.
- Always Store Cord INDOORS.
- Always Unplug When Not In Use.
- Do Not Unplug By Pulling on Cord.

WARNING: Cancer and Reproductive Harm -<https://www.p65warnings.ca.gov/products/furniture-products>

DO NOT REMOVE THIS TAG.

READ AND SAVE THESE INSTRUCTIONS

⚠ WARNING -- CHILD CRUSH HAZARD
 DO NOT ALLOW CHILD TO PLAY ON
 AROUND OR UNDER FOOTREST or CHAISE.



⚠ AMPUTATION HAZARD

⚠ TIP-OVER HAZARD

Chair can fold when buttons are pressed. Moving parts can amputate child's fingers. Keep fingers away from moving parts completely. Unfold chair and fully engage before allowing child to sit in chair. Never allow child to operate chair.

To prevent tip-over: Do Not Stand on the sofa recliner unit or the arms. This Motion Reclining Sofa is not a toy.

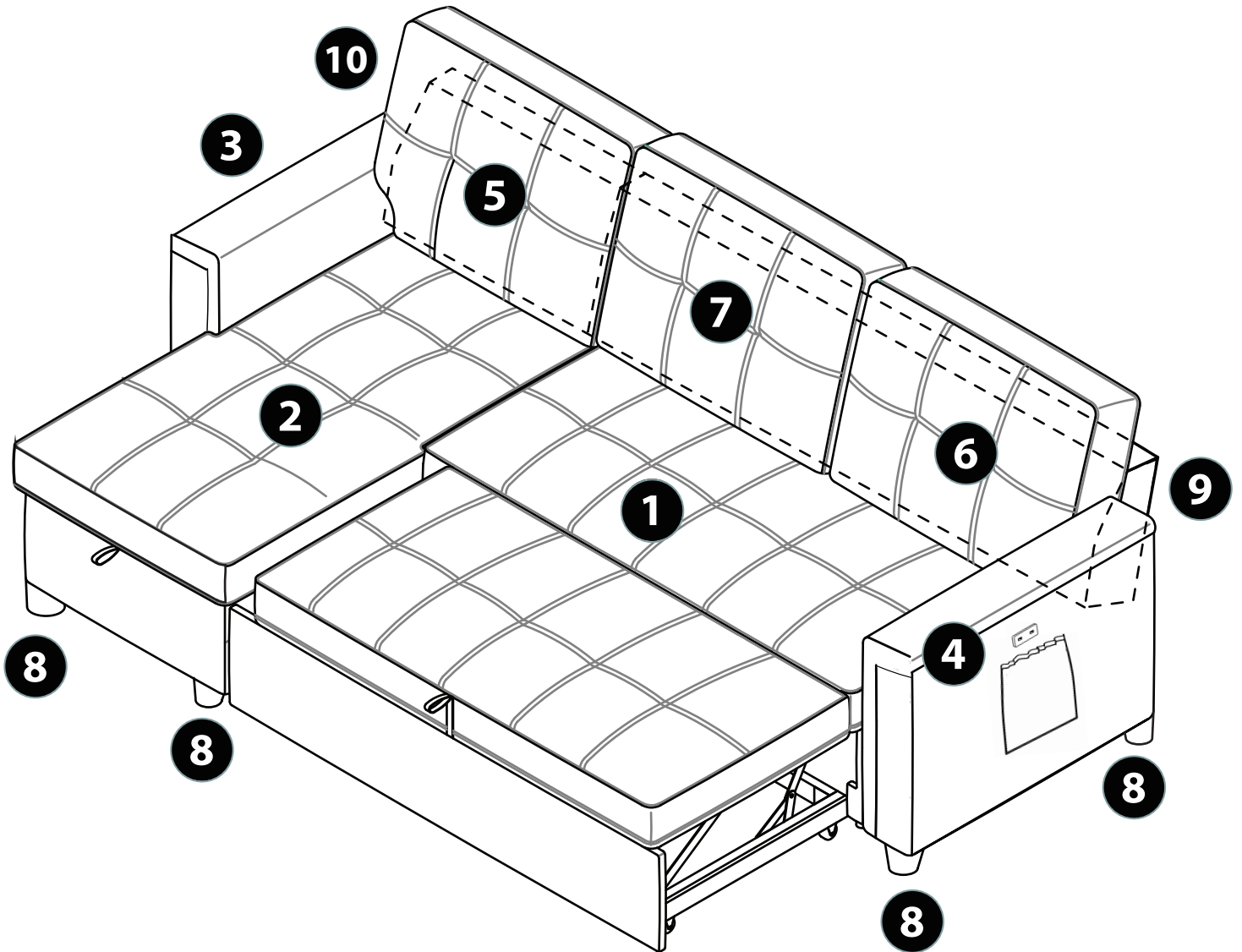
WARNING



Do not allow children to play on the Recliner. Always leave the Recliner in an upright and closed position aft. Keep hands and feet clear of the footrest mechanism and any gap. Don't sit on the armrests of Recliner.

ASSEMBLY AT A GLANCE

Please take a moment to read through the whole instruction booklet before assembly to familiarize yourself with this product. Once you feel ready to start, follow the instructions step by step and this should make this process as easy as we could make it for you.

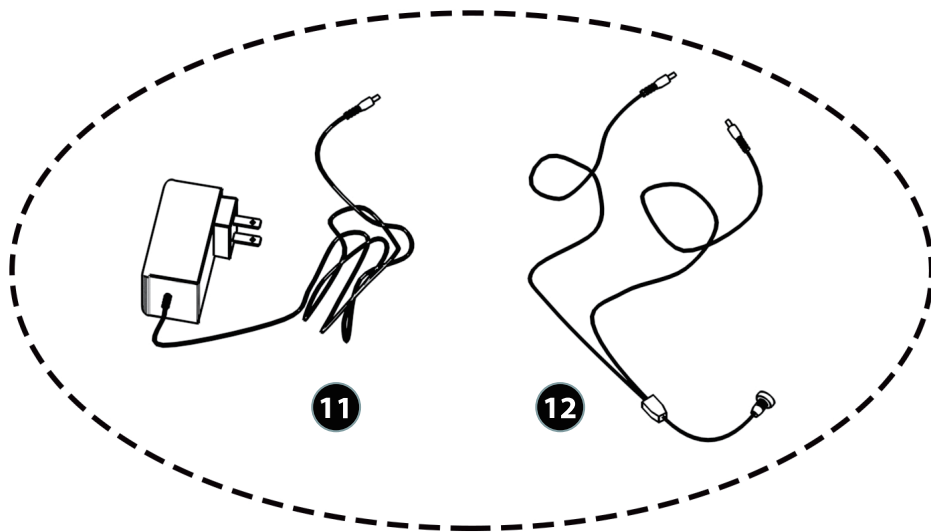
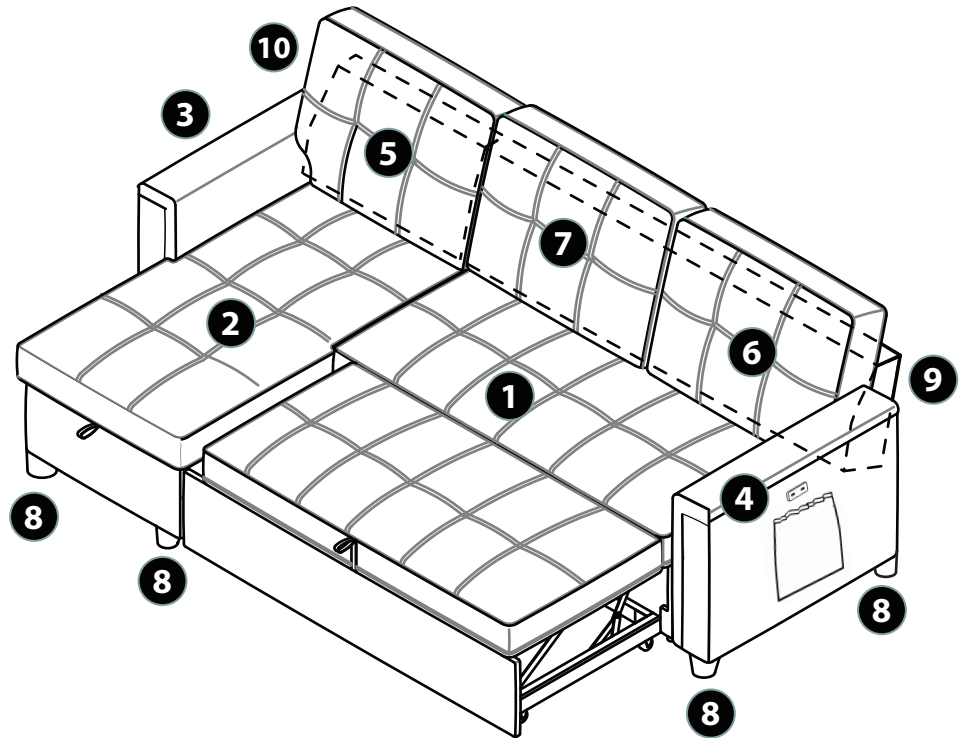


This drawing is to give you an overall idea only of how this assembly will go together and does not replace the assembly instructions.

COMPONENT PARTS

Please check that you have all the parts listed below

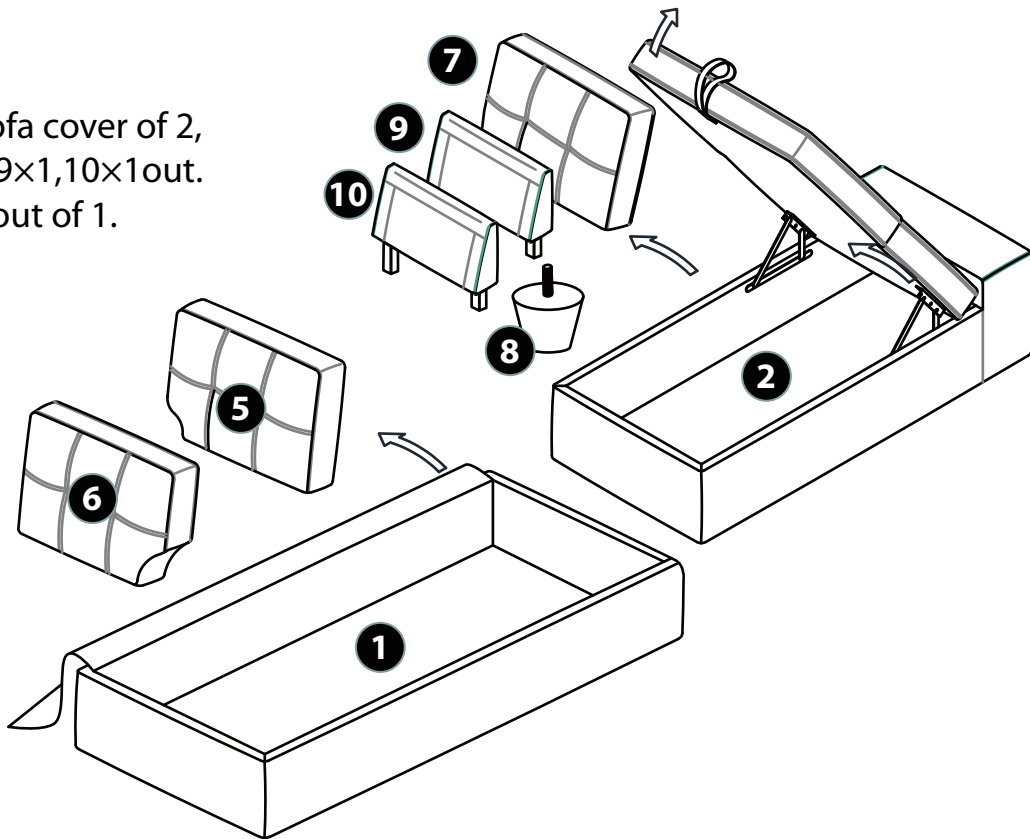
- 1. Frame ×1
- 2. Chaise Frame ×1
- 3. Left Arm ×1
- 4. Right Arm ×1
- 5. Left Back Cushion ×1
- 6. Right Back Cushion ×1
- 7. Middle Back Cushion ×1
- 8. Leg ×12
- 9. Long Back ×1
- 10. Short Back ×1
- 11. Connecting Wire ×1
- 12. Power ×1



ASSEMBLY INSTRUCTIONS

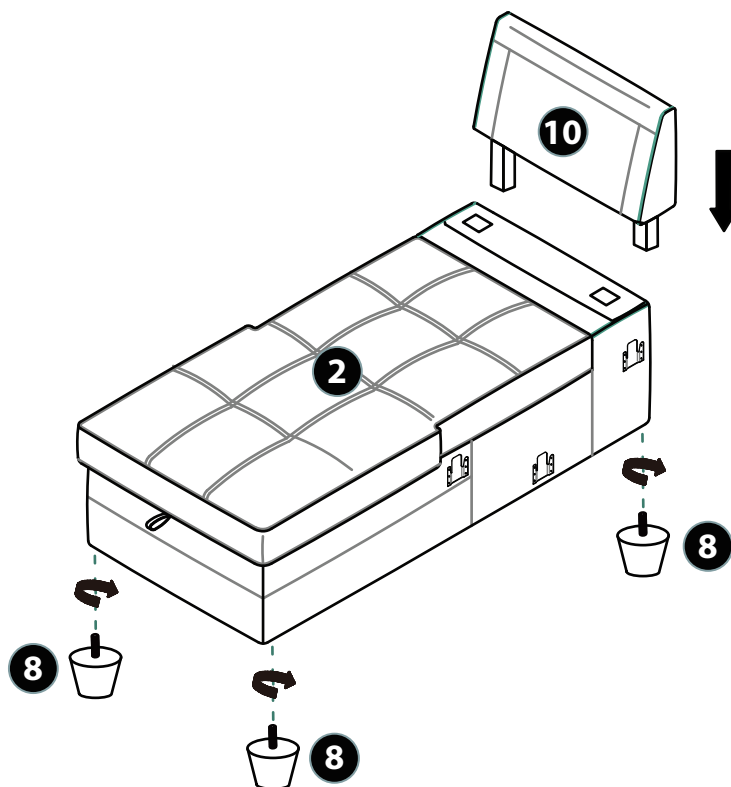
1

Open up the sofa cover of 2,
take 7×1, 8×8, 9×1, 10×1 out.
Take 5×1, 6×1 out of 1.



2

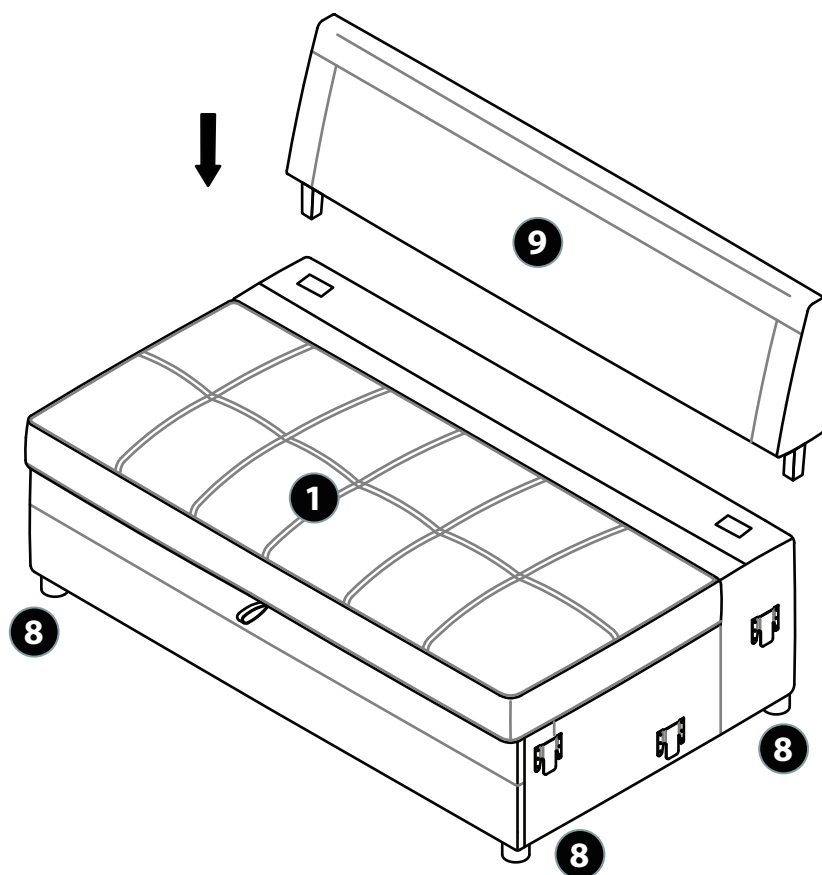
Install 10 into top of 2. Insert
8 × 4 into the bottom of 2.



ASSEMBLY INSTRUCTIONS

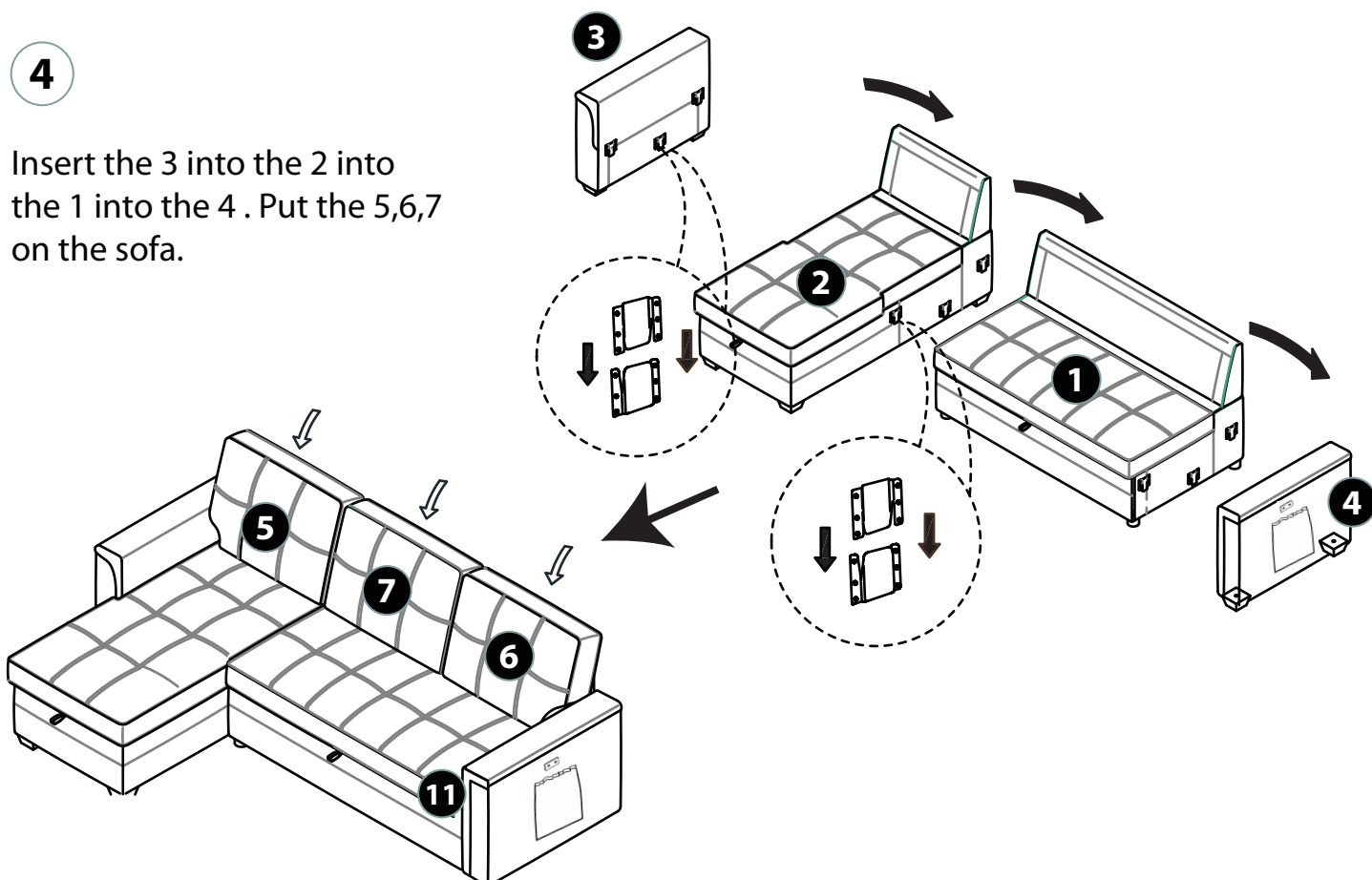
3

Install 9 into 1. Insert 8x4 into the bottom of the 1 tightly.



4

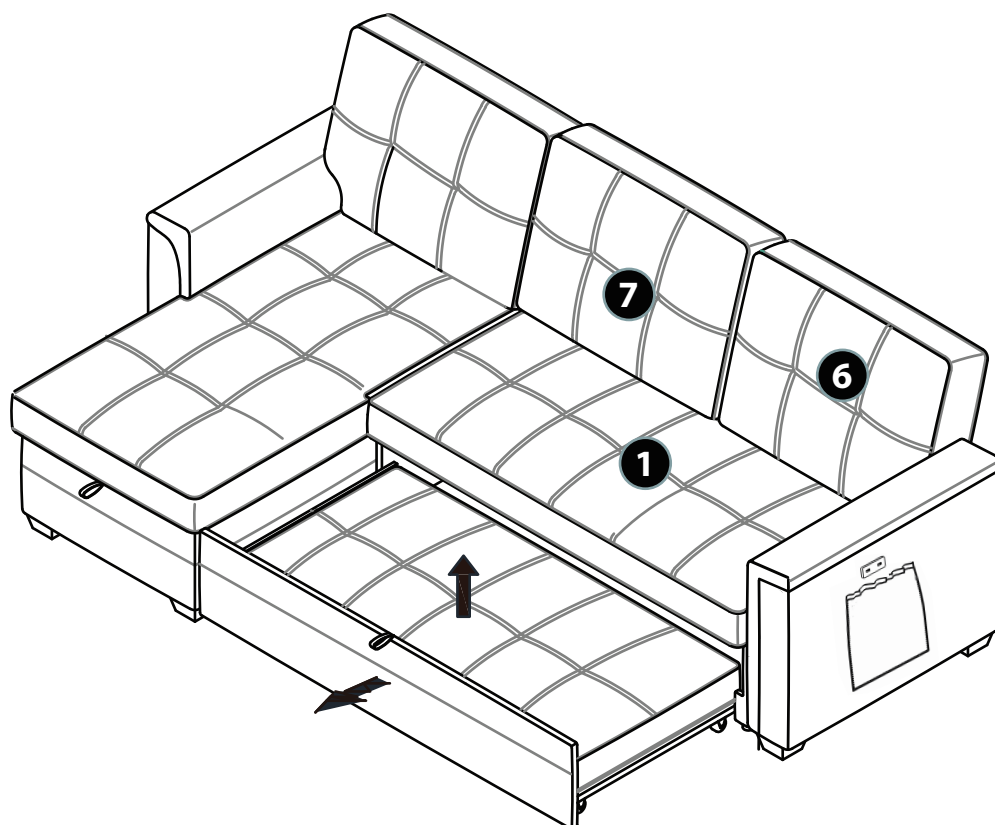
Insert the 3 into the 2 into the 1 into the 4. Put the 5,6,7 on the sofa.



ASSEMBLY INSTRUCTIONS

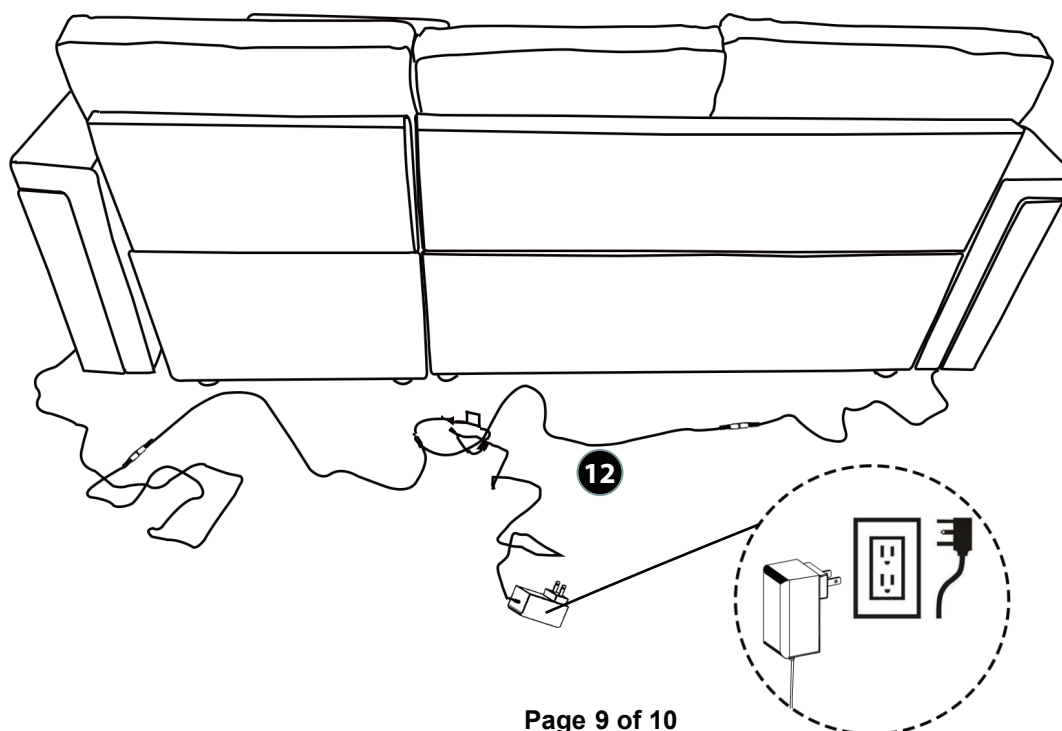
5

Pull out the cushion at the bottom of 1 to lay down as a bed.

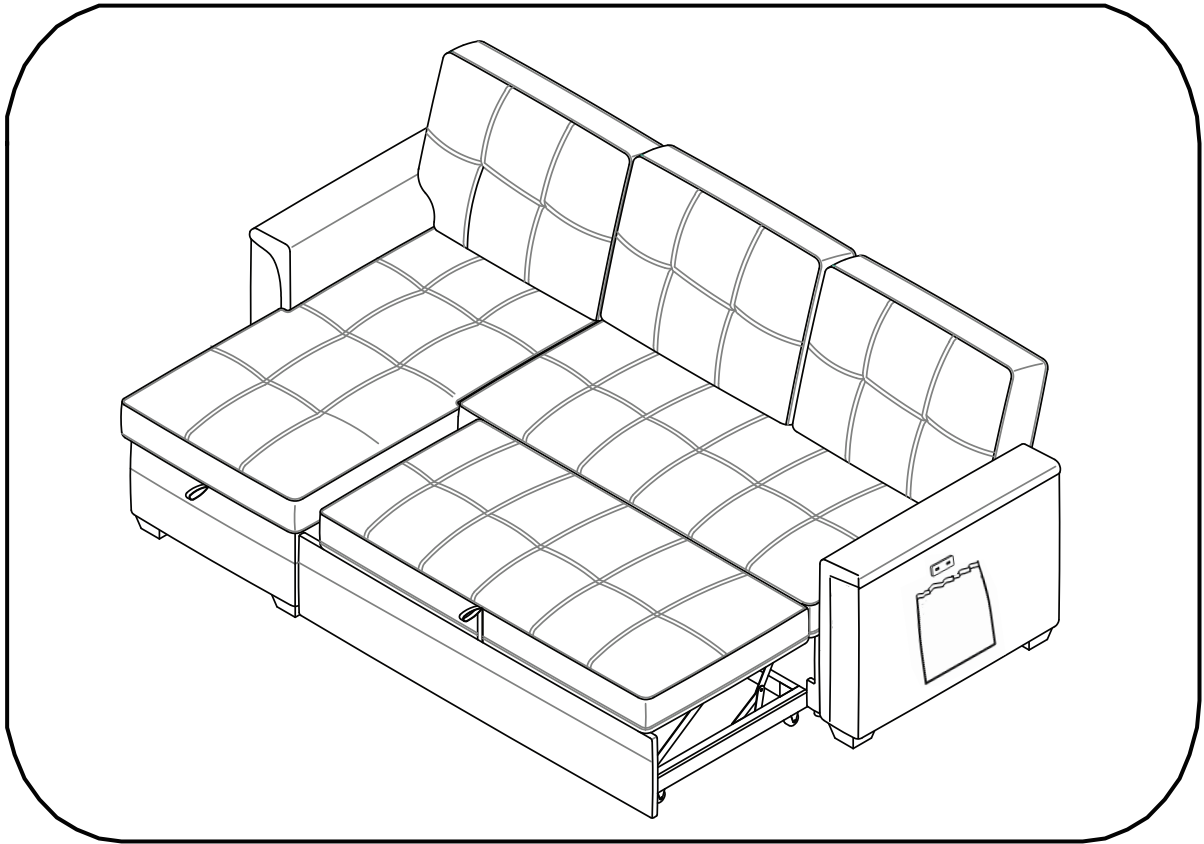


6

Connect 12 to 11 to the Power.



ASSEMBLY COMPLETE



CONGRATULATIONS, YOUR REVERSIBLE SLEEPER SECTIONAL WITH STORAGE AND USB PORTS IS COMPLETE!