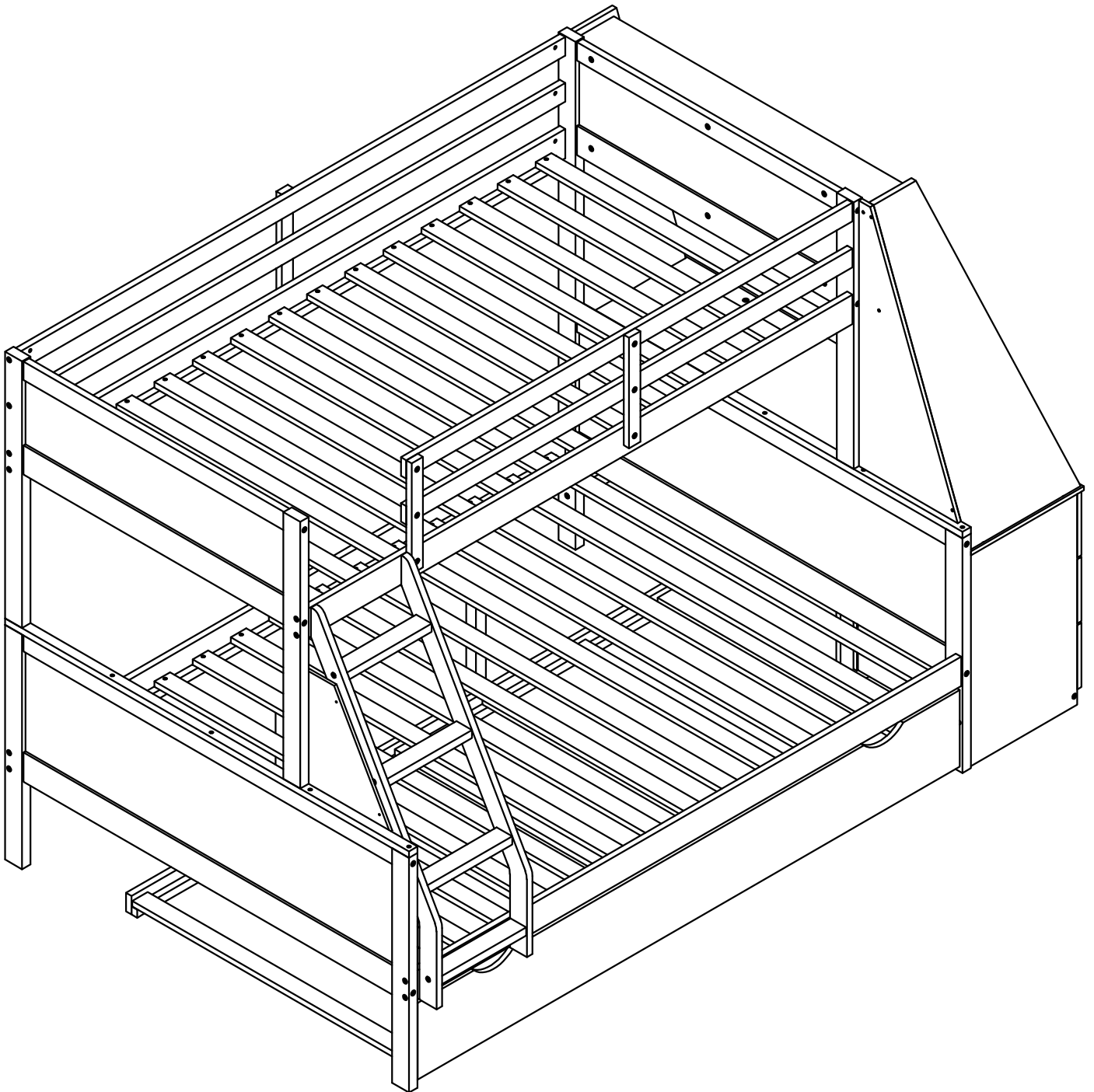


ASSEMBLY INSTRUCTION

This set is included 3 boxes if don't receive full 3 boxes please contact our customer service team



! SAFETY WARNINGS !

1. This bed is designed for use only mattress (es) meeting the following specifications on the upper bunk, and lower bunk

Upper bed










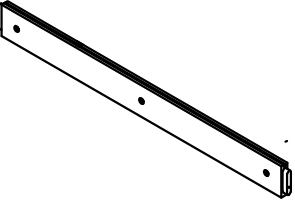
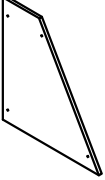

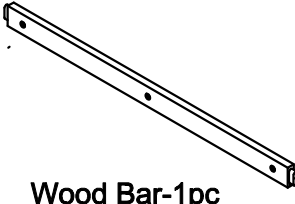
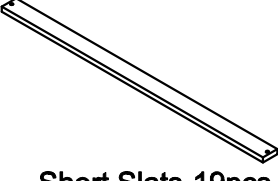
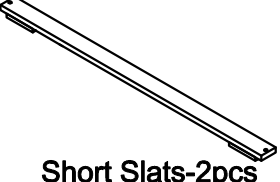
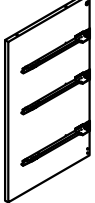

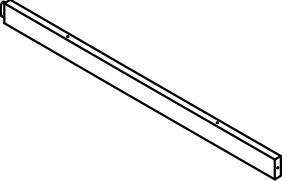
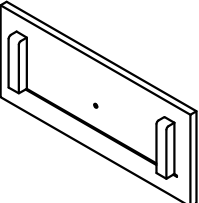
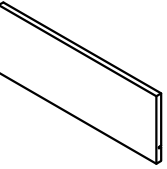
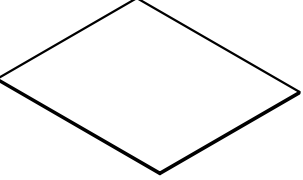
Bed Type	Length	Width	Thickness
<i>Twin Standard</i>	<i>74" - 75"</i>	<i>38 1/2"</i>	<i>6" max</i>

Lower bed

Bed Type	Length	Width	Thickness
<i>Full Standard</i>	<i>74" - 75"</i>	<i>53 1/2"</i>	<i>8" max</i>

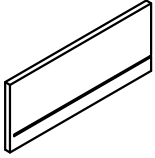
2. Replacement parts, including additional guardrails, maybe obtained from any of our dealers
3. Follow the information on the warnings appearing on the upper bunk bed end structure and on the carton. Do not remove warning label from bed
4. Always use the recommended size mattresses or mattress supports, or both, to help prevent the likelihood of entrapment or falls.
5. Surface of mattress must be at least 5" (127mm) below the upper edge of guardrails
6. Do not allow children under 6 years of age to use the upper bunk.
7. Periodically check and ensure that the guardrail, ladder, and other components are in their proper position, free from damage, and that all connectors are tight.
8. Do not allow horseplay on or under the bed and prohibit jumping on the bed.
9. Always use the ladder for entering and leaving the upper bunkAlways use the ladder for entering and leaving the upper bunk.
10. Do not use substitute part. Contact the manufacture or dealer for replacement part
11. Use of a night light may provide added safety precaution for a child using the upper bunk..
12. Always use guardrails on both long sides of the upper bunk. If the bunk bed will be placed next to the wall, the guardrail that runs the full length of the bed should be placed against the wall to prevent entrapment between the bed and wall.
13. The use of water or sleep flotation mattresses is prohibited
14. STRANGULATION HAZARD - Never attach or hang items to any part of the bunk bed that are not designed for use with the bed; for example, but not limited to, hook, belts and jump ropes
15. Keep these instruction for future reference
16. Prohibit more than one person on upper bunk
17. We recommend assembling your bunk bed on the shipping carton to protect your floor or carpet
18. Be certain all staples are out of the box before beginning assembly on the shipping carton.

Part List

<p>A1</p>  <p>Leg-1pc</p>	<p>A2</p>  <p>Leg-1pc</p>	<p>A3</p>  <p>Leg-1pc</p>
<p>A4</p>  <p>Leg-1pc</p>	<p>A5</p>  <p>Leg-1pc</p>	<p>A6</p>  <p>Leg-1pc</p>
<p>A7</p>  <p>Leg-1pc</p>	<p>A8</p>  <p>Leg-1pc</p>	<p>B5</p>  <p>Wood Bar-1pc</p>
<p>B6</p>  <p>Wood Bar-1pc</p>	<p>T1</p>  <p>Panel-1pc</p>	<p>B8</p>  <p>Wood Bar-1pc</p>
<p>B9</p>  <p>Wood Bar-1pc</p>	<p>D1</p>  <p>Short Slats-19pcs</p>	<p>D5</p>  <p>Short Slats-2pcs</p>
<p>E4</p>  <p>Side Panel-1pc</p>	<p>E6</p>  <p>Side Panel-1pc</p>	<p>E7</p>  <p>Wood Bar-1pc</p>
<p>L1</p>  <p>Drawer-Front Panels-3pcs</p>	<p>L2</p>  <p>Drawer-Back Panels-3pcs</p>	<p>L3</p>  <p>Drawer-Bottom Panels-3pcs</p>

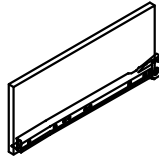
Part List

L4



Drawer-Side Panels-3pcs

L5



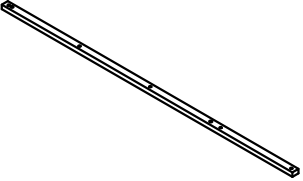
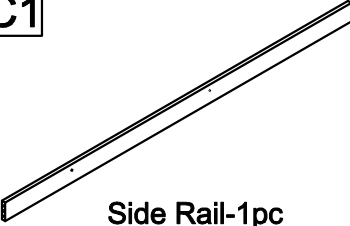
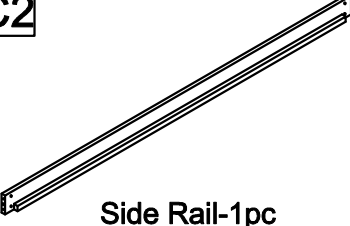
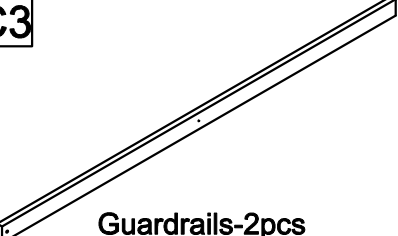
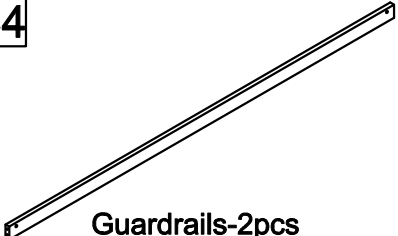

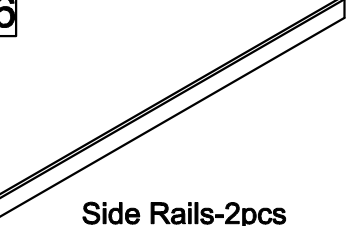
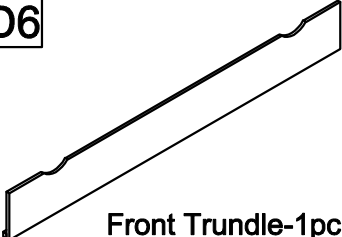
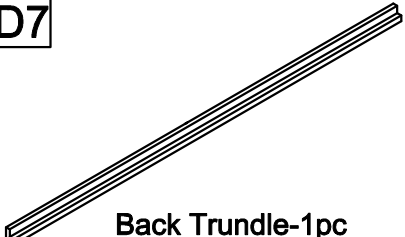
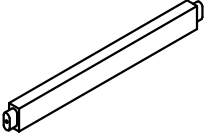
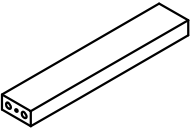
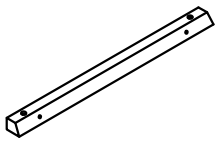
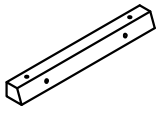
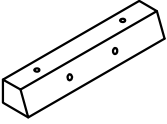
Drawer-Side Panels-3pcs

E2


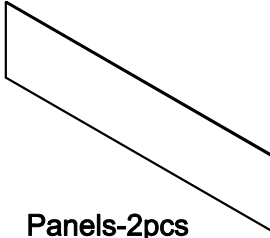
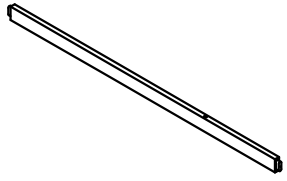
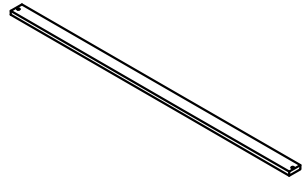
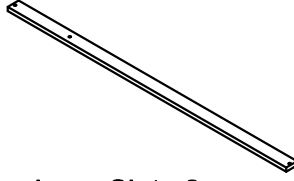
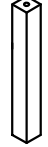
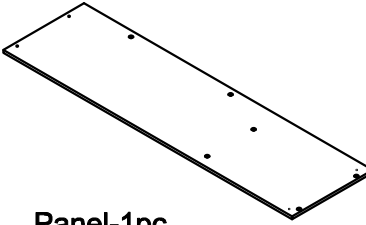
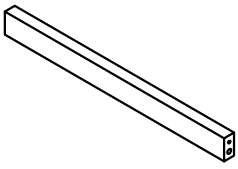
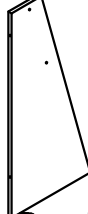
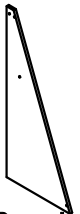
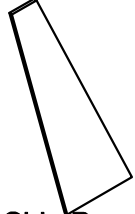
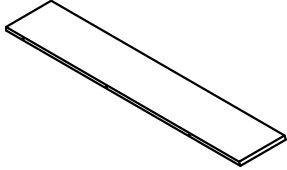
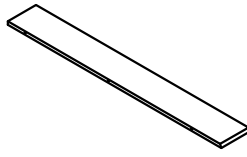


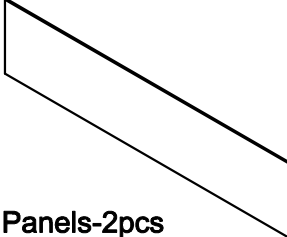


Leg-1pc



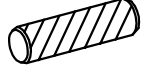
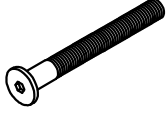






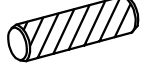

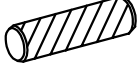

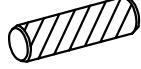


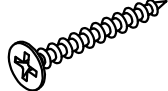
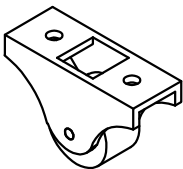

Part List

B4  Wood Bars-2pcs	C1  Side Rail-1pc	C2  Side Rail-1pc
C3  Guardrails-2pcs	C4  Guardrails-2pcs	C5  Rails-3pcs
C6  Side Rails-2pcs	D6  Front Trundle-1pc	D7  Back Trundle-1pc
E1  Wood Bar-1pc	K3  Step Stairs-4pcs	F2  Client-1pc
F3  Client-1pc	F4  Client-1pc	

Part List & Hardware List

B1  Wood Bars-2pcs	B2  Panels-2pcs	B3  Wood Bars-2pcs
D2  Long Slats-12pcs	D3  Long Slats-2pcs	D4  Support Slats-2pcs
E3  Panel-1pc	E5  Wood Bar-1pc	E8  Side Panel-1pc
E9  Side Panel-1pc	F1  Side Panel-1pc	F5  Panel-1pc
F6  Panel-1pc	K1  Side Stair-1pc	K2  Side Stair-1pc
B7  Panels-2pcs		

Hardware List

<p>1</p>  <p>Screws 1/4" x80 17pcs</p>	<p>2</p>  <p>M4 x 30 mm Wood Screws 120pcs</p>	<p>3</p>  <p>Ø10 x 40 mm Wood dowel 30pcs</p>
<p>4</p>  <p>Ø1/4" x 80 mm Hex-Head bolts 22pcs</p>	<p>5</p>  <p>Ø1/4" x 13 mm Horizontal-Hole bolts 22pcs</p>	<p>6</p>  <p>Allen Key 1pc</p>
<p>7</p>  <p>Ø1/4" x 30 mm Hex-Head bolts 12pcs</p>	<p>8</p>  <p>Screws 1/4" x30 8pcs</p>	<p>9</p>  <p>Ø1/4" x 15 mm Canopy head though -3pcs</p>
<p>10</p>  <p>Ø1/4" x 25 mm Hex-Head bolts 7pcs</p>	<p>11</p>  <p>Ø12 x 70 mm Wood dowel 4pcs</p>	<p>12</p>  <p>Screws 1/4" x50 13pcs</p>
<p>13</p>  <p>Ø8 x 30 mm Wood dowel 2pcs</p>	<p>14</p>  <p>Ø1/4" x 40mm Hex-Head bolts 1pc</p>	<p>15</p>  <p>Ø6 x 30 mm Wood dowel 1pc</p>
<p>16</p>  <p>M4 x 20 mm Wood Screws 9pcs</p>	<p>17</p>  <p>Bracket 4 pcs</p>	<p>18</p>  <p>M4 x 15 mm Wood Screws 32pcs</p>
<p>19</p>  <p>Wheels 4pcs</p>	<p>20</p>  <p>Steel Bracket 3pcs</p>	

Hardware List

21



Ø1/6" x 25 mm
Hex-Head bolts 3pcs

22

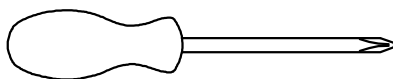


Handle Wood
3pcs

23



Stp trundle
2pcs

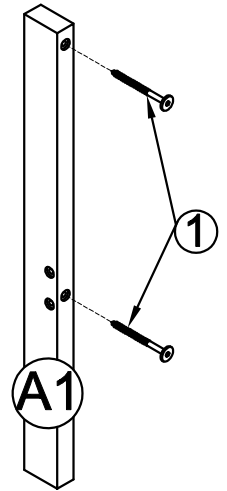
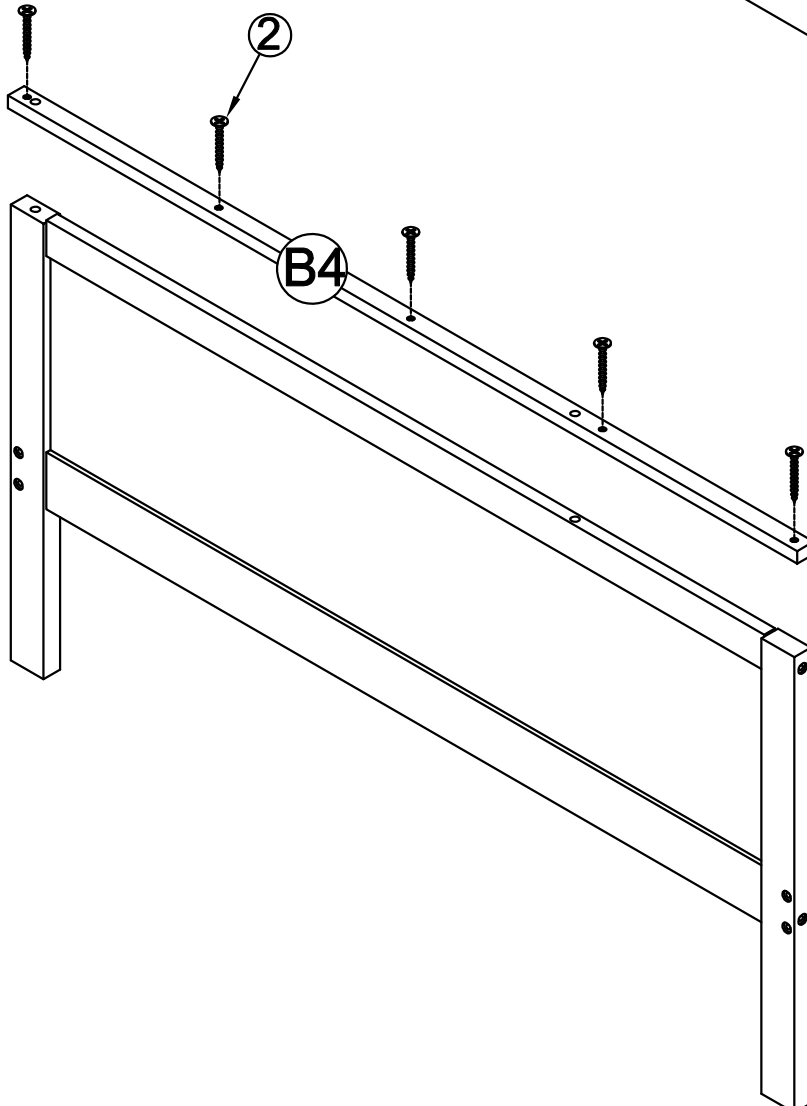
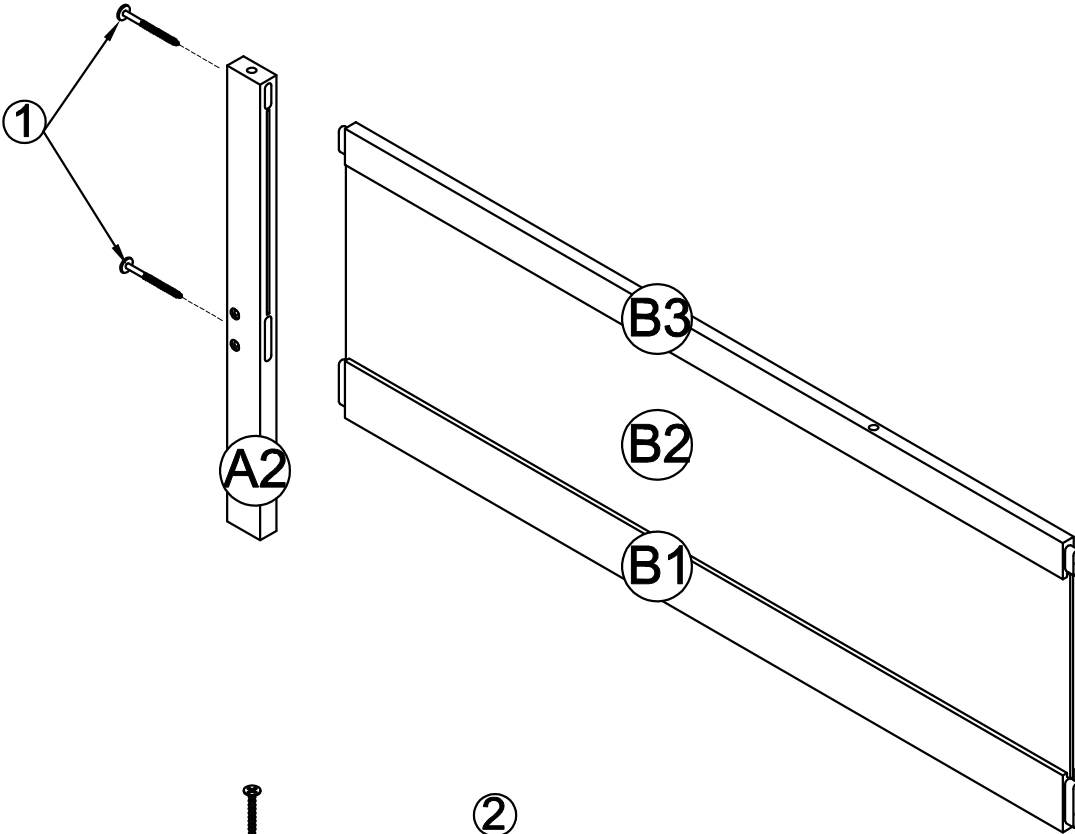


Assembly Tools Required (Not Included)

STEP 1: Following below illustration:

1.1: Using hardware #1 connect A1, A2 legs with B1, B3 Wood bars and B2 Panel

1.2: Using hardware #2 connect Frame (completed 1.1) with B4 Wood bar



1



4pcs

2

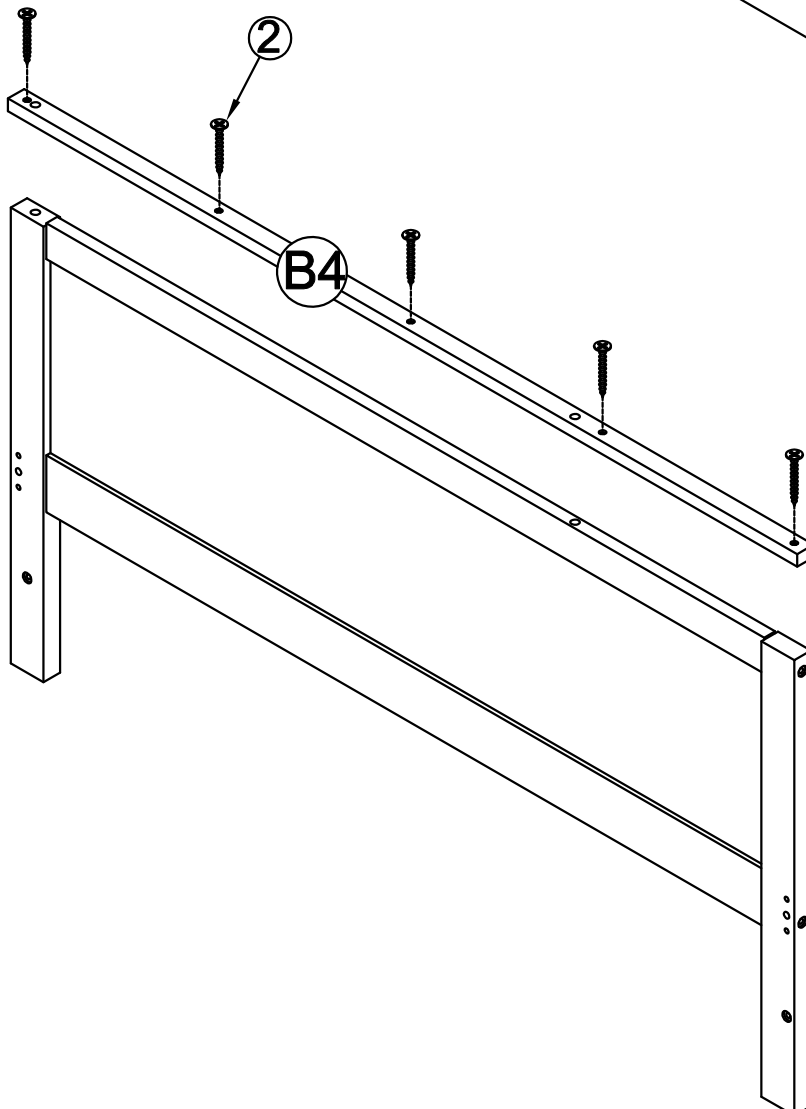
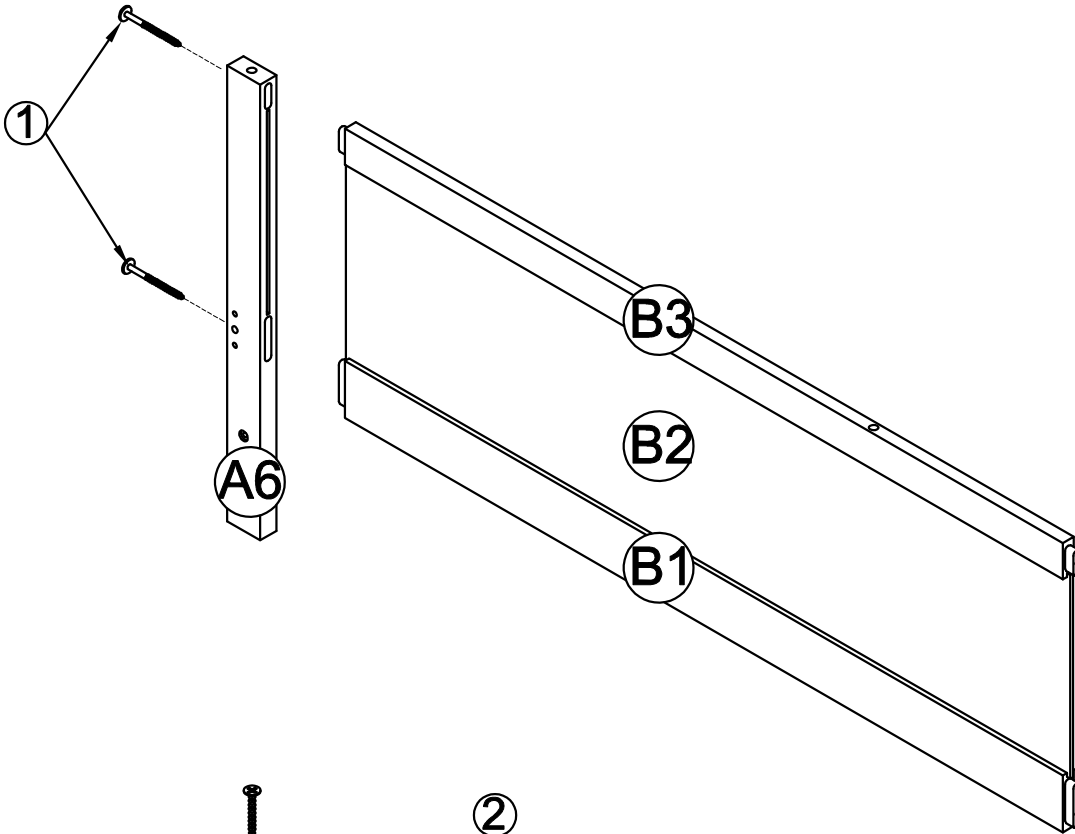


5pcs

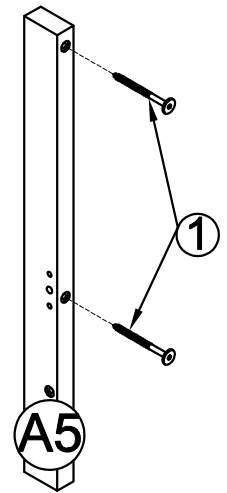
STEP 2: Following below illustration:

2.1: Using hardware #1 connect A5, A6 legs with B1, B3 Wood bars and B2 Panel

2.2: Using hardware #2 connect Frame (completed 2.1) with B4 Wood bar

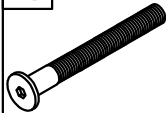




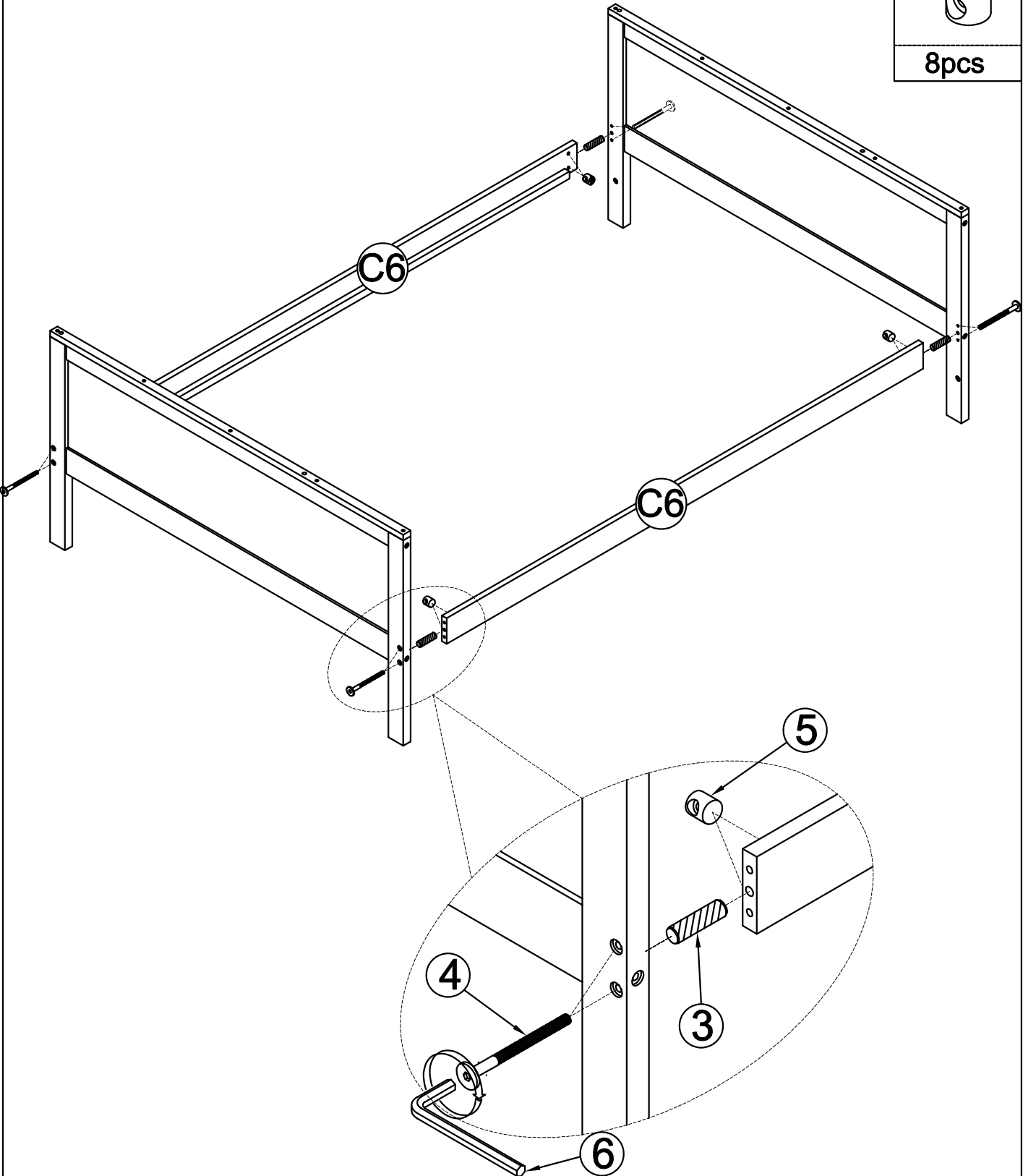
1	
	4pcs
2	
	5pcs



STEP 3: Following below illustration:

- Using hardware #4, #5 and dowel #3 to Assembly Frames (Completed on step 1,2) with siderail C6(x2).
- Look at detail view for more detail

4		3	
8pcs		4pcs	
		5	
		8pcs	



STEP 4:

Following below illustration:

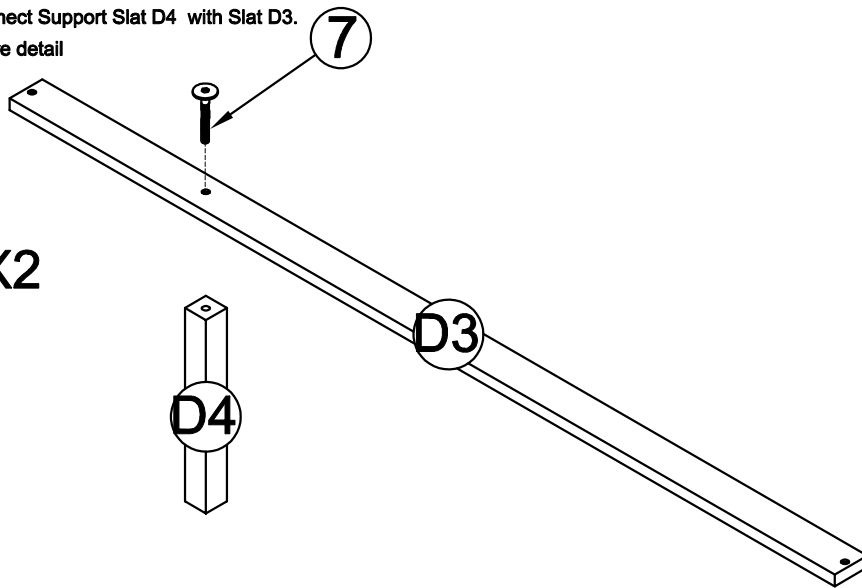
- Using hardward #7 to connect Support Slat D4 with Slat D3.
- Look at detail view for more detail

7



2pcs

X2



STEP 5:

Following below illustration:

- Screw 12 slat D2 and 2 Slat D3 with Side Rail C6 by using hardward #2.
- Look at detail view for more detail

23

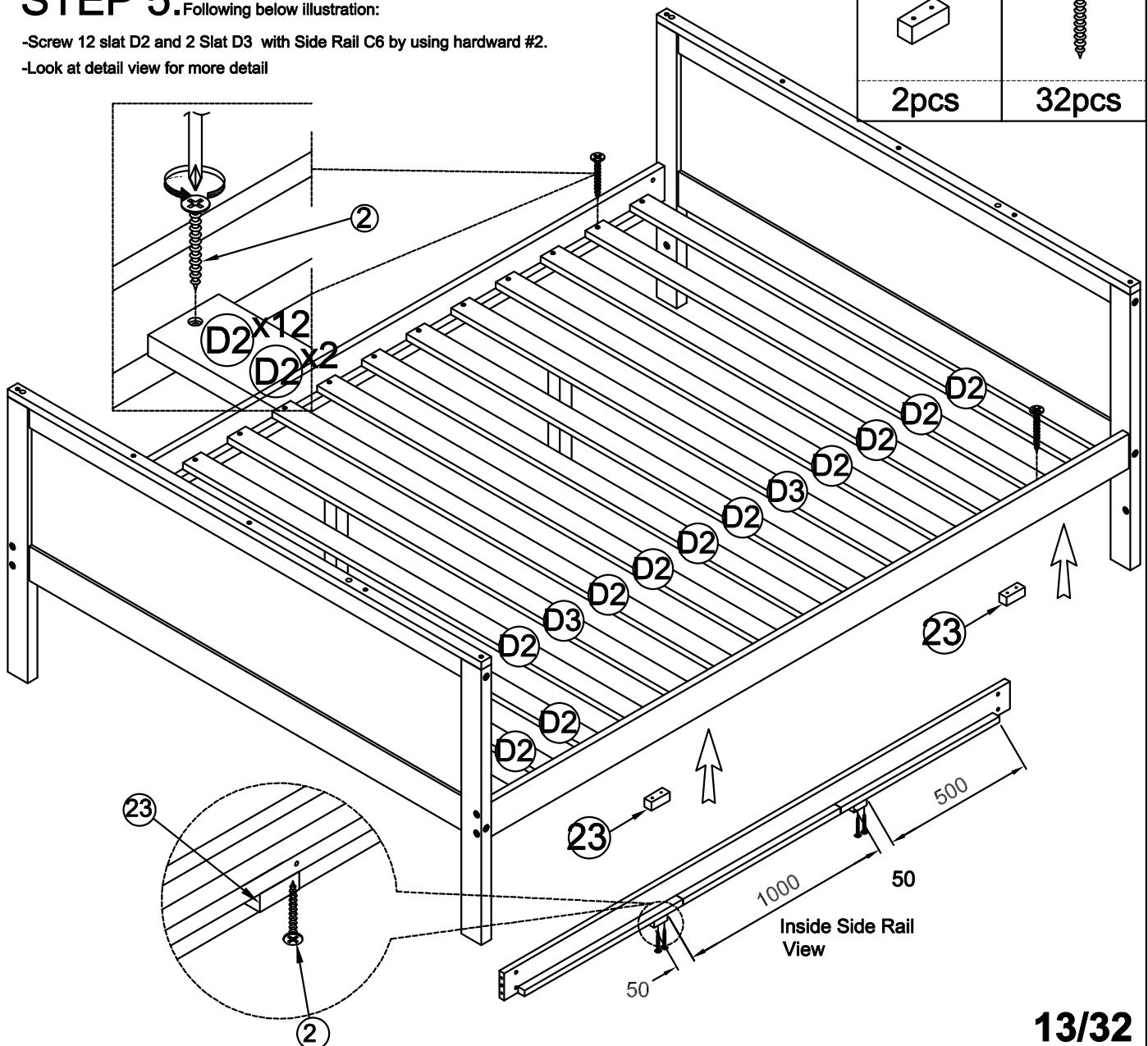


2pcs

2

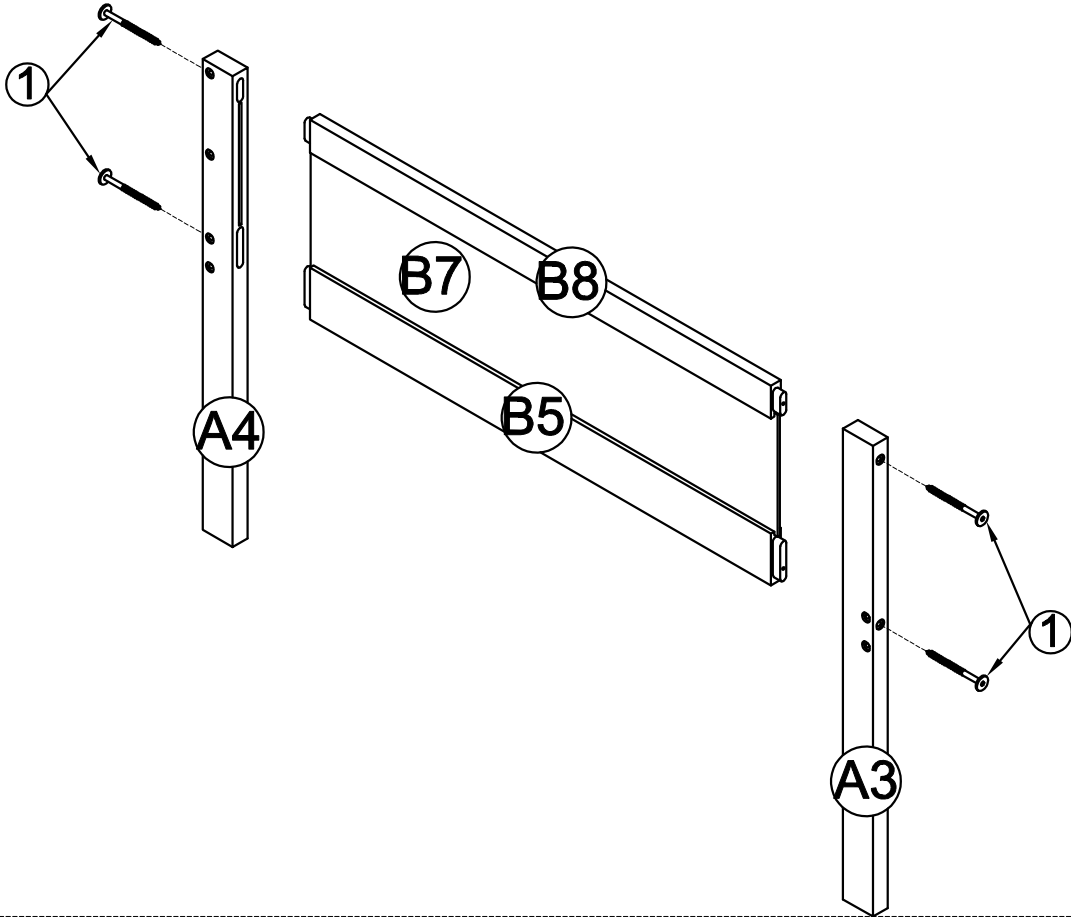


32pcs



STEP 6: Following below illustration:

-Using hardware #1 connect A3,A4 legs with B5,B8 Wood bars and B7 Panel



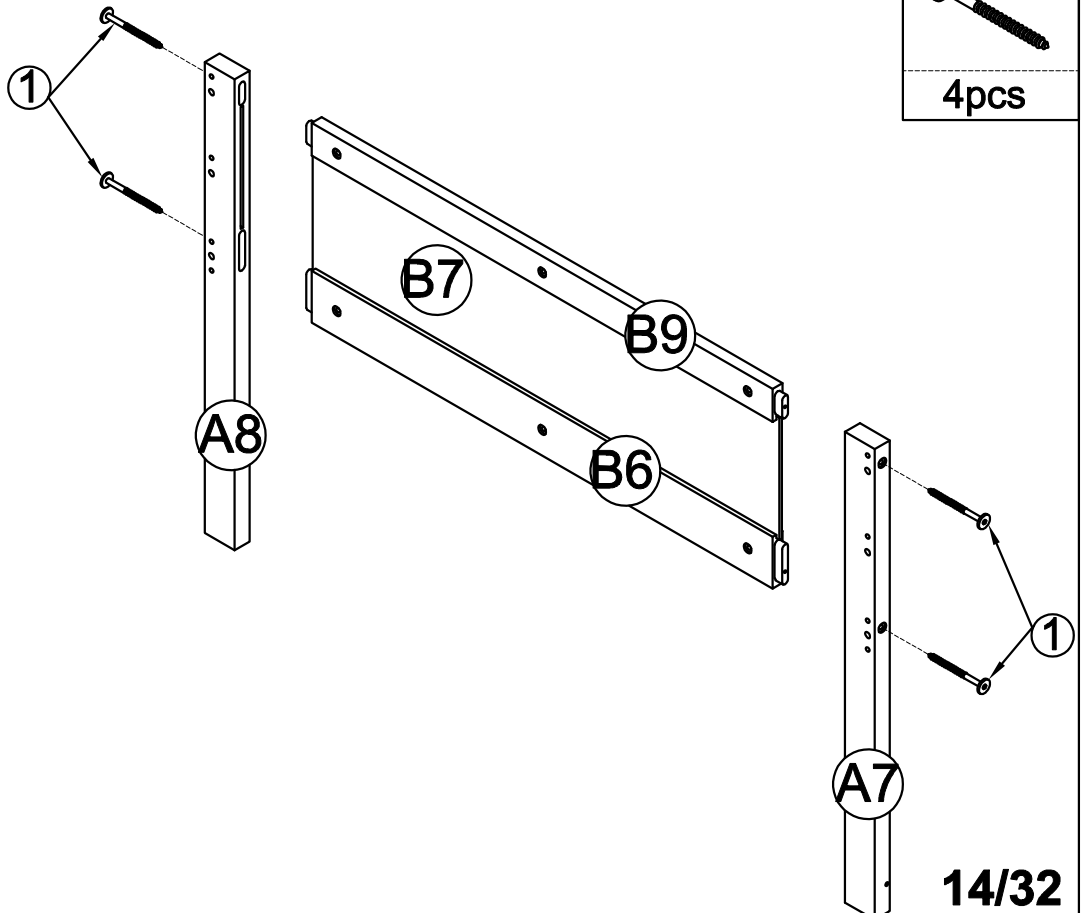
1



4pcs

STEP 7: Following below illustration:

-Using hardware #1 connect A7,A8 legs with B6,B9 Wood bars and B7 Panel



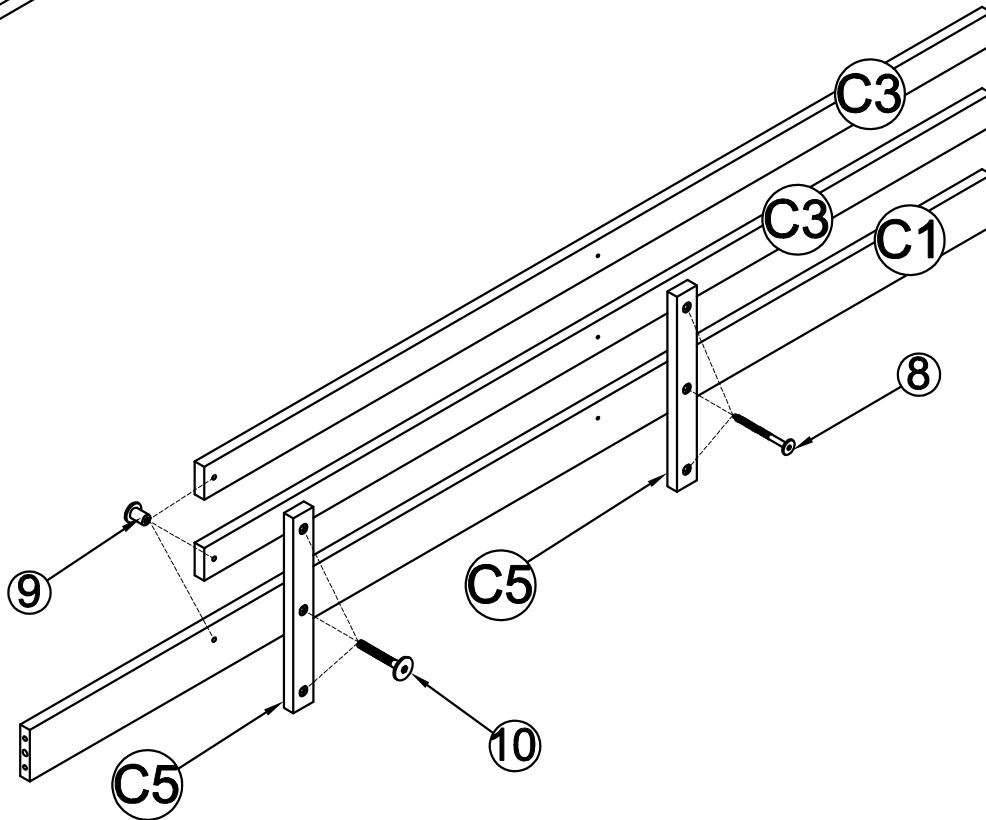
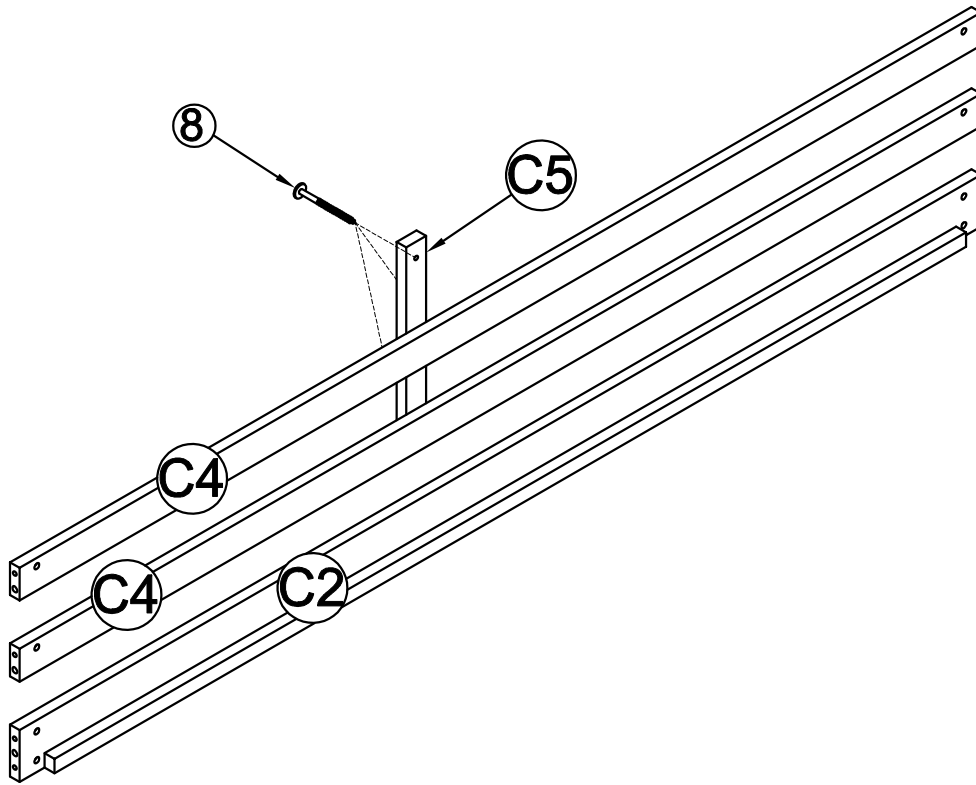
1



4pcs

STEP 8: Following below illustration:

- Using hardware #8 connect C2 Side Rail and C4(x2) Guardrails with C5 Rail
- Using hardware #8,#9,#10 connect C1 Side Rail and C3(x2) Guardrails with C5(x2) Rails



8



6pcs

9



3pcs

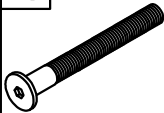


10

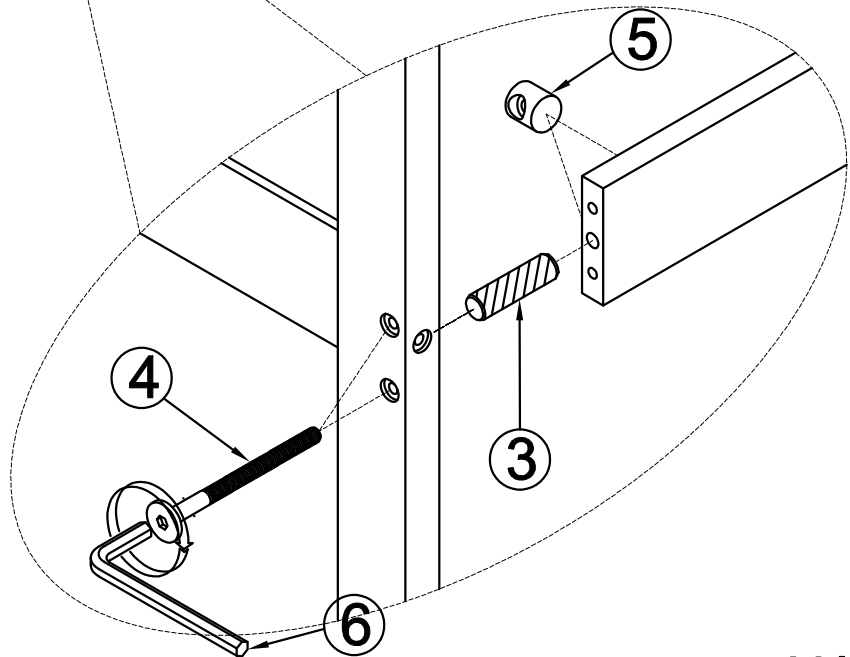
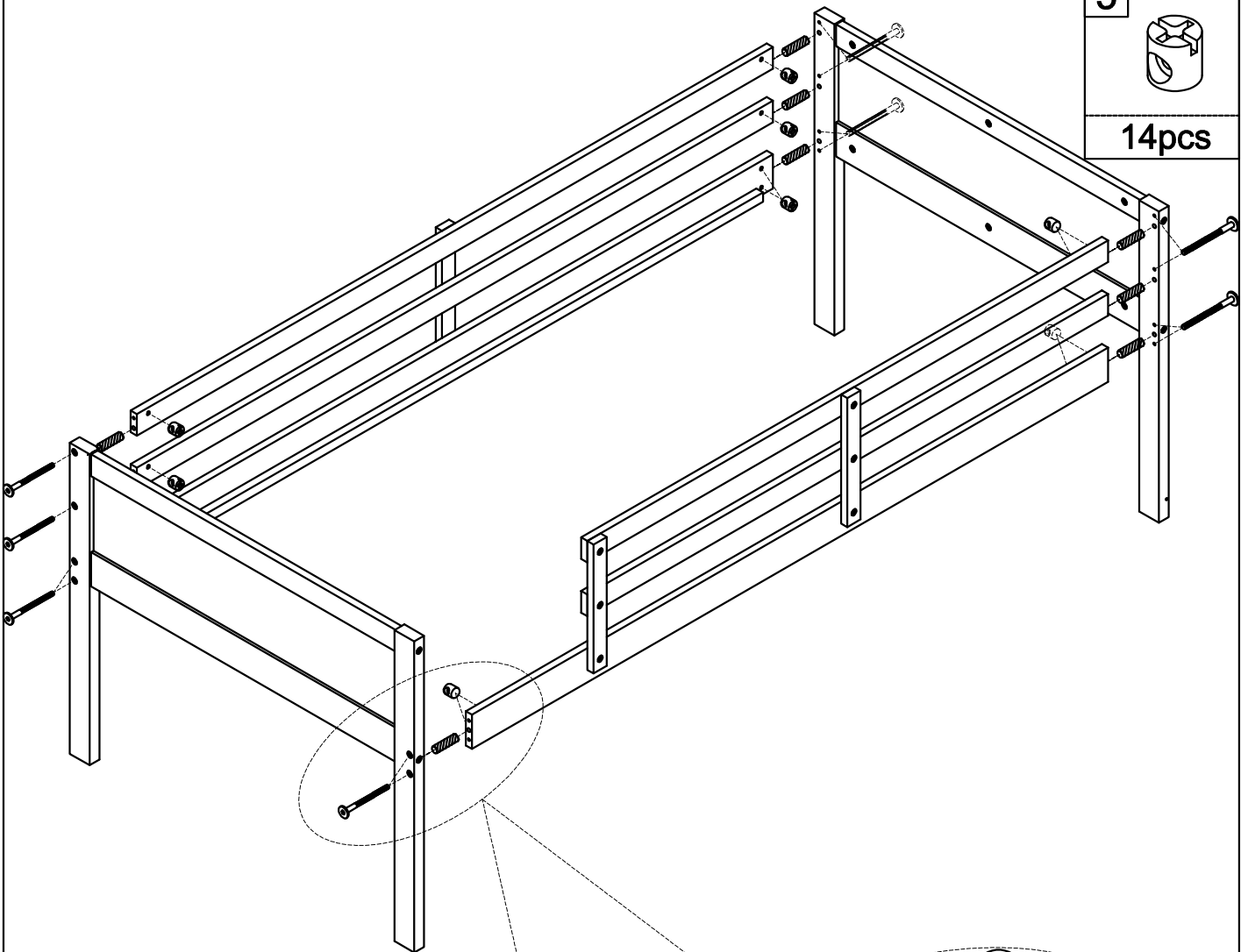


3pcs

STEP 9: Following below illustration:

-Using hardware #4, #5 and dowel #3 to Assembly Frames (Completed on step 6,7) with Frames (Completed on step 8)
-Look at detail view for more detail

4		3	
14pcs		10pcs	
		5	
		14pcs	



STEP 10:

Following below illustration:

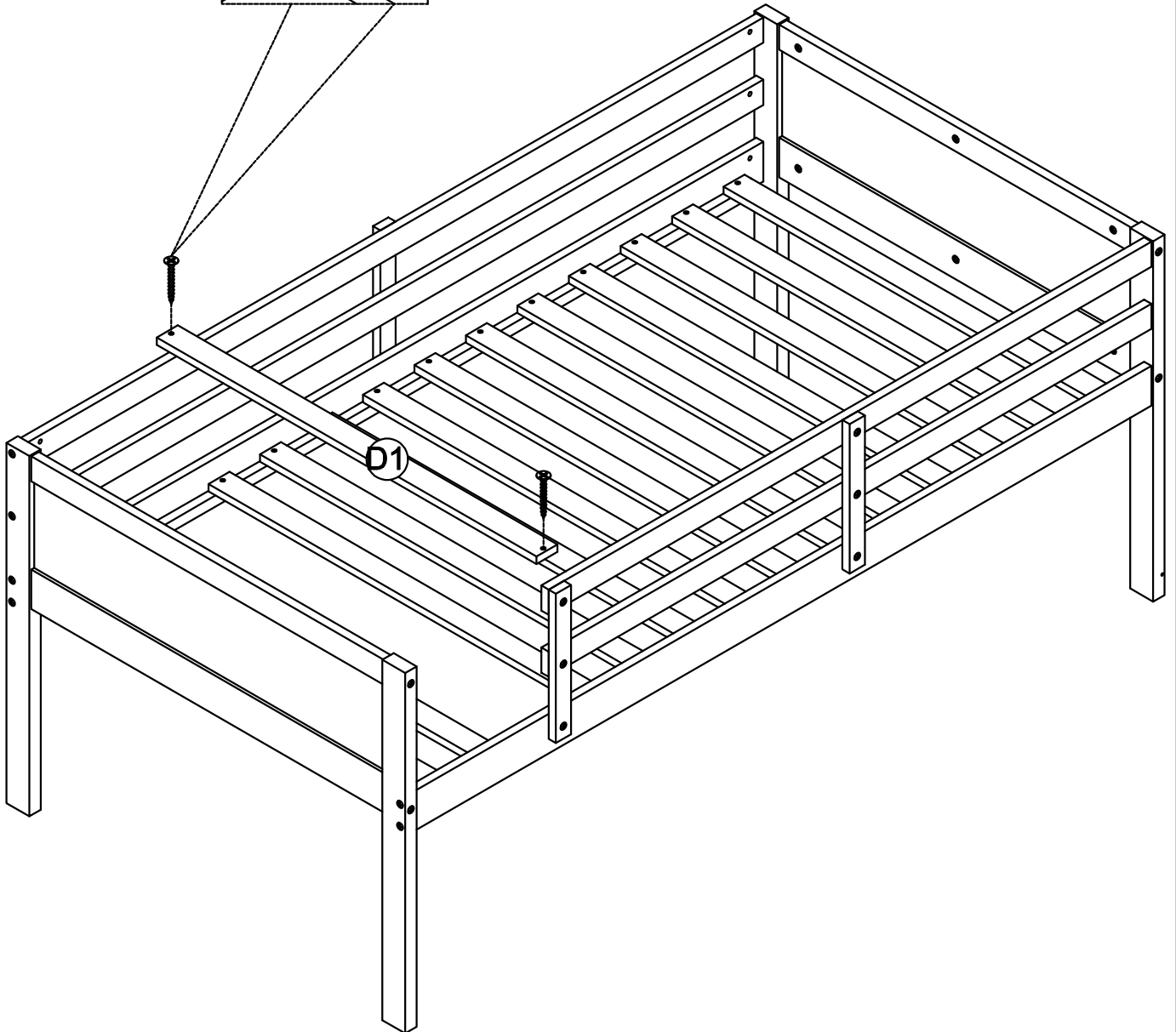
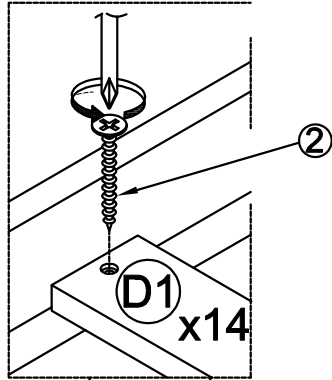
-Screw 14 slat D1 with Side Rail C1,C2 by using hardward #2.

-Look at detail view for more detail

2



28pcs



STEP 11:

Following below illustration:

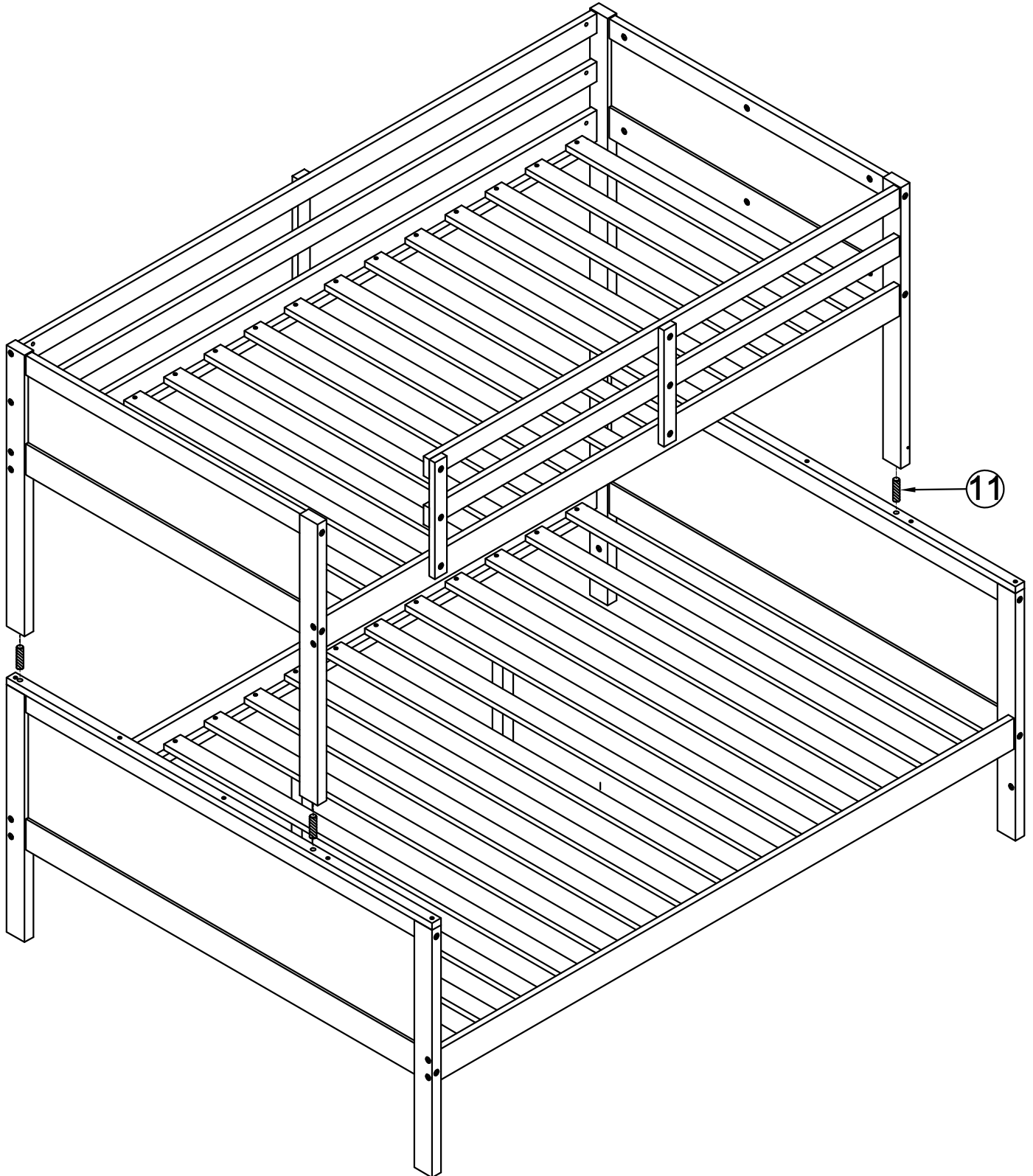
-Using Dowel 11 Fix Frame(completed on step 10) with Frame(completed on step 5).

-Look at detail view for more detail

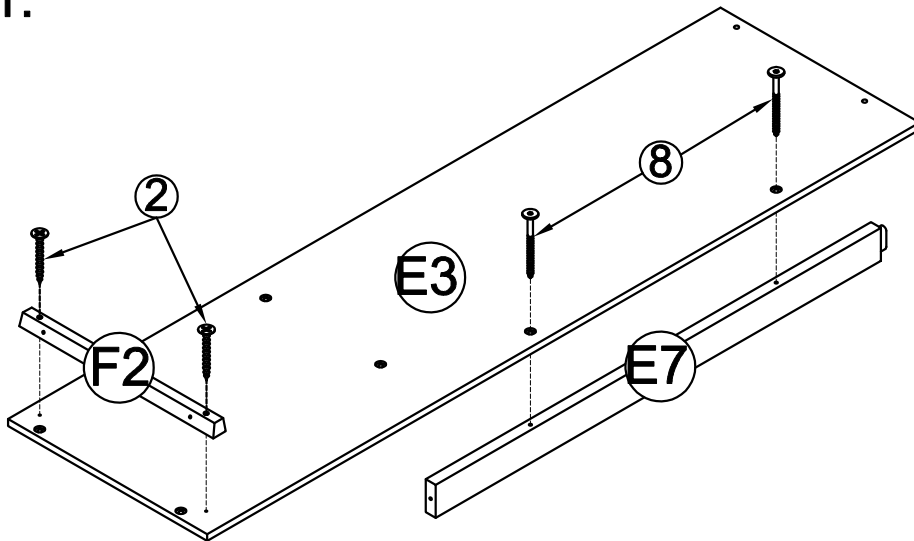
11



4pcs



STEP 12-1:



8



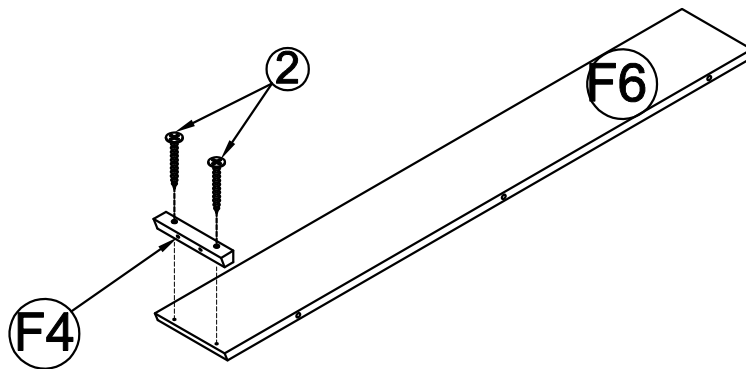
2pcs

2

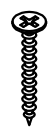


2pcs

STEP 12-2:

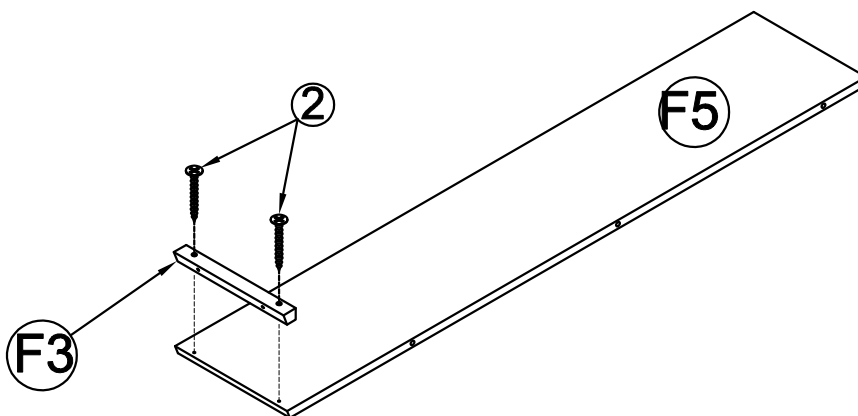


2

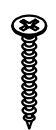


2pcs

STEP 12-3:

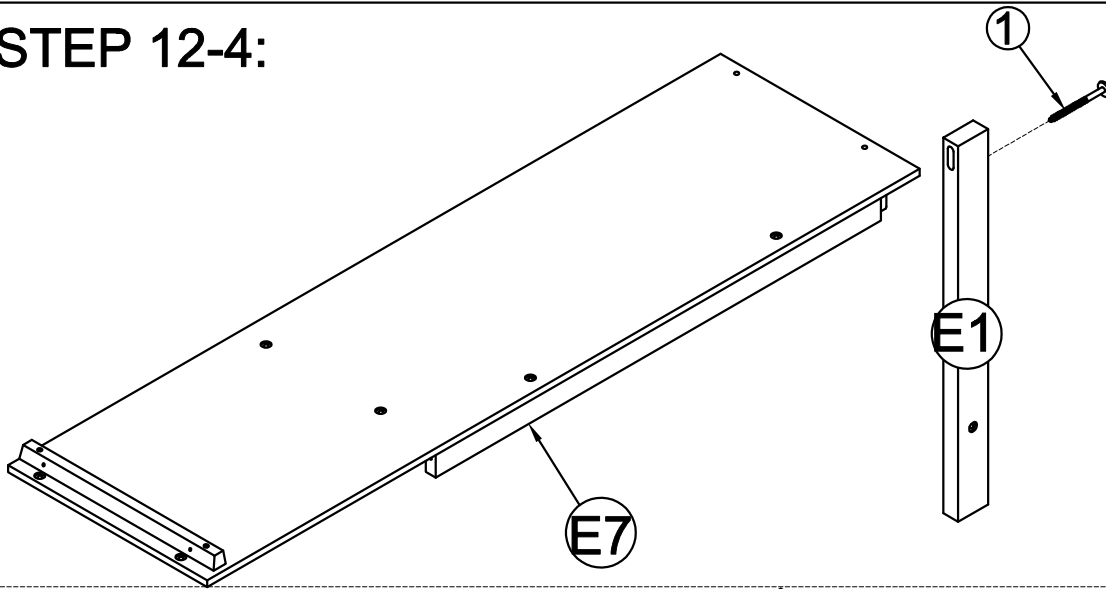



2



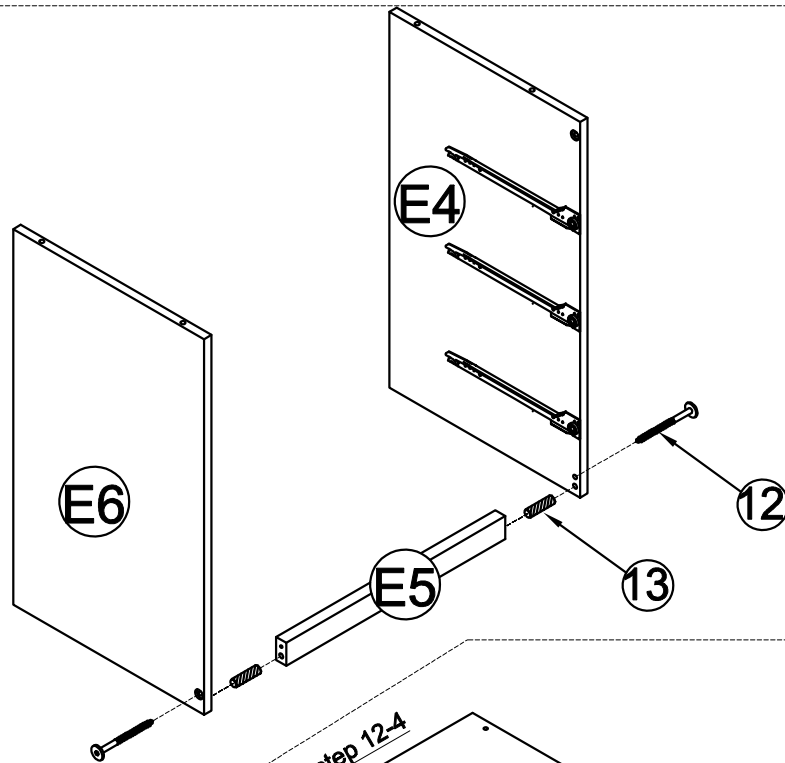
2pcs


STEP 12-4:




1

1pc

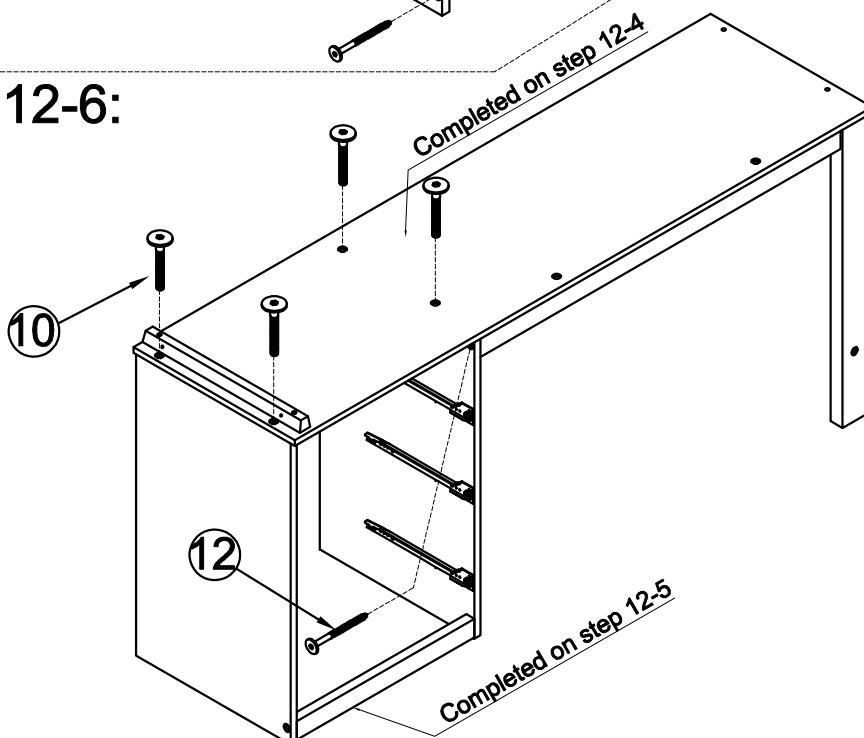
STEP 12-5:





12

2pcs

13

2pcs

STEP 12-6:



12

1pc

10

4pcs

STEP 13: Following below illustration:

- Using hardware #12,#14 to Assembly Frames (Completed on step 11,12-6) with E2 Rail.
- Look at detail view for more detail

12



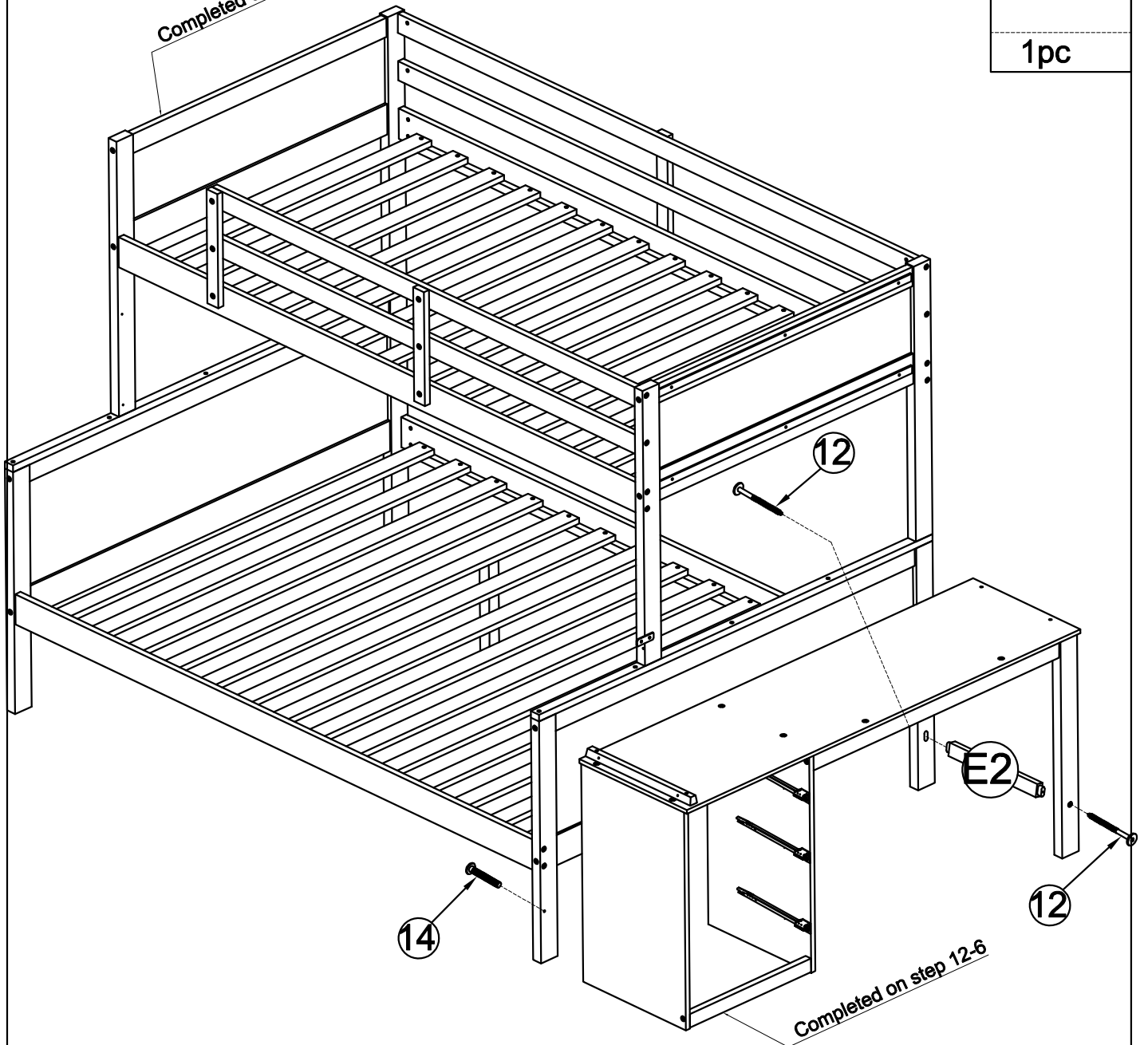
2pcs

14



1pc

Completed on step 12-1



STEP 14:

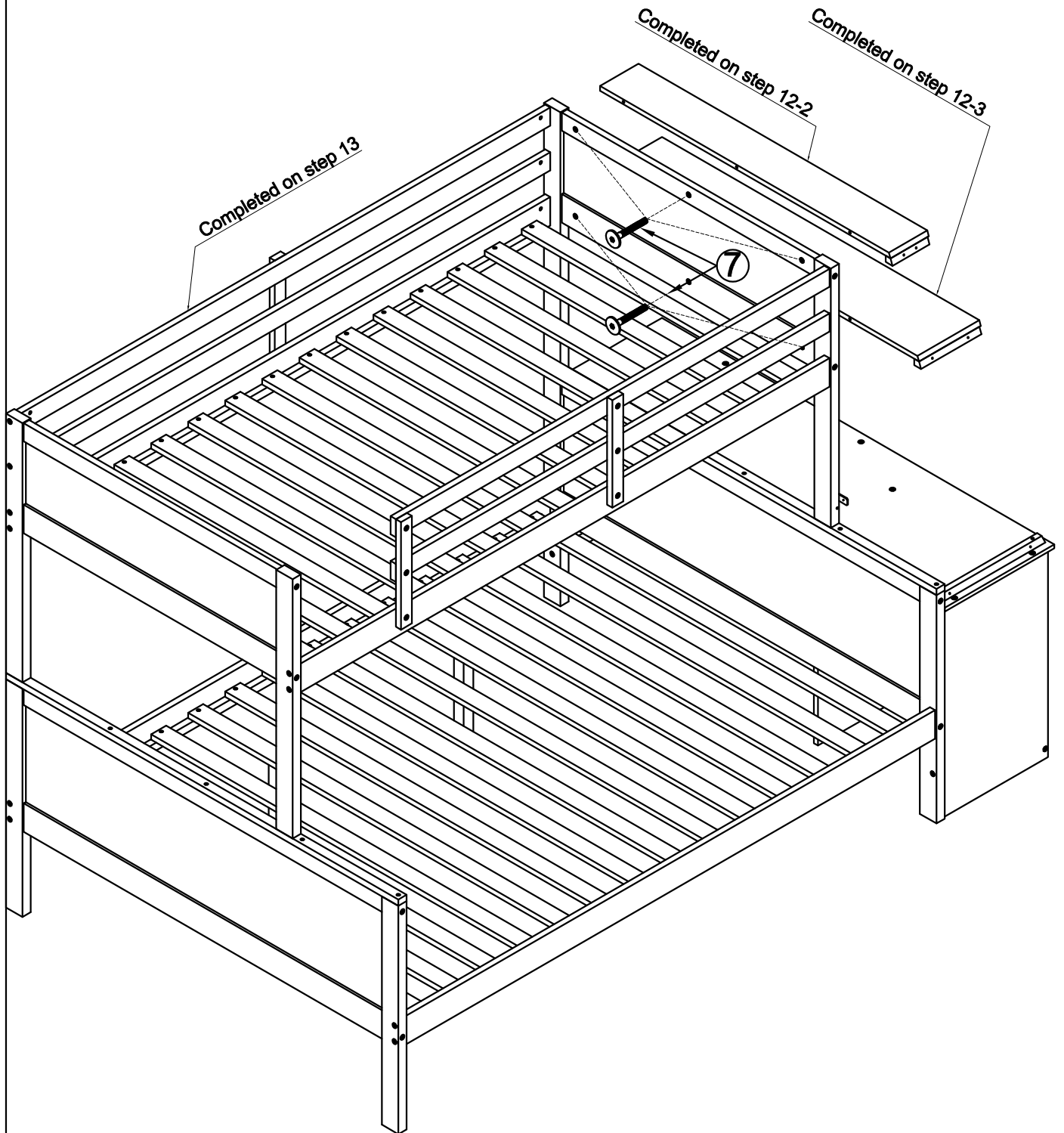
Following below illustration:

- Using hardware #7 to Assembly Frames (Completed on step 12-2,12-3) with Frames (Completed on step 13)
- Look at detail view for more detail

7



6pcs



STEP 15:

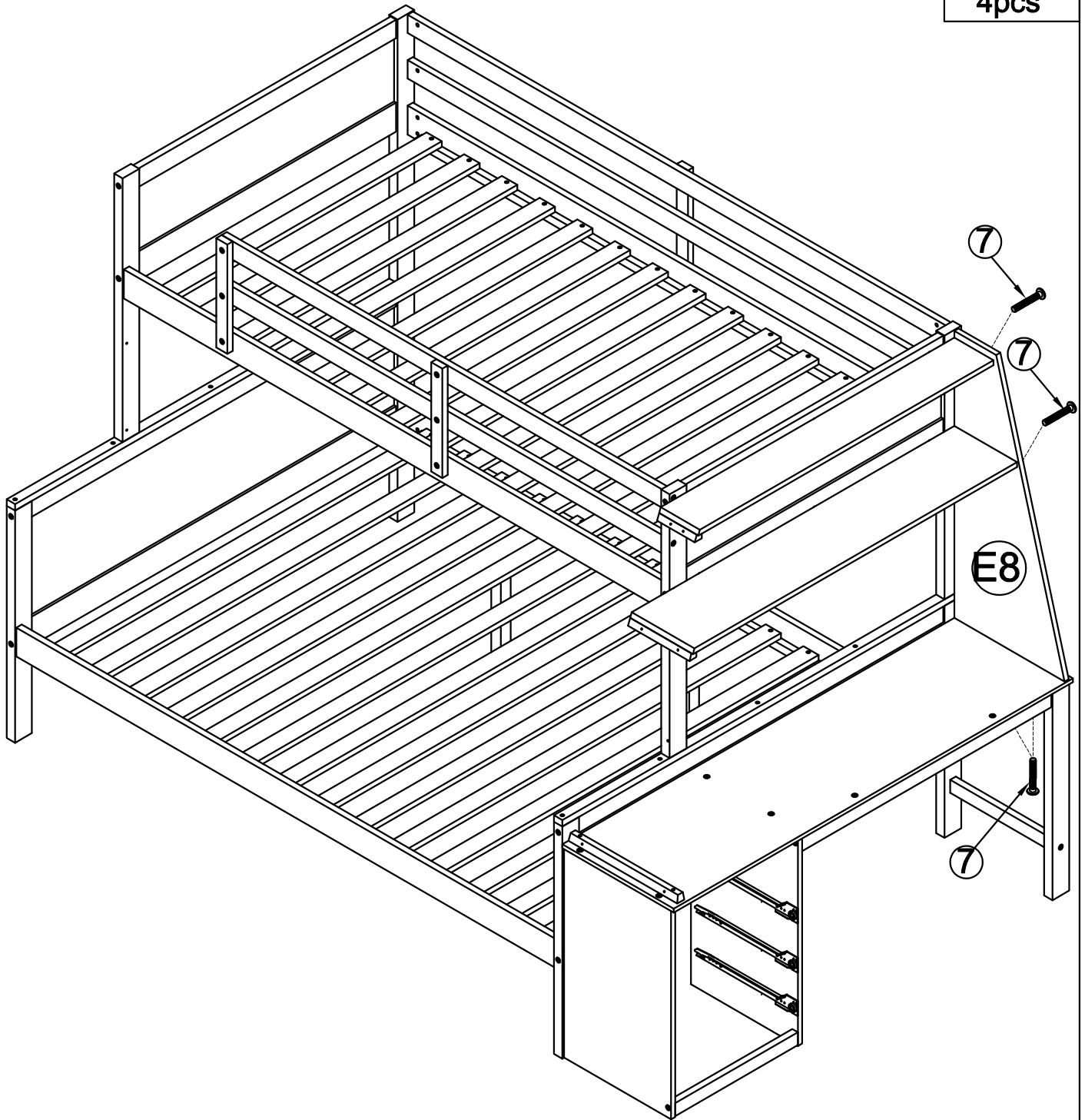
Following below illustration:

-Using hardware #7 to Assembly Frames (Completed on step 14) with E8 Panel

7



4pcs



STEP 16:

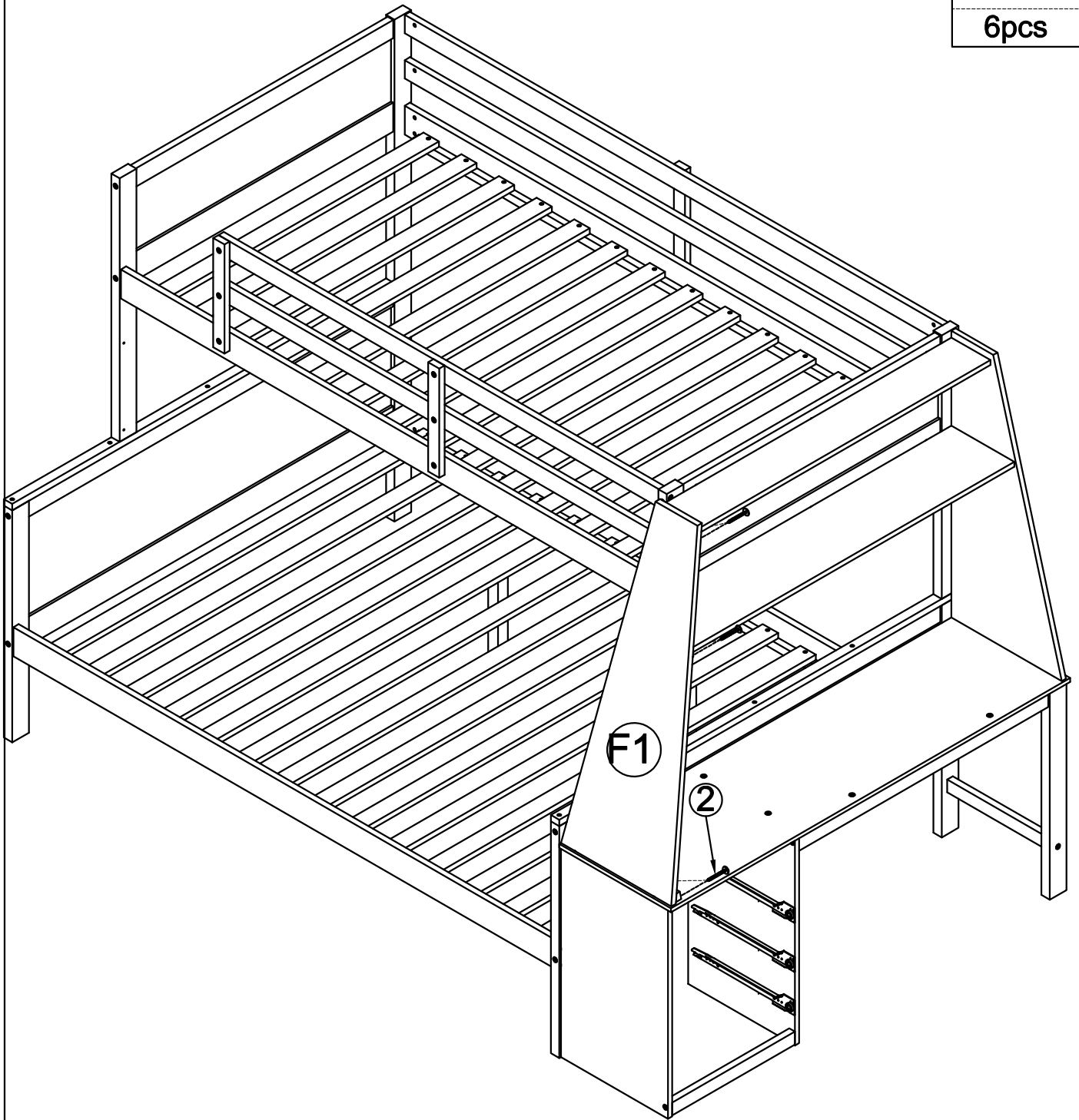
Following below illustration:

-Using hardware #2 to Assembly Frame (Completed on step 15) with F1 Panel

2





6pcs

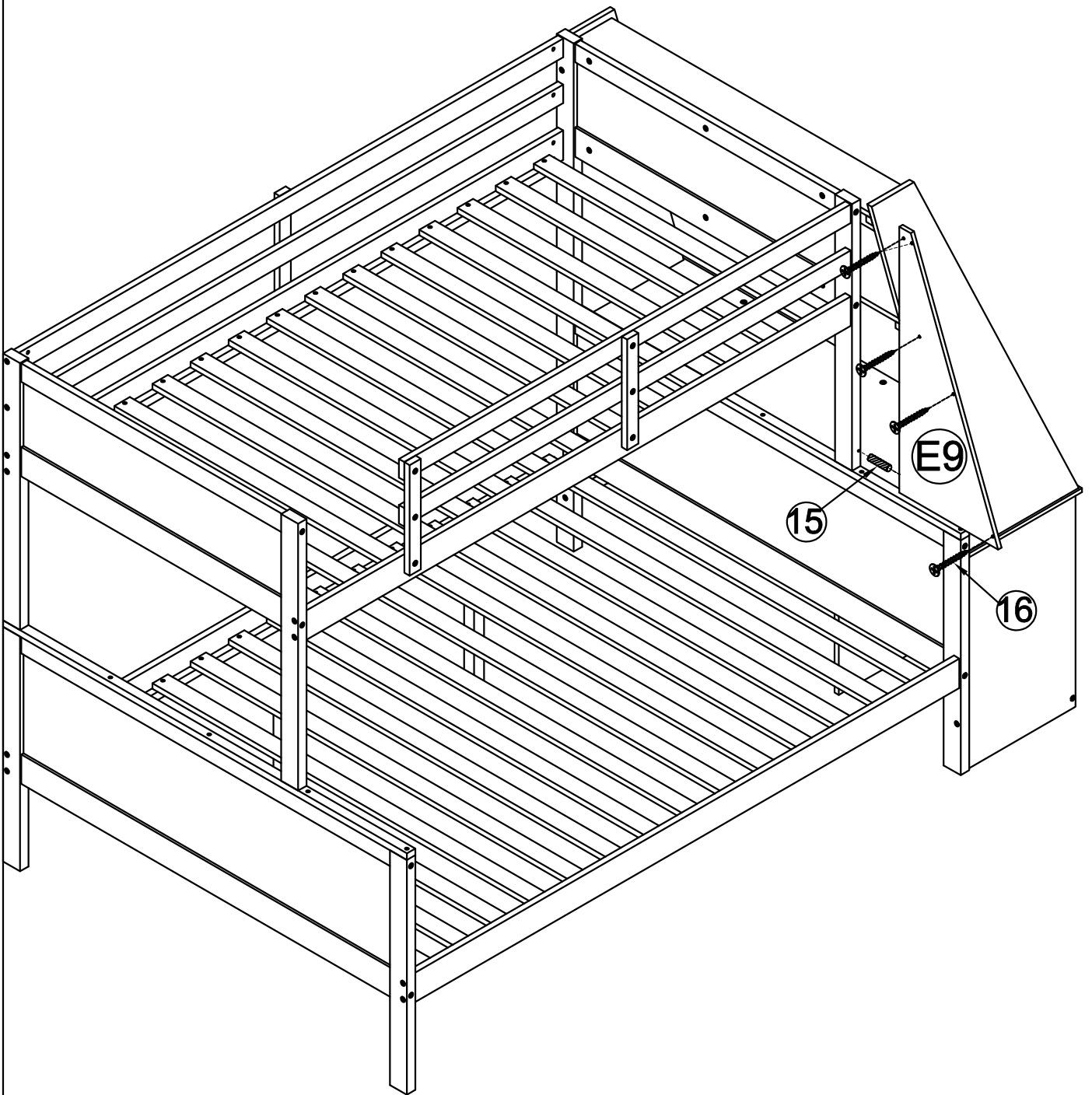


STEP 17:


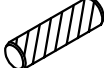
Following below illustration:

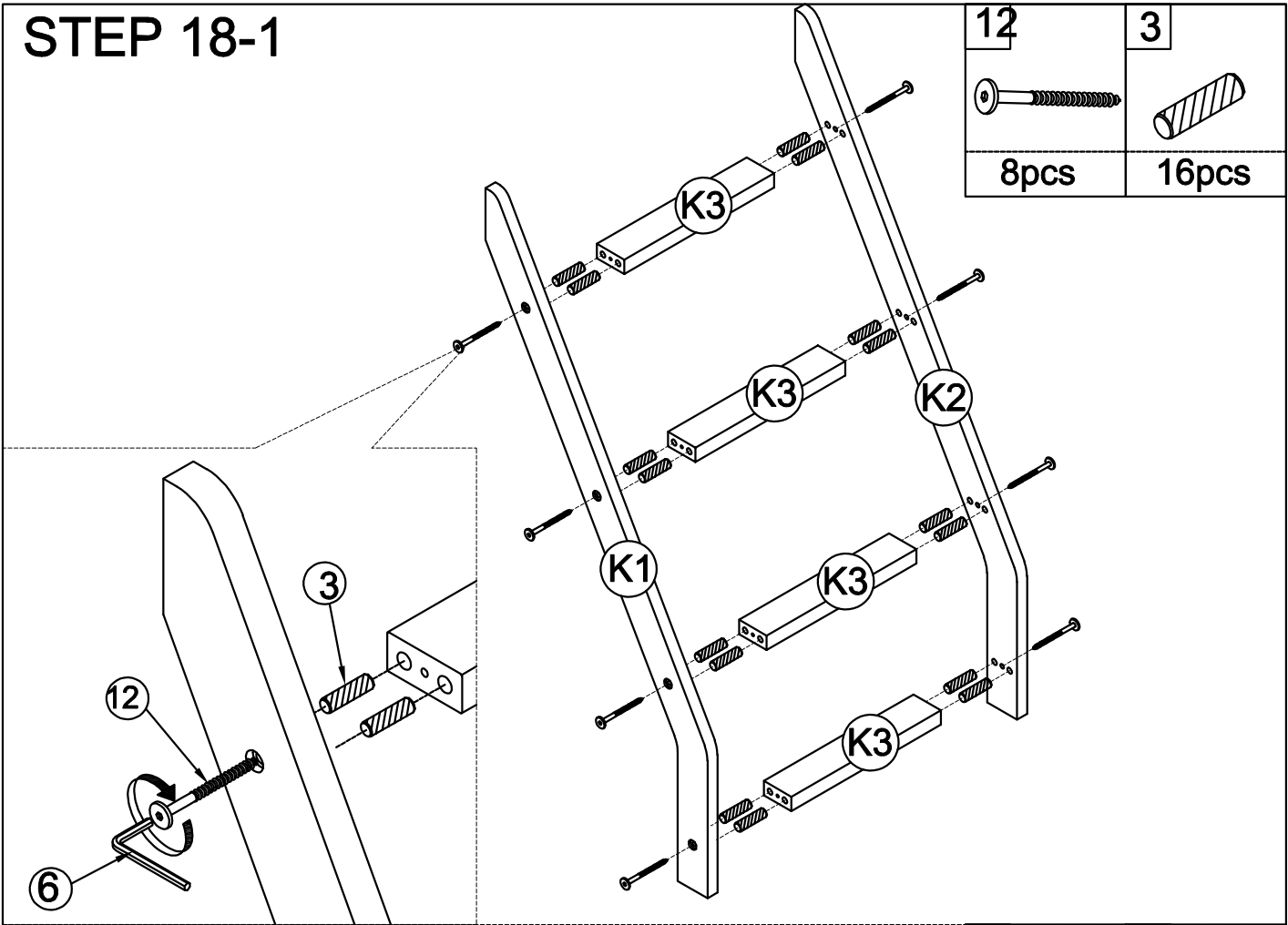
-Using hardware #16 and Dowel 15 to Assembly Frame (Completed on step 16) with E9 Panel

15		16	
	1pc		5pcs

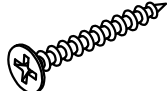



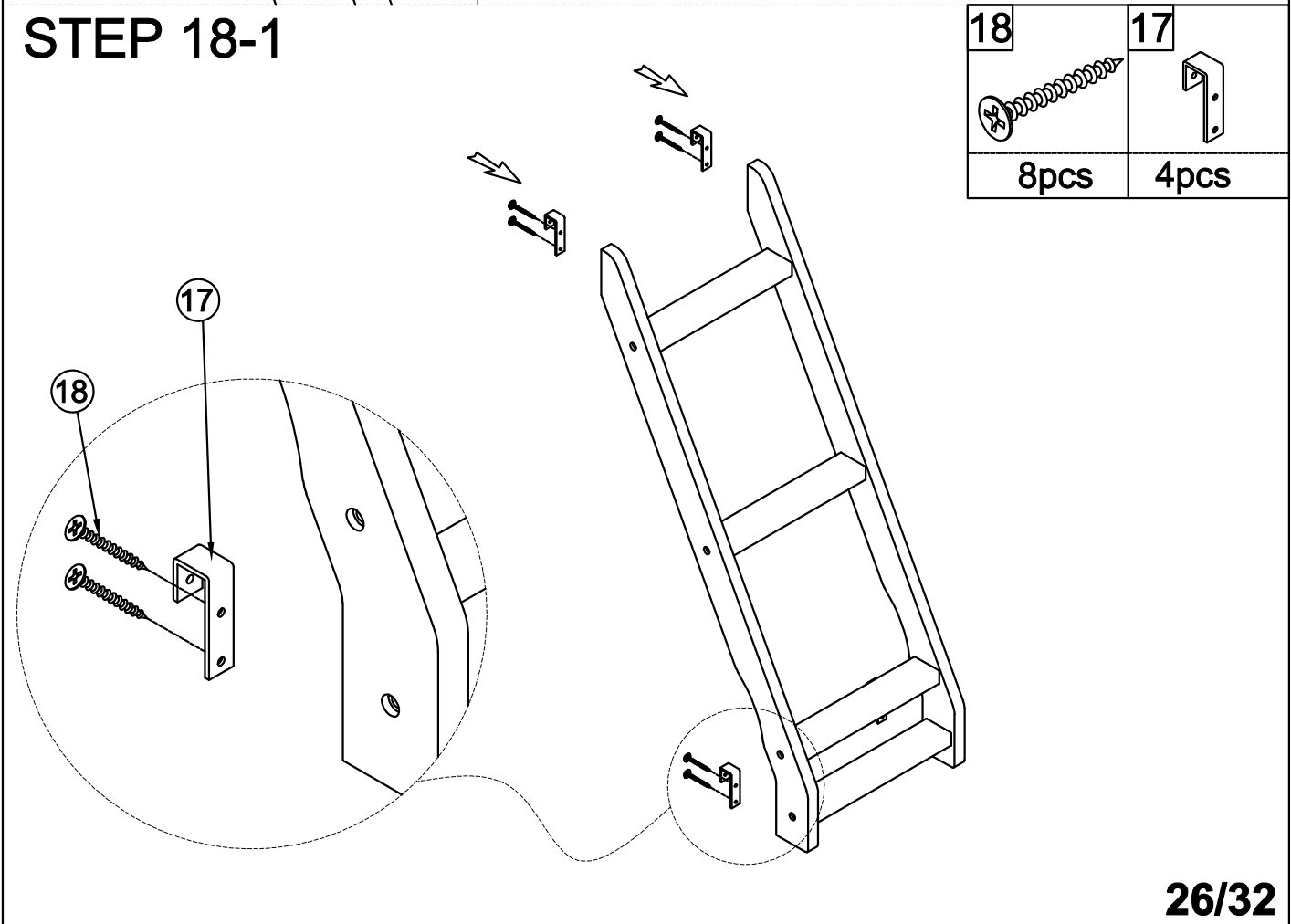
STEP 18-1

12	3
	
8pcs	16pcs



STEP 18-1

18	17
	
8pcs	4pcs

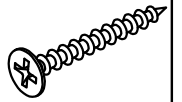


STEP 19:

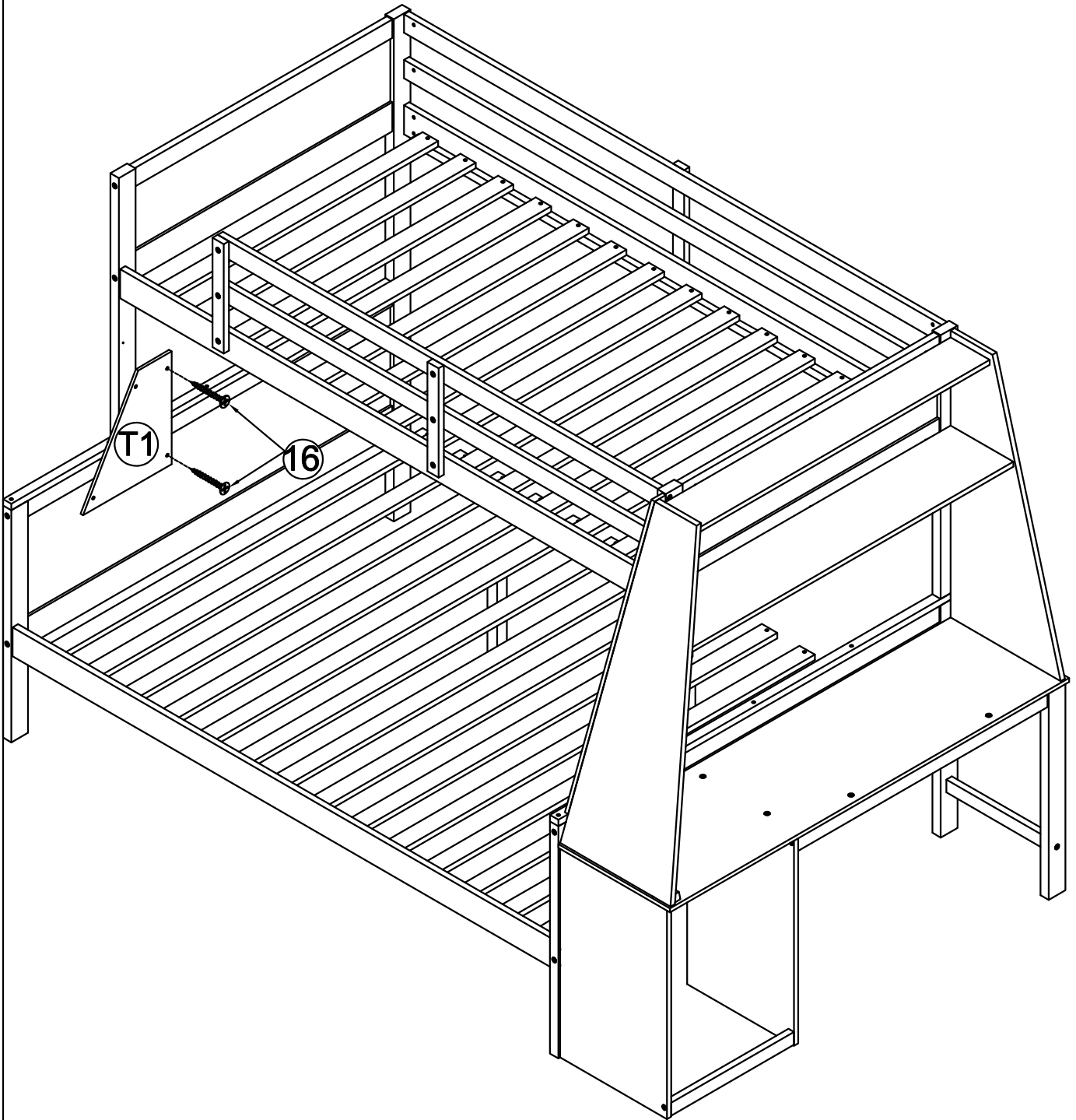
Following below illustration:

-Using hardware #16 to Assembly Frame (Completed on step 17) with T1 Panel

16



2pcs

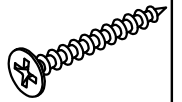


STEP 20:

Following below illustration:

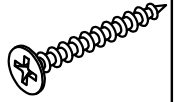
-Using hardware #16,#18 to Assembly Frame (Completed on step 19) with Frame (Completed on step 18-2)

16

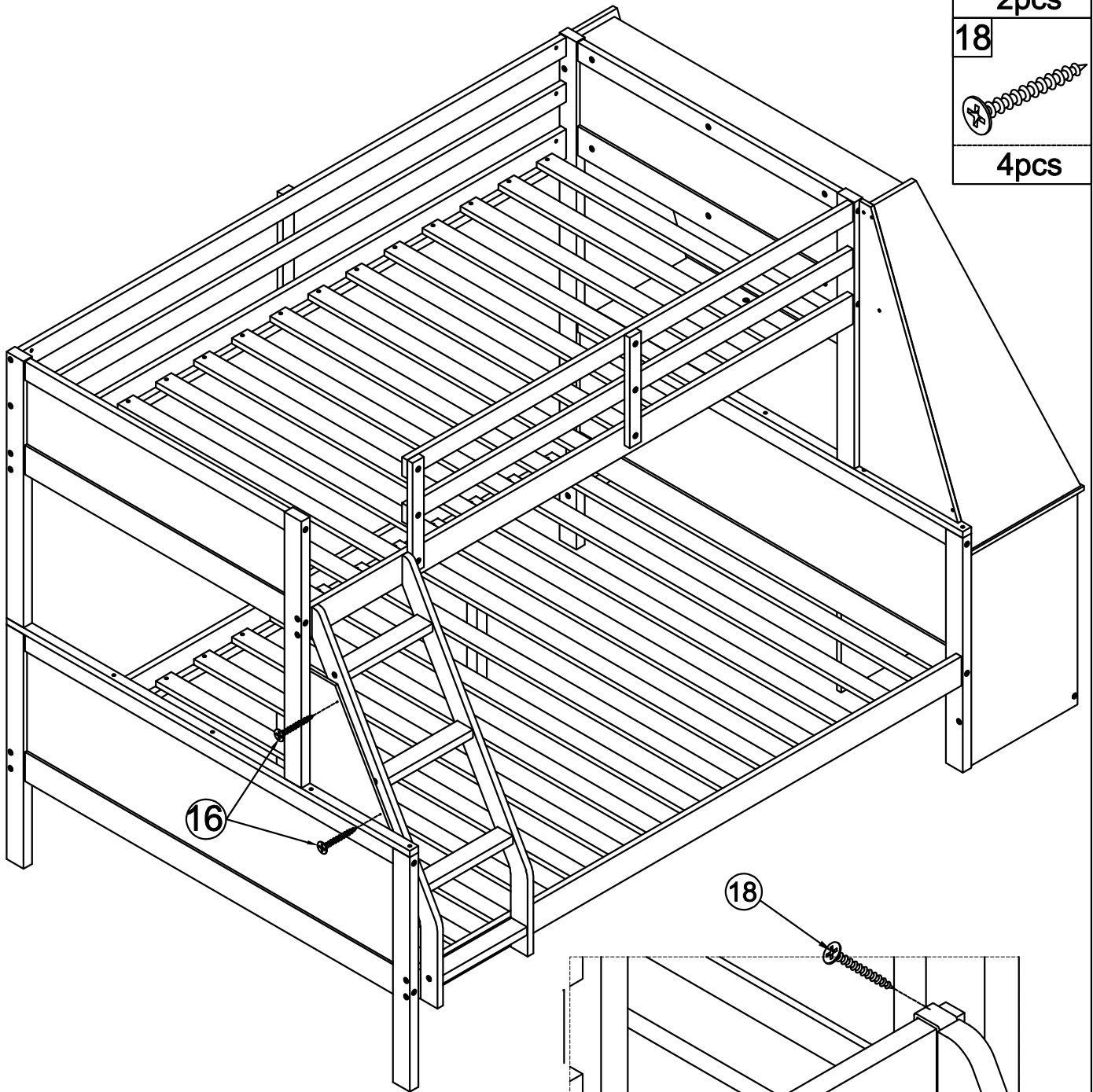


2pcs

18



4pcs



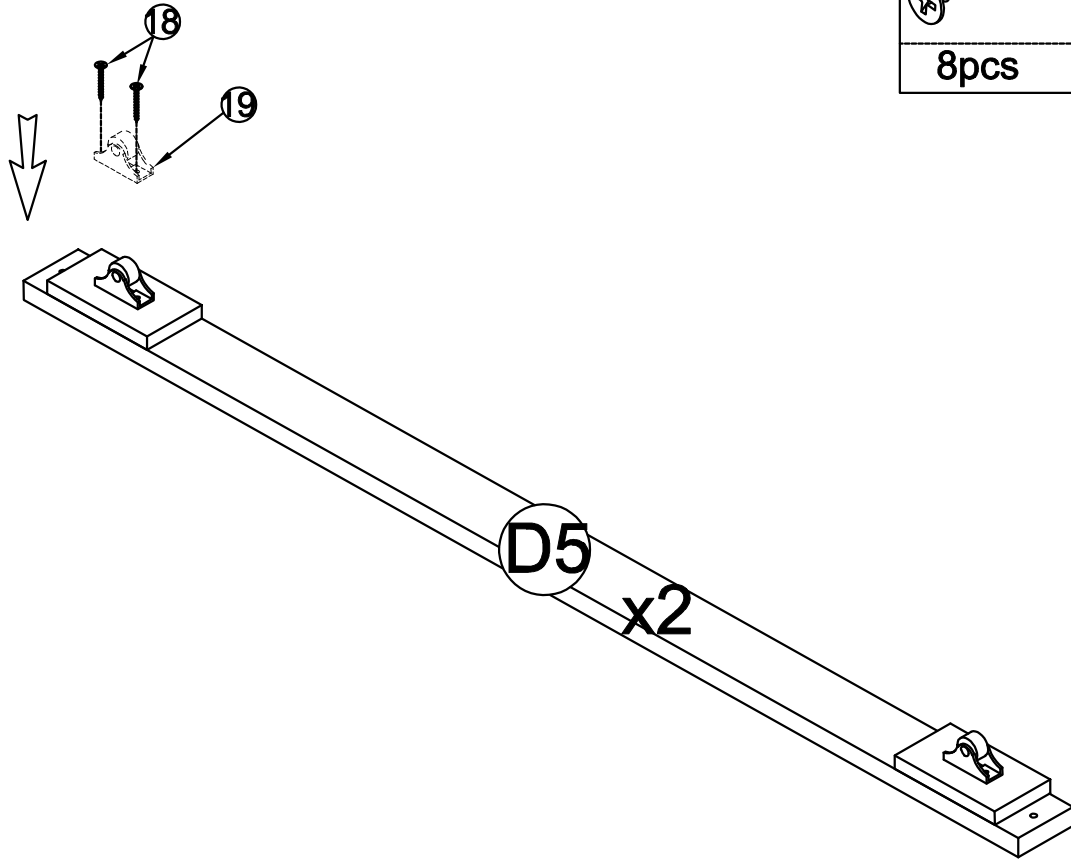
16

18

INSIDE VIEW

STEP 21-1: Following below illustration:

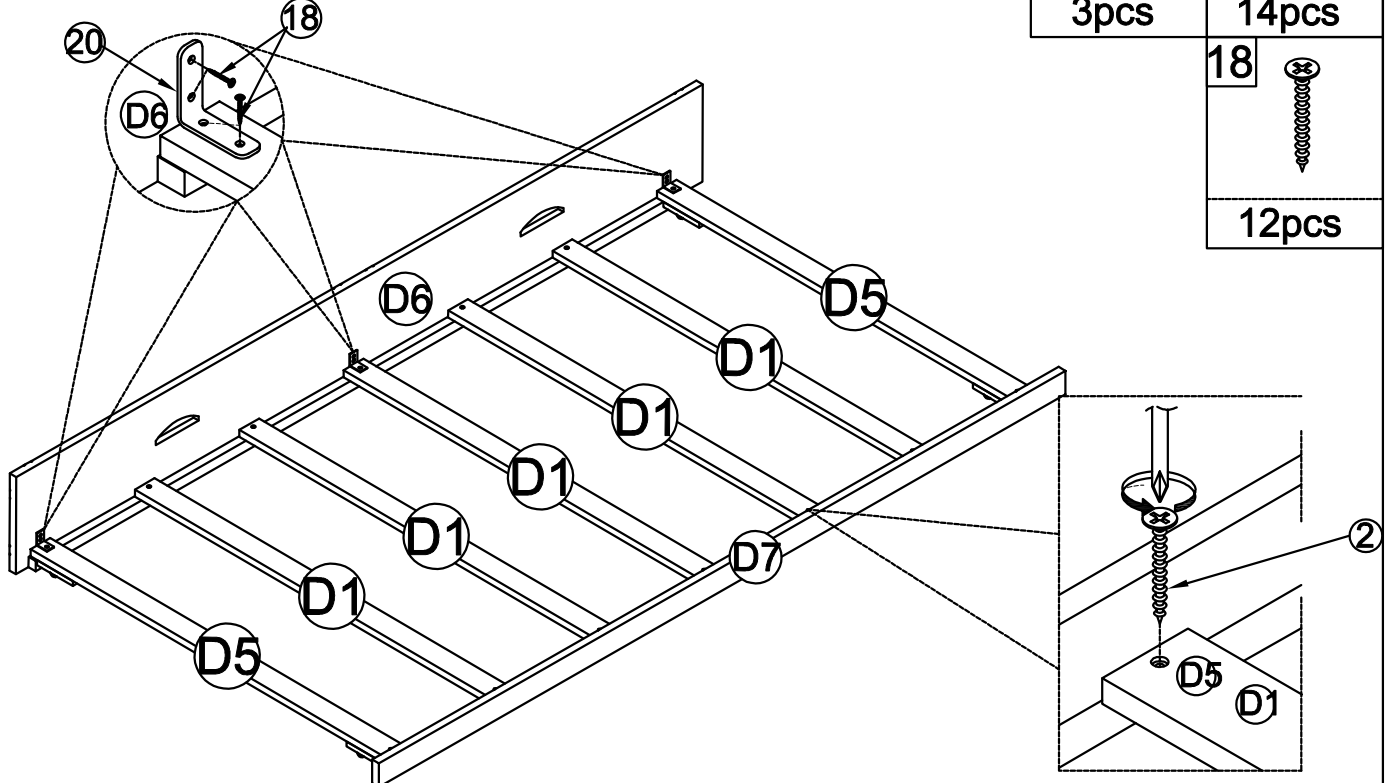
-Using hardware #18,#19 to connect With Slats D5(x2)



18		19	
8pcs		4pcs	



STEP 21-2: Following below illustration:

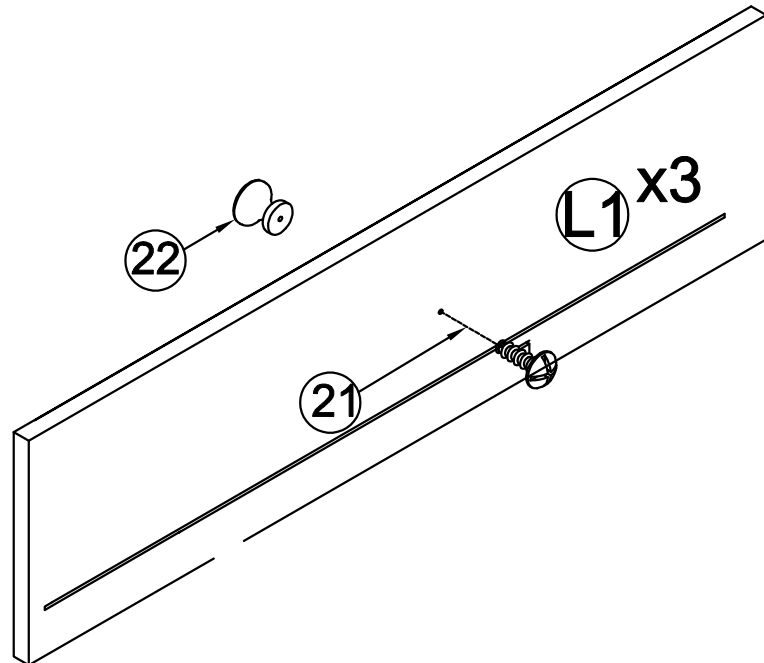
- Screw 5 slats D1 and 2 slats D5 with Front Trundle D6 and Back Trundle D7 by using hardware #2.
- Screw Steel Bracket (#20) with Front Trundle(D6) and slats D5,D1 using hardware #18
- Look at detail view for more detail



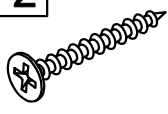
20		2	
3pcs		14pcs	
		18	
		12pcs	

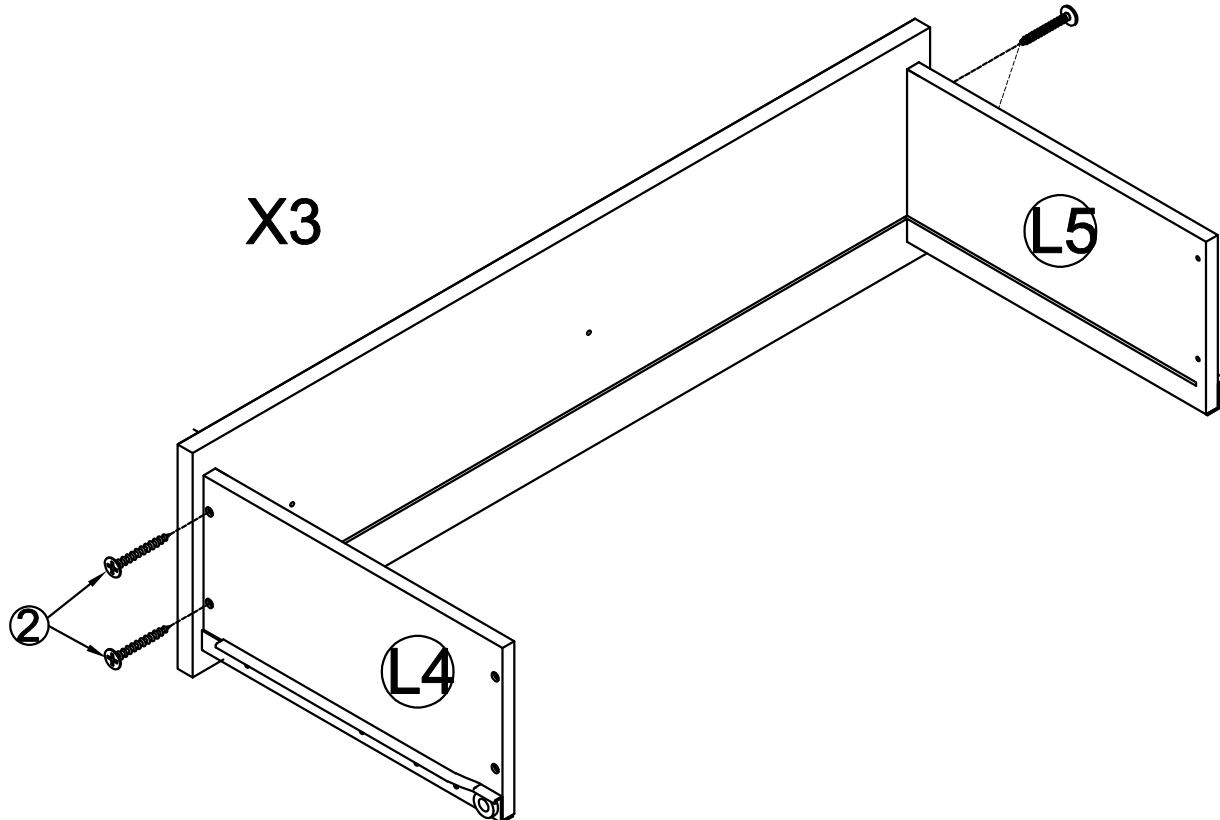
STEP 22-1:ASSEMBLY DRAWER

22	21
	
3pcs	3pcs



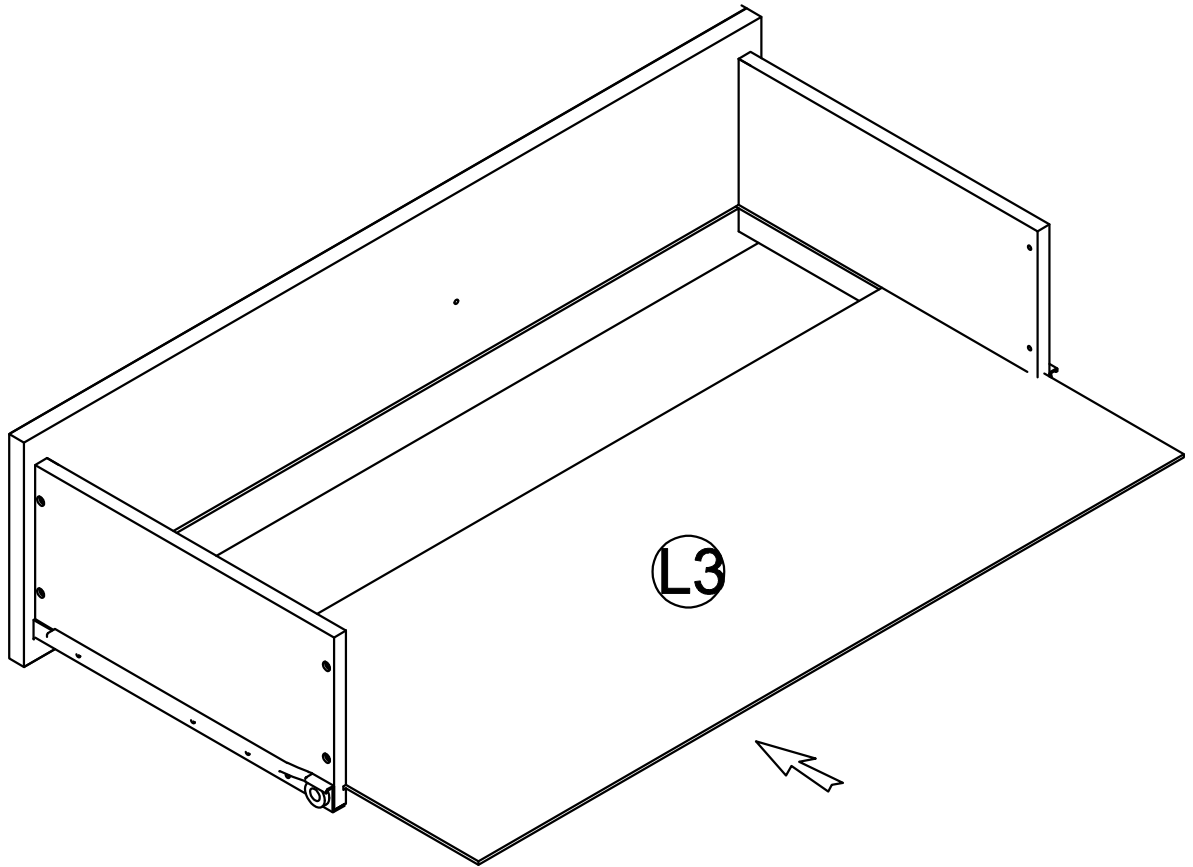
STEP 22-2:ASSEMBLY DRAWER

2

4x3pcs



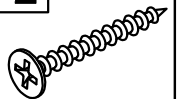
STEP 22-3: ASSEMBLY DRAWER

X3



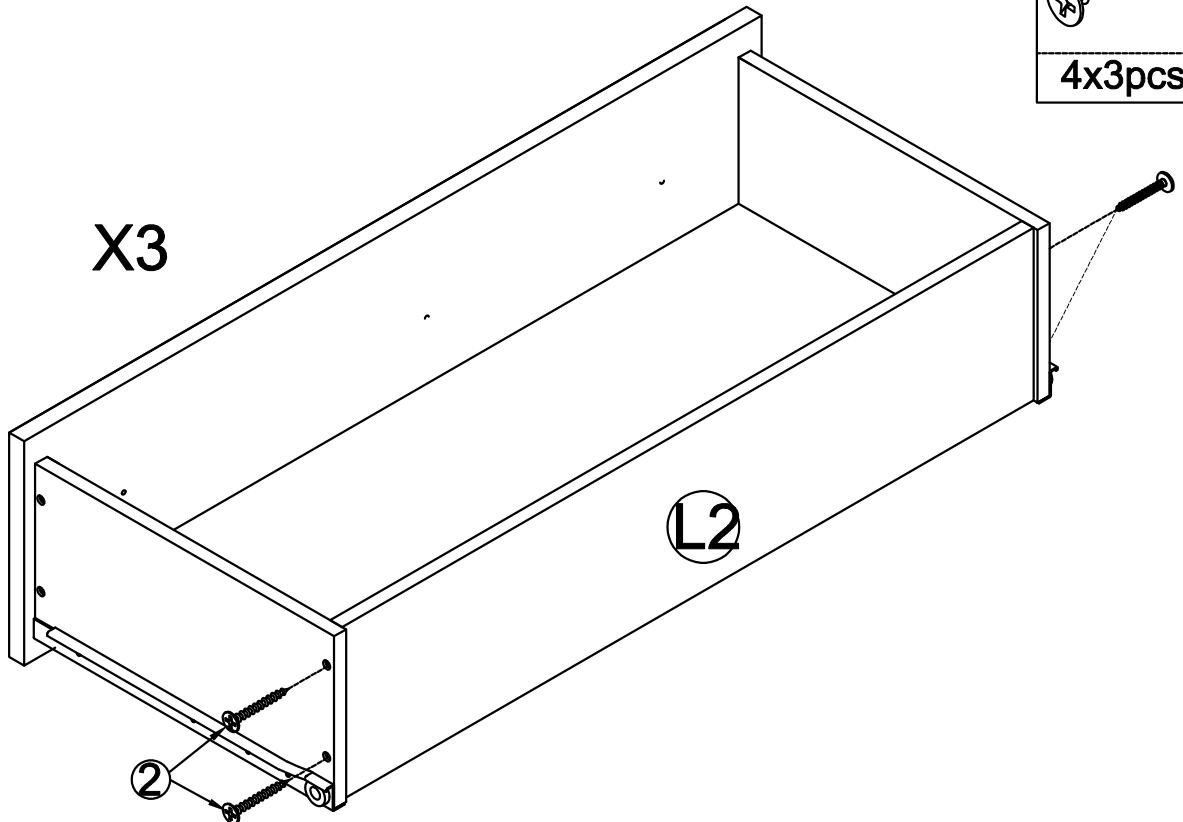
STEP 22-4: ASSEMBLY DRAWER

2



4x3pcs

X3



STEP 23: CONGRARULATION. YOU HAVE COMPLETED THE BED.

Push 3 drawer and trundle into it position

