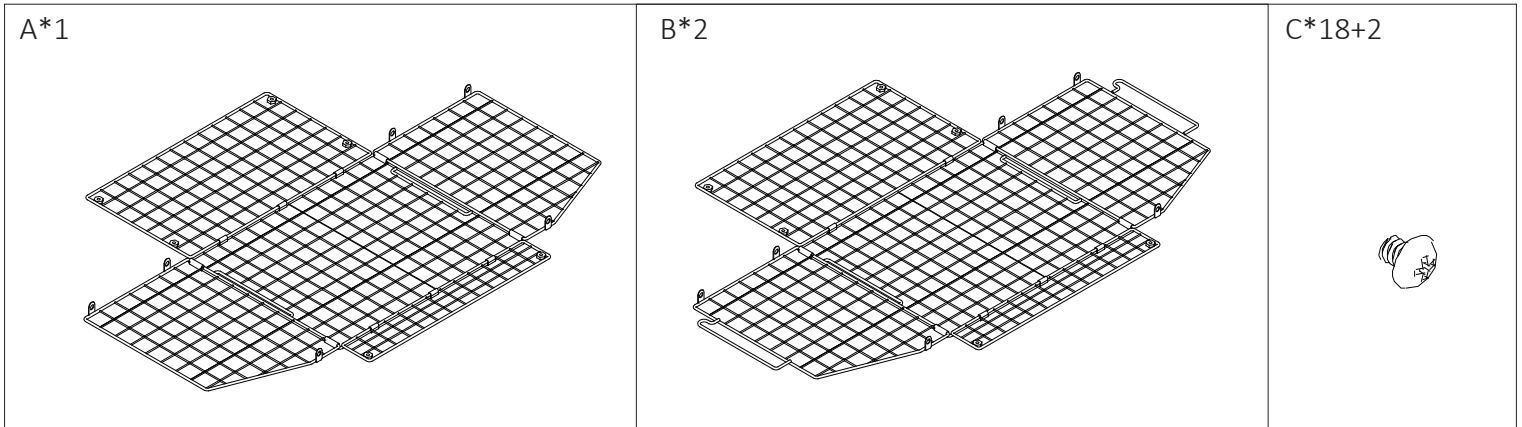


Website : www.x-cosrack.com E-mail : info@x-cosrack.com

Facebook: www.facebook.com/cosrackofficial

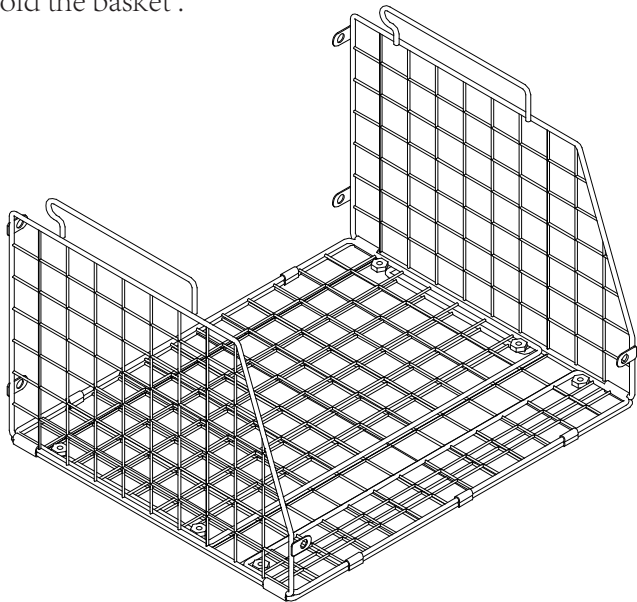
Assembly instructions

Parts included:

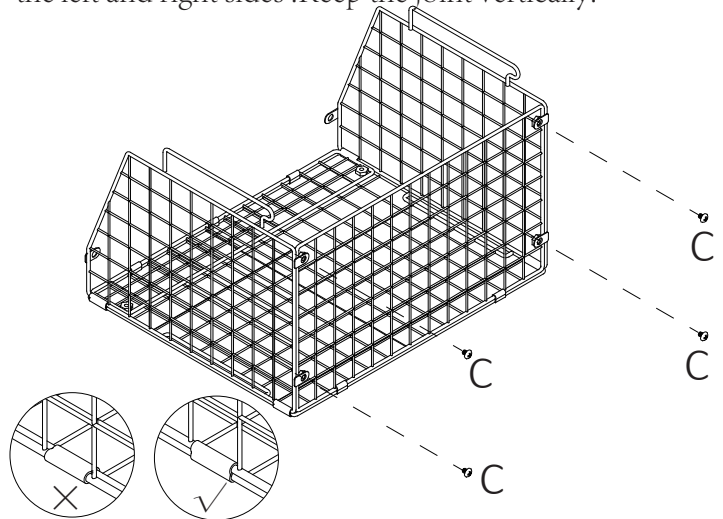


Installation steps

1. Unfold the basket .

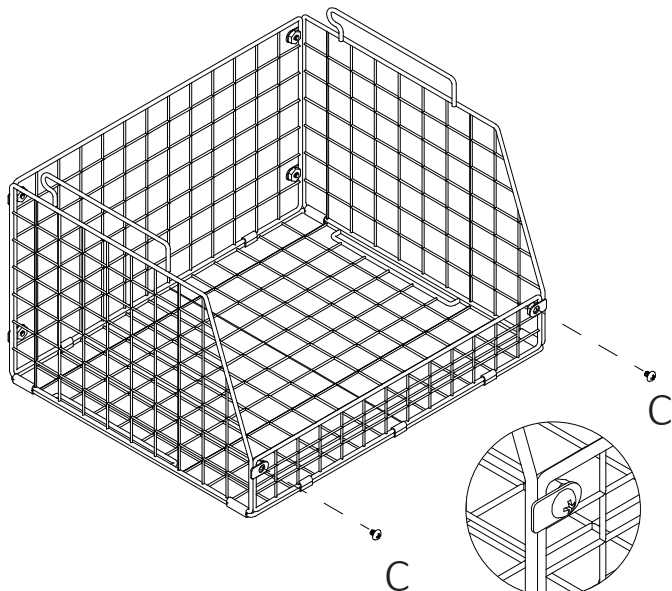


2. Install the screws C on the back of the basket to connect the left and right sides .Keep the joint vertically.



Horizontal Vertical

3. Install the screws C on the front of the basket.



4. The installation steps for the three baskets are the same.
Stack three baskets together.
Each basket can be used alone.

