

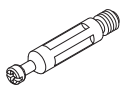
Hardware List

A



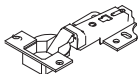
×(24+2)

B



×(24+2)

C



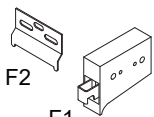
×3

E



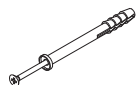
M3.5*14mm
×(18+2)

F



×2

G



×4

H



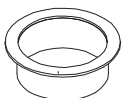
M3.5*30mm
×4

I



×(24+2)

J



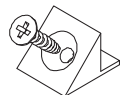
×1

K



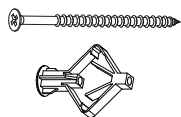
×1

L



×16

M



×4

Start...

Step1

Screw bolt **B** to pre-drilled hole with white cam on panel ① and ②.

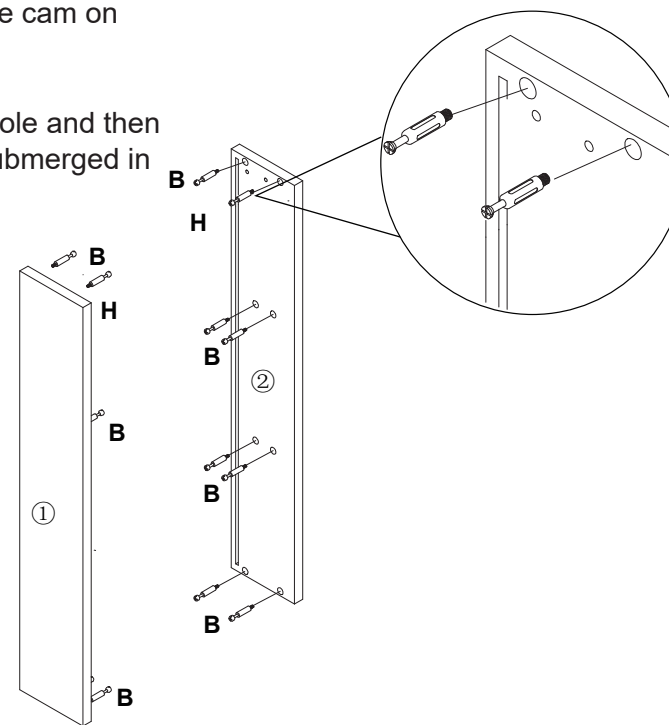
Bolt & white cam Installation Tips :

Insert the white cam into the pre-drilled hole and then tighten the screw until the head is fully submerged in the white cam.

B



×14

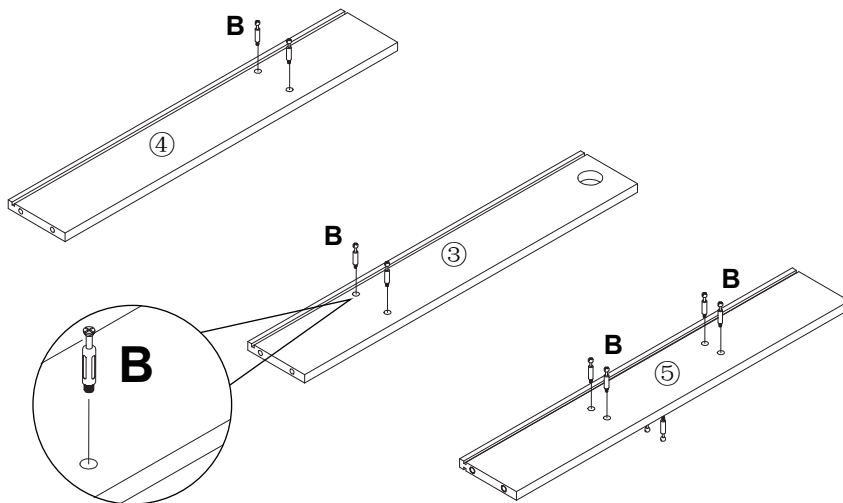
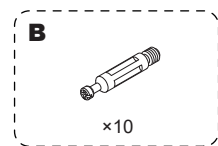


I Step2

Screw bolt **B** to pre-drilled hole with white cam on panel ③④⑤ as shown.

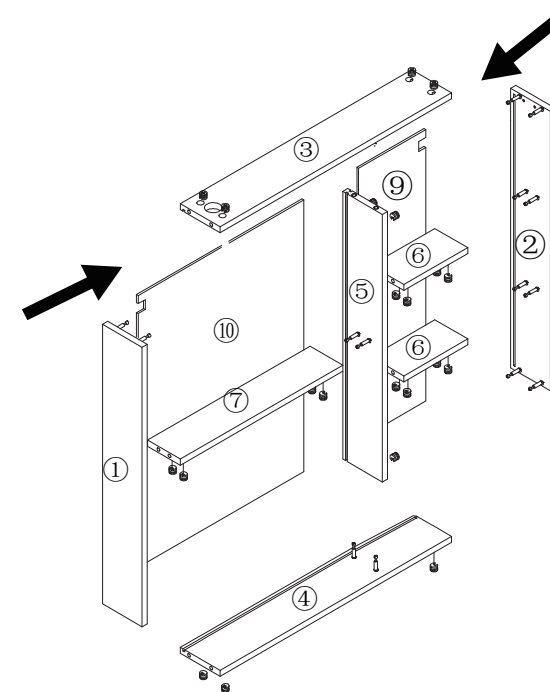
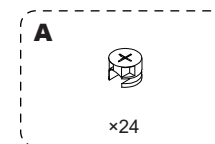
Bolt & white cam Installation Tips :

Insert the white cam into the pre-drilled hole and then tighten the screw until the head is fully submerged in the white cam.



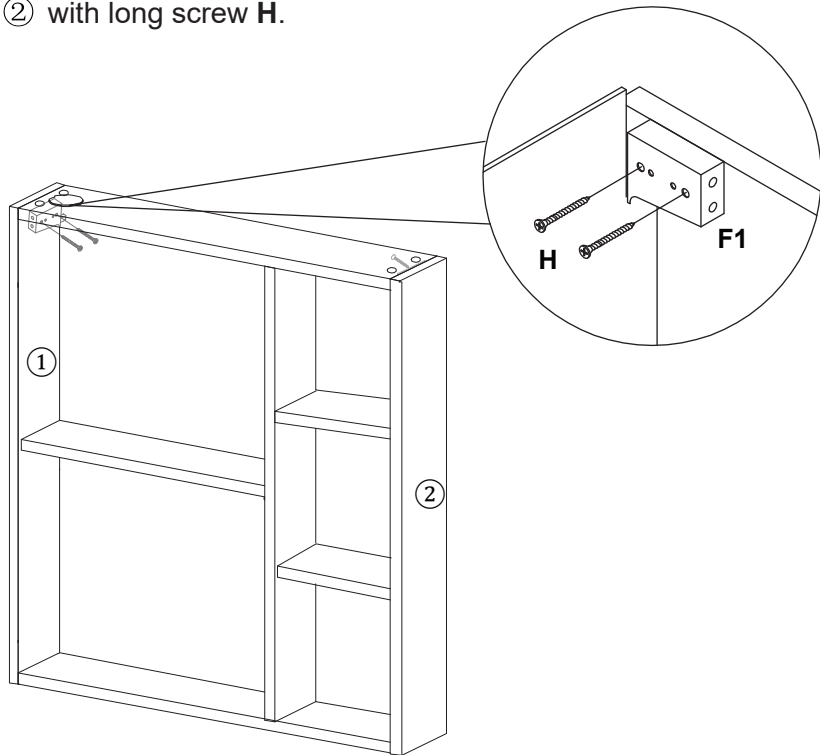
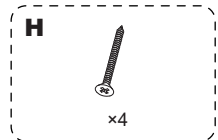
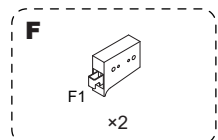
I Step3

Secure the board ③④ to panel ⑤ with lock **A**, fix board ⑦ and ⑥ to panel ⑤ with lock **A**, insert back panel ⑨ and ⑩, and then secure side panel ① and ② to main frame with lock **A**.



| Step4

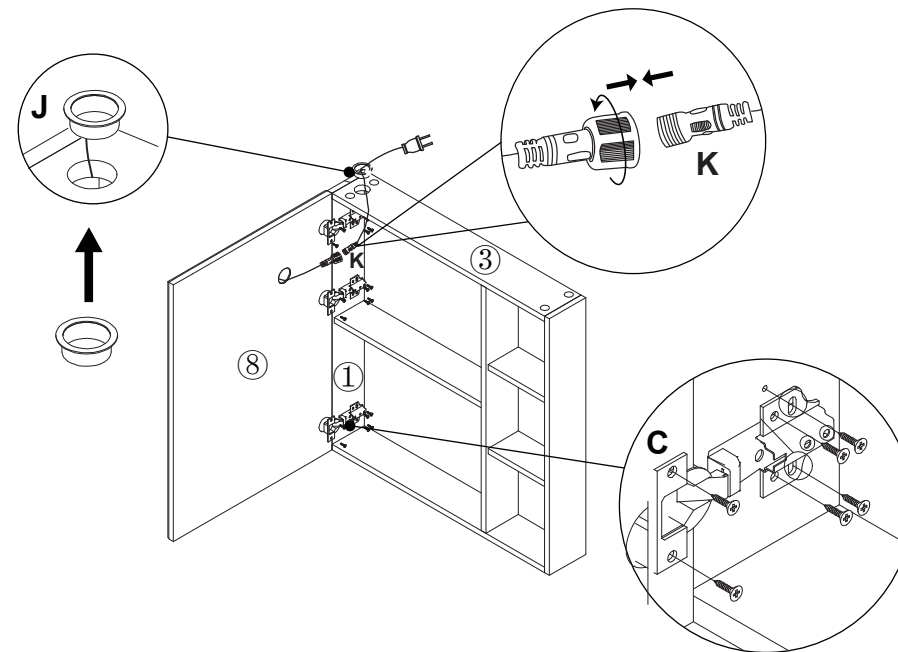
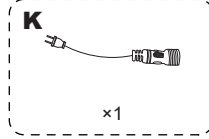
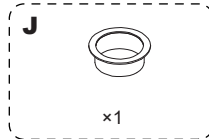
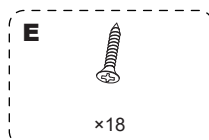
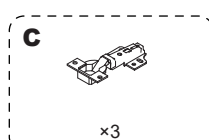
Screw **F1** to side panel ① and ② with long screw **H**.



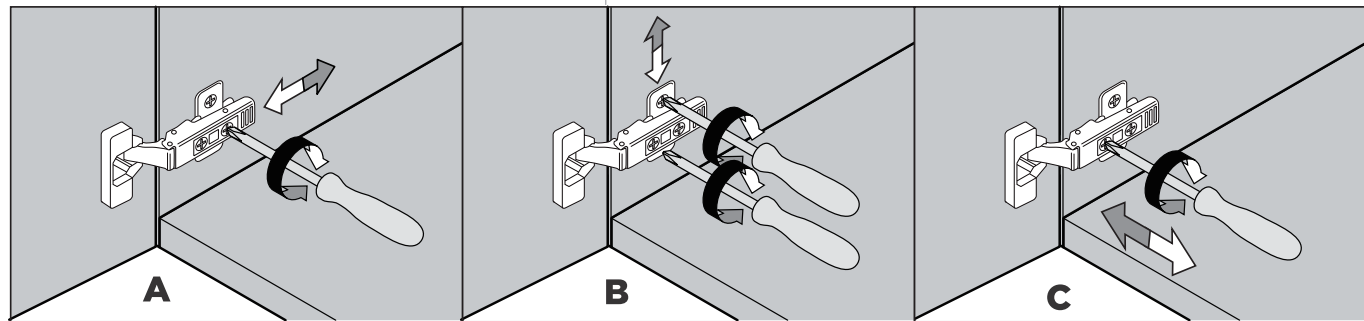
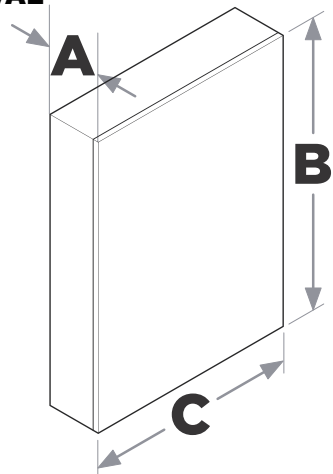
| Step5

Install front panel ⑧ to side panel ① with hinge **C** and hinge screw **E**.

Tips : Adjust **E** as below shown can make the proper position of panel ⑧ and panel ①.

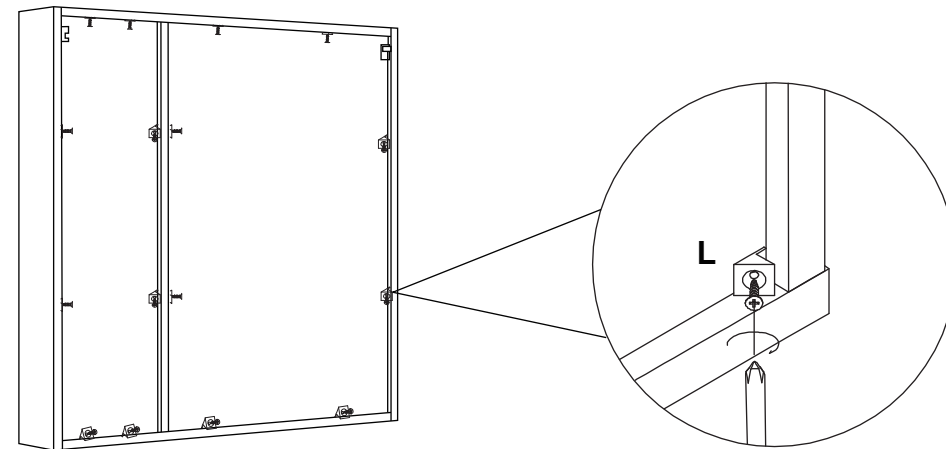
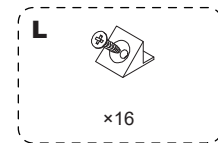


DOOR ADJUSTMENT/DOOR REMOVAL



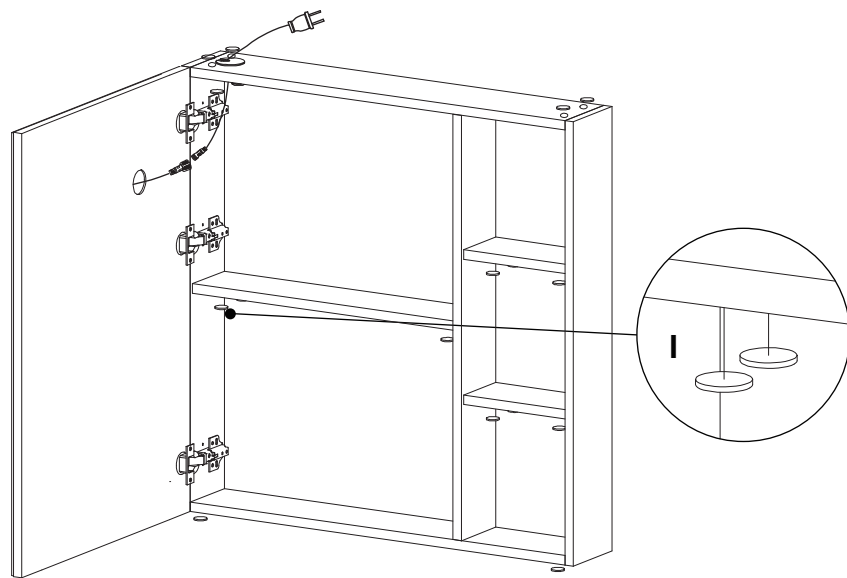
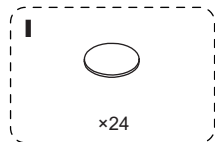
| Step6

L is used to fix the backplane to make it more stable.



| Step7

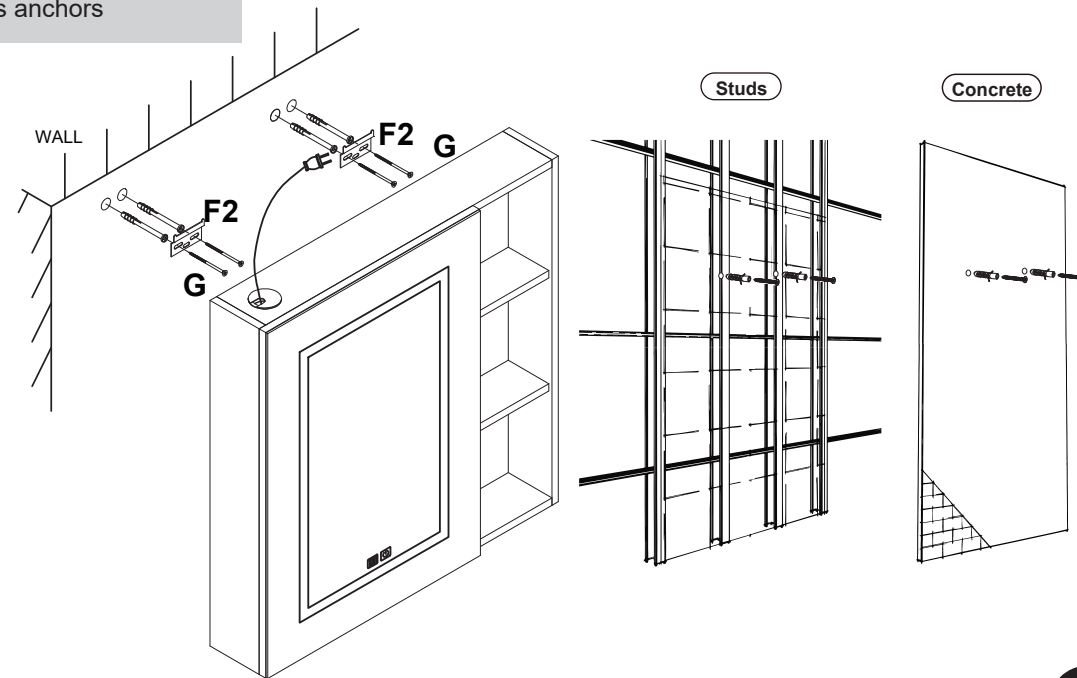
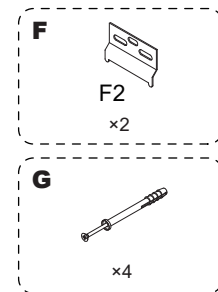
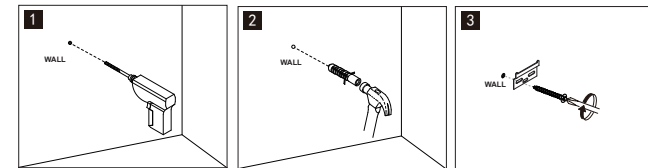
Cover all stickers **I** on lock **A** position as shown.



| Step8-Optional for studs/concrete

Install the cabinet on studs/concrete with cabinet hanger **F2** and extension screw **G** into predrill hole against the studs/concrete as shown.

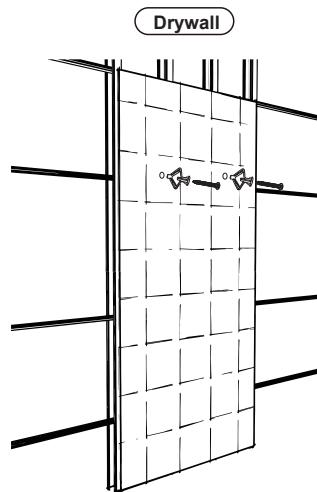
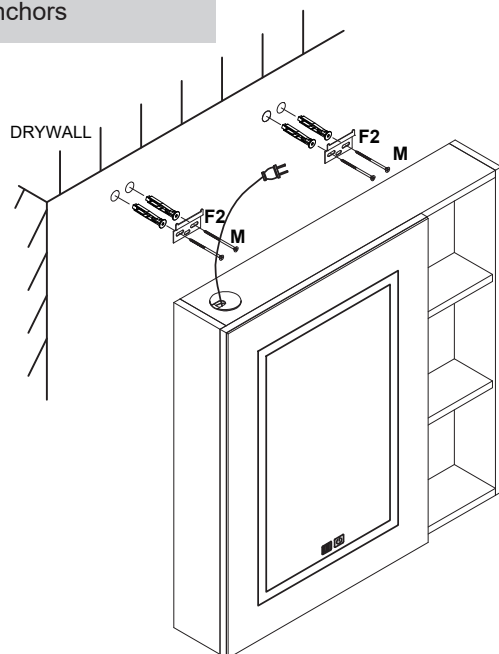
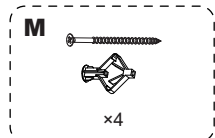
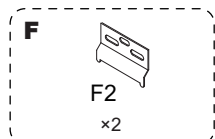
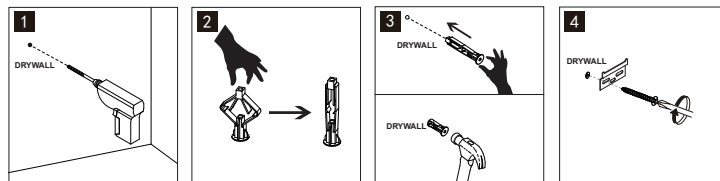
Attention: Optional install on concrete or studs anchors



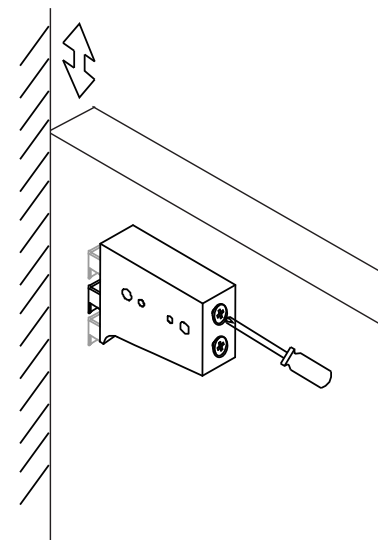
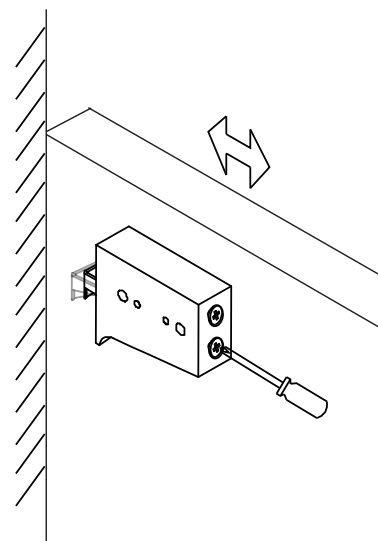
Step 8 - Optional for drywall

Install the cabinet on drywall with cabinet hanger **F2** and extension screw **M** into predrill hole against the drywall as shown.

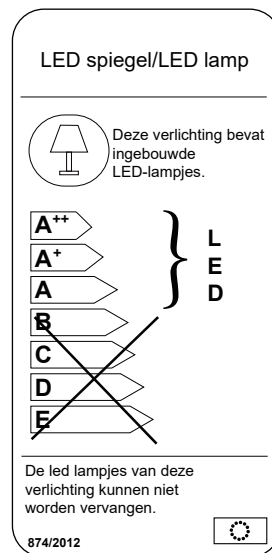
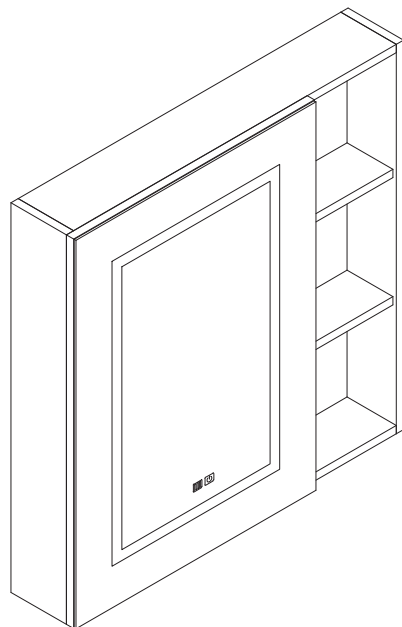
Attention: Optional install on drywall (sheet wood) please use drywall anchors



If the cabinet does not fit the wall after the hanger is installed, adjust the two cross screws on the back of the hanger. please refer to last page details.





PRODUCT PARAMETERS



Input voltage: 110 V
Rated power: 10W
Energy Efficiency: A++

USER MANUAL

-  Right touch sensor
On/off lighting
Light temperature change from 2700K to 6500K by holding
Light brightness change from 10% to 100% by holding
-  Left touch sensor
On/off anti-fog
(the defogger power will automatically turn off after an hour)

1.How to use dimmer switch

Touch the sensor button to turn on the light

Touch and hold the light ON sensor button to change the light temperature from 2700K to 6500K, release the button, when the light temperature reaches the desired color.

2.How to use light memory function

Select a preferred light mode and wait for more than 5 seconds.

Click the on/off button to turn the light off.

When it is turned on again, the light will be the same as when it was last turned off.

3.How to use defogger switch

Touch the sensor button to turn on /off the defogger.

Suggestion : Turn off the mirror power supply if you don't use it for a long time.

FAULT DETECTION AND HANDLING

Faults	Causes	Measures
Broken mirror	Bad package or violent transport	Get replacement or refund by contact us with damaged photos
Cracked/scratched boards	Bad packaging or violent transport	Get replacement or partial refund by contact us with damaged photos
Led light not bright enough	LED lights are only ambient lights, not to be used as lighting	Correctly adjust the colour of the light for the bathroom environment; if it is still not bright enough, additional lighting is required
LED strip does not work / cannot be turned on	No switch on/ wiring connect failure	Check if the power is on or off get a replacement by contact us with faults photos

ON and OFF	Loose wiring	Open the back panel, check the internal wiring check if there is loose wire
Mirror cabinet does not fit the wall	Uneven wall, tilted angle	Adjust the 2 screws on the hanging code, the top screw adjusts the angle of tilt of the mirror cabinet. The bottom screw adjusts the fit between the mirror cabinet and the wall
Door and cabinet cannot be aligned	Incorrect hinge installation	Adjust the hinges, loosen the screws, then align the mirror cabinet door with the door frame and finally tighten all the screws
Cannot be recessed	Plug not cut off or wrong size of niche	Cut the plug and connect it to the wall wire, or check the rough size of niche
Memory function cannot be enabled	The memory function requires a time interval	Select a preferred light mode and wait for more than 5 seconds, touch the on/off button to turn the light off. When it is turned on again, the light will be the same as the last time it was turned off