

WARNING!!

Children have died from furniture tipover. Tip restraints have been included with this product; you must install the tip restraints according to these instructions in order to minimize the risk of furniture tipping. If you have any questions about this product or the tip restraint, please send us an email at tip_restraint_help@Noblehousefurniture.com

NEVER allow children to climb or hang on furniture, including drawers or cabinet doors.

In addition to installing the restrains, to help prevent tip-over

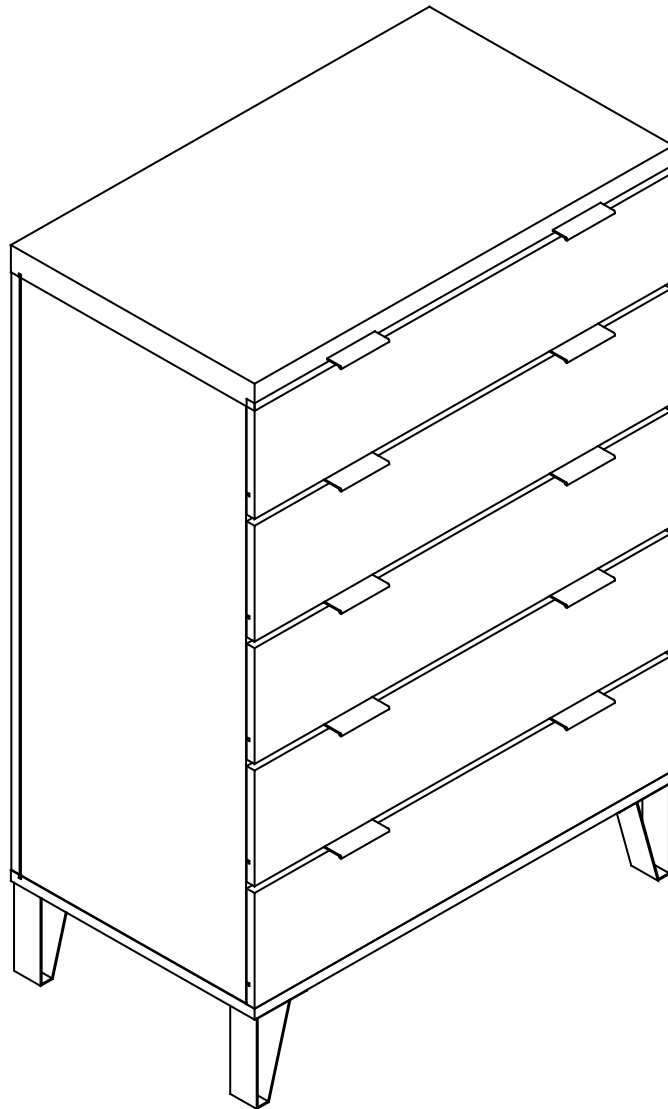
1. **NEVER** put a TV or other heavy objects on top of this product".
2. Do not stand on the product

⚠ WARNING	
	<p>Children have died from furniture tipover. To reduce the risk of furniture tipover:</p> <ul style="list-style-type: none">• ALWAYS install tipover restraint provided.• NEVER put a TV on this product.• NEVER allow children to stand, climb or hang on drawers, doors, or shelves.• NEVER open more than one drawer at a time.• Place heaviest items in the lowest drawers.• Do not defeat or remove the drawer interlock system. <p><i>This is a permanent label. Do not remove!</i></p>
	

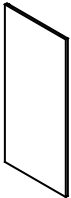
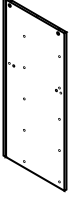
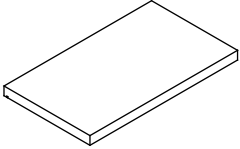
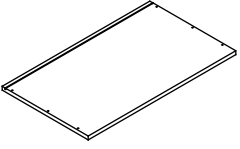
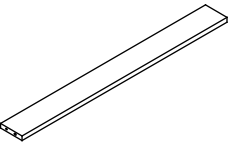
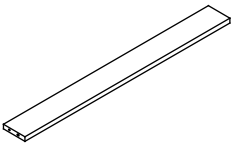
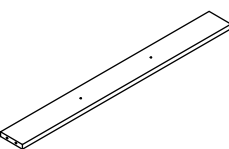
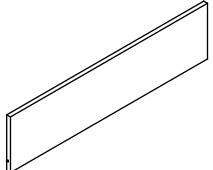
Assembly Instructions

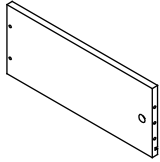
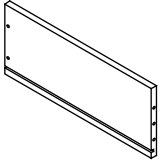
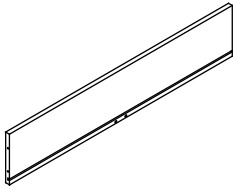
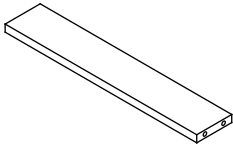
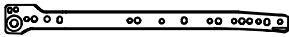


Caution: You must read this before you proceed


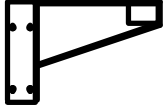
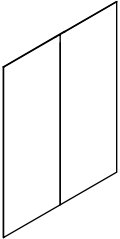
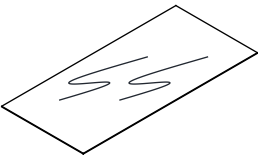
5 Drawer Wide Chest










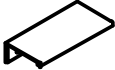



Parts List



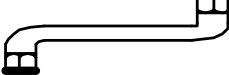


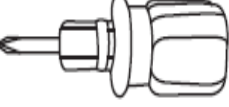
Label	Picture	Description	QTY
A		Side Panel Left	1
B		Side Panel Right	1
C		Top Panel	1
D		Bottom Panel	1
E		Support Panel Lower (Back)	1
F		Support Panel Lower (Front)	1
G		Support Panel Upper	1
H		Drawer Front	5

I		Drawer Side Left	5
J		Drawer Side Right	5
K		Drawer Back	5
L		Drawer Support	5
M		Drawer Slide (CL)(350mm)	5
N		Drawer Slide (CR)(350mm)	5
O		Drawer Slide (DL)(350mm)	5

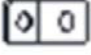



P		Drawer Slide (DR)(350mm)	5
Q		Metal Leg (150mm)	4
Y		Back Panel	1
Z		Drawer Bottom (1S)	5

Hardware

Label	Picture	Description	QTY
①		Cam Bolt	19
②		Cam Lock (12/15)	9
③		Cam Lock (9/15)	11
④		Wood Dowel (D6x30mm)	53
⑤		Csk Screw (M3.5x15mm)	59
⑥		Euro Screw (M6x9mm)	21
⑦		Csk Screw (M4.7x38mm)	21
⑧		L-Shape Handle	10
⑨		Unitar Screw (M6.3x40mm)	5
⑩		Backply Stopper	8
⑪		Csk Screw (M3.1x20mm)	8

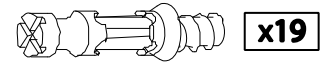
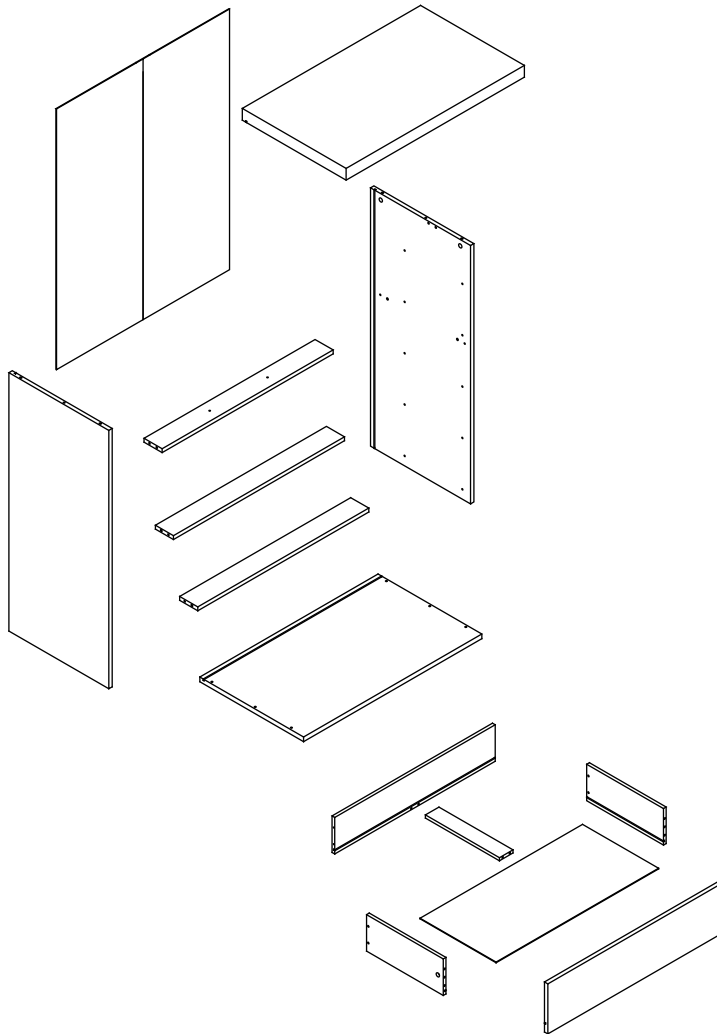
⑫		Nail Pin	5
⑬		Csk Screw (4.0 x 30mm)	3
⑭		Allen Wrench (M4)	1
⑮		Power Drill (not provided)	1
⑯		Hammer(not provided)	1
⑰		Screwdriver(not provided)	1

Tipover Restraint Device Hardware

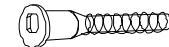
⑱		Metal Bracket	4
⑲		Wall Plug (25mm)	2
⑳		Pan Head Screw (M4 x 25)	2
㉑		Tipover Restraint Strap	2

Assembly Preparation

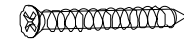
Before Beginning Assembly:



x19



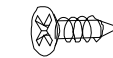
x5



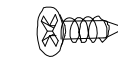
x21



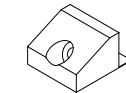
x21



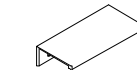
x59



x8



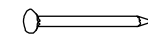
x8



x10



x53



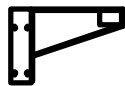
x5



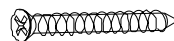
x9



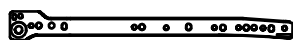
x11



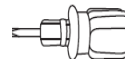
x4



x3



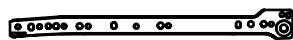
x5



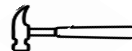
x1



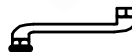
x4



x5



x1



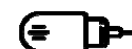
x1



x2



x5



x1



x2



x5



x2



• Read instructions, cover to cover-



• Have 2 adults on hand for assembly-



• Do not assemble on flooring or carpet-



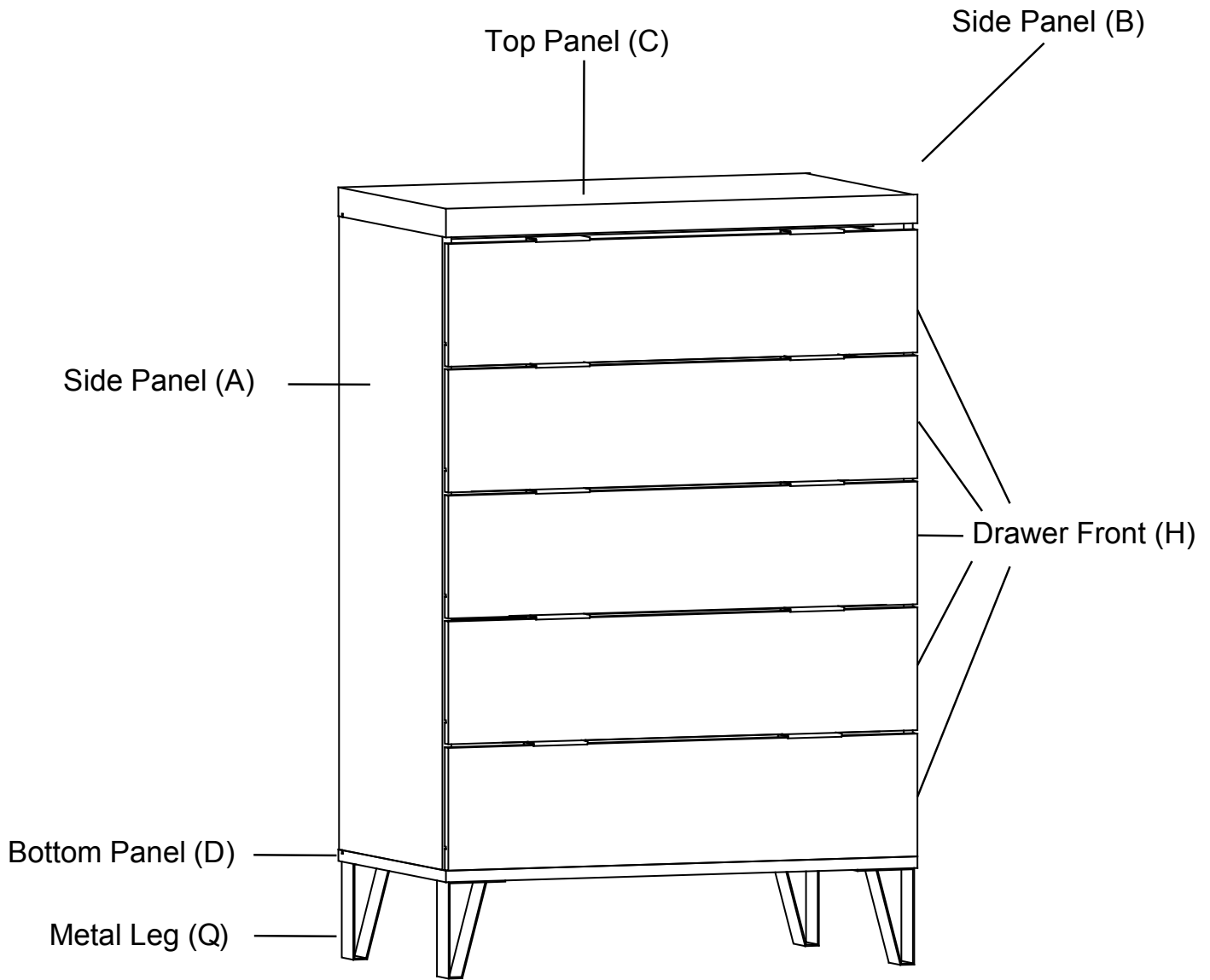
• Assemble on a clean non-marring surface (packing foam)-



• Save all packaging until finished-

Assembly Steps

Overview

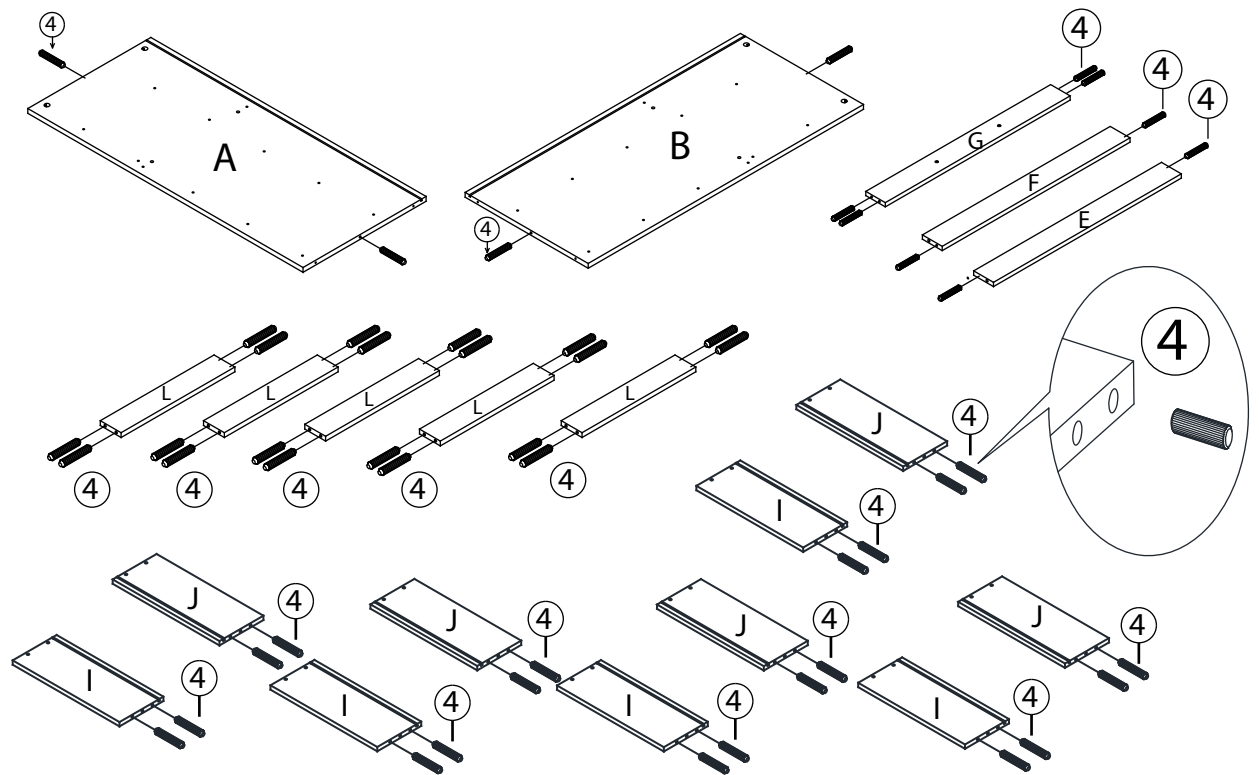


Front Facing

This Drawer Chest has multiple parts and may require up to 60 minutes to assemble. To give you an overview of the Drawer Chest parts, the above picture is to help you put the various parts into perspective. Please read through the instructions below to familiarise yourself with the parts and steps before assembly.

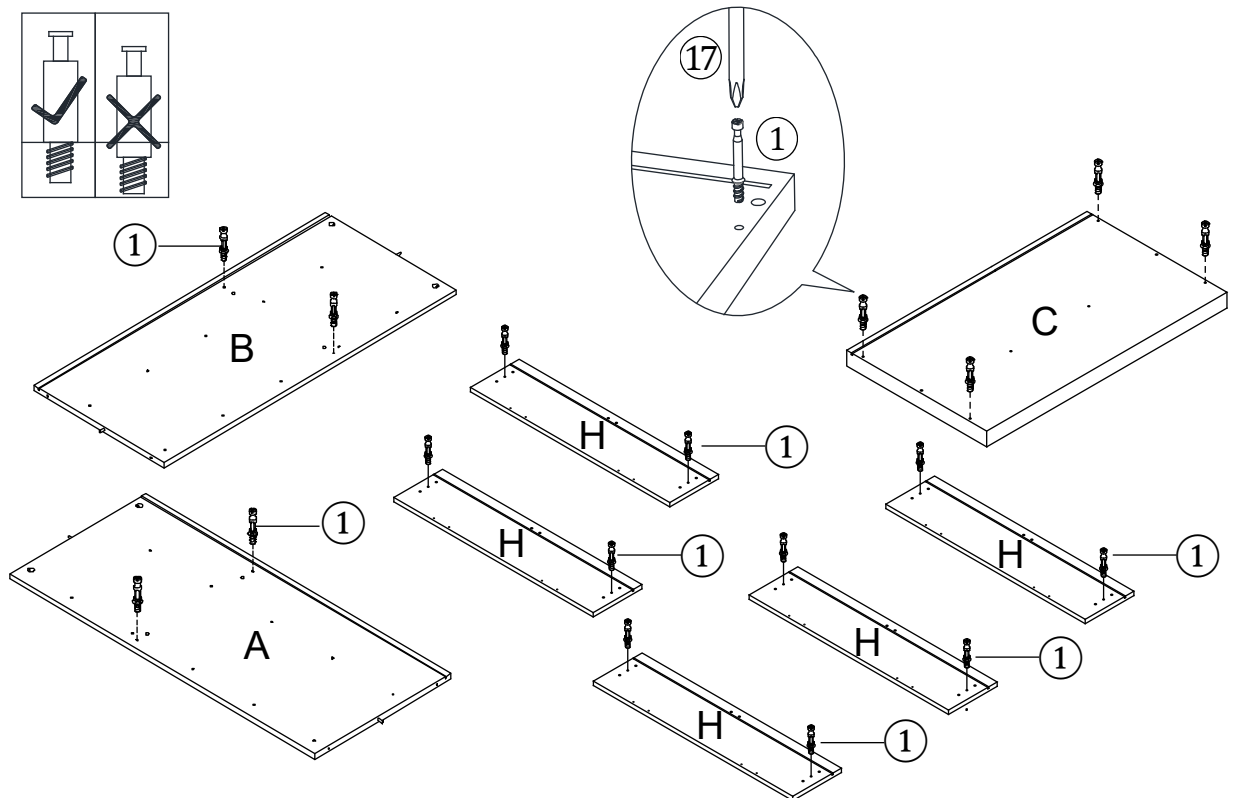
Assembly Steps

Step 1



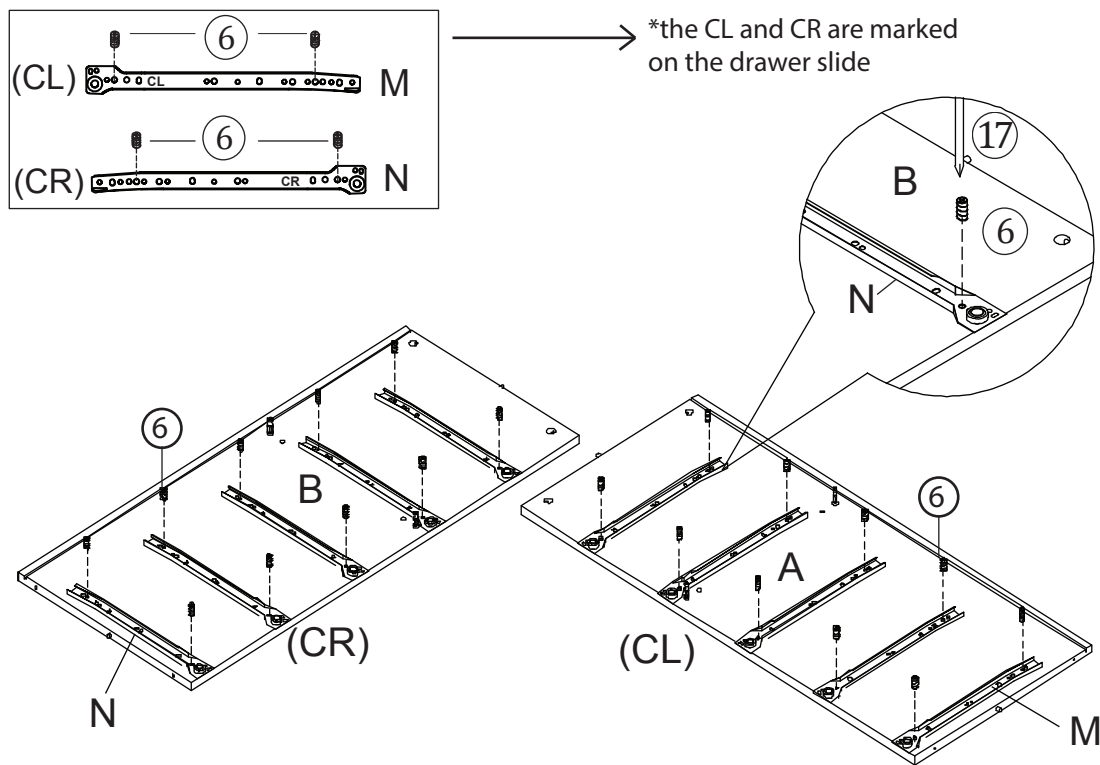
Unpack and place all parts on a clean, non-marring surface. Insert the positioning Dowels (④) into the mounting positions on the Side Panel (A), Side Panel (B) and Support Panel (E), Support Panel (F), Support Panel (G), Drawer Side Left (I), Drawer Side Right (J) and Drawer Support (L).

Step 2



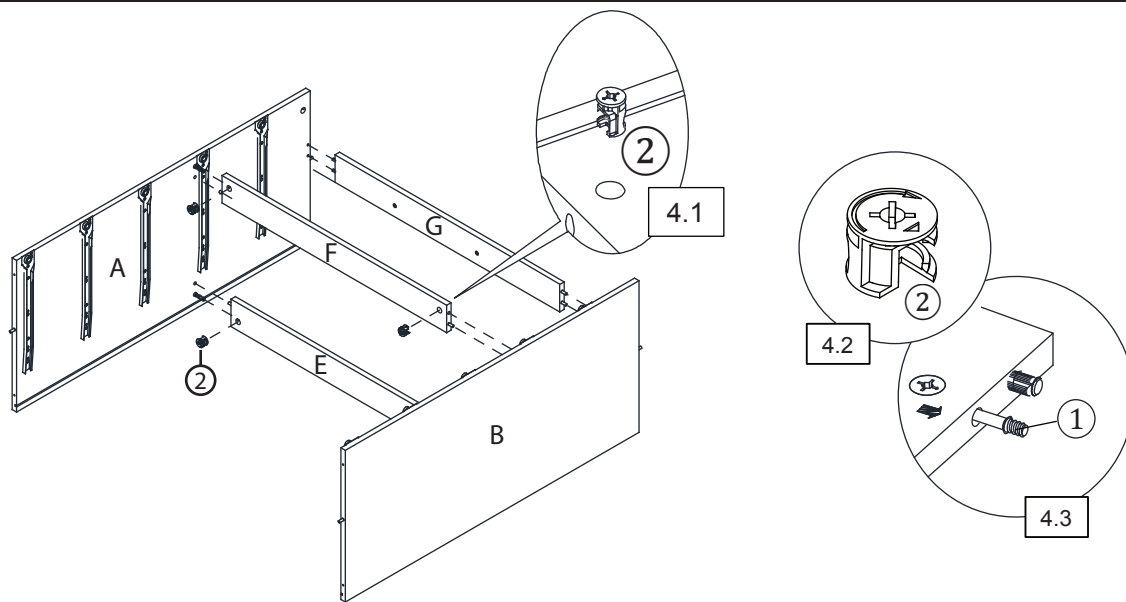
Attach Cam Bolts (①) into the mounting positions on the Side Panel (A), Side panel (B), Top Panel (C) and Drawer Front (H) with a screwdriver (⑰)

Step 3



Attach Drawer Slide CL (M) onto Side Panel (A) and attach Drawer Slide CR (N) onto Side Panel (B). Then use Euro Screws (6) to attach the Drawer Slides to the Side Panels.

Step 4



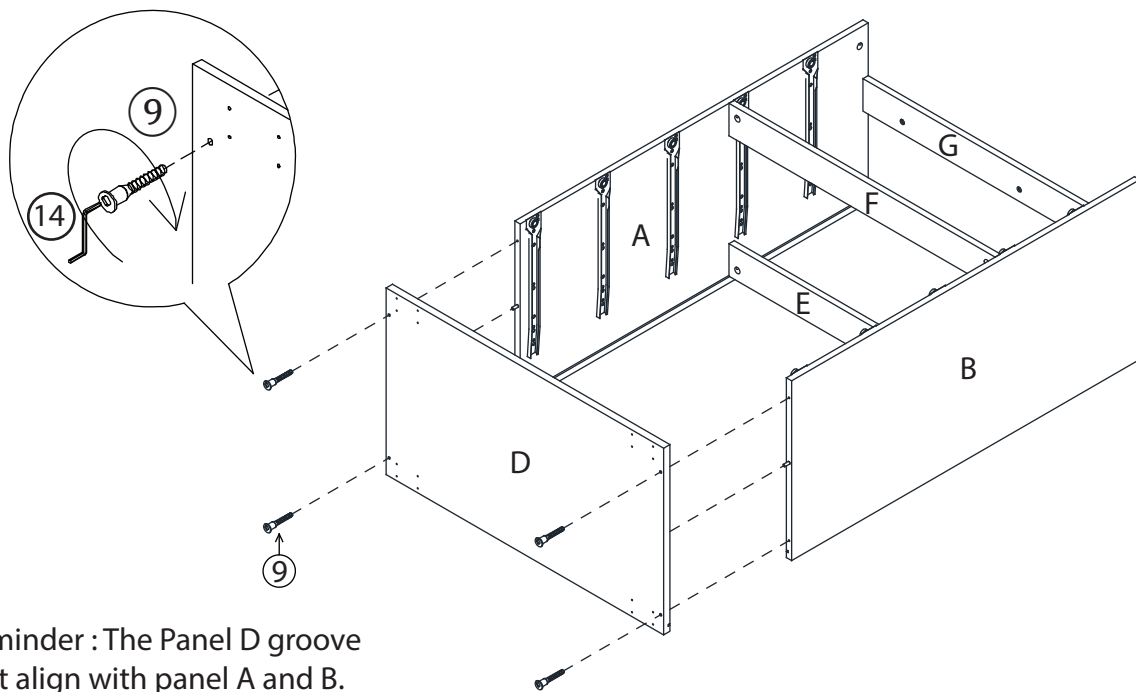
4.1) Insert Cam Locks (2) into the mounting positions on the Support Panel (E), Support Panel (F), and Support Panel (G) by hand.

4.2) Position the Cam Locks arrow (2) so it is directed towards the hole where the Cam Bolts (1) will be inserted.

4.3) Insert the Cam Bolts (1) to attach Side Panel (A) and Side Panel (B) to the mounting positions of Support Panel (E) and Support Panel (F) on both sides. Then, position the Cam Locks (2) arrow again away from the direction of the hole, using a Screwdriver (17).

Tighten the Screws fully in a sequential manner

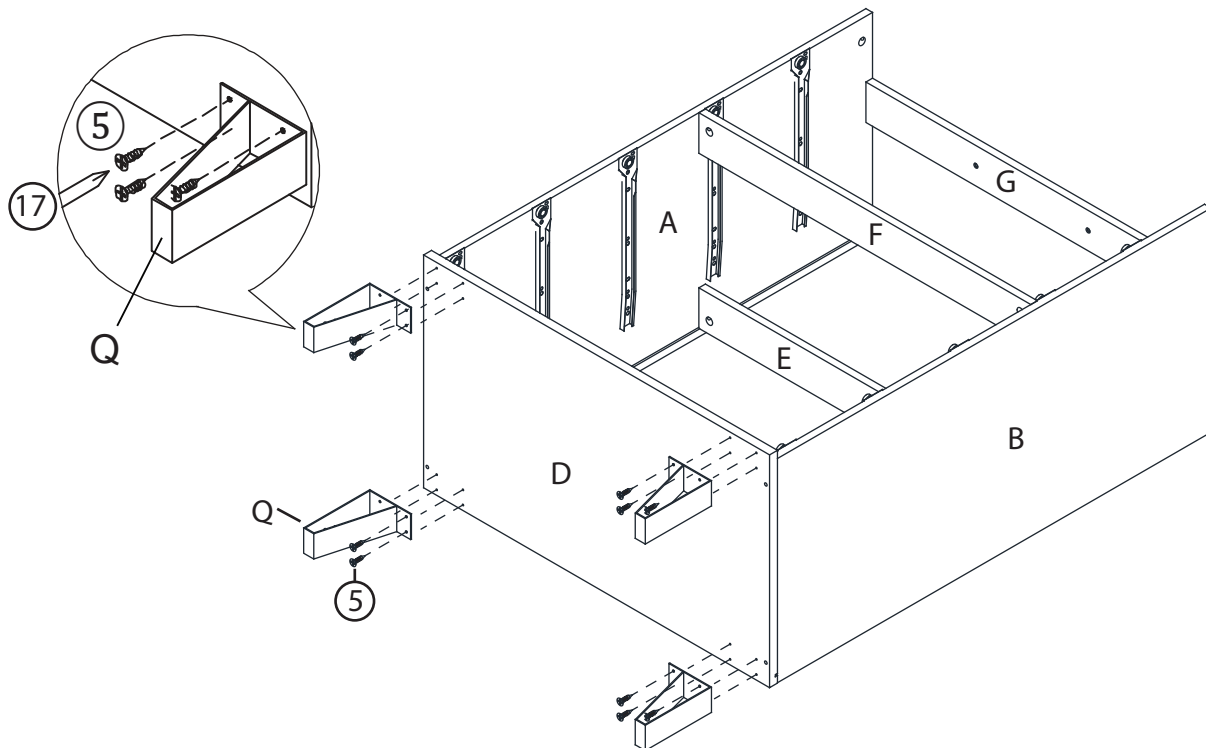
Step 5



*Reminder : The Panel D groove must align with panel A and B.

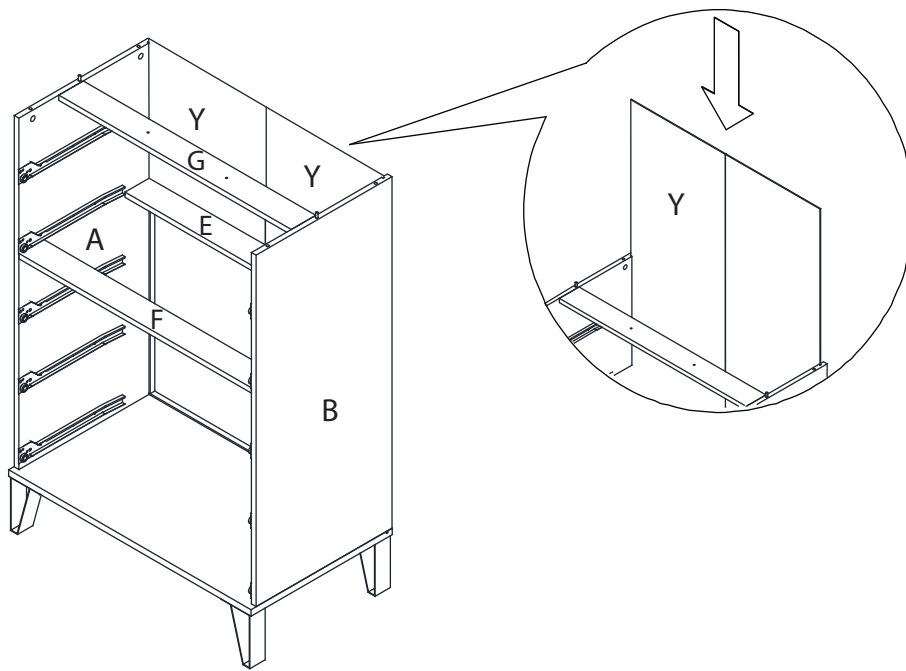
Make sure all panels which have grooves are facing each other
Attach the Bottom Panel (D) to the Panel (A) and Panel (B) using the Unitar Screws(9) and the Allen Wrench(14).

Step 6



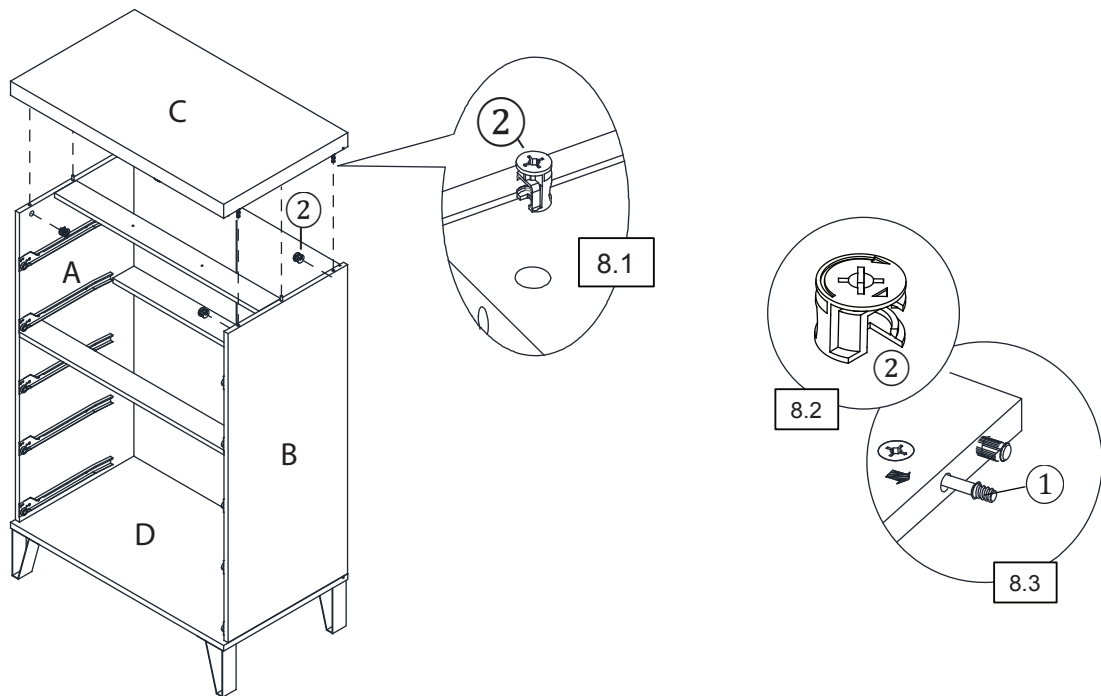
Follow the preholes at the Bottom Panel (D), then attach the Metal Legs (Q) by screwing in four Csk Screws (5) using the Screwdriver (17).

Step 7



Insert the Back Panel (Y) along the slots on the Side Panel (A) and Side Panel (B).

Step 8



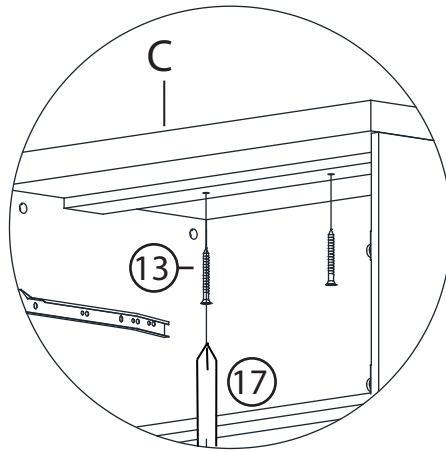
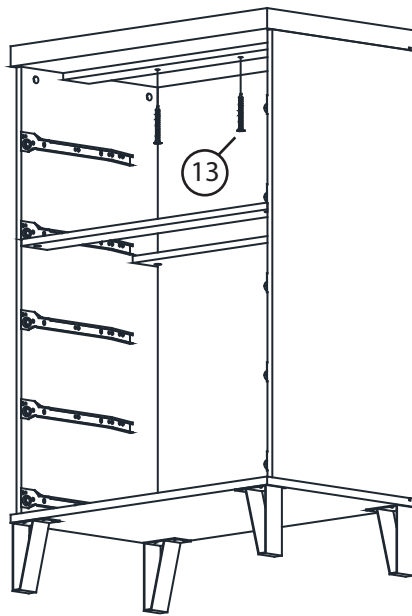
8.1) Insert Cam Locks (②) into the mounting positions on the Side Panel (A) and Side Panel (B) by hand.

8.2) Position the Cam Locks arrow (②) so it is directed towards the hole where the Cam Bolts (①) will be inserted.

8.3) Insert the Cam Bolts (①) that attach at the Top panel (C) to the mounting positions on Side Panel (A) and Side Panel (B) on both sides. Then, position the Cam Locks (②) arrow away from the direction of the hole, using the Screwdriver (⑰).

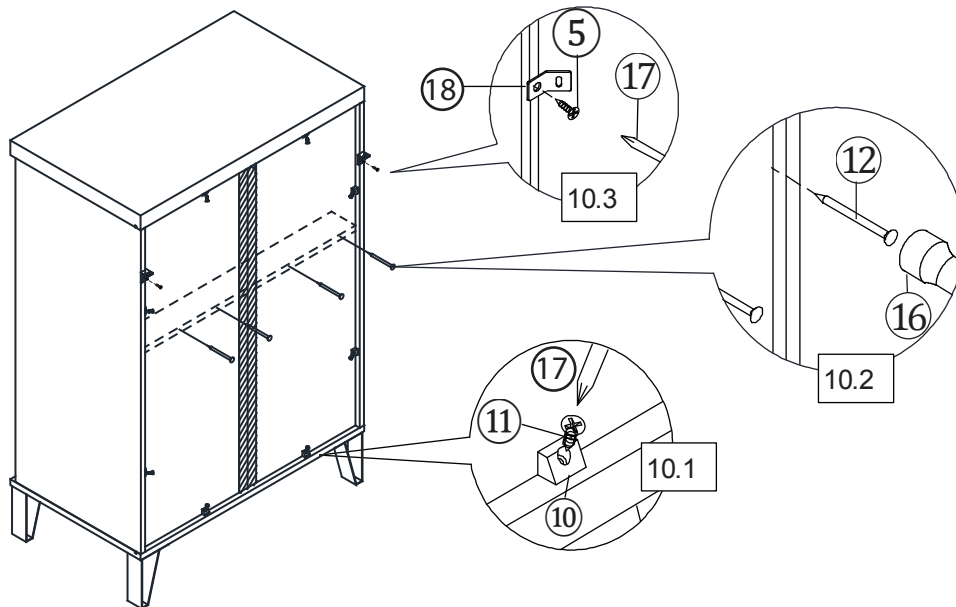
Tighten the Screws fully in a sequential manner

Step 9



Insert Csk Screws (13) to the Support Panel (G) and attach to the Top Panel (C) using the Screwdriver (17).

Step 10

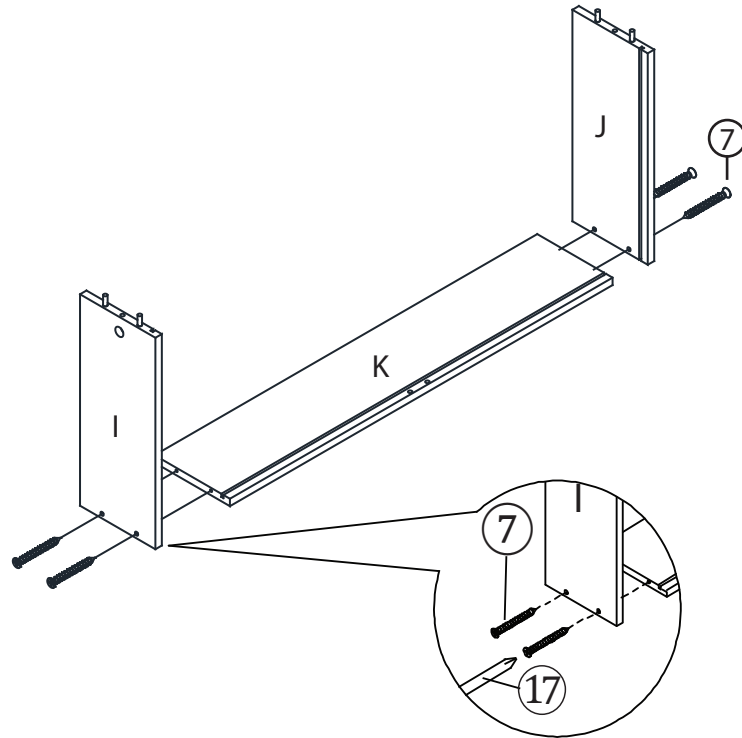


10.1) Attach Backply Stoppers (10) to the Back Panel (Y) using Csk Screws (11).

10.2) Hammer the Nail Pins (12) into the Back Panel (Y) to secure the position, using a Hammer (16).

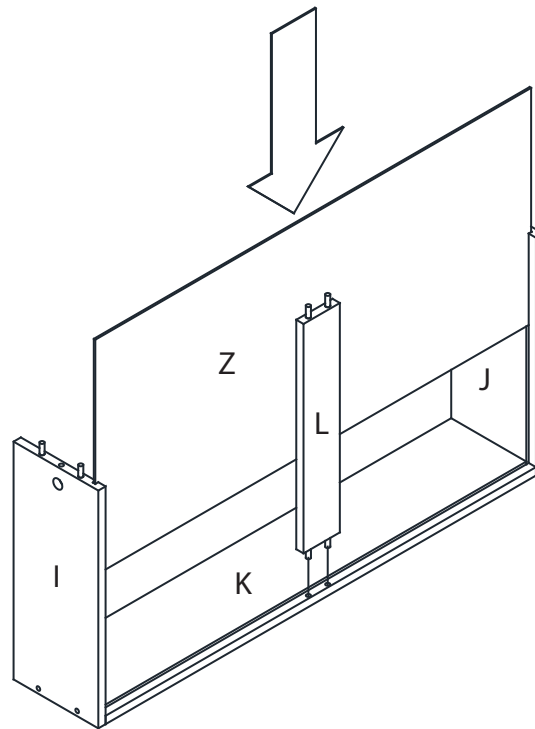
10.3) Attach Metal Brackets (18) to the edge of prehole on Side Panel (A) and Side Panel (B) using Csk Screws (5) and the Screwdriver (17).

Step 11



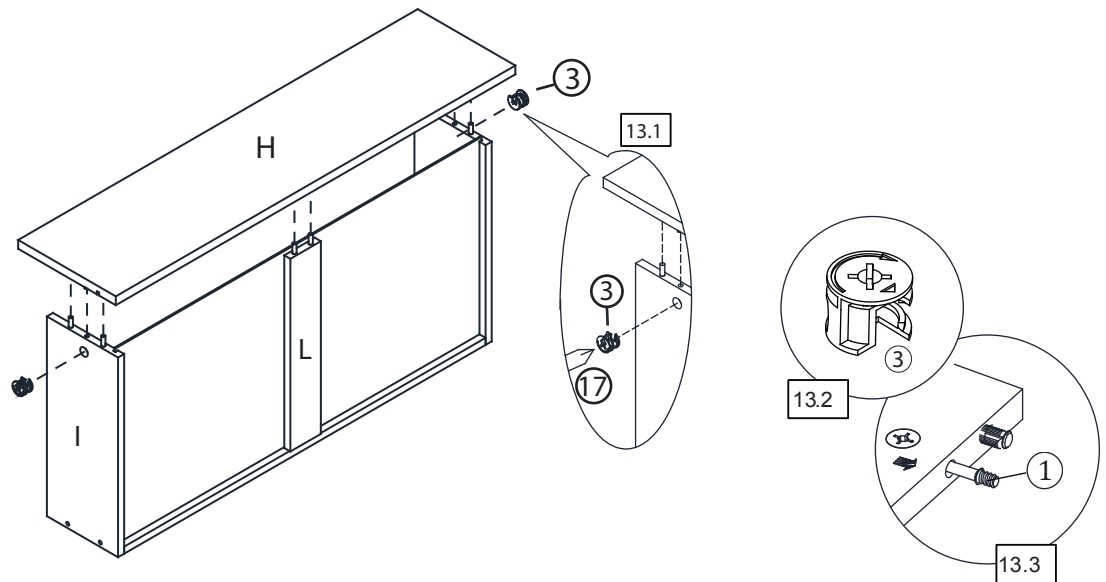
Attach the Drawer Side Right (J) and Drawer Side Left (I) to Drawer Back (K) using Csk Screws (7) and the Screwdriver (17).

Step 12



Insert the Drawer Bottom (Z) and Drawer Support (L) along the slot on the Drawer Side Right (J) and Drawer Side Left (I).

Step 13



13.1) Insert Cam Locks (③) into the mounting positions on the Drawer Side Right (J) and Drawer Side Left (I) By hand.

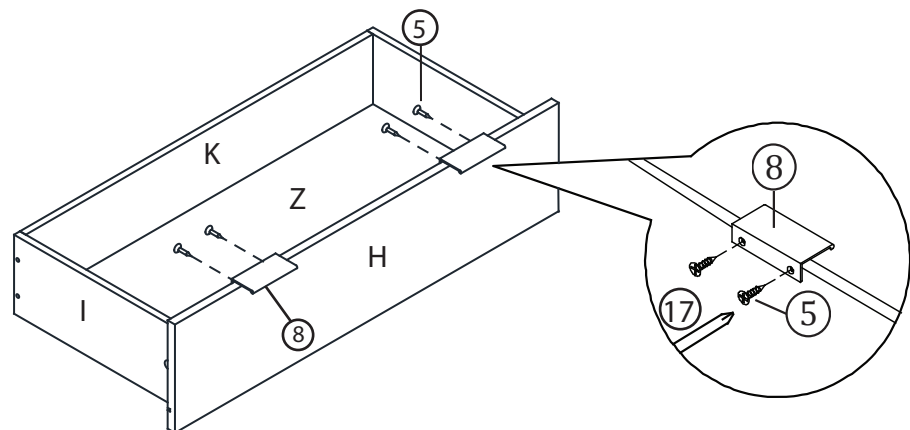
13.2) Position the Cam Locks arrow(③) so it is directed towards the hole where the Cam Bolts (①) will be inserted.

13.3) Insert Cam Bolts (①) that attach at Drawer Front (H) to the mounting positions on the Drawer Side Right (J) and Drawer Side Left (I).

Then, position Cam Locks (③) arrow away from the direction of the hole, using the Screwdriver (⑰).

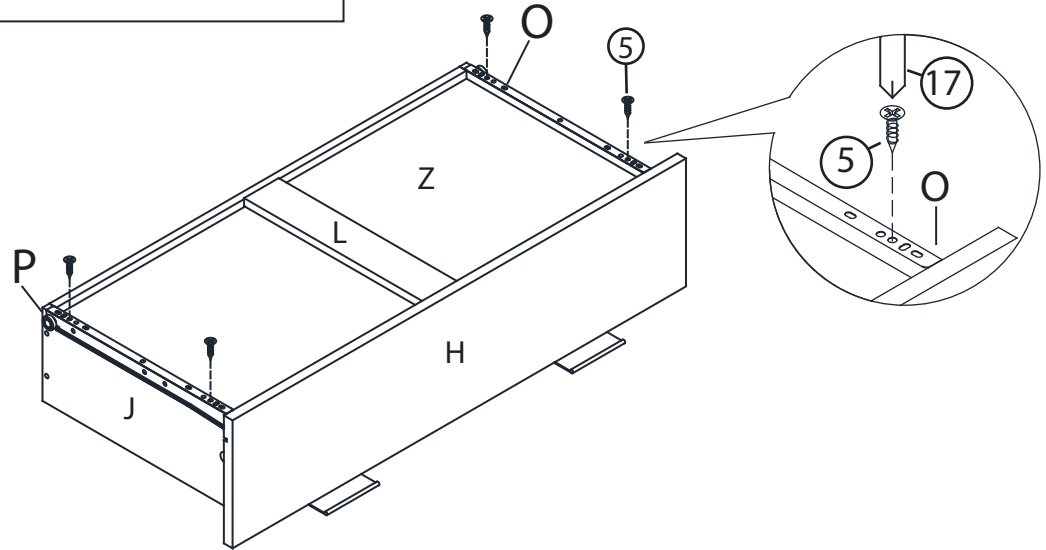
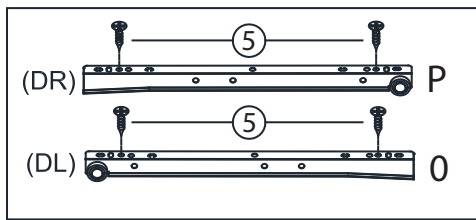
Tighten the screws fully in a sequential manner

Step 14



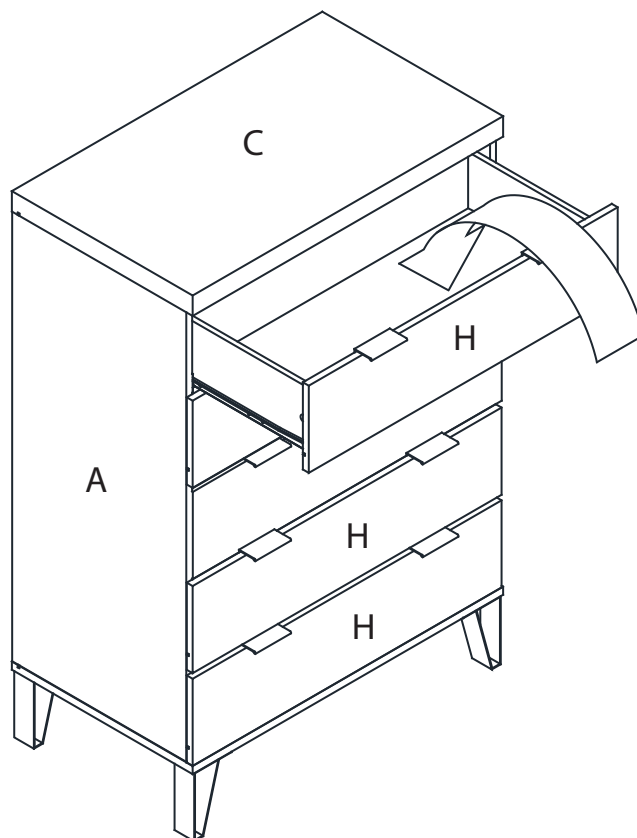
Follow the preholes, attached the L-Shape Handle (⑧) onto the Drawer Front (H) and secure with two Csk Screws (⑤) using the Screwdriver (⑰) for each handle.

Step 15



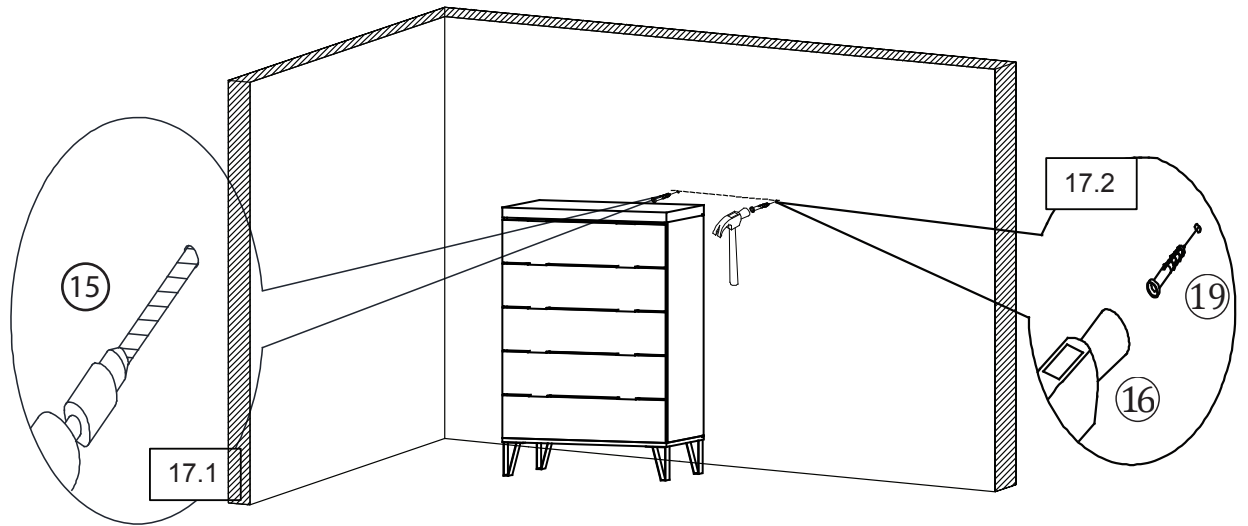
Place the Drawer Slide DR (P) onto the Side Drawer Right (J) and place Drawer Slide DL (O) onto the Drawer Side Left (I) and secure them using two Csk screws (5) and the Screwdriver (17) on each side.

Step 16



Slide each drawer into its place.

Step 17



17.1) Using a Power Drill(15), drill two holes into the wall at the same height as the Metal Brackets(18) that you have placed on the 5 Drawer Wide Chest.

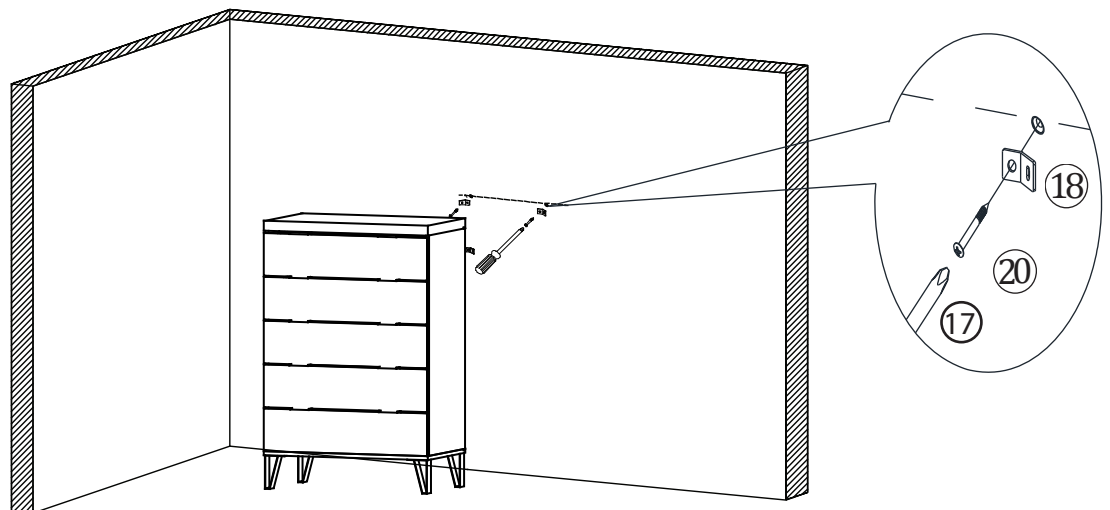
You can mark these points in the following ways:

- 1) Measure the height of the Metal Brackets(18) with a ruler/measuring tape and mark on the wall.
- 2) Mark two points on the wall, the same height as the Metal Brackets on the back side.

Note: The Metal Brackets need to be secured to a solid, load bearing surface. Please use a Stud Finder (not supplied) if needed to locate the Wall Frame

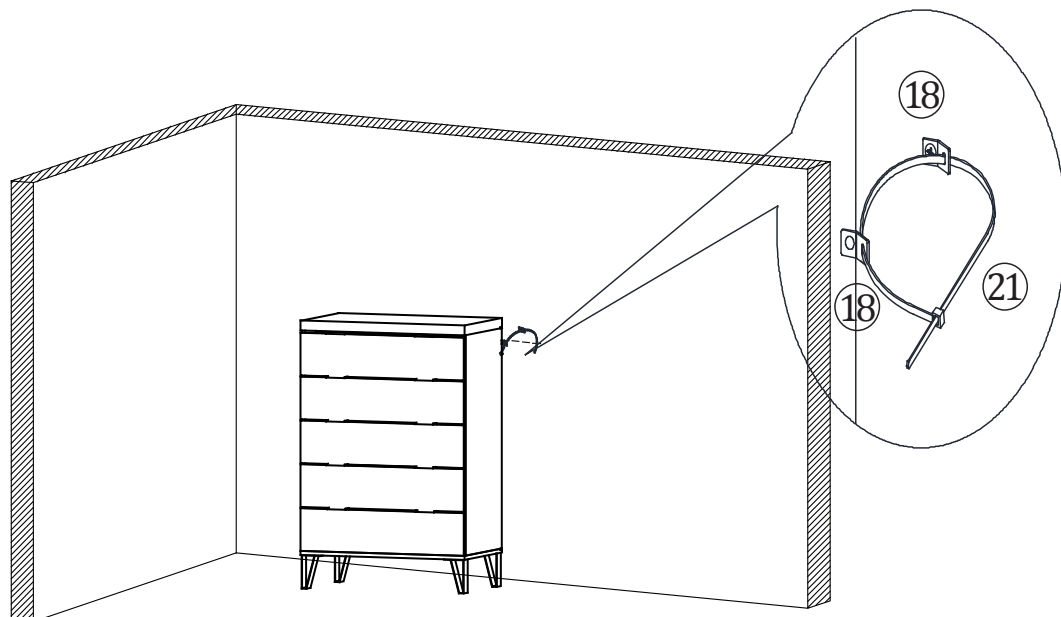
17.2) Insert the Wall Plugs(19) into the holes in the wall, using a Hammer(16).

Step 18



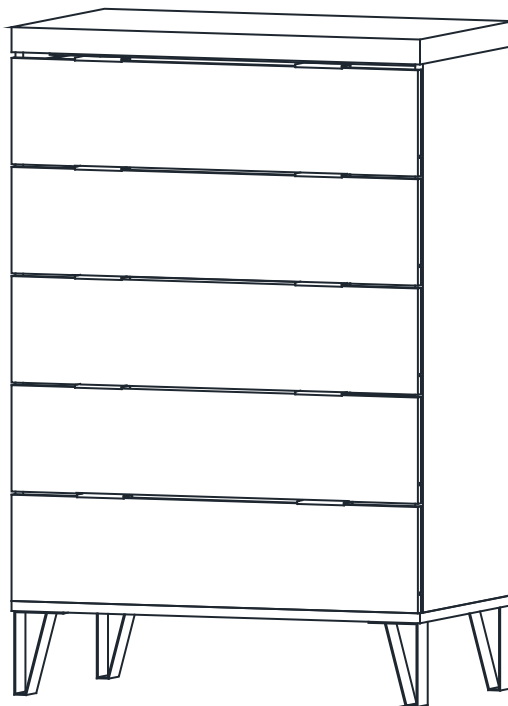
Attach the Metal Brackets(18) to the Wall Plugs(19) using Pan Head Screws(20) and a Screwdriver(17).

Step 19



Move the 5 Drawer Wide Chest back against wall. Pull the Tipover Restraint Straps(21) through the Metal Brackets(18) on the wall and the 5 Drawer Wide Chest one by one, and pull the Tipover Restraint Straps(21) tight.

Step 20



Your 5 Drawer Wide Chest is ready for use.

This 5 Drawer Wide Chest can only be used on a flat, level surface

Care & Maintenance



- Furniture may scratch floors. We recommend using furniture pads to protect your floors.



- Do not put hot items directly on furniture surface.



- Do not clean furniture with harsh cleansers or polish.



- Do not place furniture under direct sunlight.



- Do not place furniture near heating or cooling vents.



- Do not write on furniture without a padded barrier to protect the surface.



- Do not place furniture outside . For indoor use only.



- Not for commercial use. For residential use only.



- Stains may be removed with mild soap solution and damp cloth.



- Children should not climb or jump on the furniture.



- Dust and pick-up spills using a clean, non-colored, lint-free cloth.