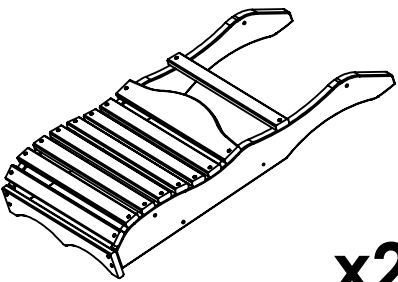
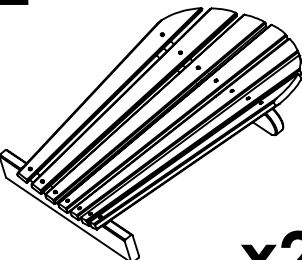
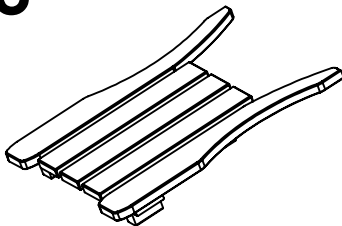
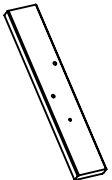
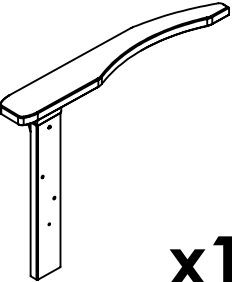
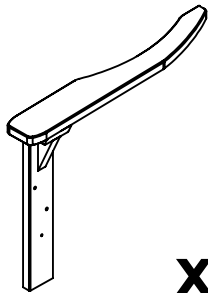
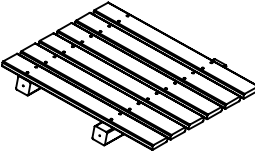
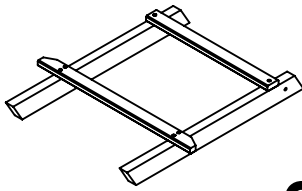
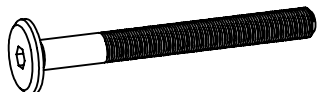

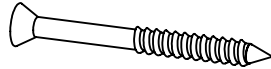
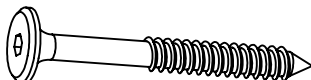
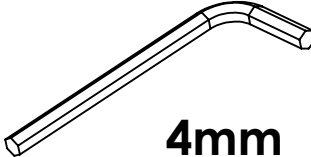
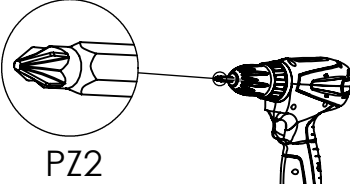
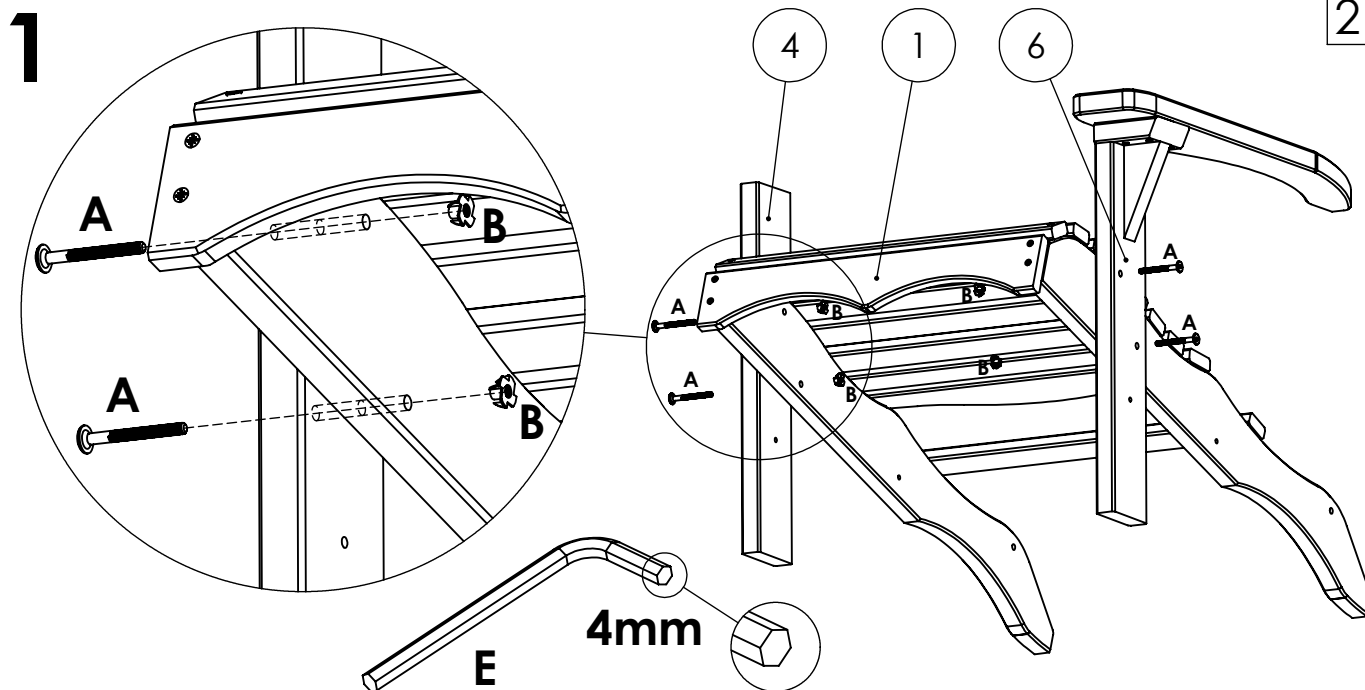
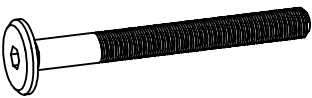

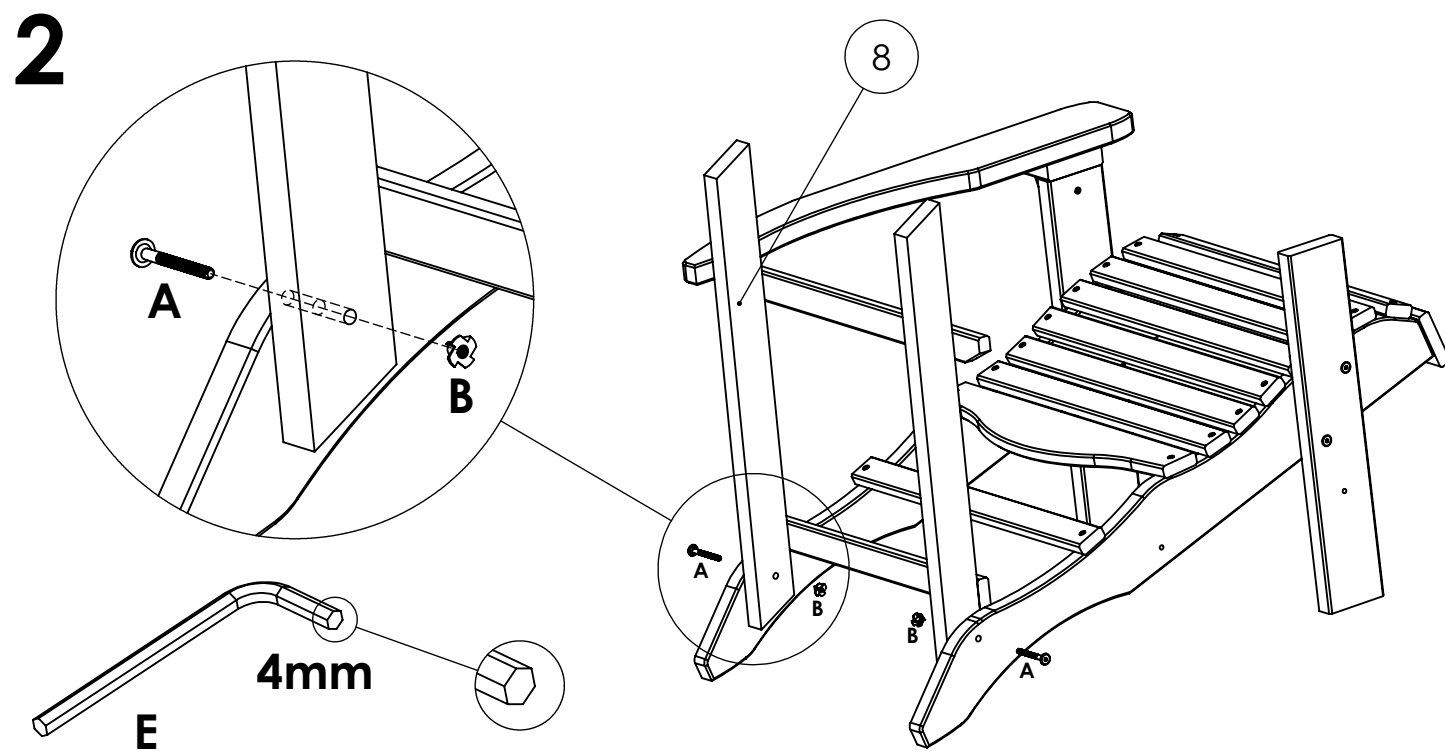


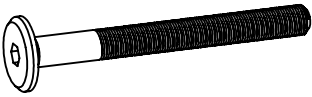

<p>1</p>  <p>x2</p>	<p>2</p>  <p>x2</p>	<p>3</p>  <p>x1</p>	<p>4</p>  <p>x2</p>
<p>5</p>  <p>x1</p>	<p>6</p>  <p>x1</p>	<p>7</p>  <p>x1</p>	<p>8</p>  <p>x2</p>

<p>A</p>		<p>M6x60</p>	<p>x12</p>
<p>B</p>		<p>M6</p>	<p>x12</p>
<p>C</p>		<p>5x50</p>	<p>x20</p>
<p>D</p>		<p>5x60</p>	<p>x4</p>
<p>E</p>	 <p>4mm</p>	 <p>PZ2</p>	

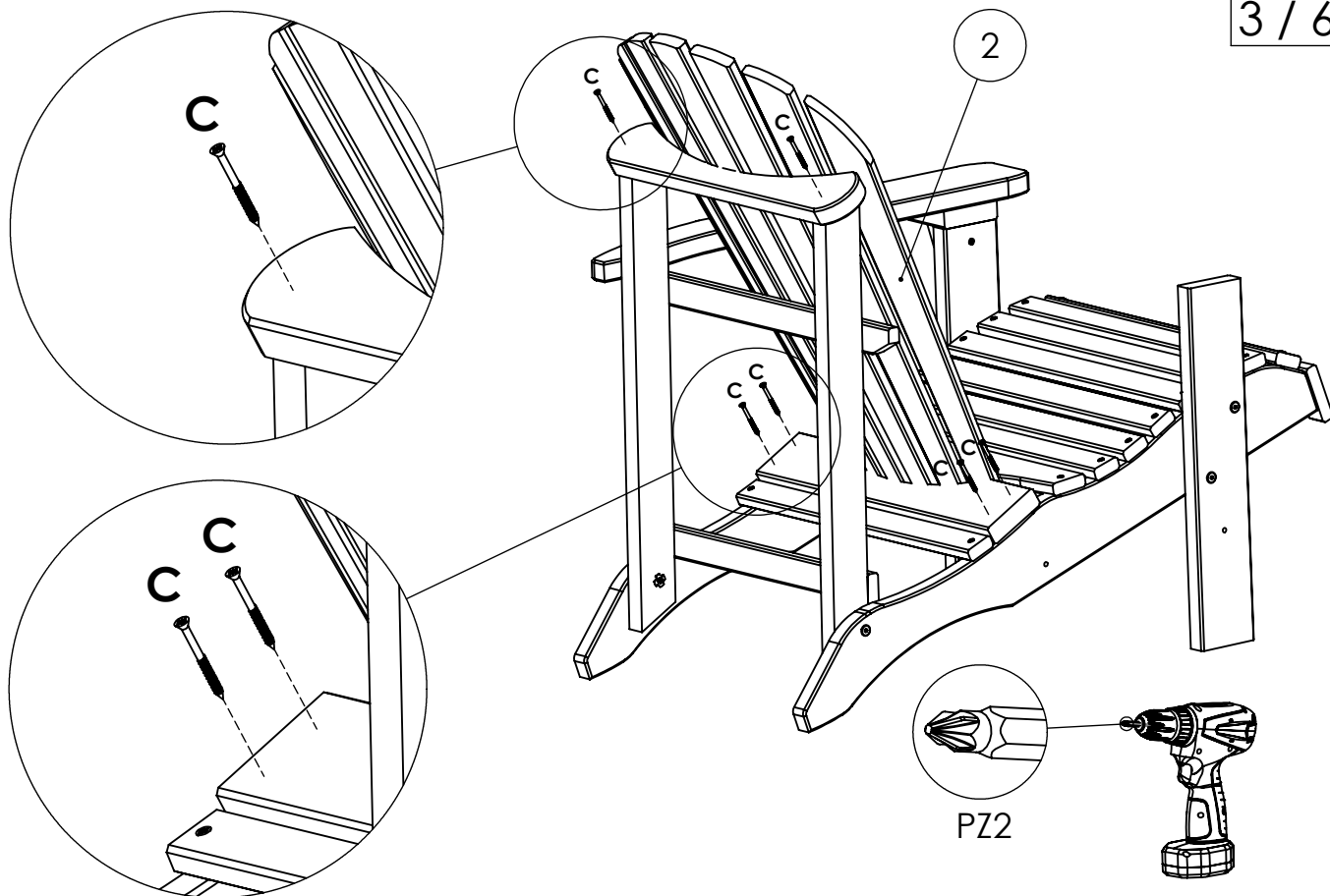


A		M6x60	x4
B		M6	x4

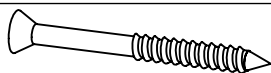


A		M6x60	x2
B		M6	x2

3



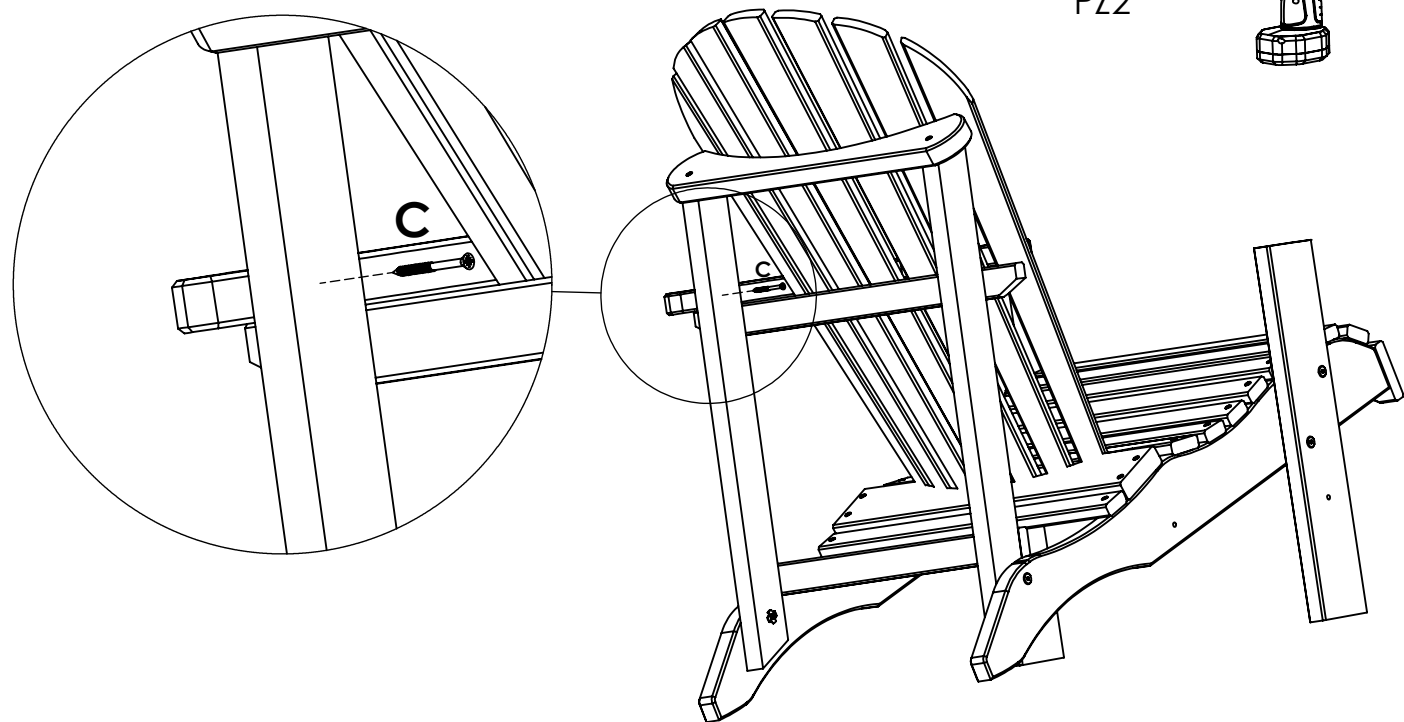
C



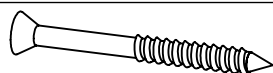
5x50

x6

4

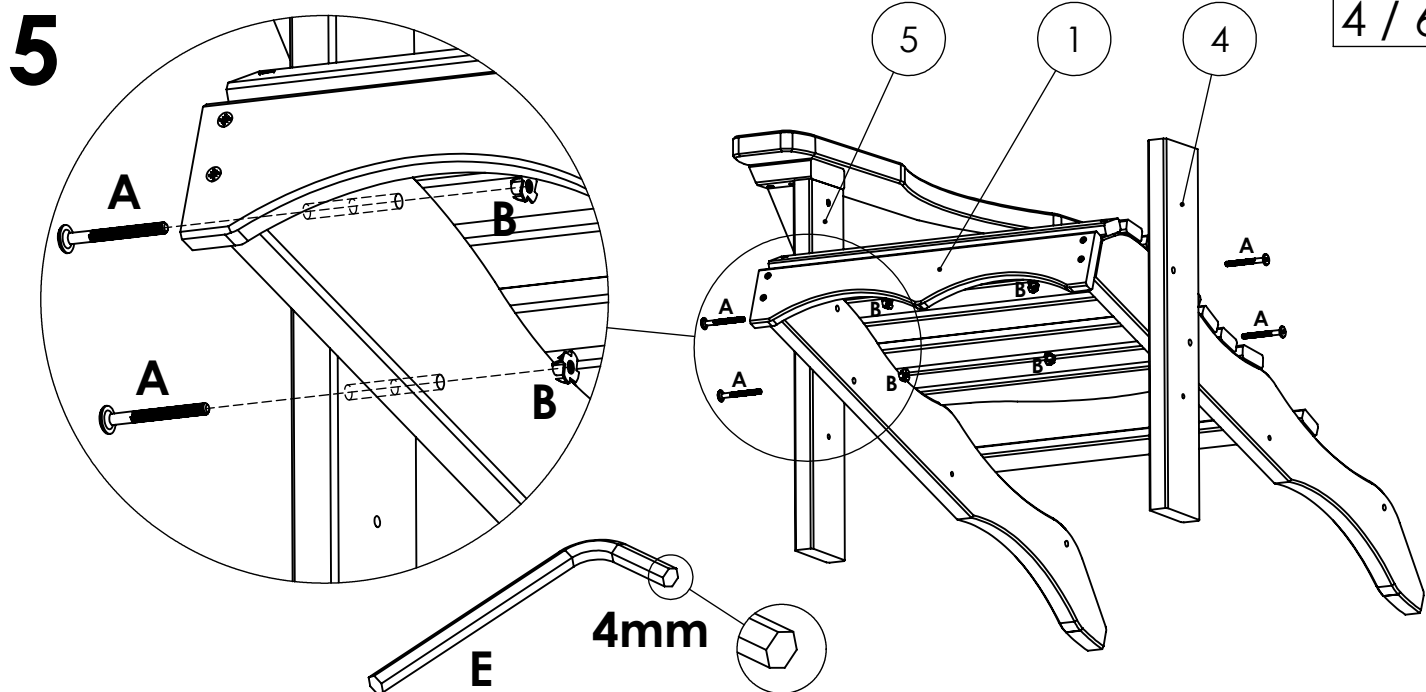



C

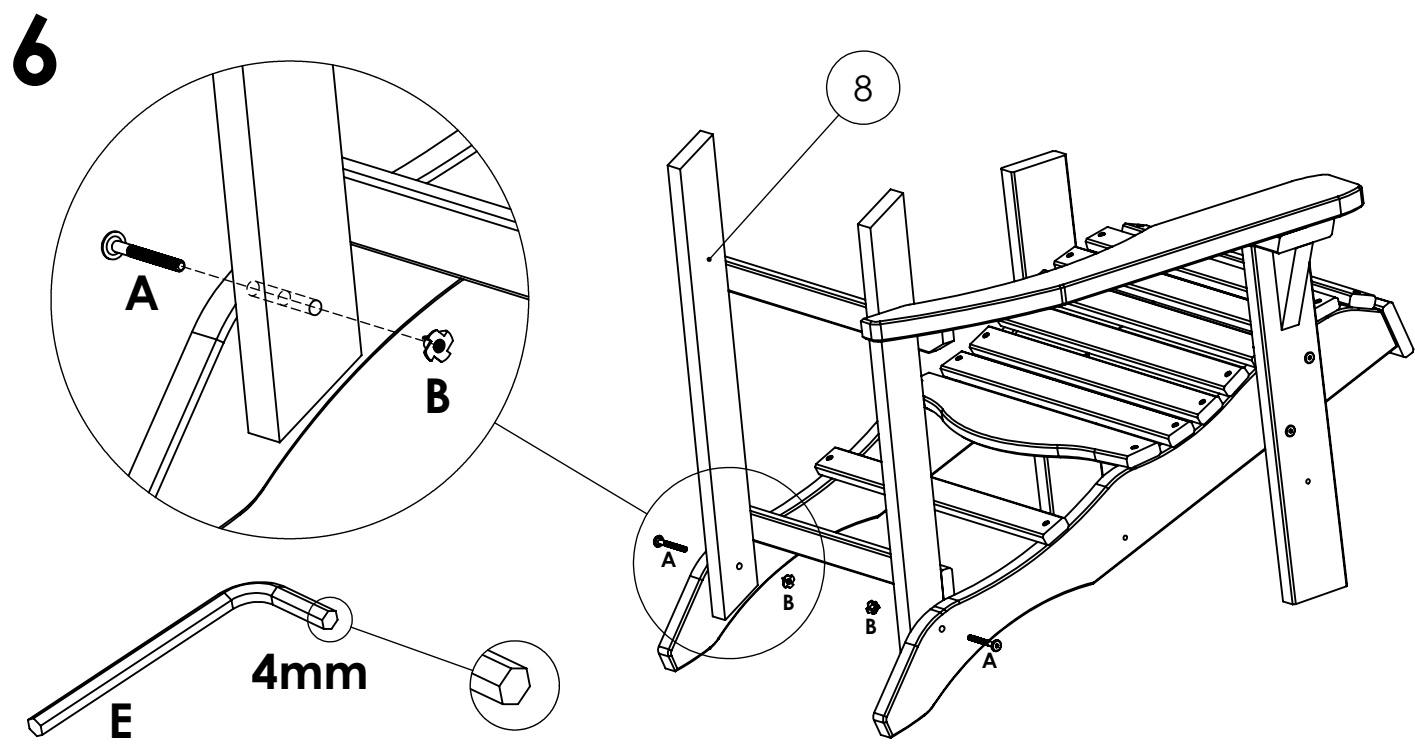


5x50

x1

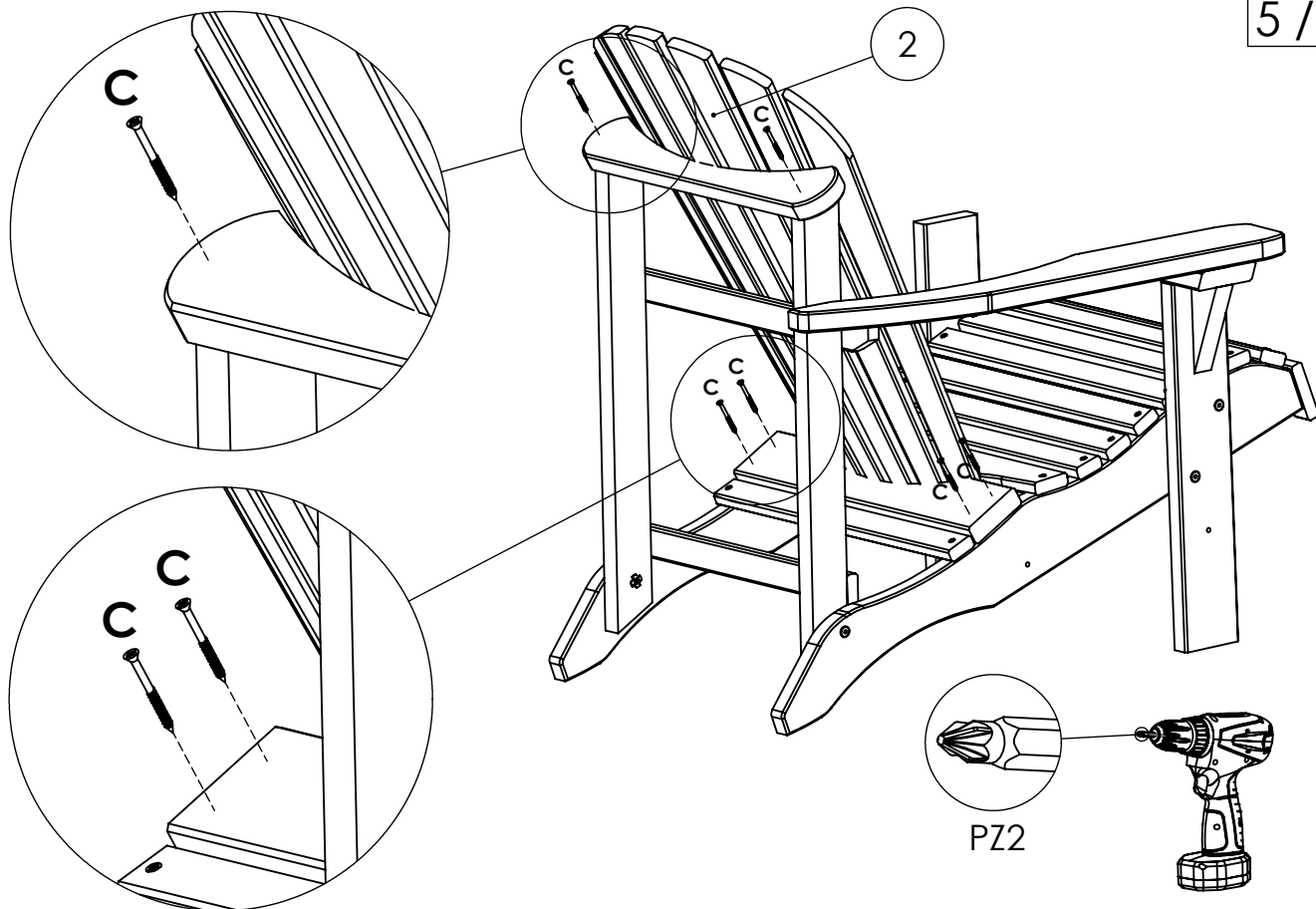


A		M6x60	x4
B		M6	x4

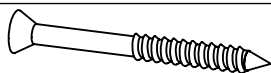


A		M6x60	x2
B		M6	x2

7



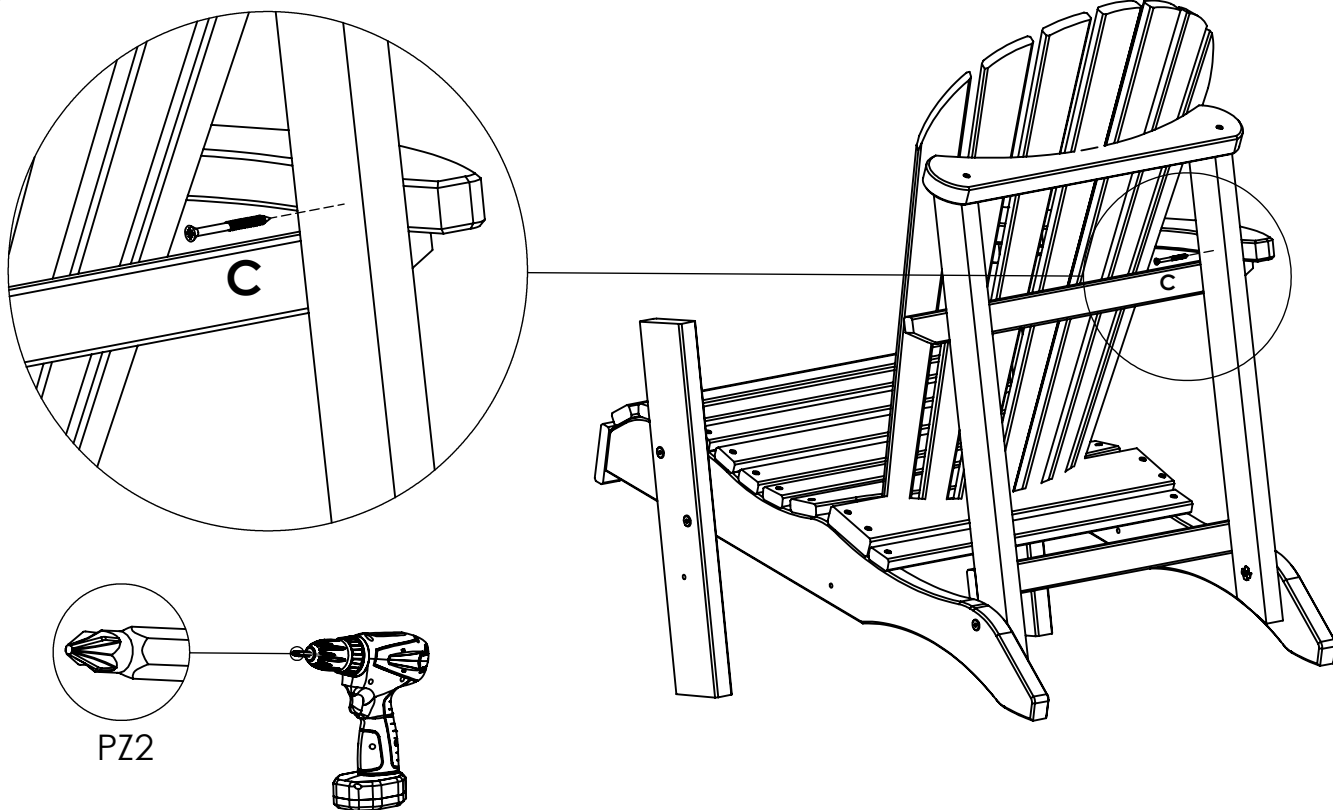
C



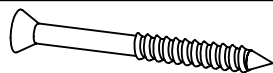
5x50

x6

8



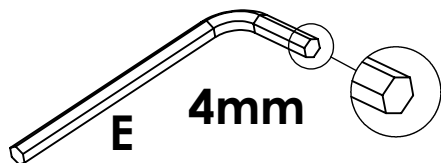
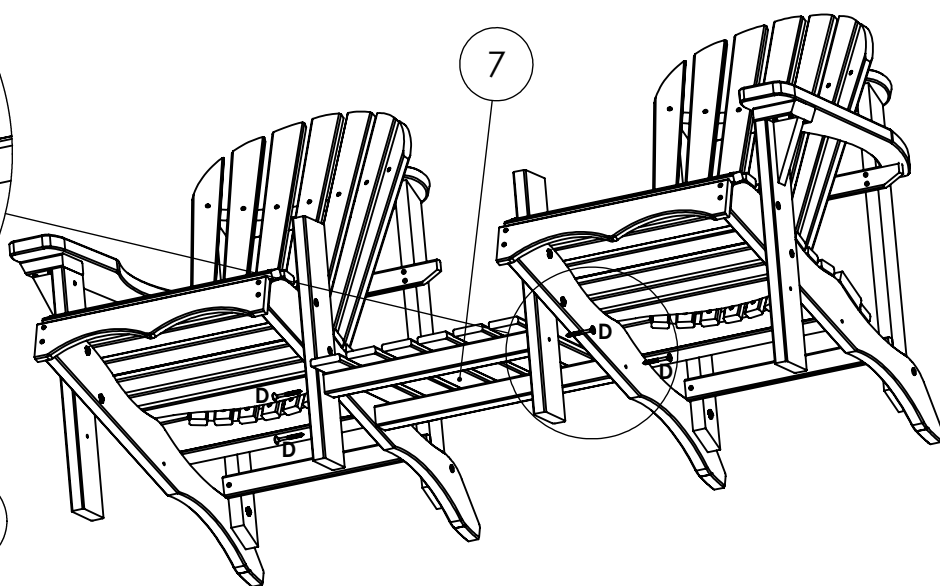
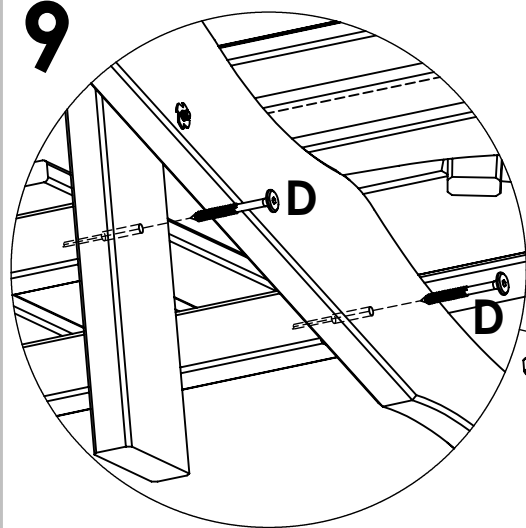
C

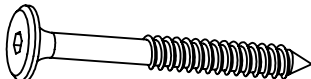


5x50

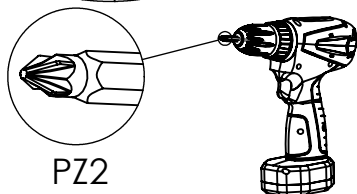
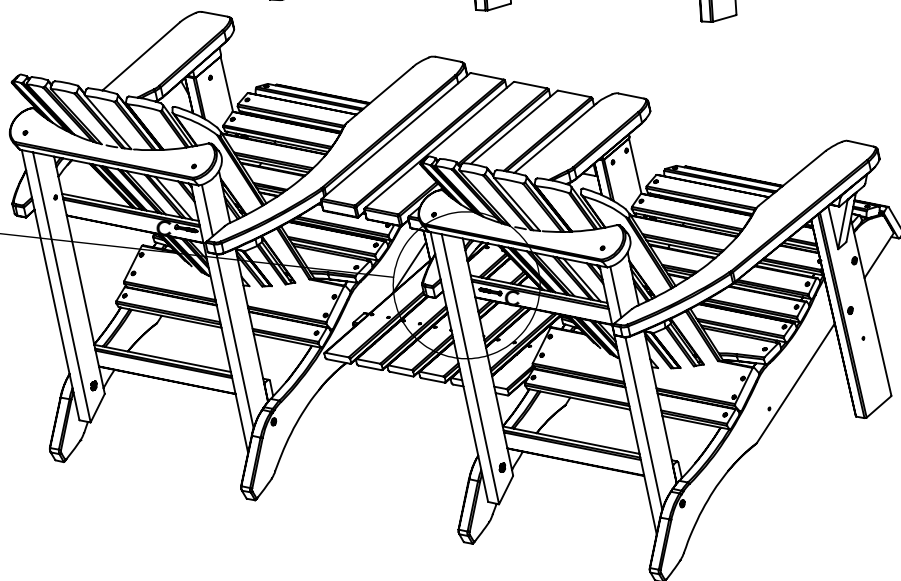
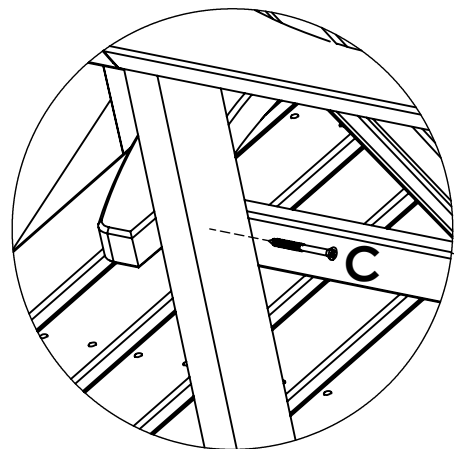
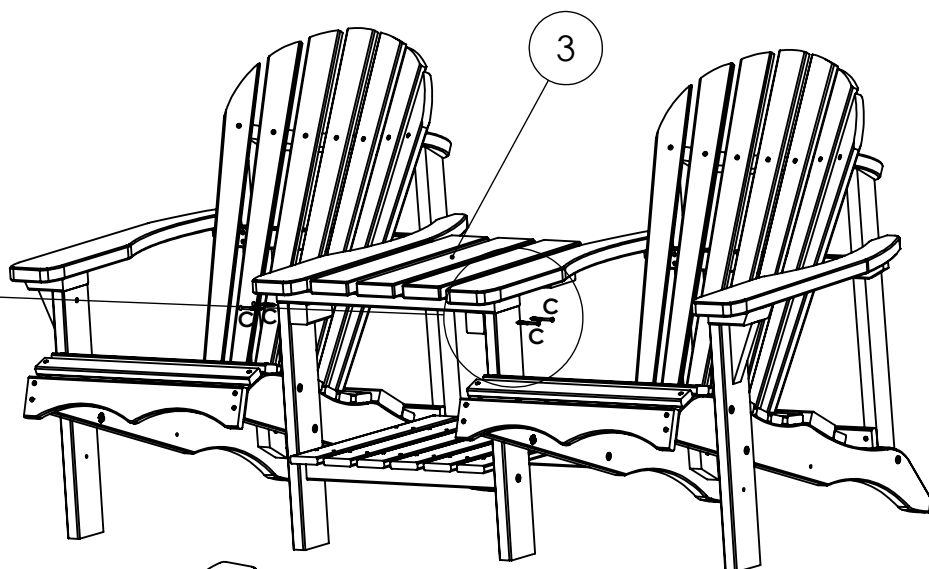
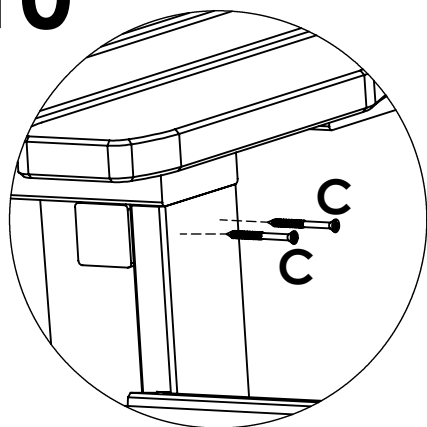
x1

9



D		5x60	x4
----------	---	-------------	-----------

10



C		5x50	x6
----------	---	-------------	-----------